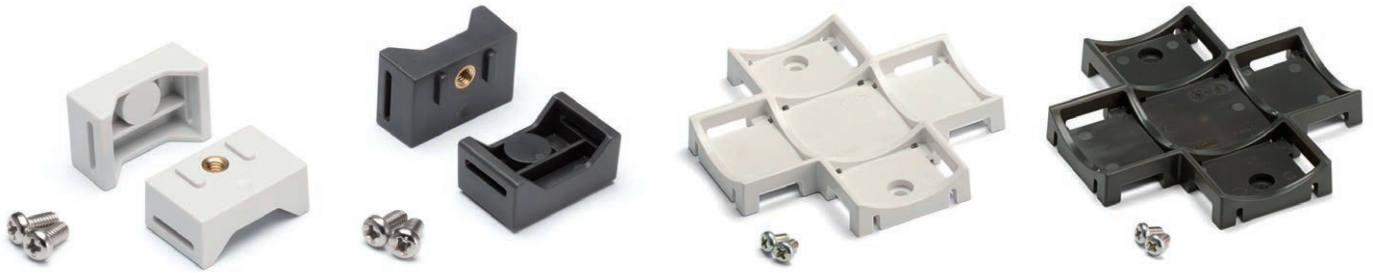


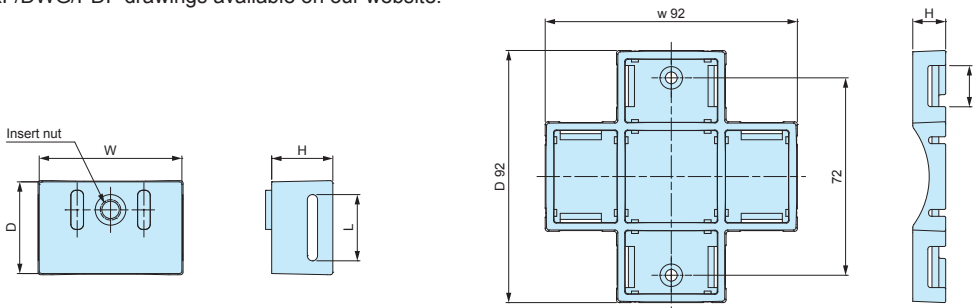
WPMB SERIES

POLE MOUNT BRACKET

← NEW SIZE



- Pole mount bracket made from weather resistant ASA material.
- Hole milling is not required when installing the mount bracket, thus allowing the enclosure to maintain its IP67 protection.
- WPMB-M4-2 can be used both for vertical and horizontal installation.
- Together with WPMB series, the PKB series mounting belt enables the unit to be mounted onto a pole.
- DXF/DWG/PDF drawings available on our website.



Color Type

| Code | Color |
|------|------------|
| G | White gray |
| D | Dark Gray |

WPMB-M3 □ WPMB-M4

WPMB-M4-2

Product no. / Dimensions

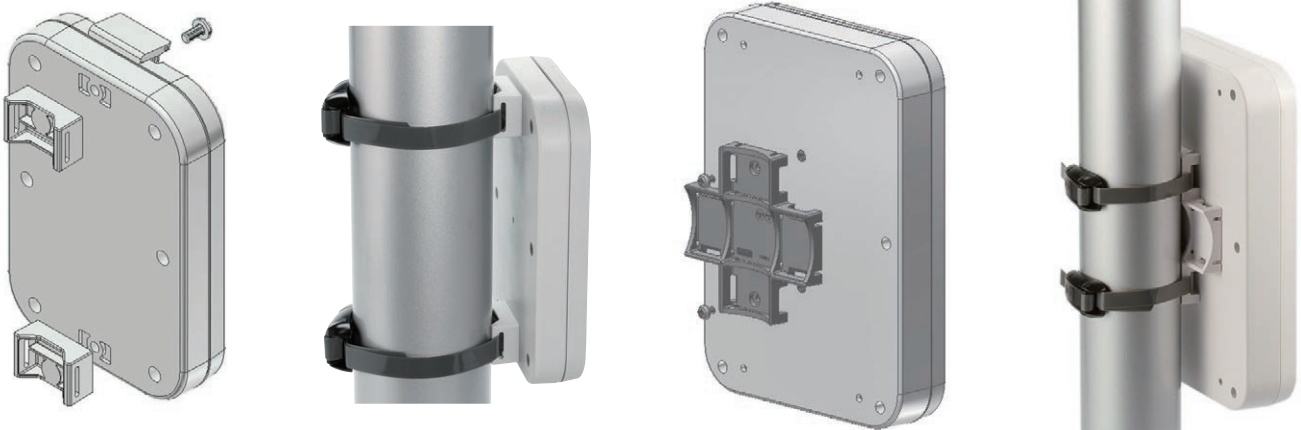
■ Please suffix color code at the end of the product number.

| Product no. | Dimensions | | | | Material / Finish | Screw | Suitable enclosures | Recommended torque (N · m) | Weight (g) | Pack of |
|------------------------|------------|----|-----|----|-------------------|------------------------------|---|----------------------------|------------|----------|
| | W | D | H | L | | | | | | |
| WPMB-M3 □ | 18 | 14 | 9.5 | 11 | ASA UL94HB | Stainless steel M3-6 x 2 pcs | WP5-7-2 • 5-7-3 • 6-8-2 • 6-8-3 • 8-8-2 • 8-8-4 • 8-10-2 • 8-10-4 | 0.4 ~ 0.45 | 3 | 2 (pair) |
| WPMB-M4 □ | 28 | 18 | 12 | 13 | ASA UL94HB | Stainless steel M4-8 x 2 pcs | WP9-13-3 • 9-13-4 • 10-10-3 • 10-10-4 • 11-15-3 • 11-15-4 • 13-18-3 • 13-18-5 | 0.45 ~ 0.5 | 10 | 2 (pair) |
| NEW WPMB-M4-2 □ | 92 | 92 | 12 | 13 | ASA UL94HB | Stainless steel M4-6 x 2 pcs | WP15-15-4 • 15-15-6 • 15-21-4 • 15-21-6 • 20-20-5 • 20-20-7 • 20-28-5 • 20-28-7 | 0.45 ~ 0.5 | 24 | 1 |

■ Recommended torque listed is for reference only; actual may differ. Assemble after testing torque.

WPMB-M3/WPMB-M4

WPMB-M4-2





PKB-10PM, 10P

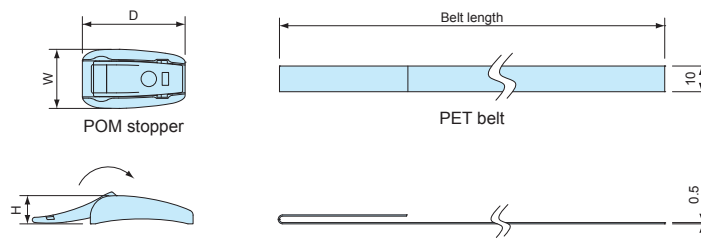


PKB-10S, 20S

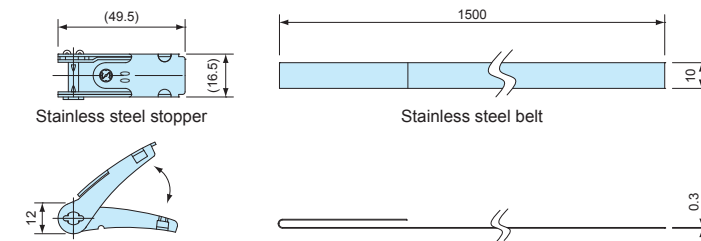
- New shorter belt type PKB-10PM is available for $\phi 25$ to $\phi 60$ mm poles. Other belt types are for $\phi 60$ to $\phi 400$ mm poles.
- Designed for one time use only (not reusable).
- Strong stainless steel clamping type and easy installation plastic type are available.
- Use SSK mounting bracket for installation onto a pole.
- Drawings below are reference examples only. DXF/DWG/PDF drawings available on our website.

PKB dimensions

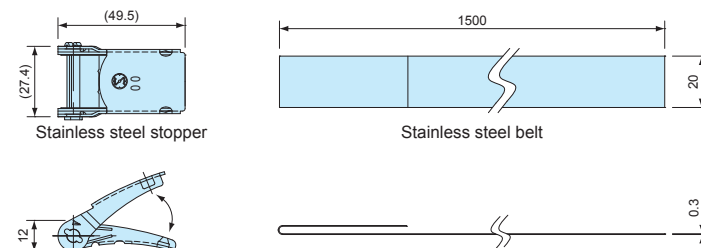
PKB-10PM, 10P



PKB-10S



PKB-20S



Components

| Part name | Pcs | Material | Color / Finish |
|-----------|-----|------------------------------|-------------------------------|
| Stopper | 2 | POM • Stainless steel SUS304 | Black • Barrel finish |
| Belt | 2 | PET • Stainless steel SUS430 | Gray • Bright Annealed finish |

Product no. / Dimensions

| Product no. | W | D | H | Belt material | Belt length | Tensile strength (horizontal) | Weight (g) | Pack of |
|---------------------|----|----|----|-----------------|-------------|-------------------------------|------------|---------|
| NEW PKB-10PM | 24 | 23 | 11 | PET | 500mm | 0.8kN | 14 | 2 |
| PKB-10P | 23 | 40 | 11 | PET | 1,500mm | 1.3kN | 31.8 | 2 |
| PKB-10S | — | — | — | Stainless steel | 1,500mm | 1.4kN | 101.6 | 2 |
| PKB-20S | — | — | — | Stainless steel | 1,500mm | 2.9kN | 182.2 | 2 |