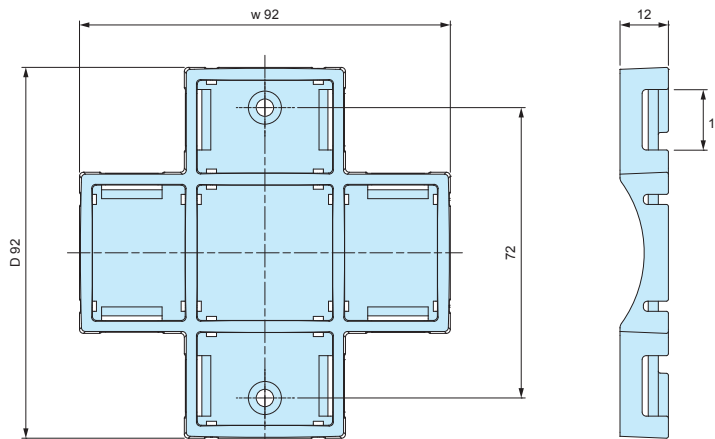
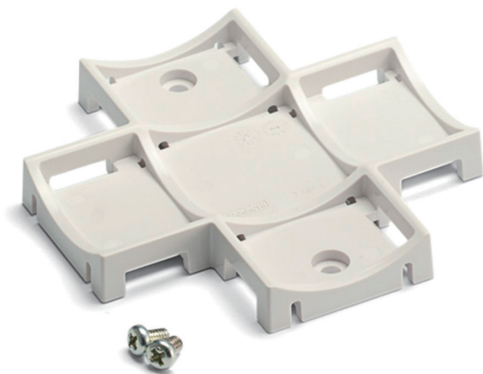


WPMB-M4-2 POLE MOUNTING BRACKET

WPMB-M4-2 dimensions



■ DXF/DWG/PDF/STP drawings available on our website.

- Pole mount bracket made from weather resistant ASA material.
 - Pole mounting belt can be installed either W or D direction.
 - Pole mount is possible with the use of PKB series mounting belt. (See page 324)
 - Hole milling is not required when installing the mount bracket, thus allowing the enclosure to maintain its protection class.
- *Stainless steel screw belt SNB series is not usable on WPMB-M4-2 series.

Color
White gray

Product no. / Dimensions

Product no.	Suitable models	Recommended torque (N · m)	Weight (g)	Pack of
WPMB-M4-2G	WG · WGV15-21-6, WG · WGV15-21-9	0.45 ~ 0.5	24	1

■ Recommended torque listed is for reference only; actual may differ. Assemble after testing torque.

Installation example



Vertical mounting



Horizontal mounting



PKB series

POLE MOUNTING BELT



PKB-10PM, 10P



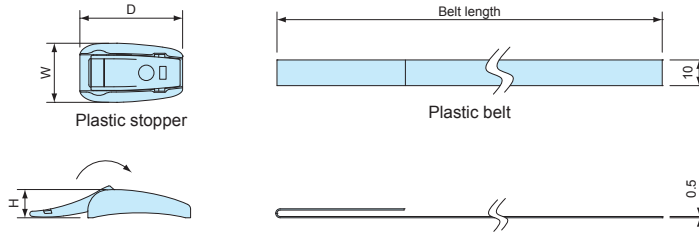
PKB-10S, 20S

- Pole mounting belt for attachment of enclosures with suitable pole mount brackets or construction onto poles.
- Designed for one time use only (not reusable).
- Strong stainless steel clamping type and easy installation plastic type are available.

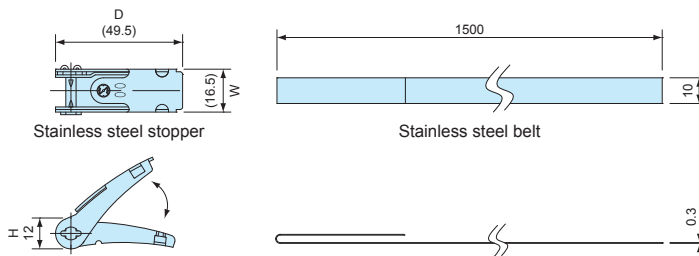
PKB dimensions

■ DXF/DWG/PDF drawings available on our website.

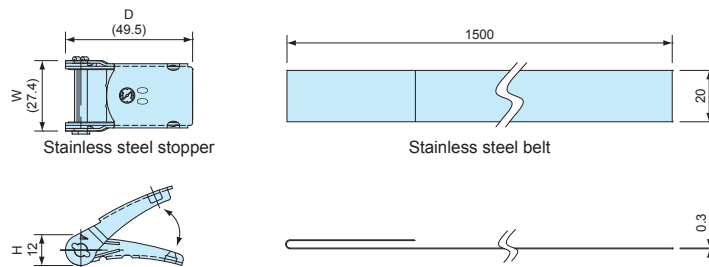
PKB-10PM, 10P



PKB-10S



PKB-20S



Components

No.	Part name	Material	Color / Finish
1	Stopper	Stainless steel SUS304 • POM	Barrel finish • Black
2	Belt	Stainless steel SUS430 • PET	Bright annealed finish • Gray

Product no. / Dimensions

Product no.	W	D	H	Belt length	Belt material	Tensile strength (horizontal)	Weight (g)	Pack of
PKB-10PM	24	23	11	500 mm	PET	0.8kN	14	2
PKB-10PM	23	40	11	1,500 mm	PET	1.3kN	31.8	2
PKB-10S	16.5	49.5	12	1,500 mm	Stainless steel SUS304	1.4kN	101.6	2
PKB-20S	27.4	49.5	12	1,500 mm	Stainless steel SUS430	2.9kN	182.2	2