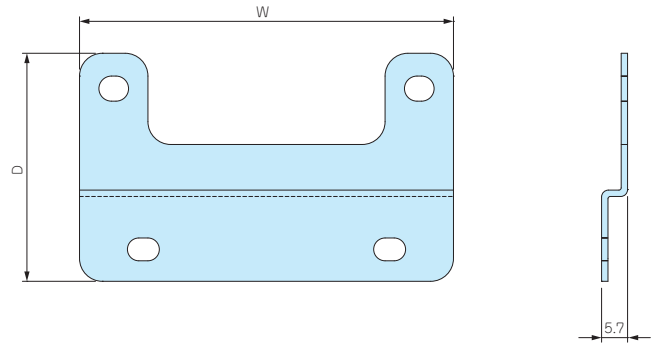


WGF series

WALL MOUNTING BRACKET for WG • WGV



WGF dimensions



■ DXF/DWG/PDF/STP drawings available on our website.

Product no. / Dimensions

■ Stainless steel mounting screws included.

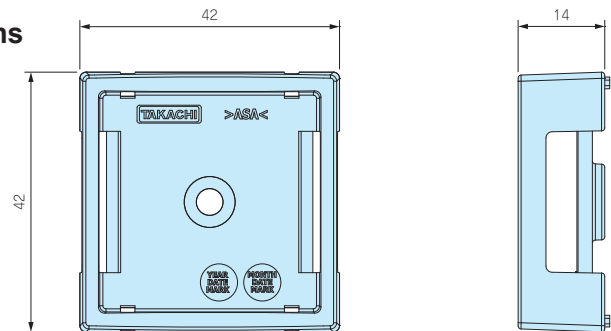
| Product no. | W | D | Suitable models | Material / Finish | Pack of |
|-------------|-----|----|--|---|---------|
| WGF-10 | 82 | 50 | WG • WGV10-15-□ (W direction) | Stainless steel t=1.5mm / Barrel finish | 2 |
| WGF-15 | 132 | 50 | WG • WGV10-15-□ (D direction) WG • WGV15-21-□ (W direction) WG • WGV15-16-□ (W • D direction) | | 2 |

WGMB series

POLE MOUNTING BRACKET for WG • WGV



WGMB dimensions



- Pole mount bracket made from weather resistant ASA material.
 - Hole milling is not required when installing the mount bracket, thus allowing the enclosure to maintain its IP rating.
 - WG • WGV10-15-□ and 15-16-□ can be installed in both the W or D direction.
 - Pole mount is possible with the use of SNB or PKB series mounting belt. (See page 323 ~ 324)
- DXF/DWG/PDF/STP drawings available on our website.

Product no. / Dimensions

| Product no. | Suitable models | Material / Color | Weight (g) | Pack of |
|-------------|---|-------------------------|------------|---------|
| WGMB-1W | WG • WGV10-15-□ WG • WGV15-16-□ (1 pc required) WG • WGV15-21-□ (2 pcs required) | ASA UL94-HB / Off-white | 9 | 1 |

Installation example

Installation (1 pc)

Installation (2 pcs)

