

IP68

HIGH PERFORMANCE

Outdoor Waterproof Box for 5G Technology!

WG series



IP68 High performance at 24-hours/1m-depth immersion



*Do not use underwater/underground.



With a silicone waterproof gasket, and supported by multiple enclosing screws from the rear side, it allows the enclosure to maintain a stable high waterproofing capability.

Weather-resistant ASA material



ASA material is resistant to deterioration and discoloration due to ultraviolet rays. Perfect for outdoor communication or network devices.

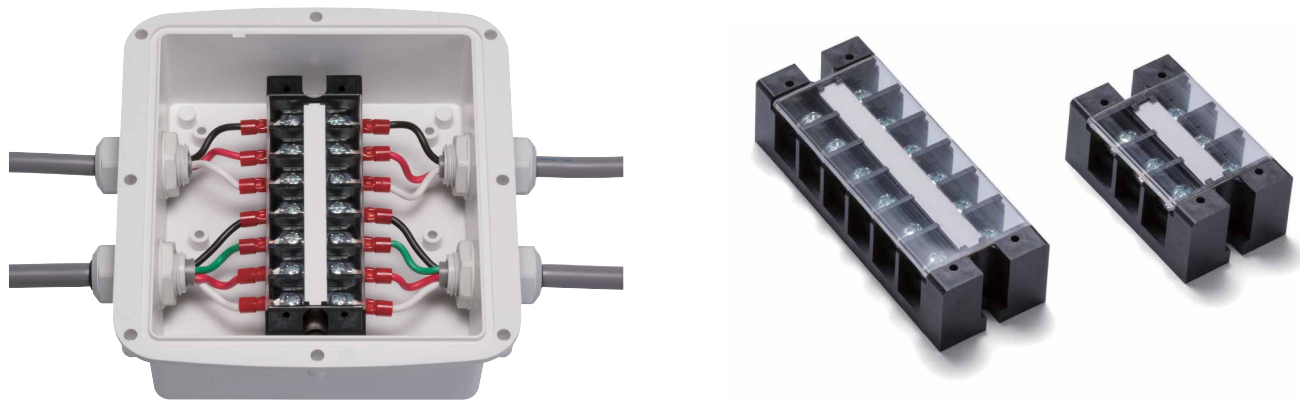
Captive screws for easy maintenance



There is no risk of screws dropping out and lost during maintenance. Captive screw is able to lock into a pre-drilled hole to provide a secure hold.

Easy installation on walls & poles

By using the optional mounting accessories, it can be installed on walls and poles with ease.

Optional terminal blocks compatible

Optional terminal blocks, WTB series can be installed onto the existing bosses inside the WG series box without additional processing or customization, hence can also function as a terminal junction box. (See page WG-3 ~ WG-4 for WTB terminal blocks.)

WG series **IP68 HIGH PERFORMANCE JUNCTION BOX** **NEW**



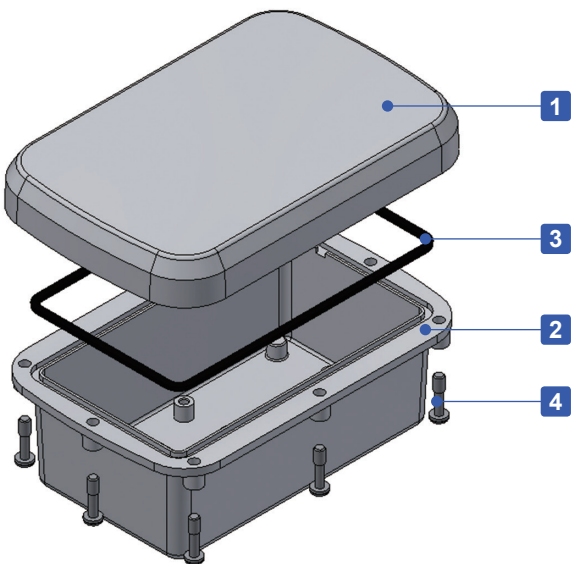
- IP68 high performance junction box protected from immersion as long as 24 hours at 1m depth.
- ASA material is resistant to deterioration and discoloration from ultraviolet rays. Perfect for use as outdoor communication devices.
- Self-tapping captive screws which are able to lock into a pre-drilled hole and provide a secure and hold for fastening the cover. Please drive the self-tapping captive screws for cutting a thread into the holes at first so that securing the cover and body together properly.

Technical Data

IP68

Protection class : IP68 (24-hours/1m-depth)
 Operating temperature: -30°C ~ +60°C
 Recommended torque : 0.5 ~ 0.6N · m

*May become brittle and break under impact when temperature is lowered close to -30°C.



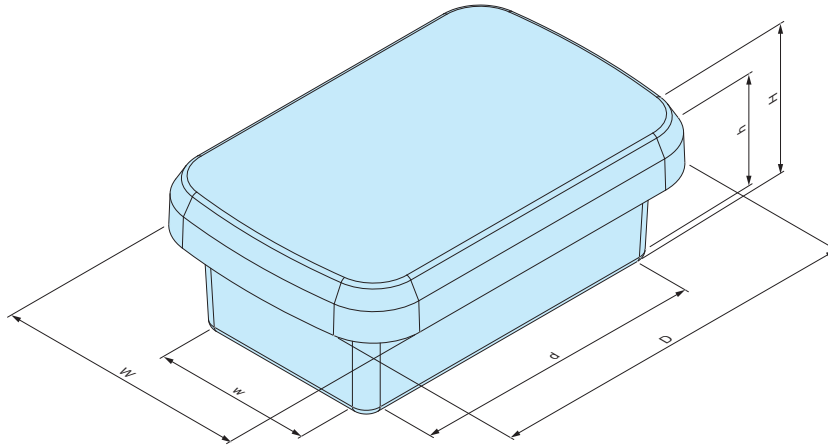
There are 5 holes on the backside of the body (4 at each corner, 1 in center).
 4 corner holes are for wall mounting bracket, and 1 center hole is for pole mounting bracket.

Components

No.	Part name	Pcs	Material / Color
1	Cover	1	ASA UL94HB / Off-white
2	Body	1	ASA UL94HB / Off-white
3	Gasket	1	Silicone / Black
4	Self-tapping captive screw	8 ~ 10	Stainless steel / Unfinished

WG dimensions

■ DXF/DWG/PDF/STP drawings available on our website.



Product no. / Dimensions

Product no.	External dimensions			Internal dimensions			Screw	Weight (g)
	W	D	H	w	d	h		
WG10-15-6W	100	150	55	63	115	43	M4 x 8 pcs	169.5
WG10-15-8W	100	150	75	62	114	63	M4 x 8 pcs	192
WG15-16-6W	145	155	55	107	120	43	M4 x 8 pcs	232
WG15-16-8W	145	155	80	105	118	68	M4 x 8 pcs	266.5
WG15-21-6W	145	210	60	107	174	48	M4 x 10 pcs	314
WG15-21-9W	145	210	90	105	172	78	M4 x 10 pcs	367

Accessories (Optional parts)



Terminal block WTB series
See page WG-3 ~ WG-4



DIN rail FDR series
See website



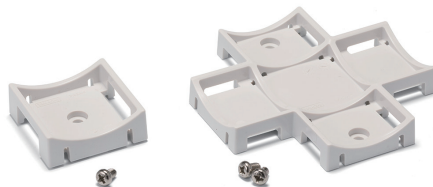
Mounting plate WGP series
See page 7



Cable gland
See page 333 ~ 340



Wall mounting bracket WGF series
See page 9



Pole mount bracket WGMB • WPMB series
See page 9 ~ 10



Pole mounting belt SNB • PKB series
See page 323 ~ 324



PCB mounting screw MT4-8T
See page 7

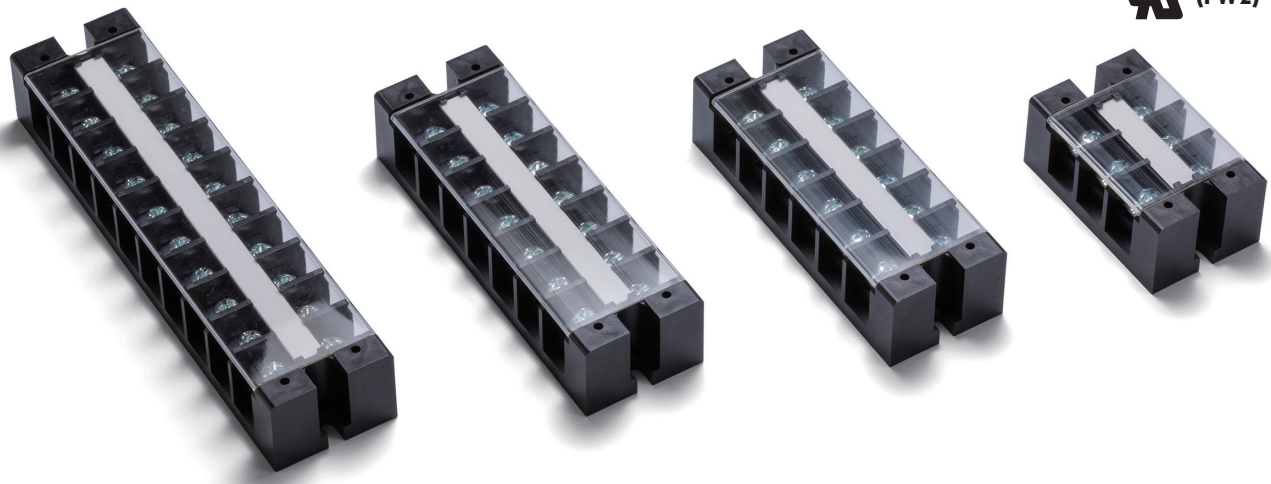


Tapping standoff TPS series
See page 122



Protective vent PMF series
See page 325 ~ 326

WTB series TERMINAL BLOCK for WG



Compatible terminal blocks with WG series.

Components

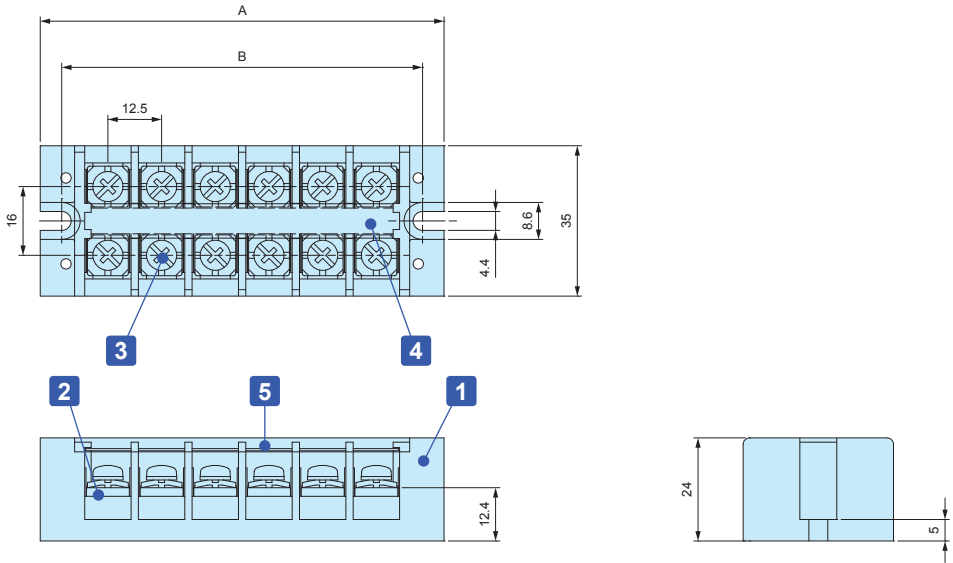
No.	Part name	Pcs	Material	Color or Finish
1	Base	1	PBT UL94V-0	Black
2	Conductive plate	1	Brass	Nickel plated
3	Terminal screw (M4-10)	2 x P	Steel	Trivalent chromate
4	Symbol board	1	PET	White
5	Cover	1	Polycarbonate UL94V-0	Transparent
-	Screw (Bind tapping M4-10)	2	Steel	Trivalent chromate

Specification

1. Electrical Rating 600V • 35A
2. Insulation Resistance DC500V 1000MΩ ~
3. Withstand Voltage AC2500V (Tested for 1 min.)
4. Rising Temp. 30°C or less
5. Operating Temp. Range -40°C ~ +90°C
6. Storage Temp. Range -40°C ~ +90°C

WTB dimensions

DXF/DWG/PDF drawings available on our website.



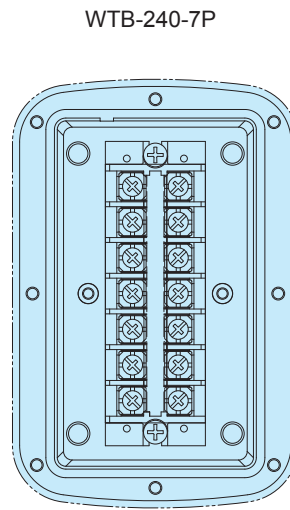
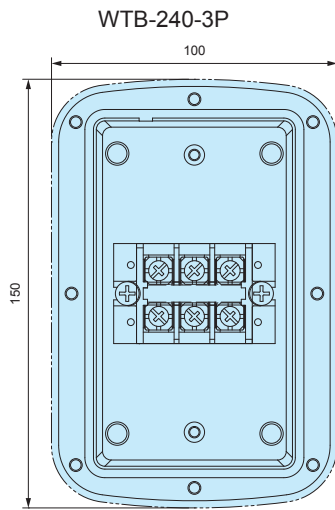
Product no. / Dimensions

Product no.	P (Number of poles)	A	B	Suitable models
WTB-240- 3P-FB	3	56.5	46.5	WG10-15-□ (W direction)
WTB-240- 6P-FB	6	94.0	84.0	WG15-16-□ • WG15-21-□ (W direction)
WTB-240- 7P-FB	7	106.5	96.5	WG10-15-□ • WG15-16-□ (D direction)
WTB-240-10P-FB	10	144.0	134.0	WG15-21-□ (D direction)

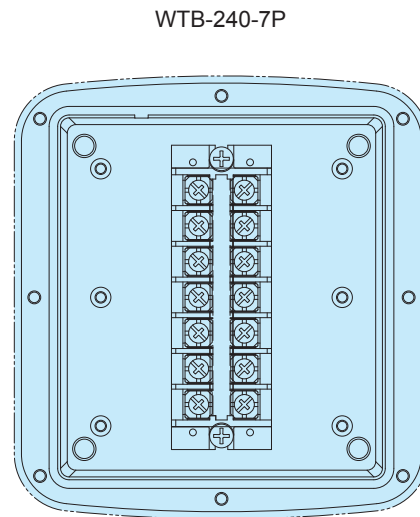
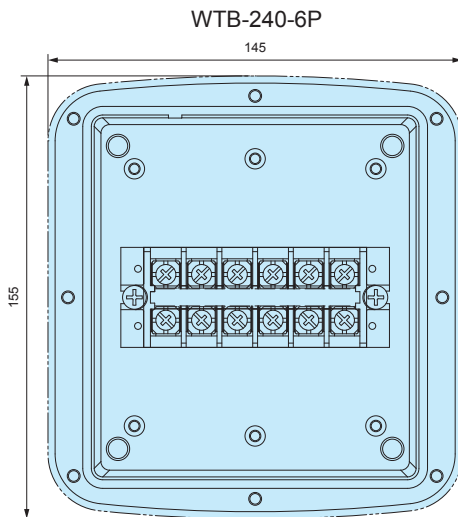
WTB terminal block mounting position

■ DXF/DWG/PDF drawings available on our website.

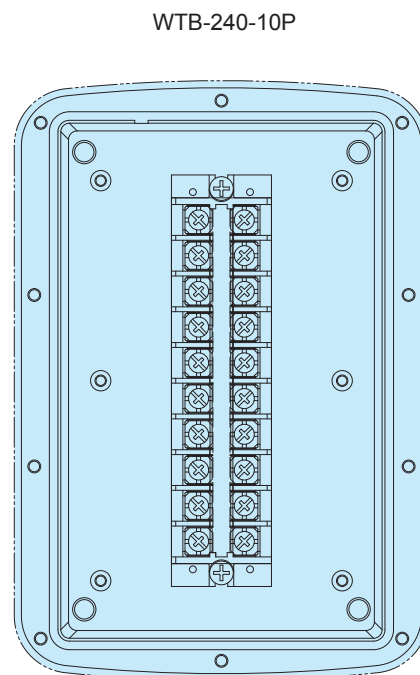
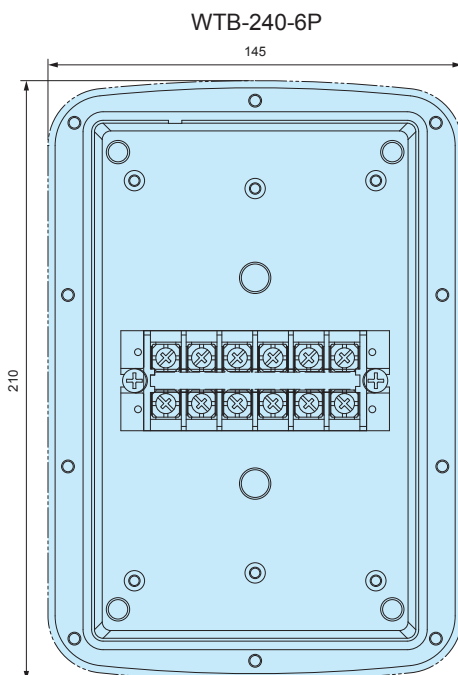
■ Compatible models WG10-15-6 • 10-15-8



■ Compatible models WG15-16-6 • 15-16-8



■ Compatible models WG15-21-6 • 15-21-9

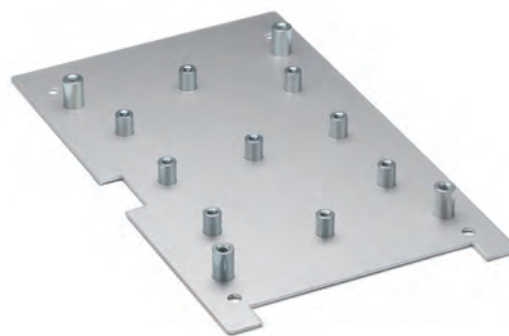
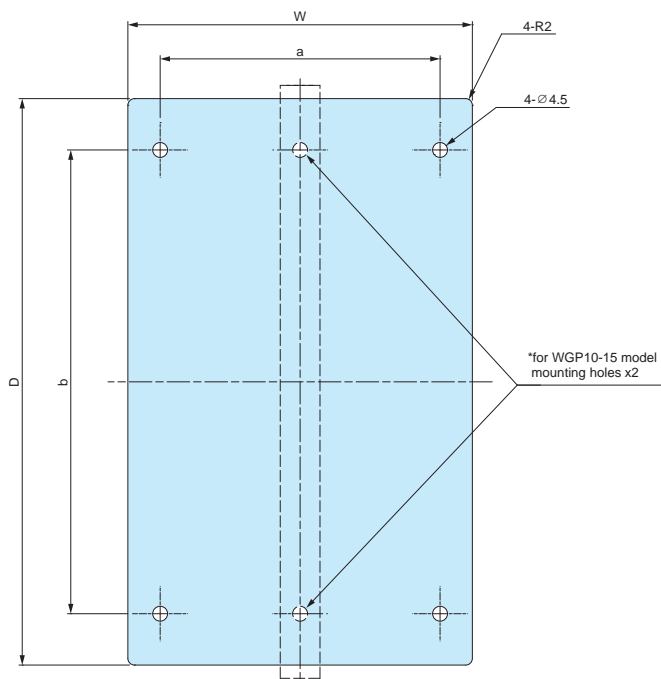


WGP series MOUNTING PLATE for WG • WGV



WGP dimensions

■ DXF/DWG/PDF/STP drawings available on our website.



■ Material / Finish : A1100P (t=1.5mm) / Silver anodized

■ Hole milling, clinching spacer customizations are available. See page Custom-7 ~ Custom-10 and our website for more details.

Product no. / Dimensions

■ Mounting screws included.

Product no.	W	D	a	b	Suitable models	Weight (g)
WGP10-15	60	112	-	97	WG • WGV10-15-6, WG • WGV10-15-8	30
WGP15-16	105	117	84.5	90	WG • WGV15-16-6, WG • WGV15-16-8	54
WGP15-21	104	171	84.5	140	WG • WGV15-21-6, WG • WGV15-21-9	76

MT4-8T PCB MOUNTING SCREW

■ Self-tapping screws for board mounting on bosses inside WG and WGV series enclosures.



Product no. / Dimensions

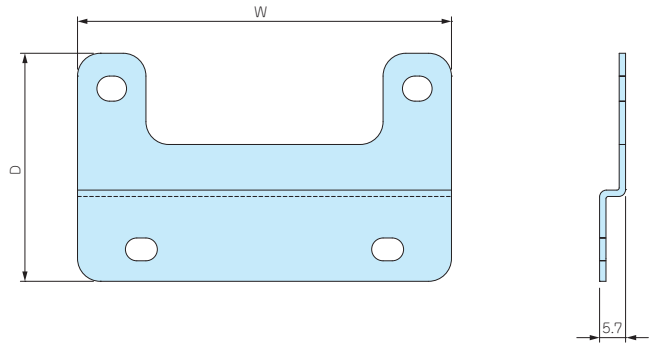
Product no.	Material	Finish	Pack of
MT4-8T (Bind tapping M4-8)	Steel	Trivalent chromate	20

WGF series

WALL MOUNTING BRACKET for WG • WGV



WGF dimensions



■ DXF/DWG/PDF/STP drawings available on our website.

Product no. / Dimensions

■ Stainless steel mounting screws included.

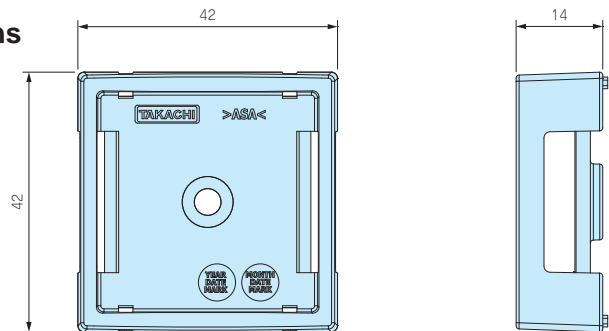
Product no.	W	D	Suitable models	Material / Finish	Pack of
WGF-10	82	50	WG • WGV10-15-□ (W direction)	Stainless steel t=1.5mm / Barrel finish	2
WGF-15	132	50	WG • WGV10-15-□ (D direction) WG • WGV15-21-□ (W direction) WG • WGV15-16-□ (W • D direction)		2

WGMB series

POLE MOUNTING BRACKET for WG • WGV



WGMB dimensions



- Pole mount bracket made from weather resistant ASA material.
 - Hole milling is not required when installing the mount bracket, thus allowing the enclosure to maintain its IP rating.
 - WG • WGV10-15-□ and 15-16-□ can be installed in both the W or D direction.
 - Pole mount is possible with the use of SNB or PKB series mounting belt. (See page 323 ~ 324)
- DXF/DWG/PDF/STP drawings available on our website.

Product no. / Dimensions

Product no.	Suitable models	Material / Color	Weight (g)	Pack of
WGMB-1W	WG • WGV10-15-□ WG • WGV15-16-□ (1 pc required) WG • WGV15-21-□ (2 pcs required)	ASA UL94-HB / Off-white	9	1

Installation example

Installation (1 pc)

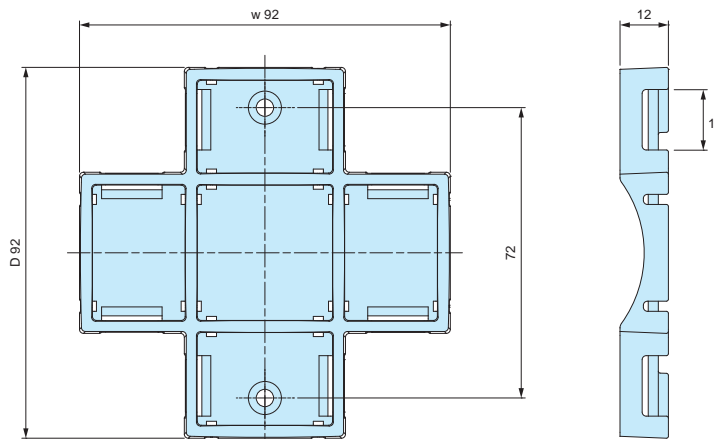
Installation (2 pcs)



WPMB-M4-2

POLE MOUNTING BRACKET

WPMB-M4-2 dimensions



■ DXF/DWG/PDF/STP drawings available on our website.

- Pole mount bracket made from weather resistant ASA material.
 - Pole mounting belt can be installed either W or D direction.
 - Pole mount is possible with the use of PKB series mounting belt. (See page 324)
 - Hole milling is not required when installing the mount bracket, thus allowing the enclosure to maintain its protection class.
- *Stainless steel screw belt SNB series is not usable on WPMB-M4-2 series.

Color
White gray

Product no. / Dimensions

Product no.	Suitable models	Recommended torque (N · m)	Weight (g)	Pack of
WPMB-M4-2G	WG · WGV15-21-6, WG · WGV15-21-9	0.45 ~ 0.5	24	1

■ Recommended torque listed is for reference only; actual may differ. Assemble after testing torque.

Installation example



Vertical mounting



Horizontal mounting

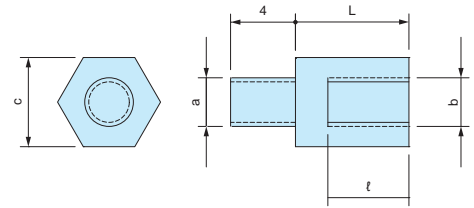


TPS series

TAPPING STANDOFF



TPS dimensions



■ DXF/DWG/PDF drawings available on our website.

- Tapping screw head allows for easy installation onto existing enclosure boss mount.
- 4 different sizes available : M2.3, M2.6, M3 and M4 size.

Product no. / Dimensions

■ Material / Finish : Brass / Unfinished

Product no.	Screw size (a)	Screw size (b)	c	L	ℓ	Pack of	Suitable models
TPS-M2.3-4	M2.3	M2.3	5	4	3	4	WH series • PFE series
TPS-M2.3-5	M2.3	M2.3	5	5	3	4	LC • LCE • LCS • LCT series
TPS-M2.3-6	M2.3	M2.3	5	6	4	4	PF • PFF series (M2.3 boss models)
TPS-M2.3-7	M2.3	M2.3	5	7	5	4	TW • TWN • TWF series (M2.3 boss models)
TPS-M2.3-8	M2.3	M2.3	5	8	6	4	WP series (M2.3 boss models)
TPS-M2.3-10	M2.3	M2.3	5	10	6	4	
TPS-M2.3-12	M2.3	M2.3	5	12	6	4	
TPS-M2.6-4	M2.6	M2.6	5	4	3	4	
TPS-M2.6-5	M2.6	M2.6	5	5	3	4	PF • PFF series (M2.6 boss models)
TPS-M2.6-7	M2.6	M2.6	5	7	5	4	WP series (M2.6 boss models)
TPS-M2.6-10	M2.6	M2.6	5	10	6	4	
TPS-M2.6-12	M2.6	M2.6	5	12	6	4	
TPS-M3-4	M3	M3	5.5	4	3	4	
TPS-M3-5	M3	M3	5.5	5	3	4	
TPS-M3-6	M3	M3	5.5	6	4	4	
TPS-M3-7	M3	M3	5.5	7	5	4	TWS • TW • TWN • TWF series (M3 boss models)
TPS-M3-8	M3	M3	5.5	8	5	4	
TPS-M3-10	M3	M3	5.5	10	6	4	
TPS-M3-12	M3	M3	5.5	12	6	4	
NEW TPS-M4-6	M4	M4	7	6	4	4	
NEW TPS-M4-10	M4	M4	7	10	6	4	
NEW TPS-M4-15	M4	M4	7	15	8	4	
NEW TPS-M4-20	M4	M4	7	20	10	4	BCAP • BCPC • BCPK • BCAR • BCPR series (M4 boss models)



■ Please use a suitable sized socket driver to both secure and loosen the tapping standoff.



How to tighten

MT series

PCB MOUNTING SCREWS for TPS



■ PCB mounting Screws for TPS tapping standoffs

Product no. / Dimensions

Product no.	M	L	Head style	Material	Finish	Pack of
MT2.3-4	2.3	4	Pan	Steel	Trivalent chromate	20
MT2.3-6	2.3	6		Steel	Trivalent chromate	20
MT2.6-4	2.6	4		Steel	Trivalent chromate	20
MT3-4	3	4		Steel	Trivalent chromate	20

PKB series

POLE MOUNTING BELT



PKB-10PM, 10P



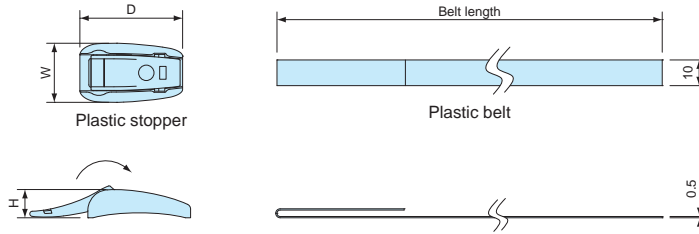
PKB-10S, 20S

- Pole mounting belt for attachment of enclosures with suitable pole mount brackets or construction onto poles.
- Designed for one time use only (not reusable).
- Strong stainless steel clamping type and easy installation plastic type are available.

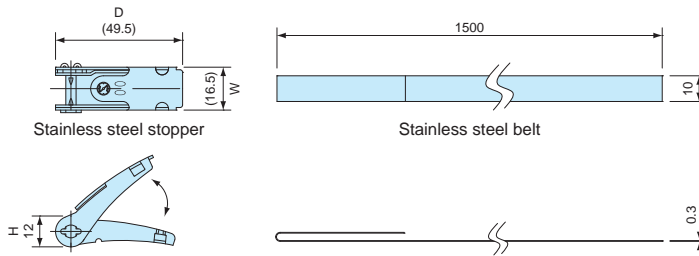
PKB dimensions

■ DXF/DWG/PDF drawings available on our website.

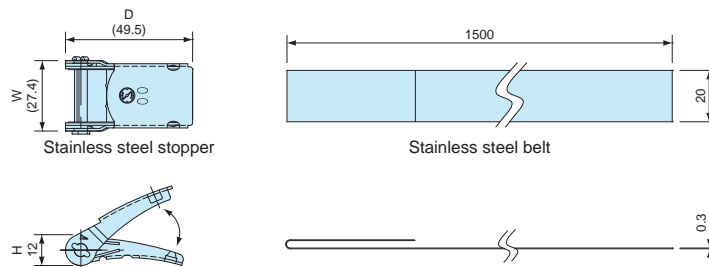
PKB-10PM, 10P



PKB-10S



PKB-20S



Components

No.	Part name	Material	Color / Finish
1	Stopper	Stainless steel SUS304 • POM	Barrel finish • Black
2	Belt	Stainless steel SUS430 • PET	Bright annealed finish • Gray

Product no. / Dimensions

Product no.	W	D	H	Belt length	Belt material	Tensile strength (horizontal)	Weight (g)	Pack of
PKB-10PM	24	23	11	500 mm	PET	0.8kN	14	2
PKB-10PM	23	40	11	1,500 mm	PET	1.3kN	31.8	2
PKB-10S	16.5	49.5	12	1,500 mm	Stainless steel SUS304	1.4kN	101.6	2
PKB-20S	27.4	49.5	12	1,500 mm	Stainless steel SUS430	2.9kN	182.2	2

PMF series

PROTECTIVE VENT

Pressure Equalization / Ventilation



Application Example

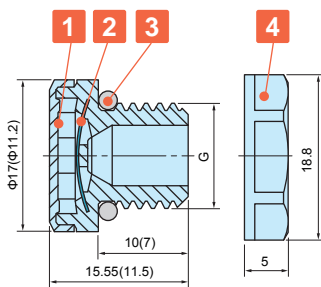
- Protective vent protects the enclosure from deformation by equalizing internal and external pressure differences, as well as venting the gas generated within the enclosure.
- IP68 protection class (water depth 2 meters / 60 mins) with an operating temperature range -40°C ~ +125°C allows them to be used in harsh environments.
- PMF-6B model is suitable for enclosures with capacities of up to 2.0 liters. PMF-12 and PMF-12HS models are suitable for up to 5 and 50 liters respectively.
- Recommended to be installed at the sides of the enclosure.
- Use in industrial and electrical / electronic products only; not suitable to be used in medical, food and beverage, and cosmetic industries and related industrial equipment.

PMF dimensions

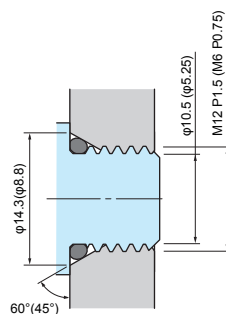
Hole milling drawings

Installation drawings

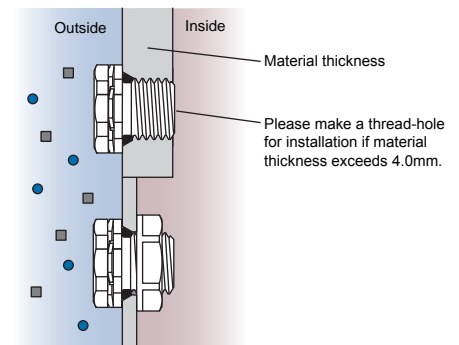
■ DXF/DWG/PDF drawings available on our website.



() values are for PMF-6B.
Lock nut is not available for PMF-6B



■ Recommended for prevention of O-ring deformation during tightening.
If tightened with a lock nut, a standard through-hole is sufficient for installation.



■ If used with a lock nut, material thickness should not exceed 4.0mm.

Technical Data

Product no.	PMF-6B	PMF-12	PNF-12HA
Airflow	300ml / min (dp = 7kPa)	450ml / min (dp = 7kPa)	4,000ml / min (dp = 7kPa)
Recommended torque	0.2 ~ 0.4N · m	0.6 ~ 0.8N · m	0.6 ~ 0.8N · m
Certifications	IEC60529 (Protection class test) : IP65 • IP66 • IP67 • IP68 • IP69K (Not for PMF-6B) IEC60068-2-1, 2, 14 (Heat resistance test) : - 40°C ~ +125°C (~+150°C for PMF-6B) IEC60068-2-78 (Humidity test) : 85°C • 85% humidity • 1,000 hours IEC60068-2-11, 52 (Salt spray test) IEC60068-2-64 (Vibration test) GR-3108-CORE (Corrosive gas test) UL94V-0 (Flame-resistant) • UL746C f1		

Product no. / Dimensions

Product no.		Material				G		Lock nut
● Light gray	● Black	1 Housing	2 Filter	3 O-ring	4 Lock nut	Thread size	Mount hole	SW
—	PMF- 6B	PA6 / 66	PTFE	Silicone	—	M6 x P0.75	—	—
PMF-12S	PMF-12B	PA66 / 6	PTFE	Silicone	PA66 (UL94V-2)	M12 x P1.5	Φ12.2	17
PMF-12HAS	PMF-12HAB	PA66 / 6	PTFE	Silicone	PA66 (UL94V-2)	M12 x P1.5	Φ12.2	17

PMF-32S

LARGE PROTECTIVE VENT

Pressure Equalization / Ventilation

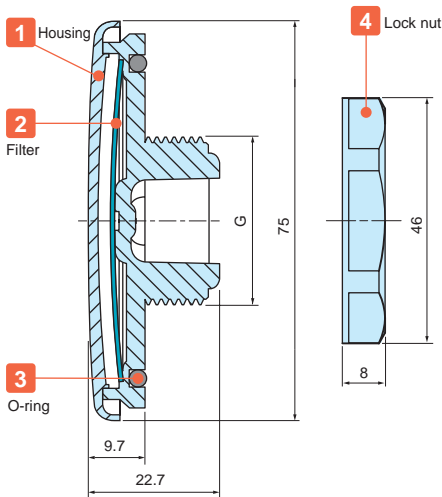


Application Example

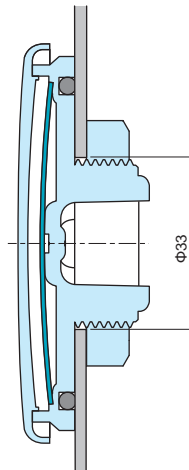
- Maintaining high airflow for large enclosures in an outdoor environment.
- Protective vent protects the enclosure from deformation by equalizing internal and external pressure differences, as well as venting the gas generated within the enclosure.
- Simple and flat design allows it to be used on a wide variety of enclosure types.
- IP68 protection class rated with an operating temperature range of -40°C ~ +125°C allows it to be used in harsh environments.
- Compliant with Solar industry testing IEC62108 standards.
- Recommended to be installed at the sides of the enclosure.
- Use in industrial and electrical / electronic products only; not suitable to be used in medical, food and beverage, and cosmetic industries and related industrial equipment.

PMF-32 dimensions

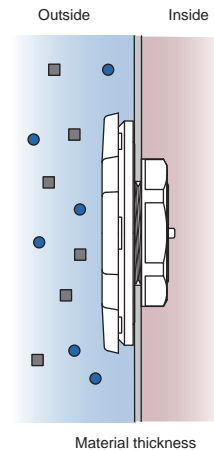
■ DXF/DWG/PDF drawings available on our website.



Hole milling drawings



Installation drawings



■ If used with a lock nut, material thickness should not exceed 5.0mm.

Technical Data

Airflow	16ℓ / min (dp = 1.2kPa)
Recommended torque	5 N · m
Certifications	IEC529, 2nd (Protection class test) : IP66 · IP67 · IP68 · IP69K IEC60068-2-1, 2, 14 (Heat resistance test) : - 40°C ~ +125°C IEC60068-2-78 (Humidity test) : 85°C · 85% humidity · 1,000 hours IEC60068-2-11, 52 (Salt spray test) IEC60068-2-64 (Vibration test) IEC62108, 10.8 · 9 (Solar industry test) : Freezing · High temperature tes · Hail impact test GR-3108-CORE (Corrosive gas test) UL94V-0 (Flame-resistant) · UL746C f1

Product no. / Dimensions

Product no.	Material				G			Lock nut SW
	1 Housing	2 Filter	3 O-ring	4 Lock nut	Thread size	Thread diameter	Mount hole	
PMF-32S	Polycarbonate	PTFE	Silicone	PA66	M32 x P1.5	φ32	φ33	41.5

VE8 series

ADHESIVE PROTECTIVE VENT FILTER



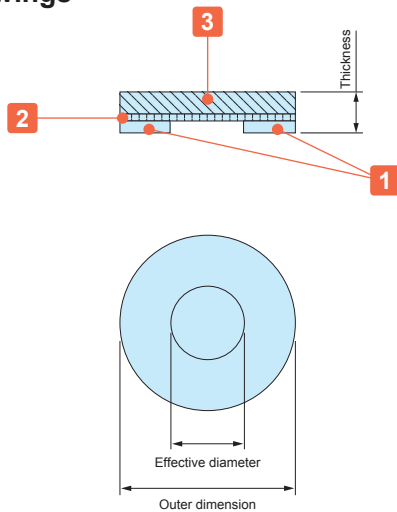
Technical Data
Protection class : Dustproof IP6X Waterproof IPX4, IPX7
Airflow: 3,300ml/min/cm2 (at 7Kpa)
Operating temperature: -40°C ~ +100°C

- Improved airflow of 3,300ml/min/cm2 as compared to previous VSC series.
- Vent filter protects the enclosure from deformation by equalizing internal and external pressure differences, as well as venting the gas generated within the enclosure.
- Allows water vapor molecules to diffuse through the microporous membrane.
- Highly water and oil repellent membrane protects electronic components from water, corrosive liquids, salts and dust.
- Easy installation adhesive filter.
- Recommended to be adhered onto flat plastic or metallic surfaces.

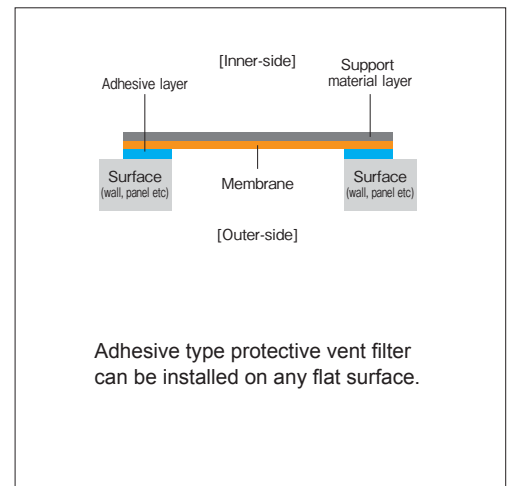
CAUTION

- Install only on the inner surface of the case / box with the membrane and adhesive side facing outwards.
- An initial period of 24 hours is required for the adhesive to properly bond to the surface. Avoid using the vent filter with a heavy load.
- Please do not adhere onto the top-side of enclosures. Rain water etc. will collect on the filter, which will weaken the adhesive seal and prevent proper ventilation.
- After degreasing and cleaning, adhere the filter without touching the center part of the vent filter.
- Use in industrial and electrical / electronic products only; not suitable to be used in medical, food and beverage, and cosmetic industries and related industrial equipment.

VE8 drawings



Installation drawings



Components

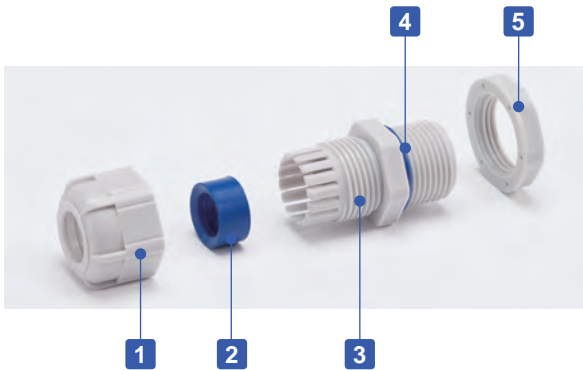
No.	Part name	Material	Color
1	Adhesive	Acrylic adhesive	Transparent
2	Filter	ePTFE (Oil-repellent type)	White
3	Support material	Polyester fabric	White

Product no. / Dimensions

Product no.	Outer dimension (Φ-mm)	Effective diameter (Φ-mm)	Thickness (mm)	Sales unit
VE80308	7.6	3.3	0.26	8 pcs (per pack)
VE80814	14.0	8.0	0.26	4 pcs (per pack)
VE81221	21.5	12.5	0.26	4 pcs (per pack)
NEW VE82029S	29.0	20.0	0.35	2 pcs (per pack)
VE80308-S	7.6	3.3	0.26	96 pcs (per sheet)
VE80814-S	14.0	8.0	0.26	56 pcs (per sheet)
VE81221-S	21.5	12.5	0.26	20 pcs (per sheet)
NEW VE82029S-S	29.0	20.0	0.35	10 pcs (per sheet)



- Weatherproof cable gland equipped with high ultraviolet and degradation resistant silicone sealing insert and O-ring.
- Recommended to use outdoors where waterproofing is critical.
- IP67 protection class.



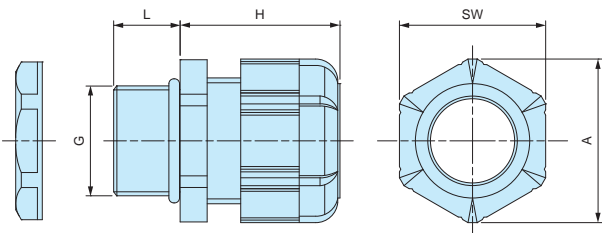
Components

■ PA = Polyamide

No.	Part name	Material
1	Cap	PA66 UL94V-2
2	Sealing insert	Silicone
3	Connector	PA66 UL94V-2
4	O-ring	Silicone
5	Lock nut	PA66 UL94V-2

RMW dimensions

■ DXF/DWG/PDF drawings available on our website.



Technical Data

Protection class: IP67
Operating temperature: -20°C ~ +80°C

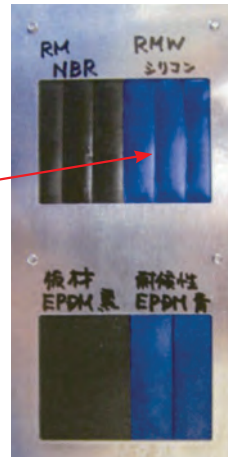
- Lock nut is not included for RMW10S-6.
Please drill a proper thread hole into the enclosure for installation.

Product no. / Dimensions

Product no.		G		Cable range		L	H Max	SW	A	Pack of
● Black	● Light gray	Thread size	Mounting hole	Min	Max					
RMW8L-2.5B	RMW8L-2.5S	M8x1.25	Φ8.2	1	2.5	13	19.5	11.8	13.5	1
RMW8L-4B	RMW8L-4S	M8x1.25	Φ8.2	2.5	4	13	19.5	11.8	13.5	1
RMW10S-6B	RMW10S-6S	M10x1.5	—	3	6	8	20.5	13	14.4	1
RMW10L-6B	RMW10L-6S	M10x1.5	Φ10.2	3	6	13	20.5	13	14.4	1
RMW12S-7B	RMW12S-7S	M12x1.5	Φ12.2	3.5	7	9	20.5	16	17.6	1
RMW12L-7B	RMW12L-7S	M12x1.5	Φ12.2	3.5	7	14.5	20.5	16	17.7	1
RMW16S-8B	RMW16S-8S	M16x1.5	Φ16.2	4	8	9	23.5	19	21	1
RMW16L-8B	RMW16L-8S	M16x1.5	Φ16.2	4	8	15	24	19	21	1
RMW20S-12B	RMW20S-12S	M20x1.5	Φ20.2	6	12	10	29	24	26.2	1
RMW20L-12B	RMW20L-12S	M20x1.5	Φ20.2	6	12	15	28.5	24	26.2	1
RMW25L-17B	RMW25L-17S	M25x1.5	Φ25.2	11	17	15	35	33	36.2	1
RMW32L-21B	RMW32L-21S	M32x1.5	Φ32.3	13	21	15	38	36	39.5	1
RMW40L-27B	RMW40L-27S	M40x1.5	Φ40.3	18	27	18	43.5	45.7	50.5	1
RMW50L-38B	RMW50L-38S	M50x1.5	Φ50.4	27	38	20	50.5	60	66.5	1
RMW10L-6B-P	RMW10L-6S-P	M10x1.5	Φ10.2	3	6	13	20.5	13	14.4	100
RMW12S-7B-P	RMW12S-7S-P	M12x1.5	Φ12.2	3.5	7	9	20.5	16	17.6	100
RMW12L-7B-P	RMW12L-7S-P	M12x1.5	Φ12.2	3.5	7	14.5	20.5	16	17.7	100
RMW16S-8B-P	RMW16S-8S-P	M16x1.5	Φ16.2	4	8	9	23.5	19	21	100
RMW16L-8B-P	RMW16L-8S-P	M16x1.5	Φ16.2	4	8	15	24	19	21	100
RMW20S-12B-P	RMW20S-12S-P	M20x1.5	Φ20.2	6	12	10	29	24	26.2	100
RMW20L-12B-P	RMW20L-12S-P	M20x1.5	Φ20.2	6	12	15	28.5	24	26.2	100

RMW series silicone sealing insert weatherproof test report

Object: Cut into a piece of the silicone sealing insert from RMW series and attach it onto an aluminium plate.
 For comparison, NBR sealing insert from our RM and EPDM sealing insert from another manufacturer is also attached for comparison purposes.



Before



After

Testing conditions

Equipment : 7.5kW Super Xenon Weather Meter SX75 (Suga Test Instruments Co., Ltd.- <http://www.sugatest.co.jp/english/>)
Conditions : JIS B7754 : 1991
 Testing with an authorized Xenon arc lamp weathering test equipment under the conditions denoted below.
 Irradiance : 180W/m² at 300-400nm
 Black Panel Temperature : 63±3°C Humidity Range : 50±10%
 Cycle Conditions : 120 minutes cycle (18 minutes irradiation + water spray - 102 minutes irradiation)
Time period : 2,000 hours (equivalent to a period of 4 years under natural conditions)
Total radiant exposure : 1296MJ/m²

Test result (visual / touch inspection)

Silicone sealing insert material : No cracks, no gloss transition, no powder - no appearance change at all. Flexibility remains unchanged.

Before



After



NBR material from our RM series : Lost glossiness on the surface and material is stiffened.

Before



After

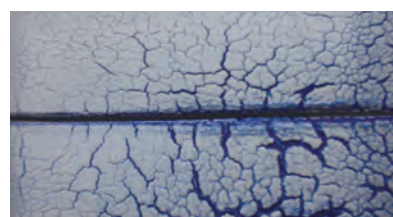


EPDM material from weatherproof cable gland of another manufacturer : Cracked, color drastically faded and powder appeared on the surface.

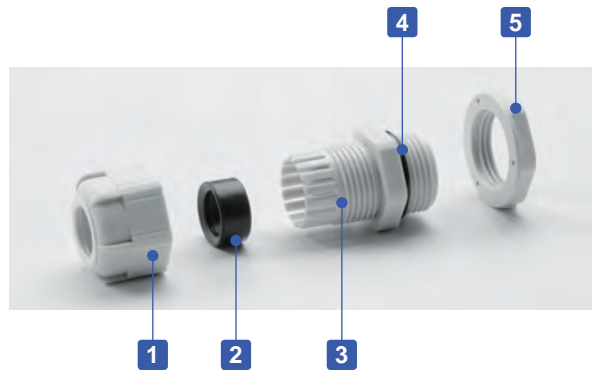
Before



After



RM series POLYAMIDE CABLE GLAND



- Low cost cable glands made from polyamide material.
- Wide selection, for M8 ~ M63, suitable for $\Phi 1\text{mm} \sim \Phi 44\text{ mm}$ cable.
- High oil resistant NBR rubber sealing and O-ring.
- IP67 protection class.

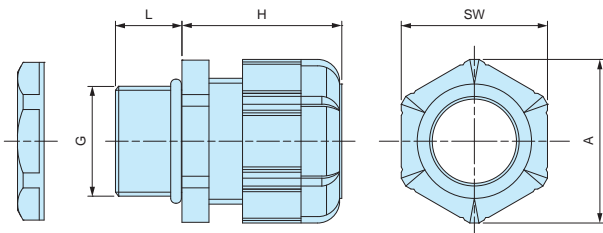
Components

■ PA = Polyamide

No.	Part name	Material
1	Cap	PA66 UL94V-2
2	Sealing insert	NBR
3	Connector	PA66 UL94V-2
4	O-ring	NBR
5	Lock nut	PA66 UL94V-2

RM dimensions

■ DXF/DWG/PDF drawings available on our website.



Technical Data	
Protection class:	IP67
Operating temperature:	-20°C ~ +80°C

- Lock nut is not included for RM8S-2.5, 8S-4, and 10S-6 models.
Please drill a proper thread hole into the enclosure for installation.

Product no. / Dimensions

Product no.		G		Cable range		L	H Max	SW	A	Pack of
● Black	● Light gray	Thread size	Mounting hole	Min	Max					
RM8S-2.5B	RM8S-2.5S	M8x1.25	—	1	2.5	7.5	19.5	11.8	13.5	1
RM8L-2.5B	RM8L-2.5S	M8x1.25	$\Phi 8.2$	1	2.5	13	19.5	11.8	13.5	1
RM8S-4B	RM8S-4S	M8x1.25	—	2.5	4	7.5	19.5	11.8	13.5	1
RM8L-4B	RM8L-4S	M8x1.25	$\Phi 8.2$	2.5	4	13	19.5	11.8	13.5	1
RM10S-6B	RM10S-6S	M10x1.5	—	3	6	8	20.5	13	14.4	1
RM10L-6B	RM10L-6S	M10x1.5	$\Phi 10.2$	3	6	13	20.5	13	14.4	1
RM12S-7B	RM12S-7S	M12x1.5	$\Phi 12.2$	3.5	7	9	20.5	16	17.6	1
RM12L-7B	RM12L-7S	M12x1.5	$\Phi 12.2$	3.5	7	14.5	20.5	16	17.7	1
RM16S-8B	RM16S-8S	M16x1.5	$\Phi 16.2$	4	8	9	23.5	19	21	1
RM16L-8B	RM16L-8S	M16x1.5	$\Phi 16.2$	4	8	15	24	19	21	1
RM20S-12B	RM20S-12S	M20x1.5	$\Phi 20.2$	6	12	10	29	24	26.2	1
RM20L-12B	RM20L-12S	M20x1.5	$\Phi 20.2$	6	12	15	28.5	24	26.2	1
RM25L-17B	RM25L-17S	M25x1.5	$\Phi 25.2$	11	17	15	35	33	36.2	1
RM32L-21B	RM32L-21S	M32x1.5	$\Phi 32.3$	13	21	15	38	36	39.5	1
RM40L-27B	RM40L-27S	M40x1.5	$\Phi 40.3$	18	27	18	43.5	45.7	50.5	1
RM50L-38B	RM50L-38S	M50x1.5	$\Phi 50.4$	27	38	20	50.5	60	66.5	1
RM63L-44B	RM63L-44S	M63x1.5	$\Phi 63.4$	37	44	20	53	68	75.5	1
RM10L-6B-P	RM10L-6S-P	M10x1.5	$\Phi 10.2$	3	6	13	20.5	13	14.4	100
RM12S-7B-P	RM12S-7S-P	M12x1.5	$\Phi 12.2$	3.5	7	9	20.5	16	17.6	100
RM12L-7B-P	RM12L-7S-P	M12x1.5	$\Phi 12.2$	3.5	7	14.5	20.5	16	17.7	100
RM16S-8B-P	RM16S-8S-P	M16x1.5	$\Phi 16.2$	4	8	9	23.5	19	21	100
RM16L-8B-P	RM16L-8S-P	M16x1.5	$\Phi 16.2$	4	8	15	24	19	21	100
RM20S-12B-P	RM20S-12S-P	M20x1.5	$\Phi 20.2$	6	12	10	29	24	26.2	100
RM20L-12B-P	RM20L-12S-P	M20x1.5	$\Phi 20.2$	6	12	15	28.5	24	26.2	100
RM25L-17B-P	RM25L-17S-P	M25x1.5	$\Phi 25.2$	11	17	15	35	33	36.2	100

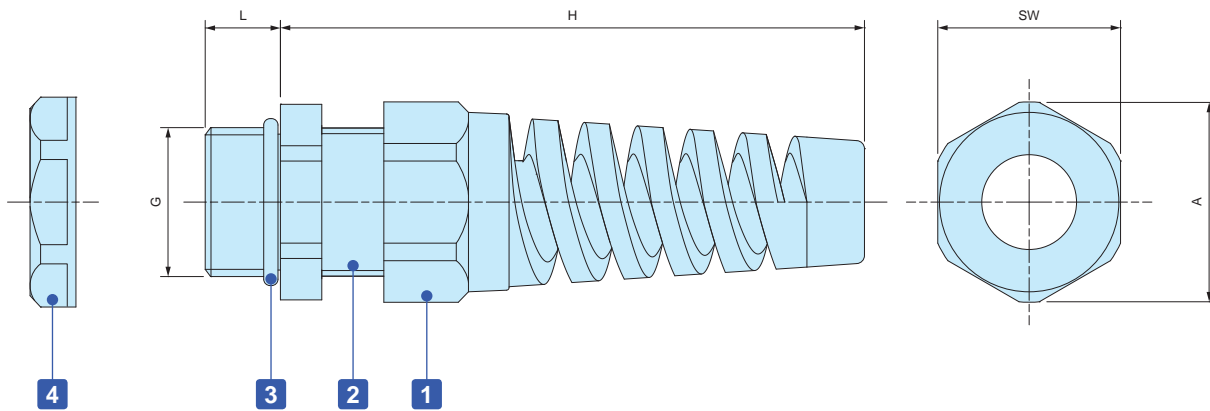


■ Strain relief cap protects cables by preventing it from bending beyond its limit and breaking.

Technical Data
Protection class : IP67
Operating temperature : -20°C ~ +80°C

RSP dimensions

■ DXF/DWG/PDF drawings available on our website.



Components

No.	Part name	Material
1	Stain relief cap	PA66 UL94V-2
-	Sealing insert	NBR
2	Connector	PA66 UL94V-2
3	O-ring	NBR
4	Lock nut	PA66 UL94V-2

Product no. / Dimensions

Product no.		G		Cable range		L	H Max	SW	A	Pack of
● Black	● Light gray	Thread size	Mounting hole	Min	Max					
RSP12-6B	RSP12-6S	M12x1.5	Φ12.2	3.5	6	9	62	16	17	1
RSP16-8B	RSP16-8S	M16x1.5	Φ16.2	4	8	9	69	19.5	21	1
RSP20-11B	RSP20-11S	M20x1.5	Φ20.2	6	11	10	82	24	26	1
RSP25-16B	RSP25-16S	M25x1.5	Φ25.2	11	16	12	102	33	36	1



- High water protection IP68 (1bar / 30min) polyamide cable gland.
- Wide selection, for M8 ~ M50, suitable for Φ 2.5mm ~ Φ 42 mm cable.
- Super tough and superior heat resistant PA6GF (glass fiber filled PA6) material on cap and connector.
- Safer halogen free, eco-friendly product.

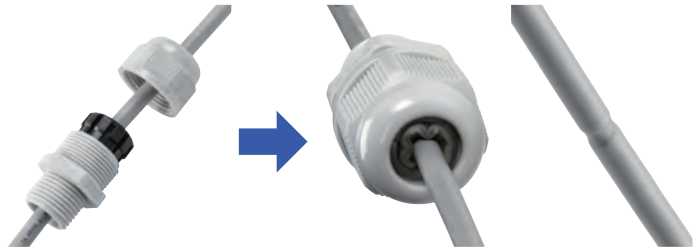
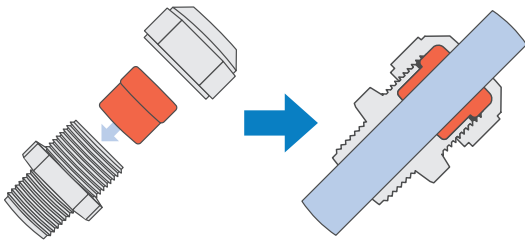
Technical Data
Protection class: IP68 1bar / 30min
Operating temperature: -20°C ~ +100°C
Compliant with EN50262 Ver. A

AG series

Thicker sealing insert evenly hold a cable by having a larger holding area. Remains durable even after repeated tightening / loosening.

Lamellar insert type

If over-tightened, it can cause the rubber bush or cable to deform, which can allow water to seep in.



Components

■ PA6GF = Polyamide6 Glass Fiber Filled

No.	Part name	Material
1	Cap	PA6GF
2	Sealing insert	TPE
3	Connector	PA6GF
4	Lock nut	PA6

- Lock nut is not included for M8 and M10 sizes. Please drill a proper thread hole into the enclosure for installation.

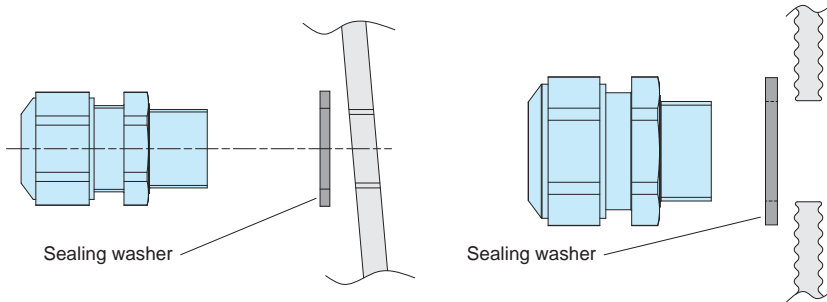
- Proper tightening torque varies by each cable diameter. Tighten the cap until top of the sealing insert forms a small bead between the cap and the cable.



■ No optional sealing washer is required when installing on an even surface because of the built-in waterproof rib.

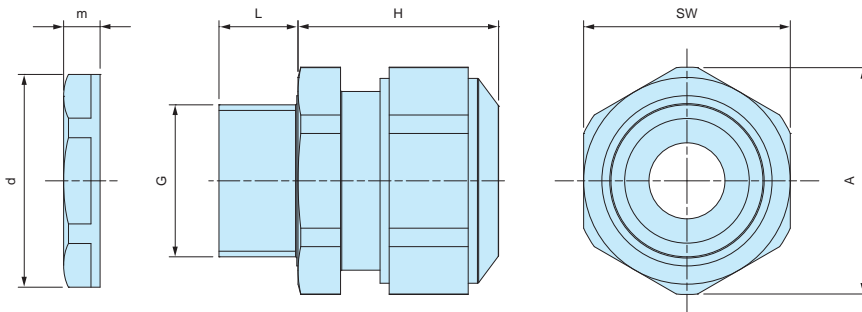
■ An optional sealing washer is required when installing on an uneven surface. (See website for more information on the optional sealing washer)

Waterproof rib



AG dimensions

■ DXF/DWG/PDF drawings available on our website.



■ Lock nut is not included for M8 and M10 sizes. Please drill a proper thread hole into the enclosure for installation.

Product no. / Dimensions

Product no.		G		Cable range		L	H Max	SW	A	d	m	Pack of
● Black	● Light gray	Thread size	Mounting hole	Min	Max							
AG8-3.5B	AG8-3.5S	M8x1.0	—	2.5	3.5	10	17	12	13.2	—	—	1
AG8-5B	AG8-5S	M8x1.0	—	3.5	4.7	10	17	12	13.2	—	—	1
AG10-6B	AG10-6S	M10x1.0	—	4	6	10	19	15	16.5	—	—	1
AG12-5B	AG12-5S	M12x1.5	Φ12.2	3.5	4.7	12	23.5	17	18.7	18.8	5	1
AG12-6.5B	AG12-6.5S	M12x1.5	Φ12.2	5	6.5	12	23	17	18.7	18.8	5	1
AG12-8B	AG12-8S	M12x1.5	Φ12.2	6.5	7.8	12	23	17	18.7	18.8	5	1
AG16-10B	AG16-10S	M16x1.5	Φ16.2	8	10	12	26	21	23.1	24.3	5	1
AG20-15B	AG20-15S	M20x1.5	Φ20.2	11	15	13	27	27	29.7	29	6	1
AG25-16B	AG25-16S	M25x1.5	Φ25.2	12.5	16	13	34	34	37.4	36	6.7	1
AG25-20B	AG25-20S	M25x1.5	Φ25.2	16	20	13	34	34	37.4	36	6.7	1
AG32-25.5B	AG32-25.5S	M32x1.5	Φ32.3	21	25.5	15	36	41	45.6	46	8	1
AG40-28.5B	AG40-28.5S	M40x1.5	Φ40.3	24	28.5	15	41	50	55.4	53.5	9	1
AG40-33B	AG40-33S	M40x1.5	Φ40.3	28.5	33	15	41	50	55.4	53.5	9	1
AG50-37B	AG50-37S	M50x1.5	Φ50.4	33	37	16	45	60	65.5	66	9.6	1
AG50-42B	AG50-42S	M50x1.5	Φ50.4	37	42	16	45	60	65.5	66	9.6	1