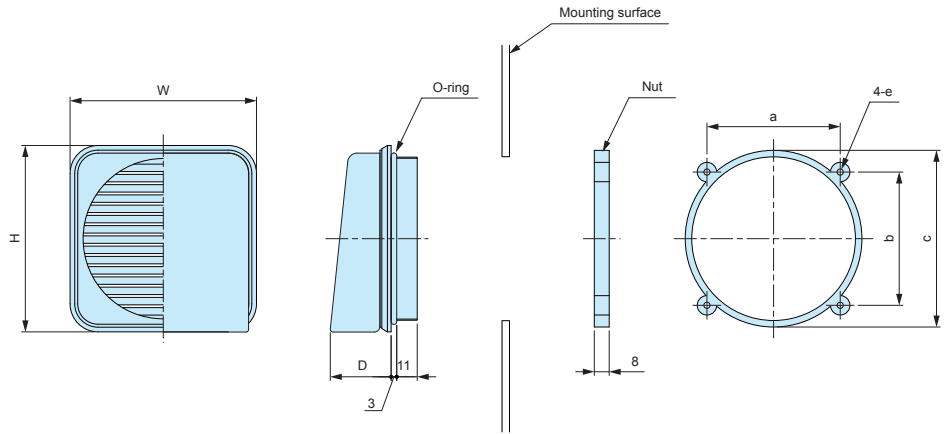


V SERIES

VENTILATION LOUVER



- Recommended for condensation prevention and heat dissipation.
- 2 models available: ABS V60, V80 for BCAP and BCAR series, and PC V60S, V80S for BCPC, BCPK and BCAR series.
- Suitable to be used on a variety of enclosure types, series and models.



Product no. / Dimensions

Product no.	Material	Color	Installation hole	W	H	D	a	b	c	e
V60	ABS	White gray	Φ63	74.5	74.5	30.8	50.5	50.5	70	Φ3.8
V80	ABS	White gray	Φ88	100	100	36	71.5	71.5	94.8	Φ3.3
V60S	Polycarbonate	Light gray	Φ63	74.5	74.5	30.8	50.5	50.5	70	Φ3.8
V80S	Polycarbonate	Light gray	Φ88	100	100	36	71.5	71.5	94.8	Φ3.3

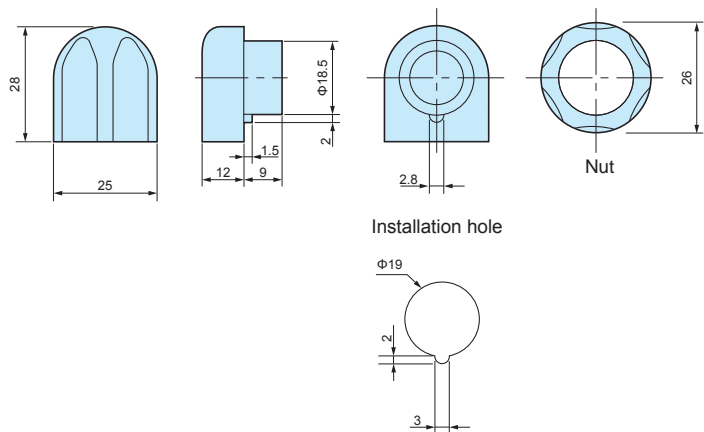
■ O-ring material: NBR Black

VF SERIES

VENTILATION PARTS



VF-1



Technical Data	
Protection class:	VF-1 IP33 VF-2 IP24

Product no.

Product no.	Material / Color
VF-1	Polyamide / White gray
VF-2	Polyamide / White gray

VF-2

