

**UCC SERIES**

**MOUNTING PLATE for UC**

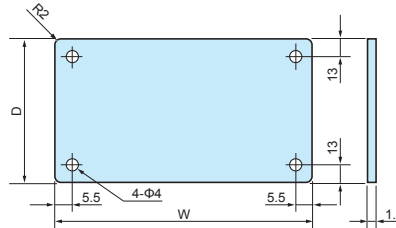
■ Drawings below are reference examples only.  
DXF/DWG/PDF drawings available on our website.

**Components**

| Part name      | Pcs | Material               | Color / Finish     |
|----------------|-----|------------------------|--------------------|
| Mounting plate | 1   | Aluminium A1050P t=1.5 | Unfinished         |
| Screw          | 4   | Steel M3-5             | Trivalent chromate |

■ See "Suitable cases" on the chart below for matching cases.

**Type A**

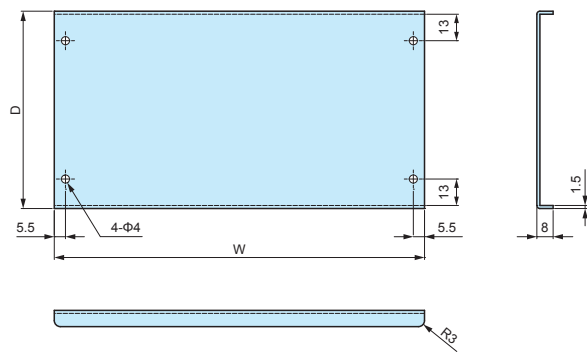
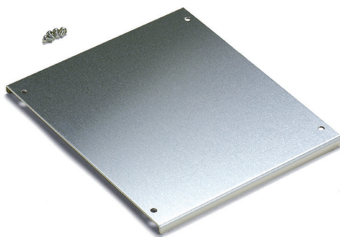


**Product no. / Dimensions (Type A)**

| Product no. | Suitable cases | W   | D   |
|-------------|----------------|-----|-----|
| UCC 6- 8    | UC 6- 3- 8     | 43  | 58  |
| UCC 7-10    | UC 7- 3-10     | 58  | 78  |
| UCC 8- 6    | UC 8- 3- 6     | 63  | 38  |
| UCC11- 8    | UC 11- 3- 8    | 93  | 58  |
|             | UC 11- 5- 8    |     |     |
| UCC 9-12    | UC 9- 5-12     | 72  | 94  |
| UCC10-14    | UC 10- 4-14    | 82  | 94  |
| UCC12-16    | UC 12- 7-16    | 101 | 110 |
| UCC13-18    | UC 13- 4-18    | 111 | 130 |
| UCC15-20    | UC 15- 8-20    | 131 | 150 |
|             | UCG15- 9-20    |     |     |

| Product no. | Suitable cases | W   | D   |
|-------------|----------------|-----|-----|
| UCC14-10    | UC 14- 4-10    | 123 | 78  |
|             | UC 14- 6-10    |     |     |
| UCC15-12    | UC 15-10-12    | 132 | 94  |
| UCC17-12    | UC 17- 5-12    | 152 | 94  |
|             | UC 17- 7-12    |     |     |
| UCC 7-14    | UC 7- 8-14     | 57  | 94  |
| UCC10-18    | UC 10-11-18    | 81  | 130 |
| UCC12-22    | UC 12-14-22    | 101 | 170 |
|             | UCY12-14-22    |     |     |

**Type B**

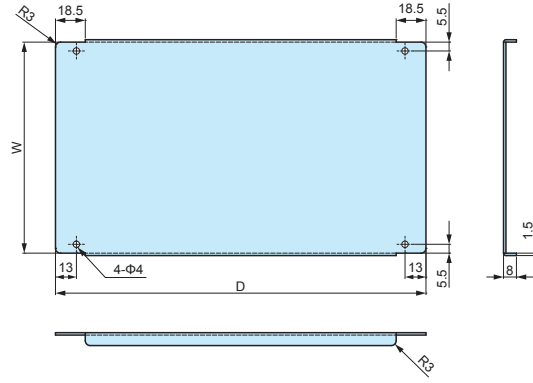


**Product no. / Dimensions (Type B)**

| Product no. | Suitable cases | W   | D   |
|-------------|----------------|-----|-----|
| UCC16-22    | UC 16- 5-22    | 146 | 173 |
| UCC18-24    | UC 18-10-24    | 161 | 193 |
|             | UCY18-10-24    |     |     |
| UCC20-14    | UCG18-10-24    | 182 | 97  |
|             | UC 20- 5-14    |     |     |
|             | UC 20- 8-14    |     |     |
| UCC22-26    | UCG20- 9-14    | 201 | 213 |
|             | UC 22-12-26    |     |     |
| UCC20-16    | UC 20-12-16    | 181 | 113 |
| UCC26-18    | UC 26- 5-18    | 241 | 133 |
|             | UC 26-10-18    |     |     |
|             | UCG26-10-18    |     |     |

| Product no. | Suitable cases | W   | D   |
|-------------|----------------|-----|-----|
| UCC26-20    | UC 26- 7-20    | 241 | 153 |
| UCC32-22    | UC 32- 5-22    | 301 | 173 |
|             | UCG32-12-22    |     |     |
| UCC32-24    | UC 32- 8-24    | 301 | 193 |
| UCC35-26    | UC 35-13-26    | 331 | 213 |
| UCC43-28    | UC 43- 5-28    | 411 | 233 |
|             | UC 43-14-28    |     |     |

Type C



**Product no. / Dimensions (Type C)**

| Product no. | Suitable cases | W     | D   |
|-------------|----------------|-------|-----|
| UCC15-28    | UC 15-18-28    | 134   | 230 |
|             | UCY15-18-28    |       |     |
| UCC18-34    | UC 18-21-34    | 163.6 | 290 |
| UCC24-34    | UC 24-14-34    | 223.6 | 290 |

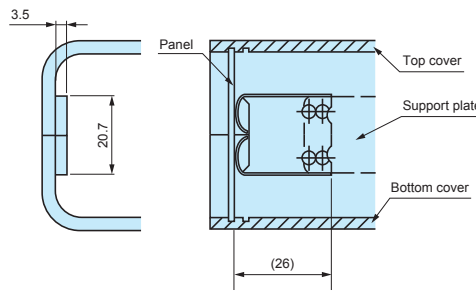
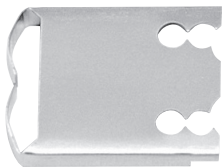
**UCF-26**

**PANEL RETAINER for UC**

- Use to minimize panel vibration.
- Possible to use with UCK-P mounting bracket.

**Installation drawings**

■ UCF-26 and the joint plate on UC case with screw fastening.

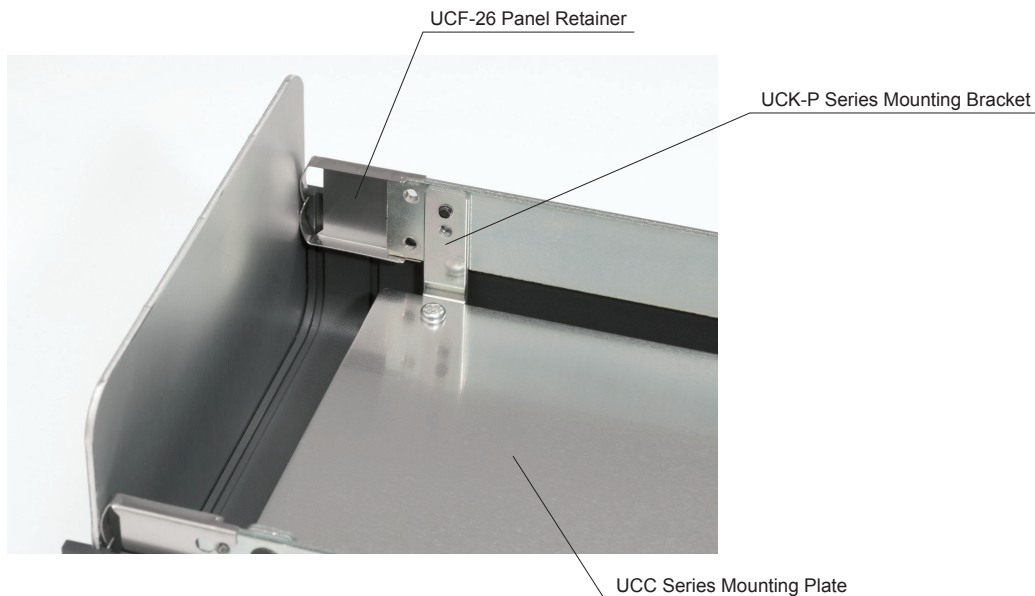


**Product no.**

| Product no. | Material              | Finish     | Pack of |
|-------------|-----------------------|------------|---------|
| UCF-26      | Stainless steel t=0.3 | Unfinished | 2       |

■ Not applicable for use on 60, 80, 100 and 120 "D" dimension cases.

**Installation Example**



**UCK-P SERIES**

**MOUNTING BRACKET for UC**



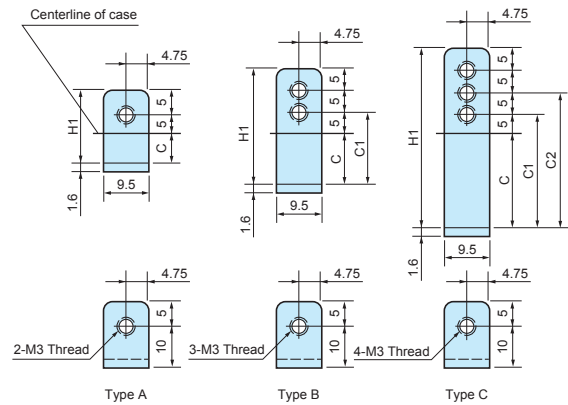
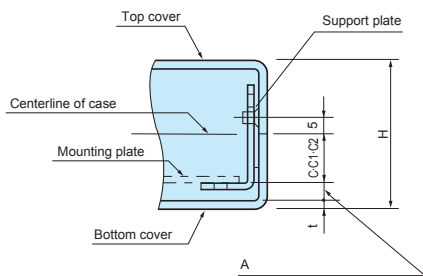
**Product no. / Dimensions**

| Product no. | Type | H1  | C  | C1 | C2 | Pack of |
|-------------|------|-----|----|----|----|---------|
| UCK-P 13    | A    | 13  | 3  | —  | —  | 4       |
| UCK-P 17    | A    | 17  | 7  | —  | —  | 4       |
| UCK-P 27    | B    | 27  | 12 | 17 | —  | 4       |
| UCK-P 42    | C    | 42  | 22 | 27 | 32 | 4       |
| UCK-P 57    | C    | 57  | 37 | 42 | 47 | 4       |
| UCK-P 72    | C    | 72  | 52 | 57 | 62 | 4       |
| UCK-P 87    | C    | 87  | 67 | 72 | 77 | 4       |
| UCK-P102    | C    | 102 | 82 | 87 | 92 | 4       |

■ Screws are not included (screw set available with UC case)

■ Material / Finish : Steel SPCC t=1.6 / Trivalent chromate

■ Drawings below are reference examples only.  
DXF/DWG/PDF drawings available on our website.



■ Calculation formula for A dimension

(Case height (H) / 2) - (C, C1 or C2 + Bottom cover thickness) = A dimension.  
Use either C, C1 or C2 values from chart above.

**Bracket matching chart / A dimension**

| Product no. (Case) | Bracket no. | A    |     |   |
|--------------------|-------------|------|-----|---|
| UC 6- 3- 8         | UCK-P 13    | 12.5 |     |   |
|                    | UCK-P 17    | 8.5  |     |   |
| UC 7- 3-10         | UCK-P 13    | 10   |     |   |
|                    | UCK-P 17    | 6    |     |   |
| UC 9- 5-12         | UCK-P 17    | 15.5 |     |   |
|                    | UCK-P 27    | 10.5 | 5.5 |   |
| UC 10- 4-14        | UCK-P 13    | 14.5 |     |   |
|                    | UCK-P 17    | 10.5 |     |   |
|                    | UCK-P 27    | 5.5  |     |   |
| UC 12- 7-16        | UCK-P 27    | 15   |     |   |
|                    | UCK-P 42    | 10   |     |   |
| UC 13- 4-18        | UCK-P 13    | 14   |     |   |
|                    | UCK-P 17    | 10   |     |   |
| UC 15- 8-20        | UCK-P 42    | 15   | 10  | 5 |
| UC 16- 5-22        | UCK-P 13    | 19   |     |   |
|                    | UCK-P 17    | 15   |     |   |
|                    | UCK-P 27    | 10   |     |   |
| UC 24-14-34        | UCK-P 57    | 19.8 |     |   |
|                    | UCK-P 72    | 14.8 | 9.8 |   |
| UC 8- 3- 6         | UCK-P 13    | 10   |     |   |
|                    | UCK-P 17    | 6    |     |   |
| UC 11- 3- 8        | UCK-P 13    | 10   |     |   |
|                    | UCK-P 17    | 6    |     |   |
| UC 11- 5- 8        | UCK-P 17    | 16   |     |   |
|                    | UCK-P 27    | 11   | 6   |   |

| Product no. (Case) | Bracket no. | A    |      |    |
|--------------------|-------------|------|------|----|
| UC 14- 4-10        | UCK-P 13    | 15   |      |    |
|                    | UCK-P 17    | 11   |      |    |
|                    | UCK-P 27    | 6    |      |    |
| UC 14- 6-10        | UCK-P 27    | 16   | 11   |    |
|                    | UCK-P 42    | 6    |      |    |
| UCG 15- 9-20       | UCK-P 42    | 10   |      |    |
|                    | UCK-P 57    | 10   |      |    |
| UC 15-10-12        | UCK-P 42    | 20.5 | 15.5 |    |
|                    | UCK-P 57    | 10.5 | 5.5  |    |
| UC 17- 5-12        | UCK-P 17    | 15.5 |      |    |
|                    | UCK-P 27    | 10.5 | 5.5  |    |
| UC 17- 7-12        | UCK-P 27    | 15.5 |      |    |
|                    | UCK-P 42    | 10.5 | 5.5  |    |
|                    | UCK-P 57    | 10.5 |      |    |
| UC 20- 5-14        | UCK-P 13    | 19.5 |      |    |
|                    | UCK-P 17    | 15.5 |      |    |
|                    | UCK-P 27    | 10.5 | 5.5  |    |
| UC 20- 8-14        | UCK-P 27    | 20.5 |      |    |
|                    | UCK-P 42    | 15.5 | 10.5 |    |
| UCG 20- 9-14       | UCK-P 42    | 5    |      |    |
|                    | UCK-P 57    | 5    |      |    |
| UC 20-12-16        | UCK-P 57    | 20   | 15   | 10 |
| UC 26- 5-18        | UCK-P 13    | 19   |      |    |
|                    | UCK-P 17    | 15   |      |    |
|                    | UCK-P 27    | 10   |      |    |
| UC 26-10-18        | UCK-P 42    | 20   | 15   |    |
|                    | UCK-P 57    | 10   |      |    |

| Product no. (Case) | Bracket no. | A    |      |     |
|--------------------|-------------|------|------|-----|
| UC 26- 7-20        | UCK-P 27    | 15   |      |     |
|                    | UCK-P 42    | 10   |      |     |
| UC 18-10-24        | UCK-P 42    | 20   | 15   |     |
| UCY 18-10-24       |             | 10   |      |     |
| UCG 18-10-24       | UCK-P 57    | 10   |      |     |
| UC 22-12-26        | UCK-P 57    | 20   | 15   | 10  |
| UC 32- 5-22        | UCK-P 13    | 19   |      |     |
|                    | UCK-P 17    | 15   |      |     |
|                    | UCK-P 27    | 10   |      |     |
| UC 32-12-22        | UCK-P 57    | 20   | 15   | 10  |
| UCG 32-12-22       |             | 10   |      |     |
| UC 32- 8-24        | UCK-P 42    | 15   | 10   | 5   |
| UC 35-13-26        | UCK-P 57    | 25   | 20   | 15  |
|                    | UCK-P 72    | 10   | 5    |     |
| UC 43- 5-28        | UCK-P 13    | 19   |      |     |
|                    | UCK-P 17    | 15   |      |     |
|                    | UCK-P 27    | 10   |      |     |
| UC 43-14-28        | UCK-P 57    | 20   |      |     |
|                    | UCK-P 72    | 15   | 10   |     |
| UC 7- 8-14         | UCK-P 42    | 18   | 13   | 8   |
| UC 10-11-18        | UCK-P 57    | 15   | 10   | 5   |
| UC 12-14-22        | UCK-P 72    | 15   | 10   | 5   |
| UCY 12-14-22       |             | 5    |      |     |
| UC 15-18-28        | UCK-P 87    | 20   | 15   | 10  |
| UCY 15-18-28       |             | 10   |      |     |
| UC 18-21-34        | UCK-P102    | 19.8 | 14.8 | 9.8 |