

UCC SERIES

MOUNTING PLATE for UC

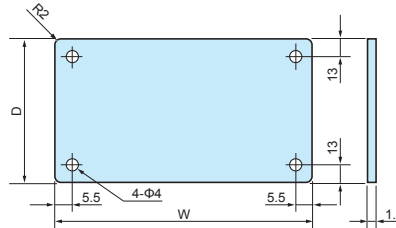
■ Drawings below are reference examples only.
DXF/DWG/PDF drawings available on our website.

Components

Part name	Pcs	Material	Color / Finish
Mounting plate	1	Aluminium A1050P t=1.5	Unfinished
Screw	4	Steel M3-5	Trivalent chromate

■ See "Suitable cases" on the chart below for matching cases.

Type A

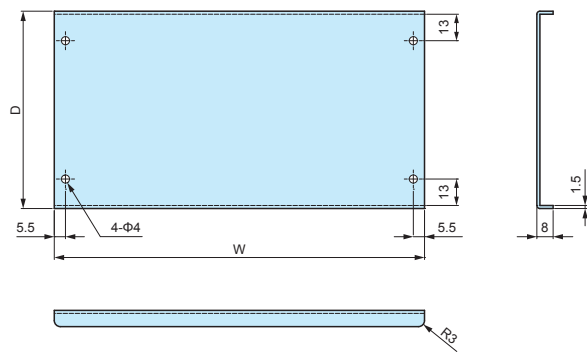
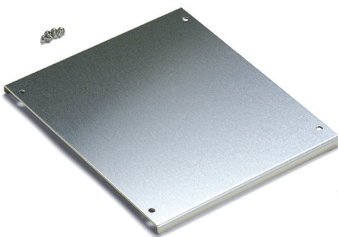


Product no. / Dimensions (Type A)

Product no.	Suitable cases	W	D
UCC 6- 8	UC 6- 3- 8	43	58
UCC 7-10	UC 7- 3-10	58	78
UCC 8- 6	UC 8- 3- 6	63	38
UCC11- 8	UC 11- 3- 8	93	58
	UC 11- 5- 8		
UCC 9-12	UC 9- 5-12	72	94
UCC10-14	UC 10- 4-14	82	94
UCC12-16	UC 12- 7-16	101	110
UCC13-18	UC 13- 4-18	111	130
UCC15-20	UC 15- 8-20	131	150
	UCG15- 9-20		

Product no.	Suitable cases	W	D
UCC14-10	UC 14- 4-10	123	78
	UC 14- 6-10		
UCC15-12	UC 15-10-12	132	94
UCC17-12	UC 17- 5-12	152	94
	UC 17- 7-12		
UCC 7-14	UC 7- 8-14	57	94
UCC10-18	UC 10-11-18	81	130
UCC12-22	UC 12-14-22	101	170
	UCY12-14-22		

Type B

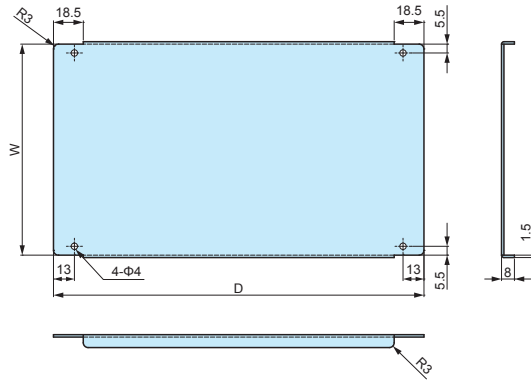


Product no. / Dimensions (Type B)

Product no.	Suitable cases	W	D
UCC16-22	UC 16- 5-22	146	173
UCC18-24	UC 18-10-24	161	193
	UCY18-10-24		
UCC20-14	UCG18-10-24	182	97
	UC 20- 5-14		
	UC 20- 8-14		
UCC22-26	UCG20- 9-14	201	213
	UC 22-12-26		
UCC20-16	UC 20-12-16	181	113
UCC26-18	UC 26- 5-18	241	133
	UC 26-10-18		
	UCG26-10-18		

Product no.	Suitable cases	W	D
UCC26-20	UC 26- 7-20	241	153
UCC32-22	UC 32- 5-22	301	173
	UCG32-12-22		
UCC32-24	UC 32- 8-24	301	193
UCC35-26	UC 35-13-26	331	213
UCC43-28	UC 43- 5-28	411	233
	UC 43-14-28		

Type C



Product no. / Dimensions (Type C)

Product no.	Suitable cases	W	D
UCC15-28	UC 15-18-28	134	230
	UCY15-18-28		
UCC18-34	UC 18-21-34	163.6	290
UCC24-34	UC 24-14-34	223.6	290

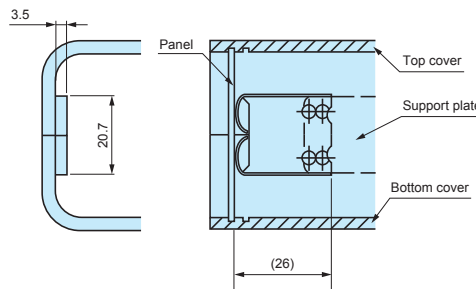
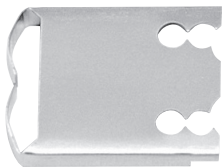
UCF-26

PANEL RETAINER for UC

- Use to minimize panel vibration.
- Possible to use with UCK-P mounting bracket.

Installation drawings

■ UCF-26 and the joint plate on UC case with screw fastening.

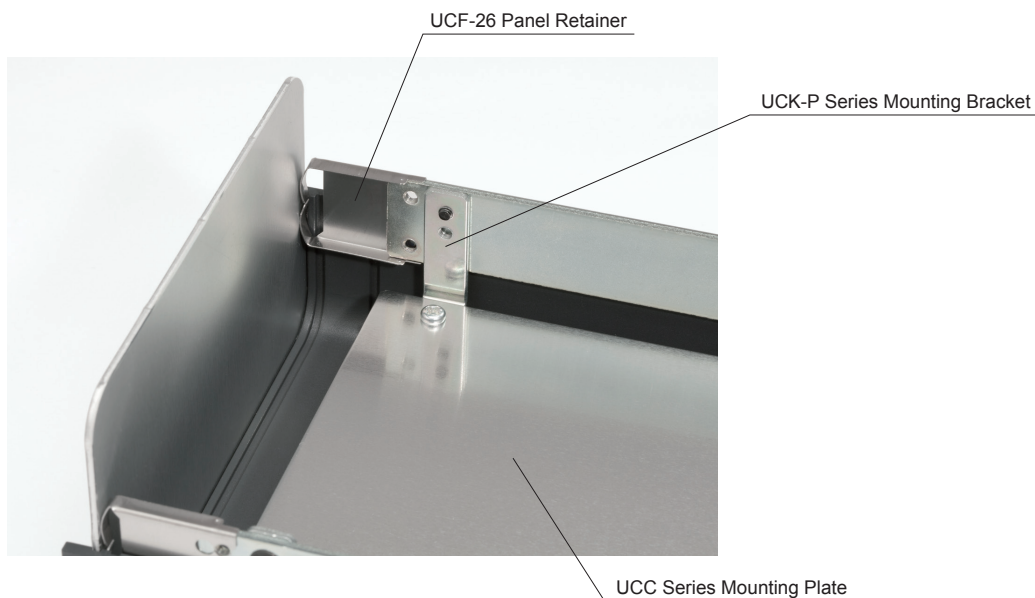


Product no.

Product no.	Material	Finish	Pack of
UCF-26	Stainless steel t=0.3	Unfinished	2

■ Not applicable for use on 60, 80, 100 and 120 "D" dimension cases.

Installation Example



UCK-P SERIES

MOUNTING BRACKET for UC



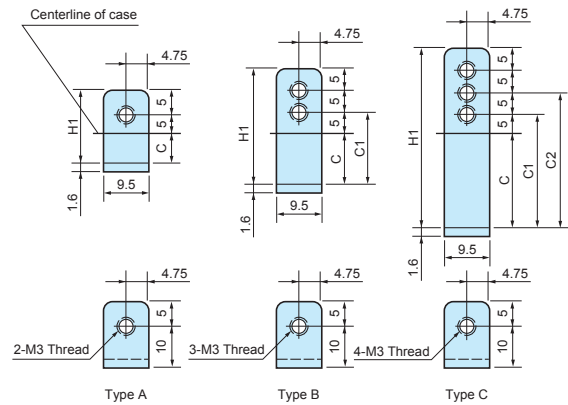
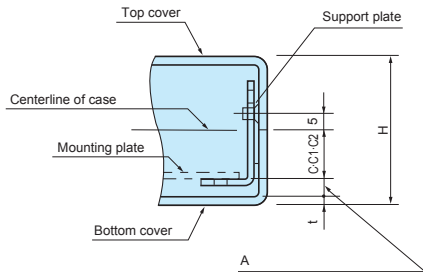
Product no. / Dimensions

Product no.	Type	H1	C	C1	C2	Pack of
UCK-P 13	A	13	3	—	—	4
UCK-P 17	A	17	7	—	—	4
UCK-P 27	B	27	12	17	—	4
UCK-P 42	C	42	22	27	32	4
UCK-P 57	C	57	37	42	47	4
UCK-P 72	C	72	52	57	62	4
UCK-P 87	C	87	67	72	77	4
UCK-P102	C	102	82	87	92	4

■ Screws are not included (screw set available with UC case)

■ Material / Finish : Steel SPCC t=1.6 / Trivalent chromate

■ Drawings below are reference examples only.
DXF/DWG/PDF drawings available on our website.



■ Calculation formula for A dimension

(Case height (H) / 2) - (C, C1 or C2 + Bottom cover thickness) = A dimension.
Use either C, C1 or C2 values from chart above.

Bracket matching chart / A dimension

Product no. (Case)	Bracket no.	A
UC 6- 3- 8	UCK-P 13	12.5
	UCK-P 17	8.5
UC 7- 3-10	UCK-P 13	10
	UCK-P 17	6
UC 9- 5-12	UCK-P 17	15.5
	UCK-P 27	10.5 5.5
UC 10- 4-14	UCK-P 13	14.5
	UCK-P 17	10.5
	UCK-P 27	5.5
UC 12- 7-16	UCK-P 27	15
	UCK-P 42	10
UC 13- 4-18	UCK-P 13	14
	UCK-P 17	10
UC 15- 8-20	UCK-P 42	15 10 5
	UCK-P 13	19
	UCK-P 17	15
UC 16- 5-22	UCK-P 27	10
	UCK-P 13	19.8
UC 24-14-34	UCK-P 72	14.8 9.8
	UCK-P 13	10
UC 8- 3- 6	UCK-P 17	6
	UCK-P 13	10
UC 11- 3- 8	UCK-P 17	6
	UCK-P 13	10
UC 11- 5- 8	UCK-P 17	16
	UCK-P 27	11 6

Product no. (Case)	Bracket no.	A
UC 14- 4-10	UCK-P 13	15
	UCK-P 17	11
	UCK-P 27	6
UC 14- 6-10	UCK-P 27	16 11
	UCK-P 42	6
UCG 15- 9-20	UCK-P 42	10
	UCK-P 57	10
UC 15-10-12	UCK-P 42	20.5 15.5
	UCK-P 57	10.5 5.5
UC 17- 5-12	UCK-P 17	15.5
	UCK-P 27	10.5 5.5
UC 17- 7-12	UCK-P 27	15.5
	UCK-P 42	10.5 5.5
UC 20- 5-14	UCK-P 13	19.5
	UCK-P 17	15.5
	UCK-P 27	10.5 5.5
UC 20- 8-14	UCK-P 27	20.5
	UCK-P 42	15.5 10.5
UCG 20- 9-14	UCK-P 42	5
	UCK-P 57	5
UC 20-12-16	UCK-P 57	20 15 10
UC 26- 5-18	UCK-P 13	19
	UCK-P 17	15
	UCK-P 27	10
UC 26-10-18	UCK-P 42	20 15
	UCK-P 57	10

Product no. (Case)	Bracket no.	A
UC 26- 7-20	UCK-P 27	15
	UCK-P 42	10
UC 18-10-24	UCK-P 42	20 15
UCY 18-10-24	UCK-P 57	10
UCG 18-10-24	UCK-P 57	10
UC 22-12-26	UCK-P 57	20 15 10
UC 32- 5-22	UCK-P 13	19
	UCK-P 17	15
	UCK-P 27	10
UC 32-12-22	UCK-P 57	20 15 10
UCG 32-12-22	UCK-P 57	20 15 10
UC 32- 8-24	UCK-P 42	15 10 5
UC 35-13-26	UCK-P 57	25 20 15
	UCK-P 72	10 5
UC 43- 5-28	UCK-P 13	19
	UCK-P 17	15
	UCK-P 27	10
UC 43-14-28	UCK-P 57	20
	UCK-P 72	15 10
UC 7- 8-14	UCK-P 42	18 13 8
UC 10-11-18	UCK-P 57	15 10 5
UC 12-14-22	UCK-P 72	15 10 5
UCY 12-14-22	UCK-P 72	15 10 5
UC 15-18-28	UCK-P 87	20 15 10
UCY 15-18-28	UCK-P 87	20 15 10
UC 18-21-34	UCK-P102	19.8 14.8 9.8