

TWS SERIES

PLASTIC ENCLOSURE with SILICONE PROTECTOR

Universal plastic enclosure with protective silicone protectors which functions both as an anti-slip grip and impact protection. Available in 11 sizes and selectable in 18 different color combinations. Suitable for measuring instruments, wireless communication devices, portable controller, data logger, and so on.

APPLICATION EXAMPLE

DIGITAL POWER AMPLIFIER Product by Dream Co., Ltd. (Japan)



GPS DATA LOGGER Product by Reds Fixit Shop (USA)



6 CHANNEL DATA LOGGER Product by Irisense Limited (UK)



WIRELESS GATEWAY Product by Bresimar Automação (Portugal)



SOLAR ARRAY TESTER Product by System JD (Japan)



SOLAR CELL BYPASS DIODE CHECKER Product by Nippon Kernel System (Japan)



SOLAR PANEL PV RESISTANCE CHECKER Product by Shin-ei Electronic Measuring (Japan)



VIBROMETER Product by Sigma Electronics (Japan)



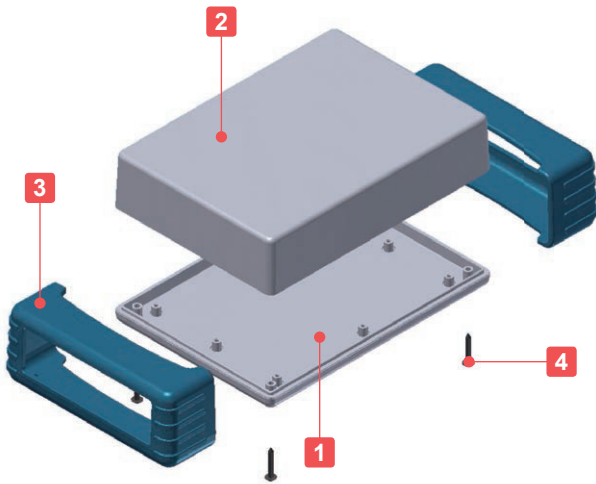
TWS SERIES

PLASTIC ENCLOSURE with SILICONE PROTECTOR



Technical Data

Protection class: IP40
 Operating temperature: -10°C ~ +60°C



- Universal plastic enclosure with protective silicone protectors which functions both as an anti-slip grip and impact protection.
- Available in 11 sizes and selectable in 18 different color combinations.
- Enclosure is in B (Black), G (Light gray), and W (Off-white) model (off-white color type uses ABS UL94V-0 material).
- Plastic case and protective silicone with screw fastening.

Components

No.	Part name	Pcs	Material : Color / Finish
1	Cover	1	ABS UL94HB : Black • Light gray - ABS UL94V-0 : Off-white
2	Bottom base	1	ABS UL94HB : Black • Light gray - ABS UL94V-0 : Off-white
3	Silicone protector	2	Silicone : Pink • Yellow • Green • Navy • Light gray • Black
4	Self tapping screw	4	Steel M3-20 / Black trivalent chromate

Accessories (Optional parts)



Snap-in battery box LD • LDN series
 See page LD • LDN-1 ~ LD • LDN-2



Tapping standoff TPS series
 See page TPS • MT-1



PCB mounting screw EM series
 See page EM • MR-1

Color Type

Code	B P Black / Pink	B Y Black / Yellow	B G Black / Green	B N Black / Navy	B L Black / Light gray	B B Black / Black
Color						
Code	G P Light gray / Pink	G Y Light gray / Yellow	G G Light gray / Green	G N Light gray / Navy	G L Light gray / Light gray	G B Light gray / Black
Color						
Code	W P Off-white / Pink	W Y Off-white / Yellow	W G Off-white / Green	W N Off-white / Navy	W L Off-white / Light gray	W B Off-white / Black
Color						

■ Note: Enclosure material varies depending on color. Black and Light gray are ABS UL94HB; Off-white is ABS UL94V-0.

ABS UL94HB (Black • Light gray enclosure)

Product no. / Dimensions

■ Please suffix color code at the end of the product number.

Product no.	W	H	D	Plastic case material	Weight (g)
TWS 7-3-13□□	71(65)	32(25.6)	136(130)	ABS UL94HB	117
TWS 7-5-13□□	71(65)	56(50.1)	136(130)	ABS UL94HB	147.5
TWS 9-4-17□□	91.5(85.5)	41.5(35.5)	176(170)	ABS UL94HB	193
TWS 9-6-17□□	91.5(85.5)	66.5(60.5)	176(170)	ABS UL94HB	243
TWS11-5-22□□	116(110)	51.5(45.3)	226(220)	ABS UL94HB	325.5
TWS11-8-22□□	116(110)	81.5(75.3)	226(220)	ABS UL94HB	399
TWS13-3-13□□	131(125)	31(25)	131(125)	ABS UL94HB	222
TWS13-5-13□□	131(125)	51(45)	131(125)	ABS UL94HB	269.5
TWS13-3-18□□	131(125)	31(25)	181(175)	ABS UL94HB	271.5
TWS13-5-18□□	131(125)	51(45)	181(175)	ABS UL94HB	322
TWS13-7-18□□	131(125)	71(65)	181(175)	ABS UL94HB	371

■ () value = enclosure dimension.

ABS UL94V-0 (Off-white enclosure)

Product no. / Dimensions

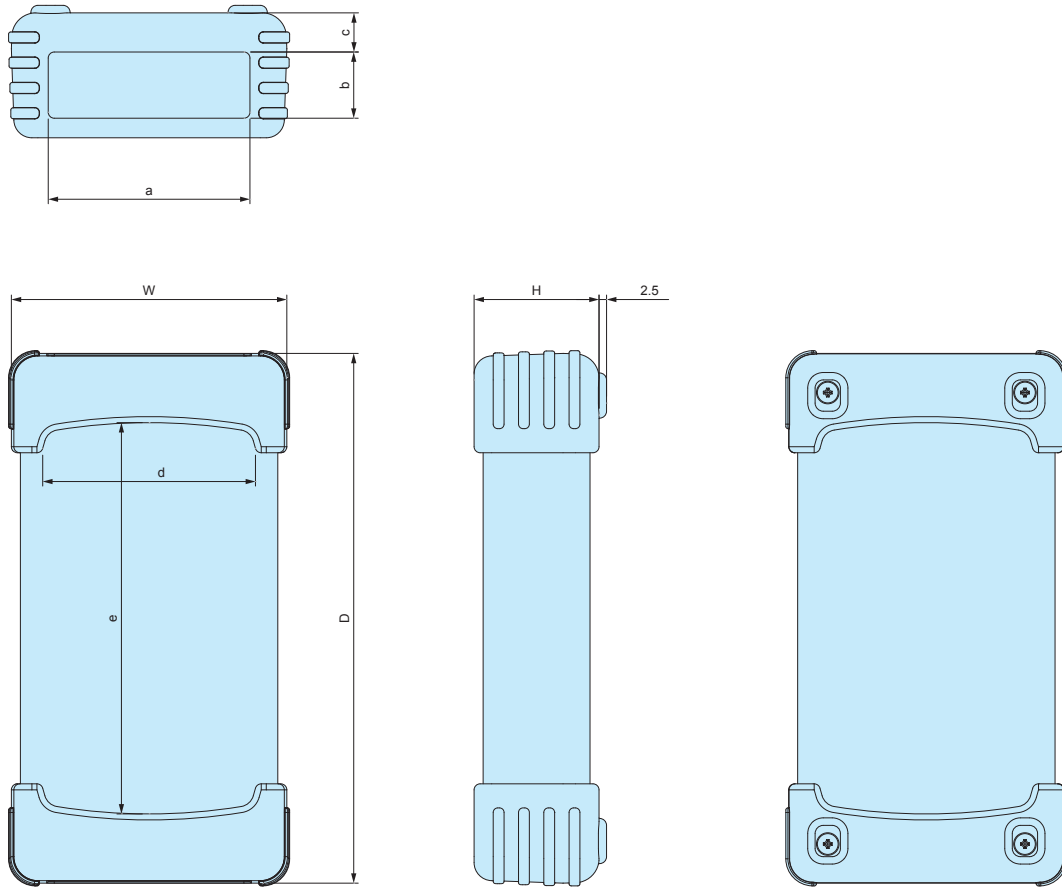
■ Please suffix color code at the end of the product number.

Product no.	W	H	D	Plastic case material	Weight (g)
TWS 7-3-13W□	71(65)	32(25.6)	136(130)	ABS UL94V-0	126
TWS 7-5-13W□	71(65)	56(50.1)	136(130)	ABS UL94V-0	163
TWS 9-4-17W□	91.5(85.5)	41.5(35.5)	176(170)	ABS UL94V-0	211
TWS 9-6-17W□	91.5(85.5)	66.5(60.5)	176(170)	ABS UL94V-0	266
TWS11-5-22W□	116(110)	51.5(45.3)	226(220)	ABS UL94V-0	356.5
TWS11-8-22W□	116(110)	81.5(75.3)	226(220)	ABS UL94V-0	438
TWS13-3-13W□	131(125)	31(25)	131(125)	ABS UL94V-0	243.5
TWS13-5-13W□	131(125)	51(45)	131(125)	ABS UL94V-0	294
TWS13-3-18W□	131(125)	31(25)	181(175)	ABS UL94V-0	293.5
TWS13-5-18W□	131(125)	51(45)	181(175)	ABS UL94V-0	353
TWS13-7-18W□	131(125)	71(65)	181(175)	ABS UL94V-0	407.5

■ () value = enclosure dimension.

TWS dimensions

- Drawings below are reference examples only. DXF/DWG/PDF drawings available on our website.
- Refer to page 98 for detailed internal enclosure dimensions.

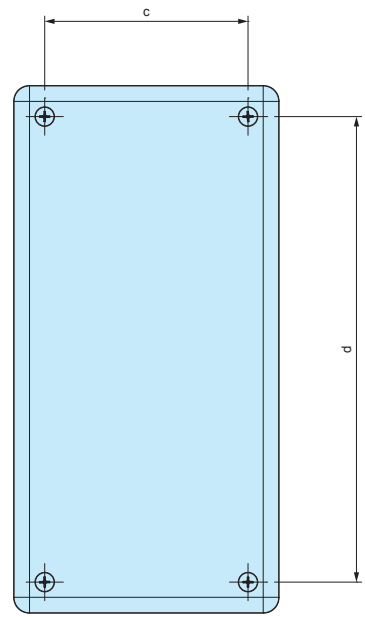
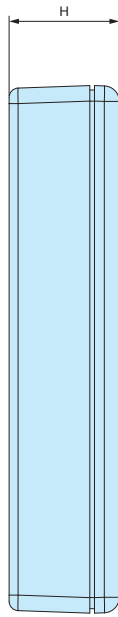
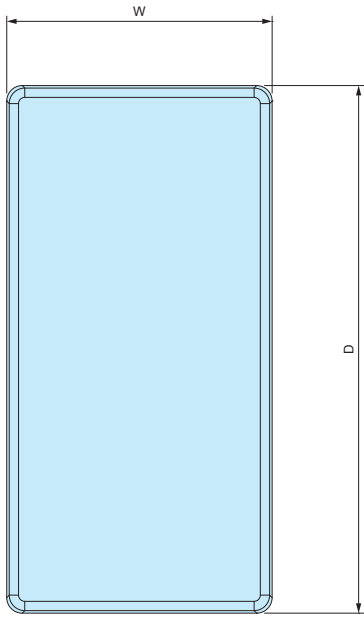
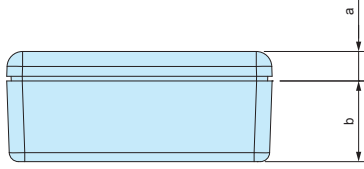


■ Please suffix color code at the end of the product number.

Product no.	W	H	D	a	b	c	d	e
TWS 7-3-13□□	71	32	136	52	13.5	11.8	54	98
TWS 7-5-13□□	71	56	136	52	37.5	11.9	54	98
TWS 9-4-17□□	91.5	41.5	176	67	22	13	71	130
TWS 9-6-17□□	91.5	66.5	176	67	46.5	13.3	71	130
TWS11-5-22□□	116	51.5	226	80	29	14.3	89	166
TWS11-8-22□□	116	81.5	226	80	58	14.5	89	166
TWS13-3-13□□	131	31	131	101	13	12	104	76
TWS13-5-13□□	131	51	131	101	29.5	13.5	104	76
TWS13-3-18□□	131	31	181	101	13	12	104	126
TWS13-5-18□□	131	51	181	101	29.5	13.5	104	126
TWS13-7-18□□	131	71	181	101	48.5	14	104	126

Enclosure dimensions

■ Refer to page 98 for detailed enclosure dimensions.



■ Please suffix color code at the end of the product number.

Product no.	W	H	D	a	b	c	d
TWS 7-3-13□□	65	25.6	130	8.1	17.5	47	112
TWS 7-5-13□□	65	50.1	130	8.1	42	47	112
TWS 9-4-17□□	85.5	35.5	170	9.5	26	65.5	150
TWS 9-6-17□□	85.5	60.5	170	9.5	51	65.5	150
TWS11-5-22□□	110	45.3	220	10.3	35	88	198
TWS11-8-22□□	110	75.3	220	10.3	65	88	198
TWS13-3-13□□	125	25	125	8.5	16.5	107	107
TWS13-5-13□□	125	45	125	8.5	36.5	107	107
TWS13-3-18□□	125	25	175	8.5	16.5	105	155
TWS13-5-18□□	125	45	175	8.5	36.5	105	155
TWS13-7-18□□	125	65	175	8.5	56.5	105	155

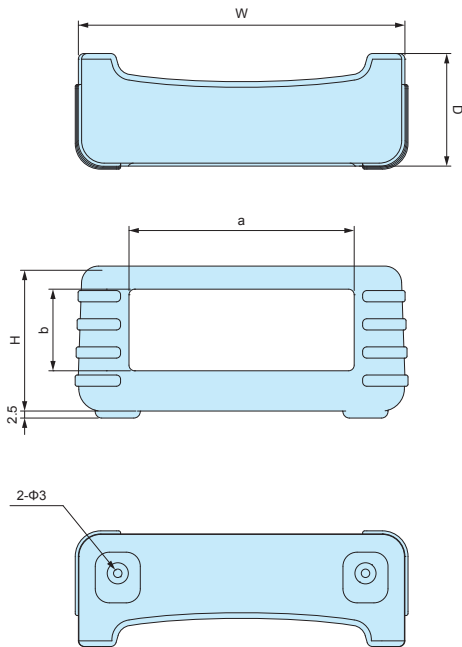
TWSC SERIES SILICONE PROTECTOR for TW•TWN

Color Type



- Silicone Protector for TW • TWN series. Selectable in 6 colors.
- Please select a model based on the suitable plastic case as listed below. The silicone protector is a set of 2 pcs.
- Custom color is available from 500 pairs per order. Please specify the **PANTONE®** color number or provide your sample color.

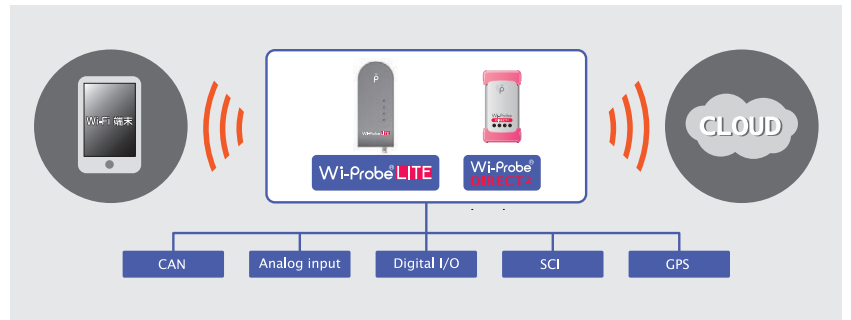
■ DXF/DWG/PDF drawings available on our website.



APPLICATION EXAMPLE

Wi-Fi DIRECT DATA LOGGER

Product by Tkcc (Japan)



Components

Part name	Pcs	Material	Color / Finish
Silicone protector	1 set (2 pcs)	Silicone	Pink • Yellow • Green • Navy • Light gray • Black
Self tapping screw	4	Steel M3-20	Black trivalent chromate

Product no. / Dimensions

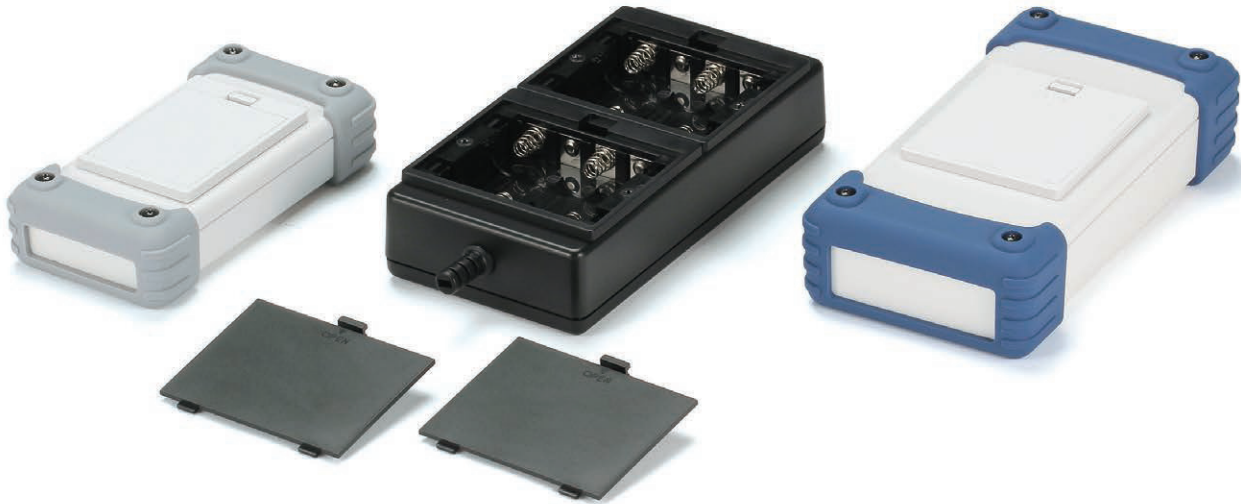
■ Please suffix color code at the end of the product number.

Product no.	W	H	D	a	b	c	d	e	f	g	h	Suitable case	Weight (g)
TWSC 7-3□	71	32	27	52	13.5	3.2	3.3	12	47	12	15	TW / TWN 7-3-13	41
TWSC 7-5□	71	56	27	52	37.5	3.15	3.1	12	47	12	15	TW / TWN 7-5-13	47.5
TWSC 9-4□	91.5	41.5	33	67	22	3.1	3.15	13	65.5	13	20	TW / TWN 9-4-17	60
TWSC 9-6□	91.5	66.5	33	67	46.5	3.2	3.3	13	65.5	13	20	TW / TWN 9-6-17	75
TWSC11-5□	116	51.5	40	80	29	3.25	3.3	14	88	14	26	TW / TWN11-5-22	102.5
TWSC11-8□	116	81.5	40	80	58	3.2	3.3	14	88	14	26	TW / TWN11-8-22	122
TWSC13-3□	131	31	38	101	13	3.15	3.2	13	105	13	25	TW / TWN13-3-13 TW / TWN13-3-18	87
TWSC13-5□	131	51	38	101	29.5	3.3	3.3	13	105	13	25	TW / TWN13-5-13 TW / TWN13-5-18	104
TWSC13-7□	131	71	38	101	48.5	3.3	3.3	13	105	13	25	TW / TWN13-7-18	117

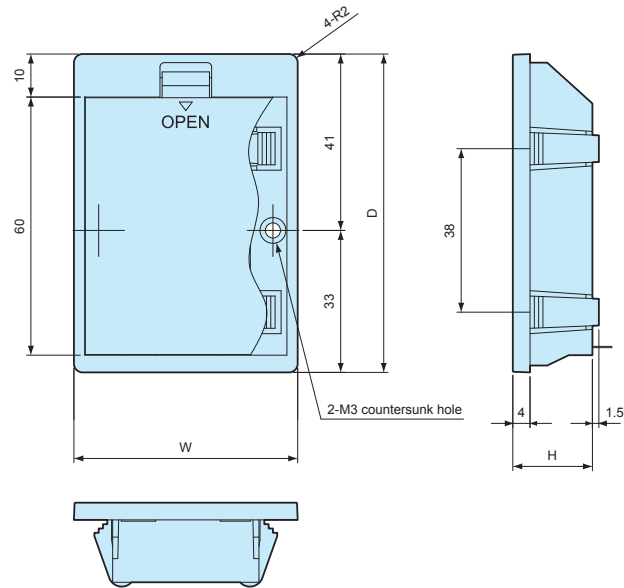
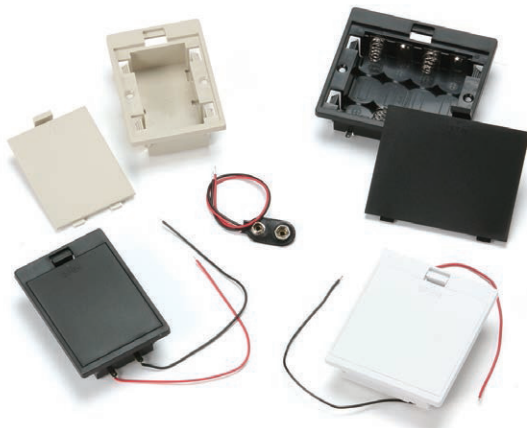
LD • LDN SERIES

SNAP-IN BATTERY BOX

Snap-in battery holders are available for installation onto TWS • TW • TWN series.
Hole milling is required for installation of battery holder.



■ Drawings below are reference examples only.
DXF/DWG/PDF drawings available on our website.



Color Type

Code	Color	Material
G	Light gray	ABS UL94HB
B	Black	ABS UL94HB
W	White	PC+ABS UL94V-0

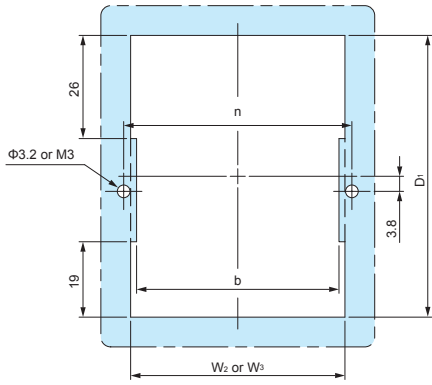
※ See website for more details

Product no. / Dimensions

Product no.			Battery compartment	Dimensions		TWS • TW • TWN suitable models
● Light gray	● Black	● White		W	H	
LD-006PG LDN-006PG	LD-006PB LDN-006PB	LD-006PW LDN-006PW	9V x 1	52	21.5	7-5-11, 7-5-13, 8-4-8, 9-4-17, 9-6-17, 11-5-22, 11-8-22, 13-3-13, 13-5-13, 13-3-18, 13-5-18, 13-7-18
LD-2G LDN-2G	LD-2B LDN-2B	LD-2W LDN-2W	AA x 2	52	18.5	7-4-11, 7-5-11, 7-3-13, 7-5-13, 8-2-8, 8-4-8, 9-4-17, 9-6-17, 11-5-22, 11-8-22, 13-3-13, 13-5-13, 13-3-18, 13-5-18, 13-7-18
LD-3G LDN-3G	LD-3B LDN-3B	LD-3W LDN-3W	AA x 3	64.5	18.5	7-4-11, 7-5-11, 9-4-17, 9-6-17, 11-5-22, 11-8-22, 13-3-13, 13-5-13, 13-3-18, 13-5-18, 13-7-18
LD-4G LDN-4G	LD-4B LDN-4B	LD-4W LDN-4W	AA x 4	82	18.5	9-4-17, 9-6-17, 11-5-22, 11-8-22, 13-3-13, 13-5-13, 13-3-18, 13-5-18, 13-7-18

LD : without Lead-wire version LDN : with Lead-wire (140mm) version

LD • LDN mounting hole



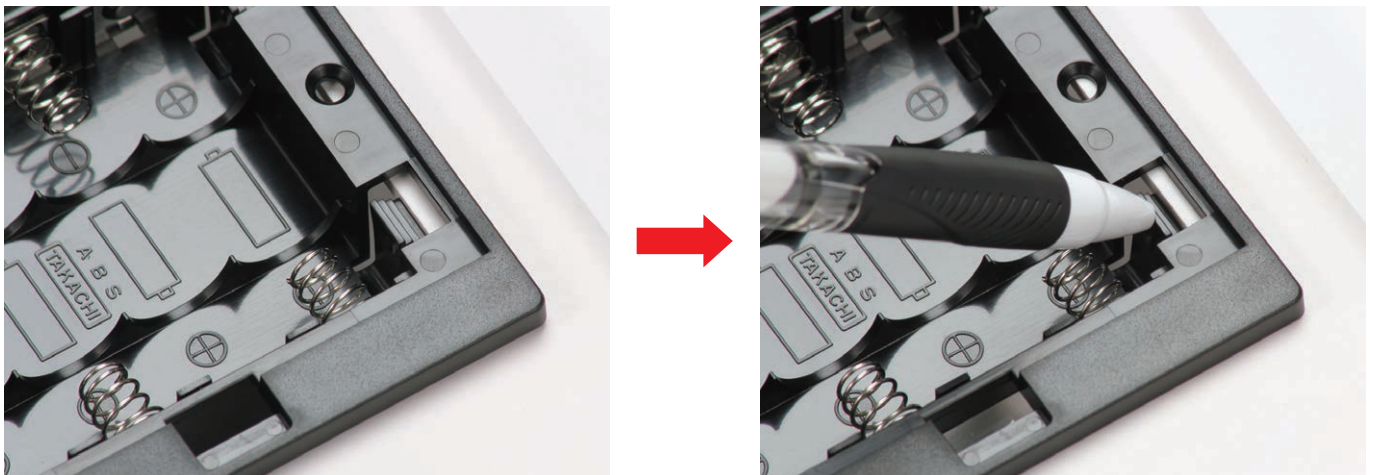
Mounting hole dimension

Product no.	W ₂ (thickness=2.5mm)	W ₃ (thickness=3.0mm)	D1	b	n
LD / LDN-2 • 006P	38.5	40.5	70.6	34.5	40.5
LD / LDN-3	52.5	54	70.4	49	53
LD / LDN-4	68.5	70.5	70.6	64.5	70.1

■ W₂ or W₃ size depends on the thickness of the enclosure wall used for mounting.

How to mount the battery box on the enclosure

Please push the hook using a thin stick when mounting the battery box on the enclosure.
Please use minimal force when pushing to avoid breaking it.



Customization available



Contact us with your drawings.

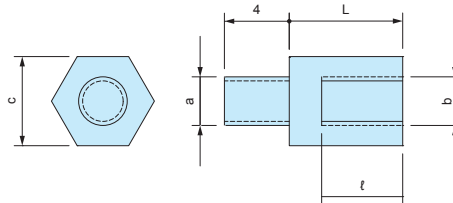
E-mail : sales@takachi-el.co.jp

TPS SERIES

TAPPING STANDOFF



- Tapping screw head allows for easy installation onto existing enclosure boss mount.
- 3 different sizes available : M2.3, M2.6 and M3 size.



Product no. / Dimensions

■ Material / Finish : Brass / Unfinished

Product no.	Screw size (a)	Screw size (b)	c	L	ℓ	Pack of	Recommended enclosure models	
TPS-M2.3-4	M2.3	M2.3	5	4	3	4	WH series • PFE series LC • LCE • LCS • LCT series PF • PFF series (M2.3 boss models) TW • TWN • TWF series (M2.3 boss models) WP series (M2.3 boss models)	
TPS-M2.3-5	M2.3	M2.3	5	5	3	4		
TPS-M2.3-6	M2.3	M2.3	5	6	4	4		
TPS-M2.3-7	M2.3	M2.3	5	7	5	4		
TPS-M2.3-8	M2.3	M2.3	5	8	6	4		
TPS-M2.3-10	M2.3	M2.3	5	10	6	4		
TPS-M2.3-12	M2.3	M2.3	5	12	6	4		
TPS-M2.6-4	M2.6	M2.6	5	4	3	4		PF • PFF series (M2.6 boss models) WP series (M2.6 boss models)
TPS-M2.6-5	M2.6	M2.6	5	5	3	4		
TPS-M2.6-7	M2.6	M2.6	5	7	5	4		
TPS-M2.6-10	M2.6	M2.6	5	10	6	4		
TPS-M2.6-12	M2.6	M2.6	5	12	6	4	SU • OP series TWS • TW • TWN • TWF series (M3 boss models)	
TPS-M3-4	M3	M3	5.5	4	3	4		
TPS-M3-5	M3	M3	5.5	5	3	4		
TPS-M3-6	M3	M3	5.5	6	4	4		
TPS-M3-7	M3	M3	5.5	7	5	4		
TPS-M3-8	M3	M3	5.5	8	5	4		
TPS-M3-10	M3	M3	5.5	10	6	4		
TPS-M3-12	M3	M3	5.5	12	6	4		



- Please use a suitable sized socket driver to both secure and loosen the tapping standoff.



How to tighten

MT SERIES

PCB MOUNTING SCREWS for TPS



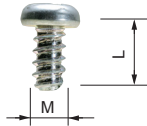
- PCB mounting Screws for TPS tapping standoffs.

Product no. / Dimensions

Product no.	M	L	Head style	Material	Finish	Pack of
NEW MT2.3-4	2.3	4	Pan	Steel	Trivalent chromate	20
NEW MT2.3-6	2.3	6		Steel	Trivalent chromate	20
NEW MT2.6-4	2.6	4		Steel	Trivalent chromate	20
MT3-4	3	4		Steel	Trivalent chromate	20

EM SERIES

PCB MOUNTING SCREW



- Self-tapping screws for mounting PCB on bosses or standoffs.
- EM-3-6 self-tapping screws are suitable for mounting 1.6mm or thicker PCB.

Product no. / Dimensions

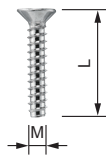
Product no.	M	L	Material	Finish	Suitable enclosures	Pack of
EM-1.6	1.6	4	Steel	Trivalent chromate	WC • CSS • CS • PS (M1.6 size)	50
EM-2	2	5	Steel	Trivalent chromate	PS • TW • TWN • TWF • WP (M2 size)	50
EM-2.3	2.3	6	Steel	Trivalent chromate	WH • LC • LCT • LCS • LCE • PFE WSC (Top cover bosses) PF • PFF (M2.3 size) TW • TWN • TWF (M2.3 size) WP (M2.3 size)	50
NEW EM-2.3-8	2.3	8	Steel	Trivalent chromate	WSC (Bottom base bosses)	50
EM-2.6	2.6	6	Steel	Trivalent chromate	PF • PFF • WP (M2.6 size)	50
EM-3	3	5	Steel	Trivalent chromate	SU TWS • TW • TWN • TWF (M3 sizes)	50
EM-3-6	3	6	Steel	Trivalent chromate		50

MR SERIES

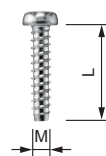
TORX SCREW



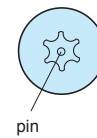
Countersunk head



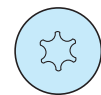
Pan head



With pin



★ Without pin



★ : MR1.6-6S, MR-2S, MR2.6-10□, and MR3-14□ are without pin.

Product no. / Dimensions

★Mark = Without pin

Product no.	M	L	head no.	Head style	Material	Finish	Suitable enclosures	Pack of
MR1.6-6S★	1.6	6	T3	Pan	Steel	Nickel plated	CS • CSS	20
MR2.5-8PS	2.5	8	T8	Pan	Steel	Nickel plated	PF • PFE • PFF (M2.5 size)	20
MR2.6-10S★	2.6	10	T8	Countersunk	Steel	Nickel plated	TW • TWN (M2.6 models) TWF (M2.6 models)	20
MR2.6-10B★	2.6	10	T8	Countersunk	Steel	Black trivalent chromate	MX • MXA • MXB • MXF (M2.6 models)	20
MR2.6-12PS	2.6	12	T8	Pan	Steel	Nickel plated	LCT • LCS • LC115-F2 / F3 LCT • LCS • LC145S-F6	20
MR2.6-14PS	2.6	14	T8	Pan	Steel	Nickel plated	LCT • LCS • LC115H-F2 / F3 / M2 / 9V LCT • LCS • LC135-F4 / M2 / M3 / 9V LCT • LCS • LC135H-F4 / M2 / M3 / 9V LCT • LCS • LC145-F6 / M2 / M4 LCT • LCS • LC145H-F6 / M2 / M4 LCT • LCS • LC165-M4 LCT • LCS • LC165H-M4	20
MR2.6-14S	2.6	14	T8	Countersunk	Steel	Nickel plated	LCT • LCS • LC115-N / F2 / F3 LCT • LCS • LC145S-F6 / 145S-N LCE115-N TW • TWN7-2-11 / 7-4-11 / 7-5-11 TWF7-2-11 / 7-4-11 / 7-5-11 / 8-2-8 / 8-4-8	20
MR2.6-18S	2.6	18	T8	Countersunk	Steel	Nickel plated	LCT • LCS • LC115H-N / F2 / F3 / M2 / 9V LCT • LCS • LC135-N / F4 / M2 / M3 / 9V LCT • LCS • LC135H-N / F4 / M2 / M3 / 9V LCT • LCS • LC145-N / F6 / M2 / M4 LCT • LCS • LC145H-N / F6 / M2 / M4 LCT • LCS • LC165-N / M4 LCT • LCS • LC165H-N / M4 LCE115H-N • LCE135-N • LCE145H-N • LCE165H-N	20
MR3-8PS	3	8	T10	Pan	Steel	Nickel plated	PF • PFE • PFF (M3 size)	20
MR3-14S★	3	14	T10	Countersunk	Steel	Nickel plated	TW • TWN (M3 models)	20
MR3-14B★	3	14	T10	Countersunk	Steel	Black trivalent chromate	TWF (M3 models) MX • MXA • MXB • MXF (M3 models)	20
MR-1S	3	5	T10	Countersunk	Steel	Nickel plated	UC	20
MR-1B	3	5	T10	Countersunk	Steel	Black trivalent chromate	UC • UCY • US	20
MR-2S	3	10	T10	Countersunk	Steel	Nickel plated	HEN	20