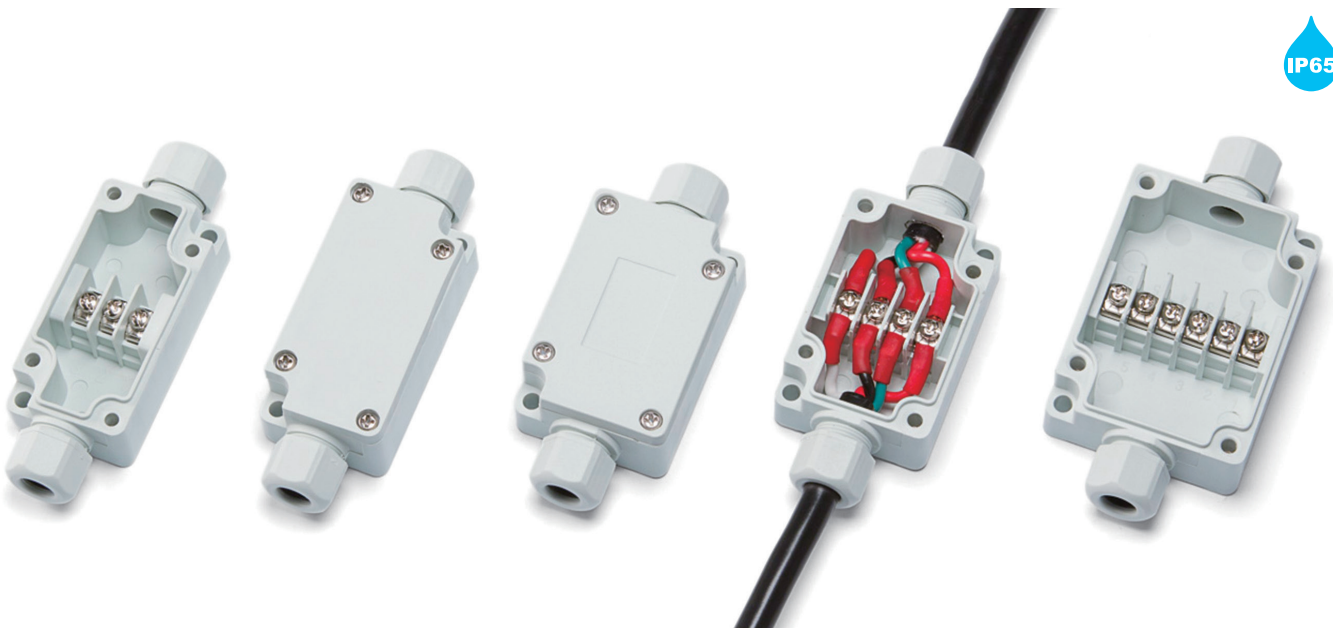


TMC SERIES

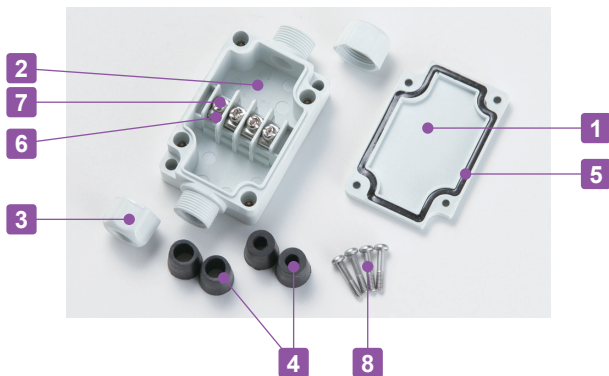
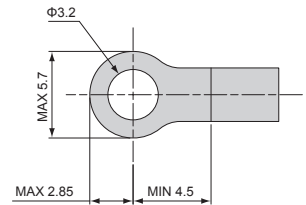
TERMINAL JUNCTION BOX



- Integrated junction box consisting of cable glands and a terminal block.
- Suitable for industrial facilities, power cable joints, relay between motors and/or sensors.
- IP65 protection class with high oil resistant PBT material.
- 3, 4, and 6 pole types are available.
- $\Phi 5.0$ and $\Phi 7.4$ rubber cable bushes (2 pcs each) are included.

Technical Data
Protection class: IP65
Operating temperature: -20°C ~ +75°C

Applicable crimp terminal
R1.25-3



Terminal Block Specification

Rated voltage	250V
Rated current	15A
Applicable wire	1.25mm ²
Standard tightening torque	0.5N · m

Components

No.	Part name	Pcs	Material	Color / Finish
1	Cover	1	PBT UL94V-0	Light gray · Black
2	Base	1	PBT UL94V-0	Light gray · Black
3	Cable cap	2	PBT UL94V-0	Light gray · Black
4	Rubber bush	2 pairs	EPDM	Black
5	Gasket	1	Polyurethane	Black
6	Conductive plate	3~6	Brass	Nickel plated
7	Terminal screw	3~6	Steel M3	Nickel plated
8	Cover screw	4	Stainless steel M3	Unfinished

Accessories (Optional parts)



Shorting Bar SBR series
See page SBR-1

Rubber Bush RB series
See page RB · SZ-1

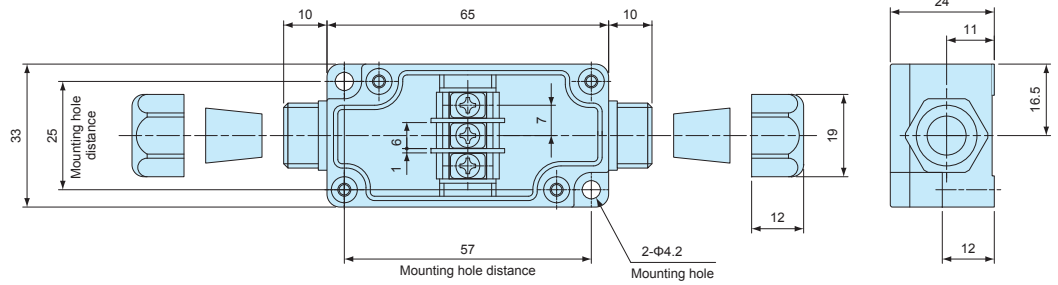
Product no. / Dimensions

Product no.	L	W	H	Number of poles	Weight (g)
● Light gray					
TMC-3PG	65	33	24	3P	52
TMC-4PG	60	40	24	4P	58
TMC-6PG	70	50	24	6P	73

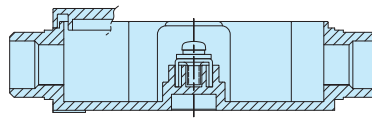
TMC dimensions

■ DXF/DWG/PDF drawings available on our website.

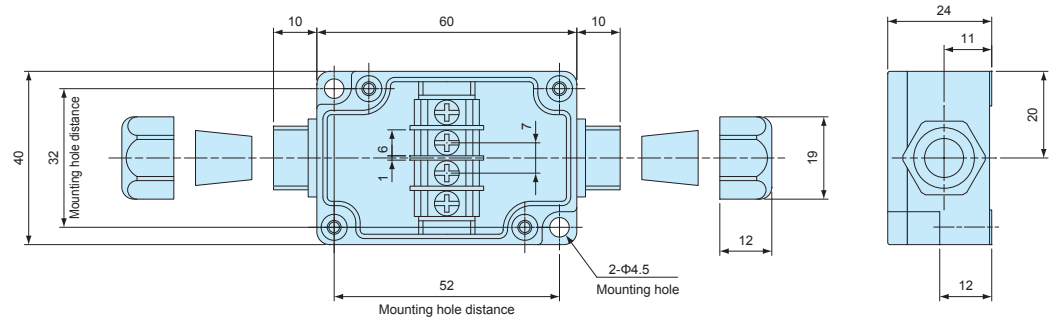
TMC-3P



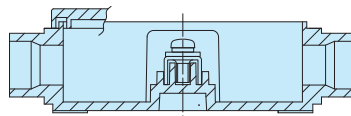
Inner diameter of rubber bush	Cable range
Φ5.0	Φ4 ~ Φ5
Φ7.4	Φ6 ~ Φ7



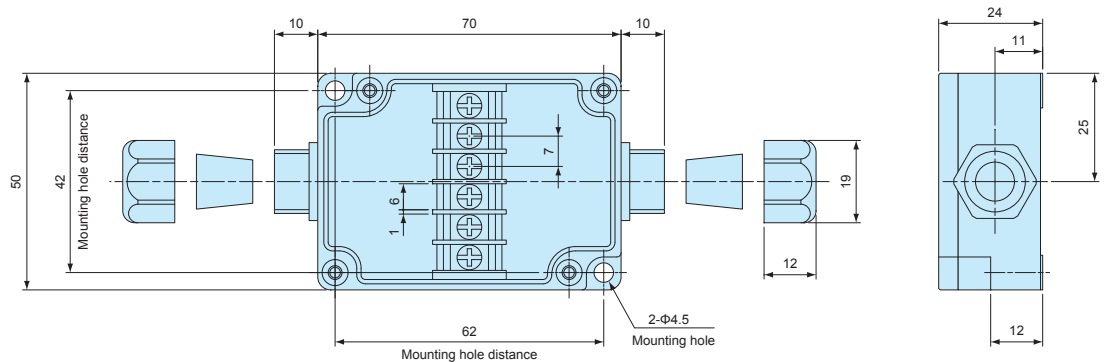
TMC-4P



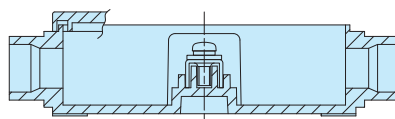
Inner diameter of rubber bush	Cable range
Φ5.0	Φ4 ~ Φ5
Φ7.4	Φ6 ~ Φ7



TMC-6P

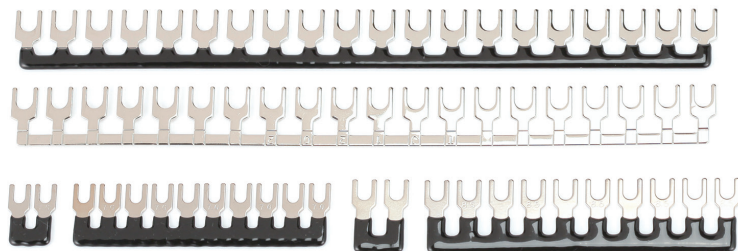


Inner diameter of rubber bush	Cable range
Φ5.0	Φ4 ~ Φ5
Φ7.4	Φ6 ~ Φ7



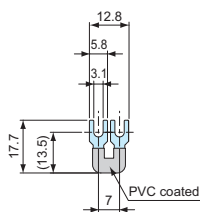
SBR SERIES

SHORTING BAR

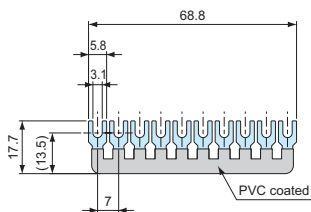


- Shorting bar for common-wiring.
- SBR70-10P, SBR85-10P, SBR95-20P, and SBR95-20N can be cut accordingly into required poles.
- PVC coated. SBR95-20 available in both PVC coated (SBR95-20P) and non PVC coated (SBR95-20N) models.
- See chart below for suitable box.

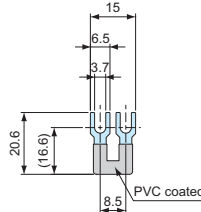
SBR70-2P



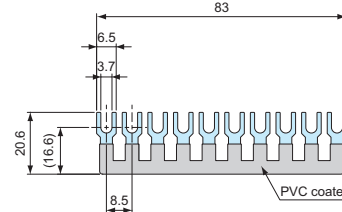
SBR70-10P



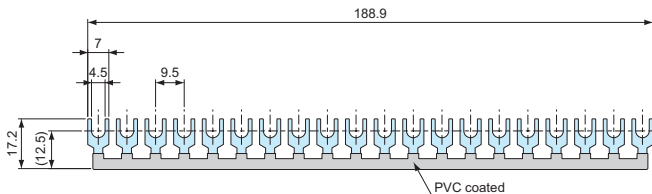
SBR85-2P



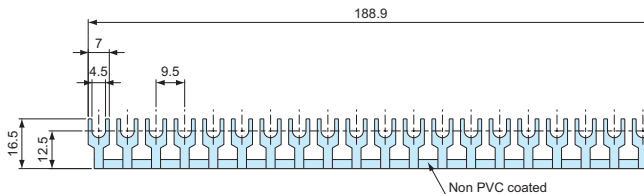
SBR85-10P



SBR95-20P



SBR95-20N



Suitable Box Chart

Product no.	Number of poles	Pole distance	Suitable box
SBR70 - 2P	2P	7.0mm	TMC series
SBR70 -10P	10P	7.0mm	TMC series
SBR85 - 2P	2P	8.6mm	TMB-20P, TMA-20P-AS, TMA30P-AS
SBR85 -10P	10P	8.6mm	TMB-20P, TMA-20P-AS, TMA30P-AS
SBR95 -20P	20P	9.6mm	TMA • TMB series (Not applicable for TMB-20P, TMA20P-AS, and TMA30P-AS models)
SBR95 -20N	20P	9.6mm	TMA • TMB series (Not applicable for TMB-20P, TMA20P-AS, and TMA30P-AS models)

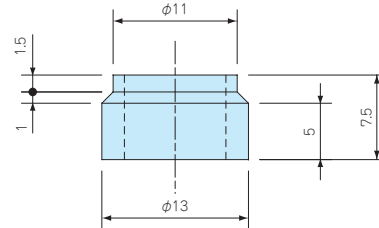
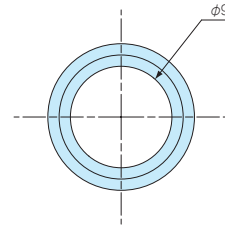
Product no. / Feature

■ Pack quantity differs by models.

Product no.	Number of poles	Material	Finish	PVC coating	Pack of
SBR70 - 2P	2P	Brass	Nickel plated	Yes	10
SBR70 -10P	10P	Brass	Nickel plated	Yes	1
SBR85 - 2P	2P	Brass	Nickel plated	Yes	10
SBR85 -10P	10P	Brass	Nickel plated	Yes	1
SBR95 -20P	20P	Brass	Nickel plated	Yes	1
SBR95 -20N	20P	Brass	Nickel plated	No	1

RB-9

RUBBER BUSH



- Rubber bush for TMC series terminal junction box.
- Applicable for $\Phi 8 \sim \Phi 9$ mm diameter cable.

Product no. / Feature

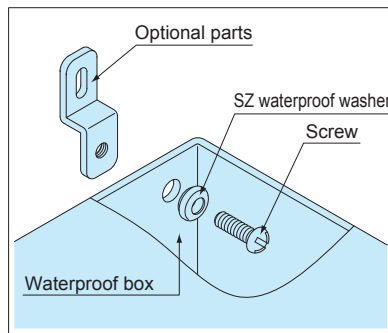
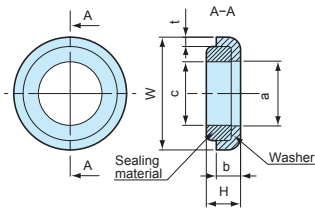
Product no.	Material	Color	Cable range	Pack of
RB-9	NBR	Black	$\Phi 8 \sim \Phi 9$ mm	2

SZ SERIES

WATERPROOF WASHER



- Waterproof washer for screwing onto waterproof boxes.
- NBR sealing material has superior oil resistance (N models only).
- Silicone sealing material has wider operating temperature with superior temperature and water resistance (S models only).



Technical Data
Water pressure resistance:
M3 ~ M10 : 200kg/cm ² 5min
M12 ~ M16 : 100kg/cm ² 5min

- Shape of the sealing material vary by product.

Product no. / Dimensions

Product no.	W	H	a	b	c	t	Washer material	Sealing material	Color	Screw size	Pack of
SZ- 3N	7	2.7	3.2	2.2	3.1	0.5	SUS304	NBR	Black	M 3	1
SZ- 3S	7	2.7	3.2	2.2	3.1	0.5	SUS304	Silicone	Brown	M 3	1
SZ- 4N	8	2.8	4.2	2.1	4.1	0.5	SUS304	NBR	Black	M 4	1
SZ- 4S	8	2.8	4.2	2.1	4.1	0.5	SUS304	Silicone	Brown	M 4	1
SZ- 5N	9.5	3.6	5.2	2.7	5.1	0.8	SUS304	NBR	Black	M 5	1
SZ- 5S	9.5	3.6	5.2	2.7	5.1	0.8	SUS304	Silicone	Brown	M 5	1
SZ- 6N	11.5	4	6.2	3	6.2	1	SUS304	NBR	Black	M 6	1
SZ- 6S	11.5	4	6.2	3	6.2	1	SUS304	Silicone	Brown	M 6	1
SZ- 8N	15.2	3.8	8.2	3.2	8.2	1	SUS304	NBR	Black	M 8	1
SZ- 8S	15.2	3.8	8.2	3.2	8.2	1	SUS304	Silicone	Brown	M 8	1
SZ-10N	18	5.3	10.2	4	10.2	1.5	SUS304	NBR	Black	M10	1
SZ-10S	18	5.3	10.2	4	10.2	1.5	SUS304	Silicone	Brown	M10	1
SZ-12N	24	6.1	14.2	4.8	12.2	1.5	SUS304	NBR	Black	M12	1
SZ-12S	24	6.1	14.2	4.8	12.2	1.5	SUS304	Silicone	Brown	M12	1
SZ-16N	30	6.8	18.4	5.3	16	1.9	SUS304	NBR	Black	M16	1
SZ-16S	30	6.8	18.4	5.3	16	1.9	SUS304	Silicone	Brown	M16	1