



Application Example

- Double shot injection molded feet with soft and well-designed rounded shape.
- Non-slip design with Elastomer (TPE) pad.
- Available in 3 different color patterns.

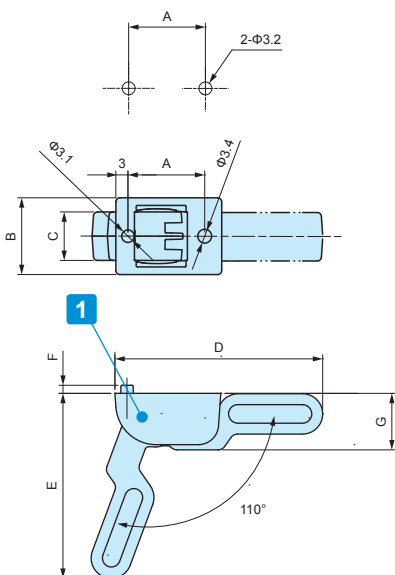
Technical Data
Max load : 7kg

Components

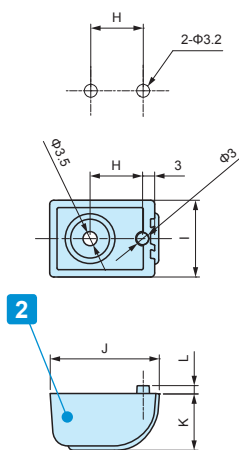
No.	Part name	Pcs	Material	Color / Finish
1	Front feet	2	PC+ABS UL94V-0, TPE	Black & Black • Navy & Gray • Light gray & Gray
2	Rear Feet	2	PC+ABS UL94V-0, TPE	Black & Black • Navy & Gray • Light gray & Gray
-	Washer head screw	4	Steel M3-6	Black Trivalent chromate
-	Nut	4	Steel M3	Black Trivalent chromate

- Drawings below are reference examples only.
DXF/DWG/PDF drawings available on our website.

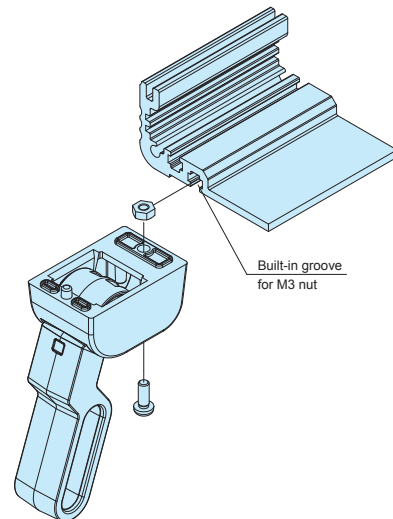
Mounting hole (Front)



Mounting Hole (Rear)



- Possible to install on Built-in groove with M3 nut for all EXP • EXPE • EXW • EX • EXH models with width 185mm or larger bottom covers.
- TLW-70E models are exclusively for width 185mm or larger bottom covers.



Product no. / Dimensions

Product no.	A	B	C	D	E	F	G	H	I	J	K	L	Color (plastic)	Color (TPE)	Weight (g)
TLW-46BB	19	19	12	51.2	45.9	2	14	13	19	27	14	2	Black	Black	23
TLW-46NG	19	19	12	51.2	45.9	2	14	13	19	27	14	2	Navy	Gray	23
TLW-46LG	19	19	12	51.2	45.9	2	14	13	19	27	14	2	Light gray	Gray	23
NEW TLW-70EBB	30	25	16	75.4	69	3	21.5	20	25	39	21.5	3	Black	Black	59
NEW TLW-70ENG	30	25	16	75.4	69	3	21.5	20	25	39	21.5	3	Navy	Gray	59
NEW TLW-70ELG	30	25	16	75.4	69	3	21.5	20	25	39	21.5	3	Light gray	Gray	59



TLW SERIES TILT LEG



Application Example

- Double shot injection molded feet with soft and well-designed rounded shape.
- Non-slip design with Elastomer (TPE) pad.
- Available in 3 different color combinations on TLW-46 models, and 2 different color combinations on TLW-70 models.

Technical Data
Max load : 7kg

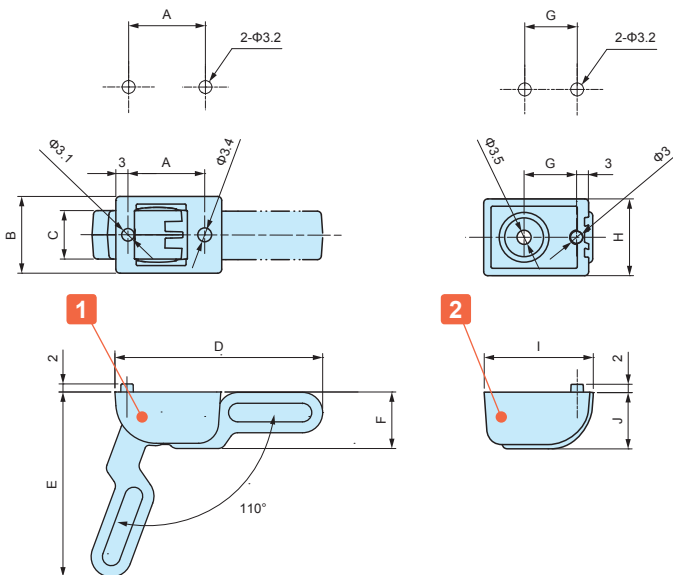
Components

No.	Part name	Pcs	Material	Color / Finish
1	Front feet	2	PC+ABS UL94V-0, TPE	Black & Black • Navy & Gray • Light gray & Gray
2	Rear Feet	2	PC+ABS UL94V-0, TPE	Black & Black • Navy & Gray • Light gray & Gray
-	Washer head screw	4	Steel M3-6	Black Trivalent chromate
-	Nut	4	Steel M3	Black Trivalent chromate

- Drawings below are reference examples only.
DXF/DWG/PDF drawings available on our website.

Mounting hole (Front)

Mounting Hole (Rear)



- Possible to be installed on both plastic and aluminum enclosures.



Product no. / Dimensions

Product no.	A	B	C	D	E	F	G	H	I	J	Color (plastic)	Color (TPE)	Weight (g)
TLW-46BB	19	19	12	51.2	45.9	14	13	19	27	14	Black	Black	23
TLW-46NG	19	19	12	51.2	45.9	14	13	19	27	14	Navy	Gray	23
TLW-46LG	19	19	12	51.2	45.9	14	13	19	27	14	Light gray	Gray	23
NEW TLW-70BB	30	25	16	75.4	69	21.5	20	25	39	21.5	Black	Black	59
NEW TLW-70LG	30	25	16	75.4	69	21.5	20	25	39	21.5	Light gray	Gray	59