



SIMPLE ALUMINIUM SHEET METAL BOX with COVER

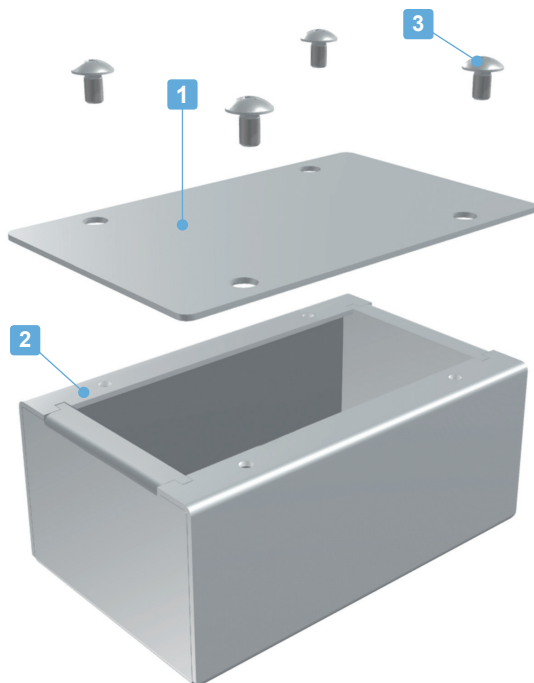
6 Additional Sizes

Low-cost lineup of chassis cases released!

← Customizable Sizes Expanded →

**CUSTOM SIZED ALUMINIUM BOX
CUSTOM SIZED STAINLESS STEEL BOX**





- Adjustable sizes available in 1mm intervals, with W and D dimensions from 60 ~ 400mm, and H dimension from 20 ~ 120mm.
- Detachable top cover allows easy assembly and maintenance access.
- Internal surface of the sheet aluminium is unfinished, making conductive and grounding possible.

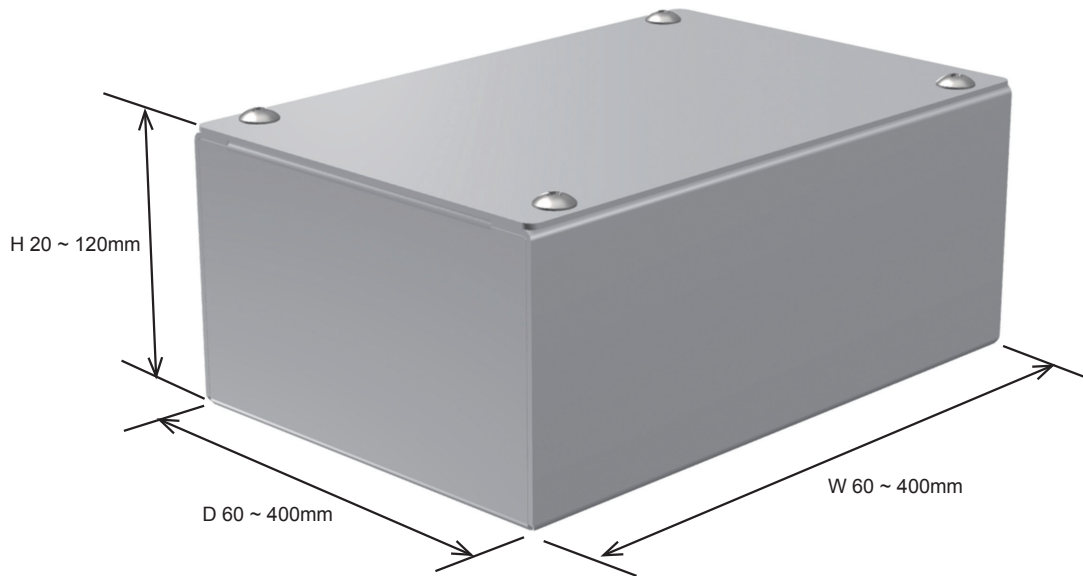
Components

No.	Part name	Pcs	Material	Color / Finish
1	Cover	1	Aluminium A1100P t = 1.2	Metallic silver / painted (conductive inside)
2	Base	1	Aluminium A1100P t = 1.2	Metallic silver / painted (conductive inside)
3	Screw (M3-5 truss head)	4 / 6 / 8	—	Nickel plated

■ Cover and Base are covered with a protection film on one side.

Dimensions

To select W, H and D dimensions in 1mm intervals.



Caution : Not all size combinations are possible. Refer to the table on page TCF-3 for further details.
The width of the folded base part will differ depending on W and D dimensions.
See page TCF-3 ~ 4 for further details.

Product No.

To determine a product number, fill W, H and D in the following blank boxes.

Product No. TCF - -
 W H D

Numbering example: W:250 x H:100 x D:300 → **TCF250-100-300**

Lead Time

Custom Size Only
Custom Size + Hole Milling

7 business days (1 ~ 3 pcs)
8 business days (1 ~ 3 pcs)

Order Inquiry

For more information, contact us here at sales@takachi-el.co.jp

Accessories (Optional parts)



Rubber feet B series
See page Feet-1



Insert nut adhesive standoff AST series
See page 121

TCF Size Table

Refer to the table below for available dimensions.

W and D = 200mm or smaller : Folded area width = W8.5mm, D5.5mm

W or D = 201mm or larger : Folded area width = W10.0mm, D10.0mm

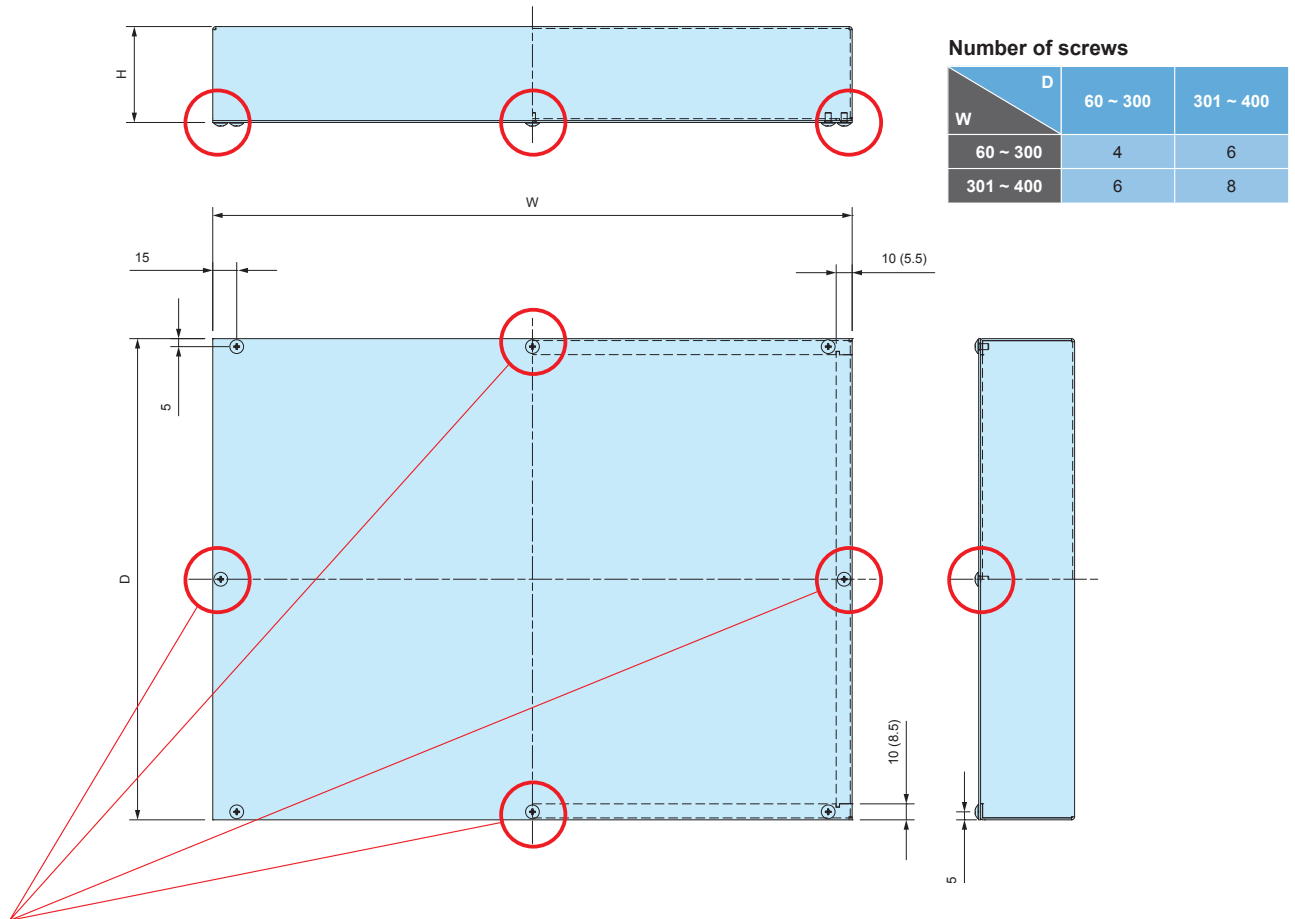
See TCF dimensions on page TCF-4 for further details.

■ [—] sizes are not available.

W	H	D	60 ~ 99	100 ~ 125	126 ~ 150	151 ~ 175	176 ~ 200	201 ~ 225	226 ~ 250	251 ~ 300	301 ~ 325	326 ~ 350	351 ~ 375	376 ~ 400
			20 ~ 39	○	○	○	○	○	○	○	○	○	○	○
60 ~ 99	40 ~ 50	○	○	○	○	○	○	○	○	○	○	○	○	○
	51 ~ 70	○	○	○	○	○	○	○	○	○	○	○	○	○
	71 ~ 100	○	○	○	○	○	○	○	○	○	○	○	○	○
100 ~ 125	20 ~ 39	○	○	○	○	○	○	○	○	○	○	○	○	○
	40 ~ 50	○	○	○	○	○	○	○	○	○	○	○	○	○
	51 ~ 70	○	○	○	○	○	○	○	○	○	○	○	○	○
	71 ~ 100	○	○	○	○	○	○	○	○	○	○	○	○	○
	101 ~ 120	○	○	○	○	○	○	○	○	○	○	○	○	○
126 ~ 150	20 ~ 39	○	○	○	○	○	○	○	○	○	○	○	○	○
	40 ~ 50	○	○	○	○	○	○	○	○	○	○	○	○	○
	51 ~ 70	○	○	○	○	○	○	○	○	○	○	○	○	○
	71 ~ 100	○	○	○	○	○	○	○	○	○	○	○	○	○
	101 ~ 120	○	○	○	○	○	○	○	○	○	○	○	○	○
151 ~ 175	20 ~ 39	○	○	○	○	○	○	○	○	○	○	○	○	○
	40 ~ 50	○	○	○	○	○	○	○	○	○	○	○	○	○
	51 ~ 70	○	○	○	○	○	○	○	○	○	○	○	○	○
	71 ~ 100	○	○	○	○	○	○	○	○	○	○	○	○	○
	101 ~ 120	○	○	○	○	○	○	○	○	○	○	○	○	○
176 ~ 200	20 ~ 39	○	○	○	○	○	○	○	○	○	○	○	○	○
	40 ~ 50	○	○	○	○	○	○	○	○	○	○	○	○	○
	51 ~ 70	○	○	○	○	○	○	○	○	○	○	○	○	○
	71 ~ 100	○	○	○	○	○	○	○	○	○	○	○	○	○
	101 ~ 120	○	○	○	○	○	○	○	○	○	○	○	○	○
201 ~ 225	40 ~ 50	○	○	○	○	○	○	○	○	○	○	○	○	○
	51 ~ 70	○	○	○	○	○	○	○	○	○	○	○	○	○
	71 ~ 100	○	○	○	○	○	○	○	○	○	○	○	○	○
	101 ~ 120	○	○	○	○	○	○	○	○	○	○	○	○	○
226 ~ 250	40 ~ 50	○	○	○	○	○	○	○	○	○	○	○	○	○
	51 ~ 70	○	○	○	○	○	○	○	○	○	○	○	○	○
	71 ~ 100	○	○	○	○	○	○	○	○	○	○	○	○	○
	101 ~ 120	○	○	○	○	○	○	○	○	○	○	○	○	○
251 ~ 300	40 ~ 50	○	○	○	○	○	○	○	○	○	○	○	○	○
	51 ~ 70	○	○	○	○	○	○	○	○	○	○	○	○	○
	71 ~ 100	○	○	○	○	○	○	○	○	○	○	○	○	○
	101 ~ 120	○	○	○	○	○	○	○	○	○	○	○	○	○
301 ~ 325	40 ~ 50	○	○	○	○	○	○	○	○	○	○	○	○	○
	51 ~ 70	○	○	○	○	○	○	○	○	○	○	○	○	○
	71 ~ 100	○	○	○	○	○	○	○	○	○	○	○	○	○
	101 ~ 120	○	○	○	○	○	○	○	○	○	○	○	○	○
326 ~ 350	40 ~ 50	○	○	○	○	○	○	○	○	○	○	○	○	○
	51 ~ 70	○	○	○	○	○	○	○	○	○	○	○	○	○
	71 ~ 100	○	○	○	○	○	○	○	○	○	○	○	○	○
351 ~ 375	40 ~ 50	○	○	○	○	○	○	○	○	○	○	○	○	○
	51 ~ 70	○	○	○	○	○	○	○	○	○	○	○	○	○
	71 ~ 100	○	○	○	○	○	○	○	○	○	○	○	○	○
	101 ~ 120	○	○	○	○	○	○	○	○	○	○	○	○	○
376 ~ 400	40 ~ 50	○	○	○	○	○	○	○	○	○	○	○	○	○
	51 ~ 70	○	○	○	○	○	○	○	○	○	○	○	○	○
	71 ~ 100	○	○	○	○	○	○	○	○	○	○	○	○	○
	101 ~ 120	○	○	○	○	○	○	○	○	○	○	○	○	○

TCF dimensions

■ DXF/DWG/PDF drawings available on our website.



Number of screws

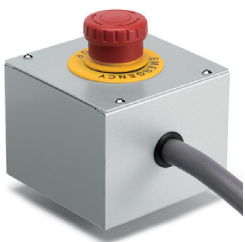
W \ D	D	
	60 ~ 300	301 ~ 400
60 ~ 300	4	6
301 ~ 400	6	8

***Note:**

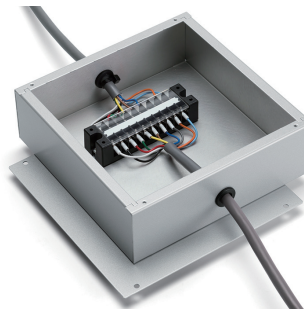
An additional set of screw holes (on each corresponding side) will be required for assembly if W or D dimension is 301mm or larger. Values within () are for W / D dimensions of 200 mm or smaller.

APPLICATION EXAMPLE

Switch Box



Terminal Box



Command Panel

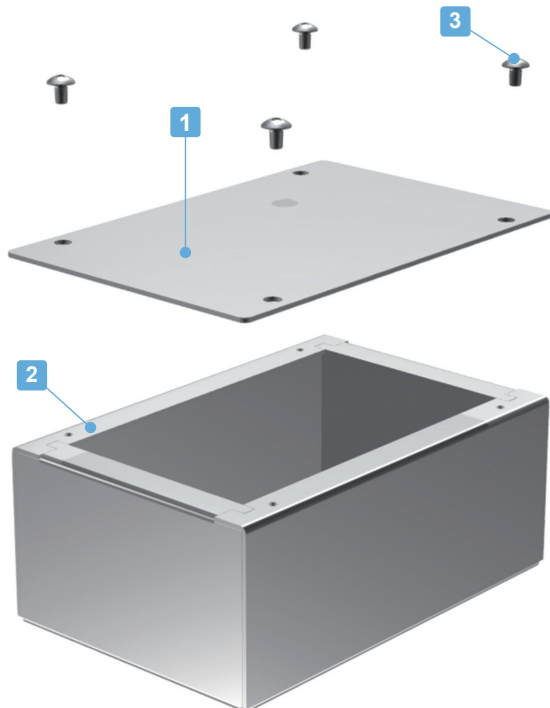
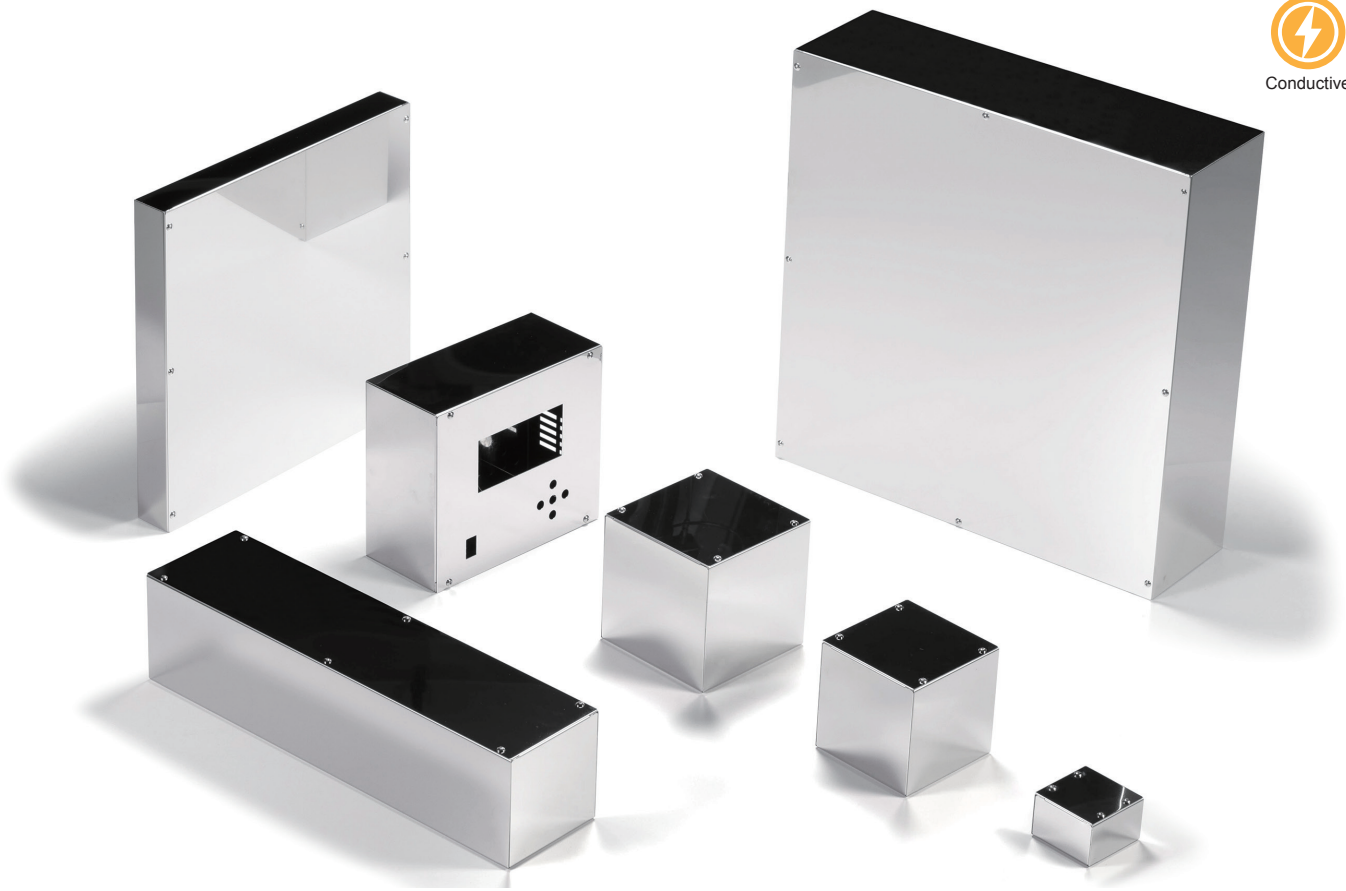


Controller



Tube Amplifier





- Adjustable sizes available in 1mm intervals, with W and D dimensions from 60 ~ 400mm, and H dimension from 20 ~ 120mm.
- Detachable top cover allows easy assembly and maintenance access.
- Made of stainless steel (SUS304) for superior weather and corrosion resistance.
- Stainless steel (SUS304) allows the enclosure to be conductive.
- Best suited for the instruments located in medical facilities, food plant, or clean room.

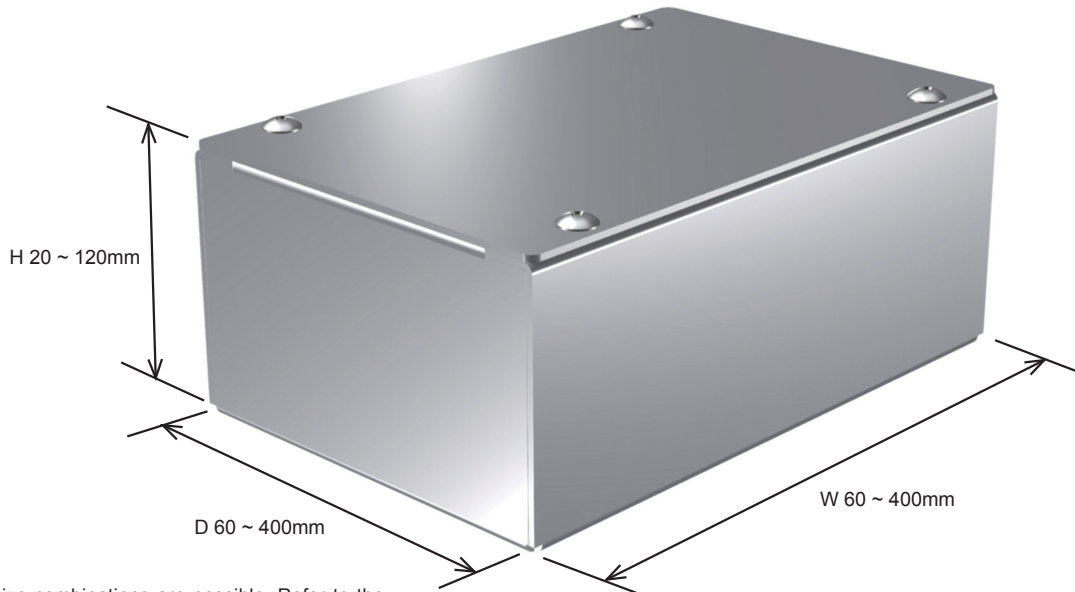
Components

No.	Part name	Pcs	Material	Color / Finish
1	Cover	1	Stainless steel SUS304 t = 0.8	Bright annealed
2	Base	1	Stainless steel SUS304 t = 0.8	Bright annealed
3	Screw (M3-5 truss head)	4 / 6 / 8	Stainless steel	Unfinished

■ Cover and Base are covered with a protection film on one side.

Dimensions

To select W, H and D dimensions in 1mm intervals.



Caution : Not all size combinations are possible. Refer to the chart on page TCS-3 for further details.
The width of the folded base part will differ depending on W and D dimensions.
See page TCS-3 ~ 4 for further details.

Product No.

To determine a product number, fill W, H and D in the following blank boxes.

Product No. TCS - -
W H D

Numbering example: W:250 x H:100 x D:300 ➔ **TCS250-100-300**

Lead Time

Custom Size Only
Custom Size + Hole Milling

7 business days (1 ~ 3 pcs)
8 business days (1 ~ 3 pcs)

Order Inquiry

For more information, contact us here at sales@takachi-el.co.jp

Accessories (Optional parts)



Rubber feet B series
See page Feet-1



Insert nut adhesive standoff AST series
See page 121

TCS Size Table

Refer to the table below for available dimensions.

W and D = 200mm or smaller : Folded area width = W8.5mm, D5.5mm

W or D = 201mm or larger : Folded area width = W10.0mm, D10.0mm

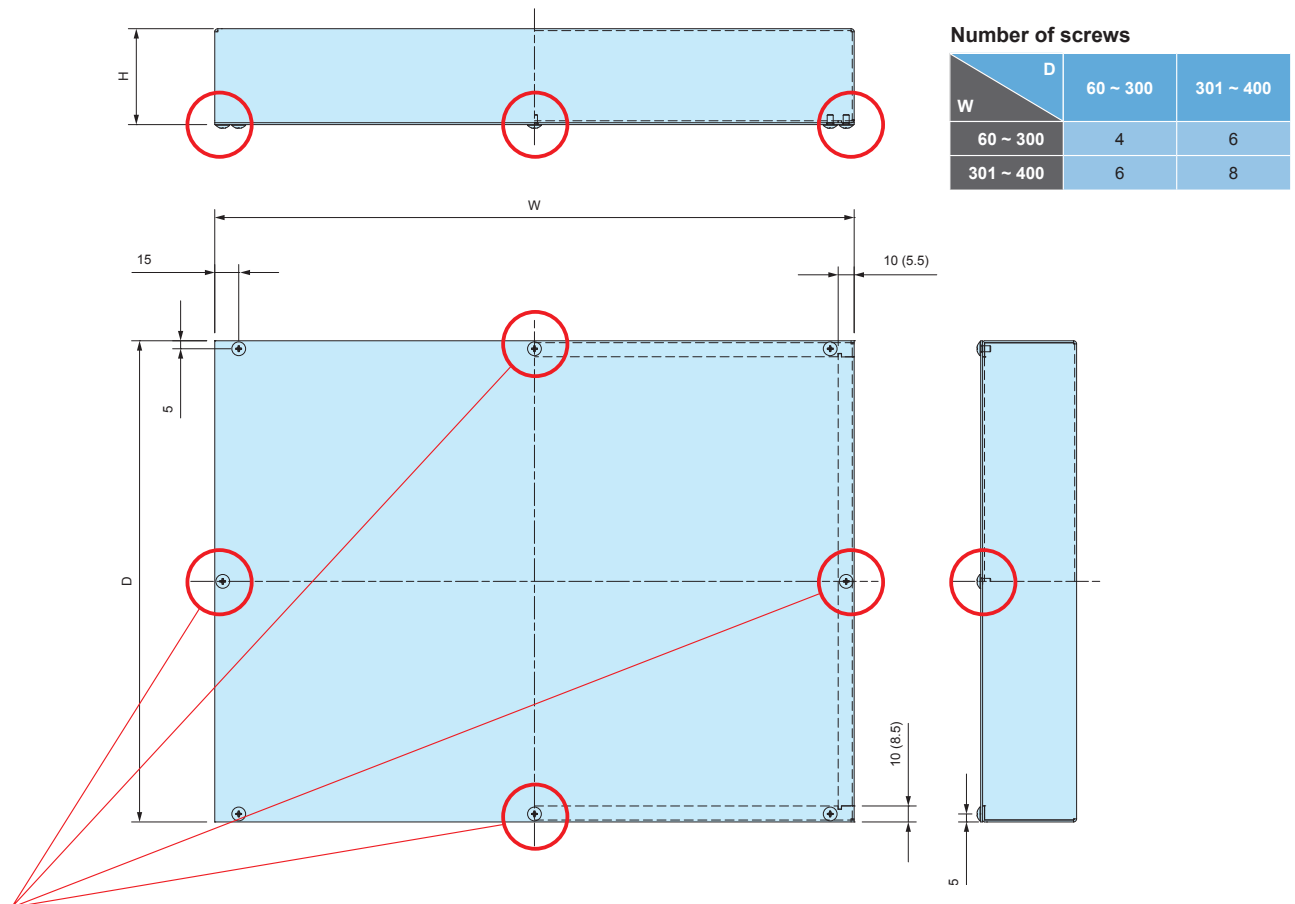
See TCS dimensions on page TCS-4 for further details.

■ [—] sizes are not available.

W	H	D	60 ~ 99	100 ~ 125	126 ~ 150	151 ~ 175	176 ~ 200	201 ~ 225	226 ~ 250	251 ~ 300	301 ~ 325	326 ~ 350	351 ~ 375	376 ~ 400
			20 ~ 39	○	○	○	○	○	○	○	○	○	○	○
60 ~ 99	40 ~ 50	○	○	○	○	○	○	○	○	○	○	○	○	○
	51 ~ 70	○	○	○	○	○	○	○	○	○	○	○	○	○
	71 ~ 100	○	○	○	○	○	○	○	○	○	○	○	○	○
100 ~ 125	20 ~ 39	○	○	○	○	○	○	○	○	○	○	○	○	○
	40 ~ 50	○	○	○	○	○	○	○	○	○	○	○	○	○
	51 ~ 70	○	○	○	○	○	○	○	○	○	○	○	○	○
	71 ~ 100	○	○	○	○	○	○	○	○	○	○	○	○	○
	101 ~ 120	○	○	○	○	○	○	○	○	○	○	○	○	○
126 ~ 150	20 ~ 39	○	○	○	○	○	○	○	○	○	○	○	○	○
	40 ~ 50	○	○	○	○	○	○	○	○	○	○	○	○	○
	51 ~ 70	○	○	○	○	○	○	○	○	○	○	○	○	○
	71 ~ 100	○	○	○	○	○	○	○	○	○	○	○	○	○
	101 ~ 120	○	○	○	○	○	○	○	○	○	○	○	○	○
151 ~ 175	20 ~ 39	○	○	○	○	○	○	○	○	○	○	○	○	○
	40 ~ 50	○	○	○	○	○	○	○	○	○	○	○	○	○
	51 ~ 70	○	○	○	○	○	○	○	○	○	○	○	○	○
	71 ~ 100	○	○	○	○	○	○	○	○	○	○	○	○	○
	101 ~ 120	○	○	○	○	○	○	○	○	○	○	○	○	○
176 ~ 200	20 ~ 39	○	○	○	○	○	○	○	○	○	○	○	○	○
	40 ~ 50	○	○	○	○	○	○	○	○	○	○	○	○	○
	51 ~ 70	○	○	○	○	○	○	○	○	○	○	○	○	○
	71 ~ 100	○	○	○	○	○	○	○	○	○	○	○	○	○
	101 ~ 120	○	○	○	○	○	○	○	○	○	○	○	○	○
201 ~ 225	40 ~ 50	○	○	○	○	○	○	○	○	○	○	○	○	○
	51 ~ 70	○	○	○	○	○	○	○	○	○	○	○	○	○
	71 ~ 100	○	○	○	○	○	○	○	○	○	○	○	○	○
	101 ~ 120	○	○	○	○	○	○	○	○	○	○	○	○	○
226 ~ 250	40 ~ 50	○	○	○	○	○	○	○	○	○	○	○	○	○
	51 ~ 70	○	○	○	○	○	○	○	○	○	○	○	○	○
	71 ~ 100	○	○	○	○	○	○	○	○	○	○	○	○	○
	101 ~ 120	○	○	○	○	○	○	○	○	○	○	○	○	○
251 ~ 300	40 ~ 50	○	○	○	○	○	○	○	○	○	○	○	○	○
	51 ~ 70	○	○	○	○	○	○	○	○	○	○	○	○	○
	71 ~ 100	○	○	○	○	○	○	○	○	○	○	○	○	○
	101 ~ 120	○	○	○	○	○	○	○	○	○	○	○	○	○
301 ~ 325	40 ~ 50	○	○	○	○	○	○	○	○	○	○	○	○	○
	51 ~ 70	○	○	○	○	○	○	○	○	○	○	○	○	○
	71 ~ 100	○	○	○	○	○	○	○	○	○	○	○	○	○
	101 ~ 120	○	○	○	○	○	○	○	○	○	○	○	○	○
326 ~ 350	40 ~ 50	○	○	○	○	○	○	○	○	○	○	○	○	○
	51 ~ 70	○	○	○	○	○	○	○	○	○	○	○	○	○
	71 ~ 100	○	○	○	○	○	○	○	○	○	○	○	○	○
351 ~ 375	40 ~ 50	○	○	○	○	○	○	○	○	○	○	○	○	○
	51 ~ 70	○	○	○	○	○	○	○	○	○	○	○	○	○
	71 ~ 100	○	○	○	○	○	○	○	○	○	○	○	○	○
	101 ~ 120	○	○	○	○	○	○	○	○	○	○	○	○	○
376 ~ 400	40 ~ 50	○	○	○	○	○	○	○	○	○	○	○	○	○
	51 ~ 70	○	○	○	○	○	○	○	○	○	○	○	○	○
	71 ~ 100	○	○	○	○	○	○	○	○	○	○	○	○	○
	101 ~ 120	○	○	○	○	○	○	○	○	○	○	○	○	○

TCS dimensions

■ DXF/DWG/PDF drawings available on our website.



Number of screws

W \ D	D	
	60 ~ 300	301 ~ 400
60 ~ 300	4	6
301 ~ 400	6	8

*Note:

An additional set of screw holes (on each corresponding side) will be required for assembly if W or D dimension is 301mm or larger. Values within () are for W / D dimensions of 200 mm or smaller.

CUSTOMIZED EXAMPLE

LASER CUTTING

Lead Time : 8 business days

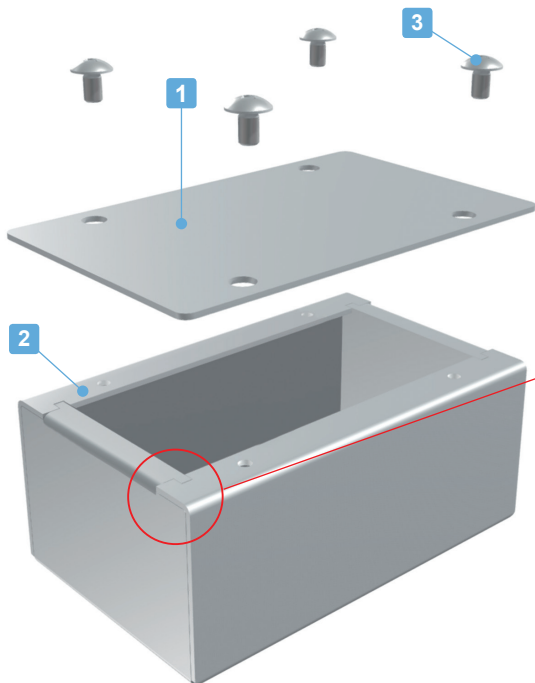
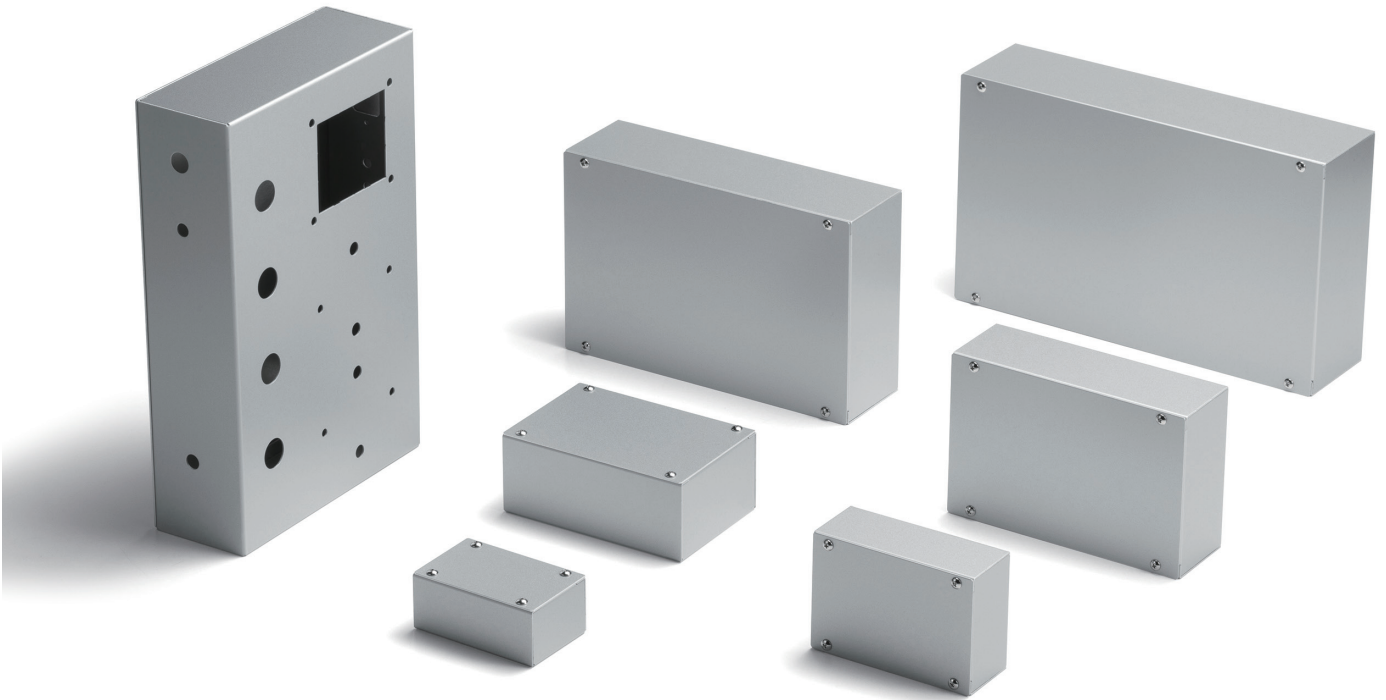


LASER CUTTING + INKJET PRINTING

Lead Time : 11 business days

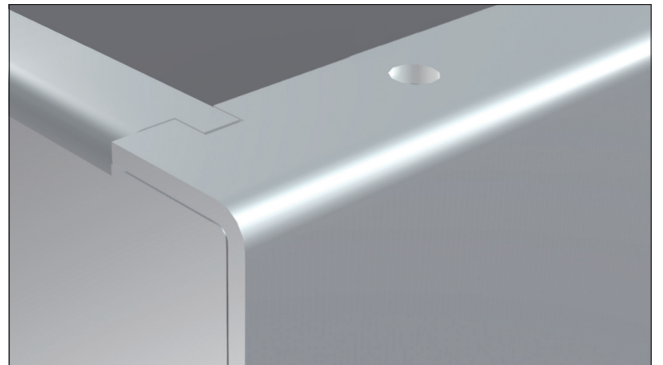


TCS-4



- Simple aluminium sheet metal box with an aluminium sheet cover.
- Internal surface of the sheet aluminium is unfinished, making conductive and grounding possible.
- Detachable top cover allows easy assembly and maintenance access.
- 6 additional sizes added. Total of 12 different sizes are available.
- Custom size, TCF series is available.

- Unique jointing techniques allow for sufficient strength without the need for welding.



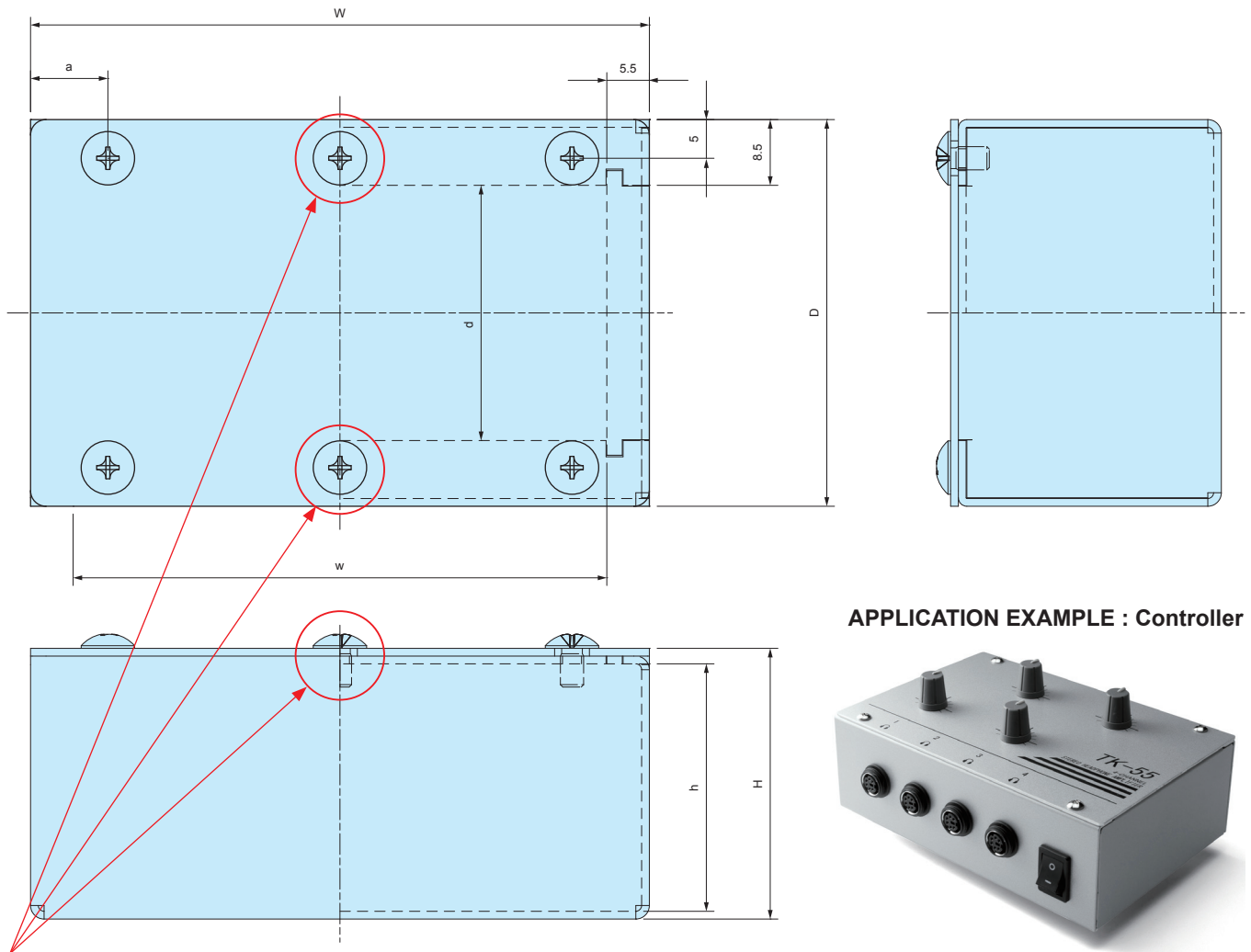
Components

No.	Part name	Pcs	Material	Color / Finish
1	Cover	1	Aluminium A1100P t = 1.0	Metallic silver / painted (conductive inside)
2	Base	1	Aluminium A1100P t = 1.0	Metallic silver / painted (conductive inside)
3	Screw (M3-5 truss head)	4 / 6	—	Nickel plated

■ Cover and Base are covered with a protection film on one side.

T dimensions

■ DXF/DWG/PDF/STP drawings available on our website.



APPLICATION EXAMPLE : Controller



※Only applicable to T30-7-18 model.

Product no. / Dimensions

Product no.	External dimensions			Internal dimensions			a	Number of screws	Weight (g)
	W	H	D	w	h	d			
T 8-4- 5	80	35	50	69	32	33	10	4	49.5
T10-4- 7	100	40	70	89	37	53	10	4	78
NEW T10-7-10	100	70	100	89	67	83	10	4	134.5
T12-5- 8	120	50	80	109	47	63	10	4	110
NEW T12-7- 7	120	70	70	109	67	53	10	4	122.5
T15-5-10	150	50	100	139	47	83	15	4	153
NEW T15-9-15	150	85	150	139	82	133	15	4	261
NEW T16-7- 9	160	70	90	149	67	73	15	4	179
T20-6-13	200	60	130	189	57	113	15	4	252.5
NEW T22-8-14	220	80	140	209	77	123	15	4	332.5
T25-6-15	250	60	150	239	57	133	15	4	339
NEW T30-7-18	300	70	180	289	67	163	15	6	488.5

Accessories (Optional parts)



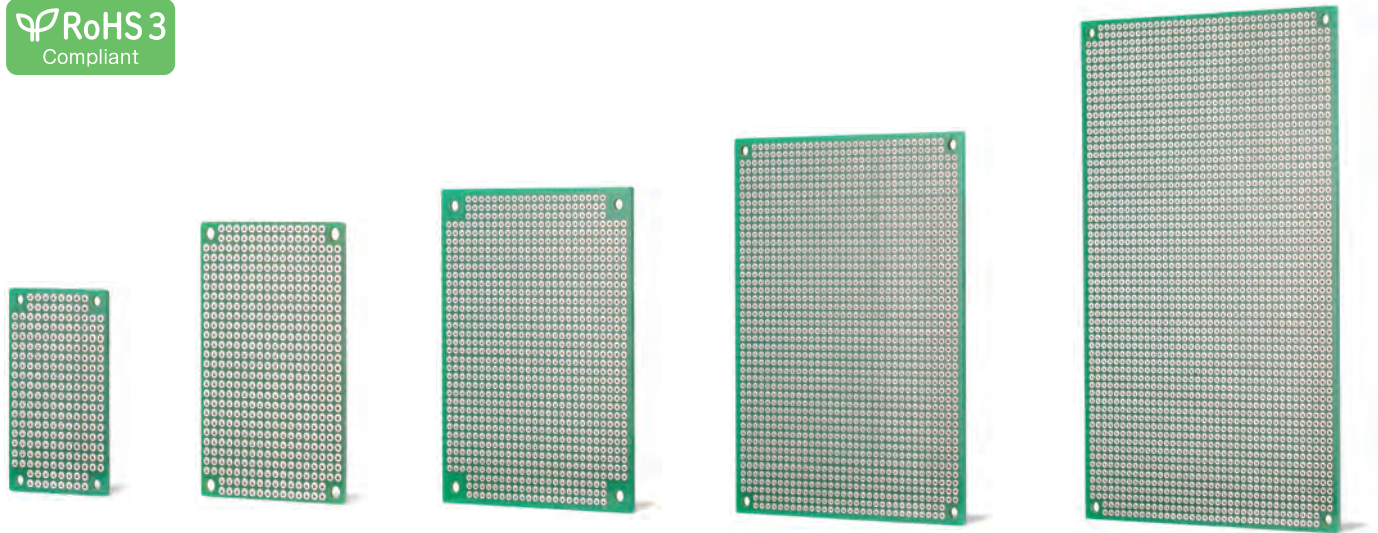
Rubber feet B series
See page Feet-1



Insert nut adhesive standoff AST series
See page 121

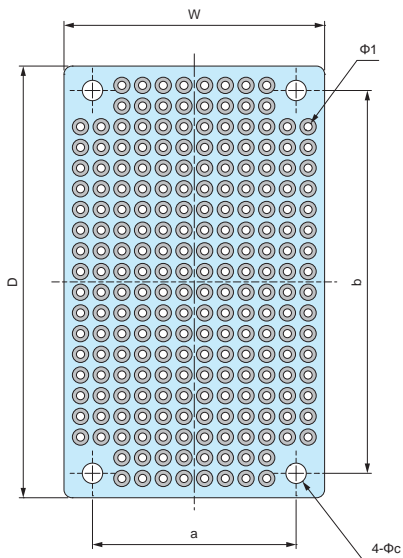
APPLICATION EXAMPLE : Switch Box





■ Detailed DXF/DWG/PDF drawings available online.

- Plated Through Holes (PTH) type PCB with a 2.54mm hole-to-hole pitch. Inexpensive and economical PCB made using robust, heat-resistant and non-conductive glass epoxy.
- Easily mounted onto bosses or standoffs via the mounting holes at each corner.
- Environmentally friendly lead-free solder. RoHS3 compliant.
- 5 different sizes available, with PCB100-160 being of Eurocard (3U) format size.



Accessories (Optional parts)



Adhesive standoff AST series
See page AST-1

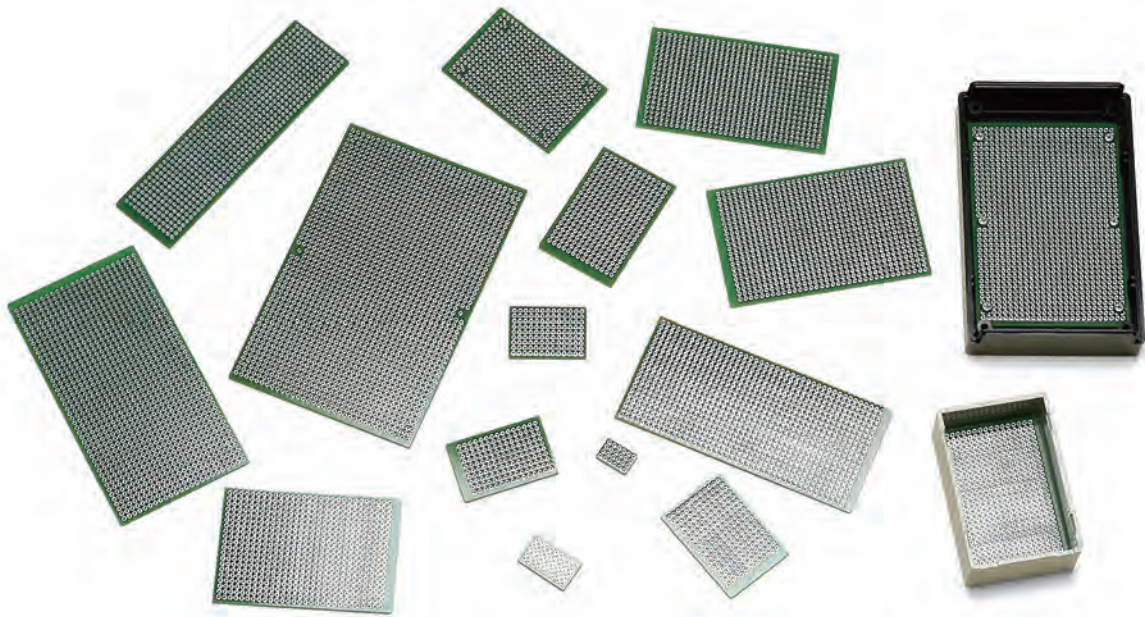


Adhesive standoff ASR series
See page ASR-1

Material / Finish : Glass epoxy (FR-4) / Through-hole - Lead-free solder resist

Product no. / Dimensions

Product no.	W	D	a	b	c	t	Mounting screw	Pack of
PCB 32- 53	32	53	25	47	2.5	1.2	M2 or M2.5	1
PCB 47- 72	47	72	41	66	3.2	1.2	M3	1
PCB 72- 95	72	95	62	85	3.2	1.2	M3	1
PCB 90-120	90	120	82	112	3.2	1.6	M3	1
PCB100-160	100	160	92	152	3.2	1.6	M3	1



- Material / Finish : Glass epoxy (FR-4) / Through-hole - Lead-free solder resist
- Environmentally friendly lead-free solder.
- 25 different sizes available. See chart on page TNF-2 for suitable cases/boxes.
- TNF160-240 is for multi-size use. Cut it to fit your needs when using.

Accessories (Optional parts)



Tapping standoff TPS series
See page TPS • MT-1



Adhesive standoff T-600, 700 series
See page Standoff-1

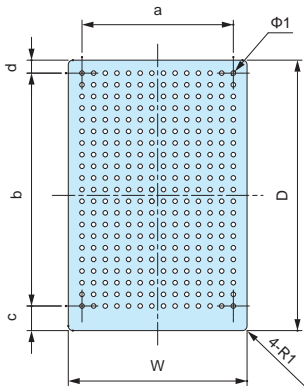


Adhesive standoff ASR series
See page Standoff-1

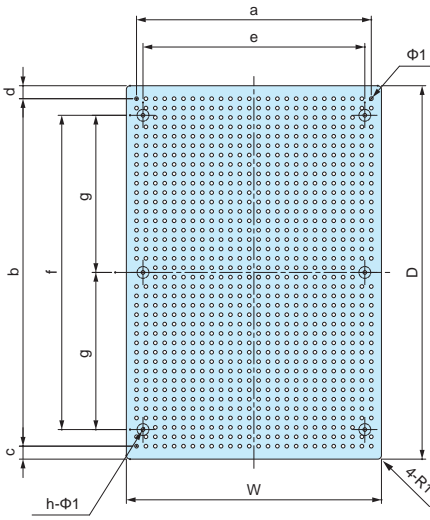


PCB mounting screw EM series
See page EM • MR-1

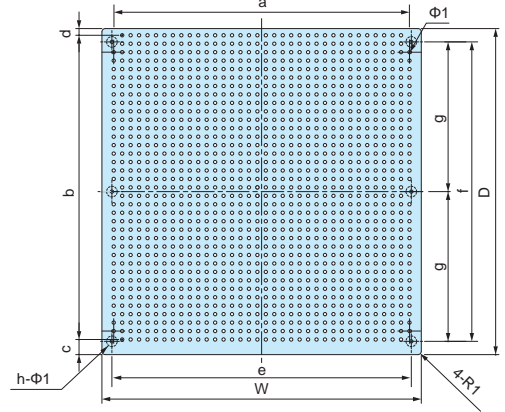
Pattern A



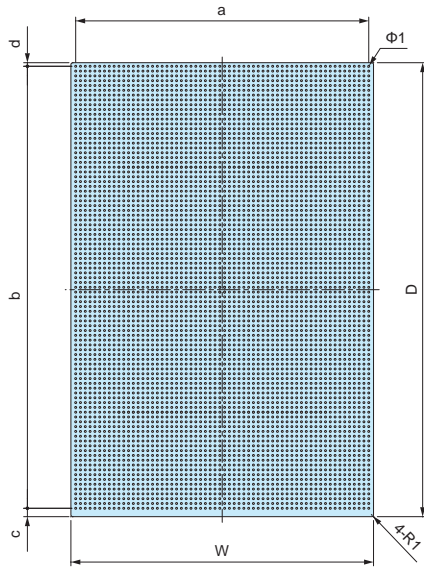
Pattern B



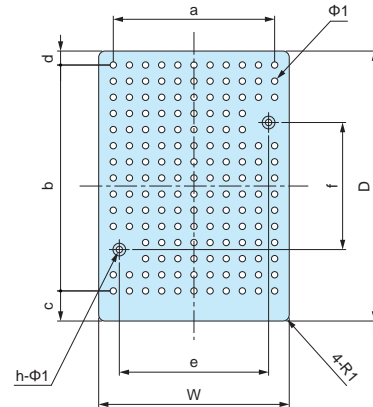
Pattern C



Pattern D



Pattern E



Product no. / Dimensions

■ Pattern B, C, and E PCBs come with holes for boss mounting.

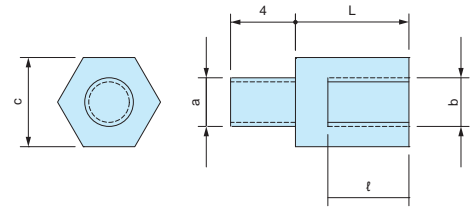
Product no.	W	D	a	b	c	d	e	f	g	h	Holes	Pattern	Suitable case
TNF 11- 16	10.7	15.8	7.62	12.7	1.55	1.55	—	—	—	—	4 x 6	A	SW-20
TNF 15- 25	15	25	10.16	20.32	2.34	2.34	—	—	—	—	5 x 9	A	SW-30
TNF 25- 35	25	35	20.32	30.48	2.26	2.26	—	—	—	—	9 x 13	A	SW-40
TNF 29- 32	29.5	32.5	25.4	25.4	4.82	2.28	23.5	20	—	2	11 x 11 ■	E	TW • TWN4-2-5
TNF 29- 42	29.5	42.5	25.4	35.56	4.74	2.2	23.5	20	—	2	11 x 15 ■	E	TW • TWN4-2-6
TNF 29- 44	29	44	22.86	35.56	5.49	2.95	—	—	—	—	10 x 15	A	SW-50 • 53
TNF 34- 49	34	49	27.94	40.64	5.45	2.91	—	—	—	—	12 x 17	A	SW-55
TNF 34- 62	34.5	62.5	30.48	55.88	4.58	2.04	28.5	40	—	2	13 x 23 ■	E	TW • TWN4-2-8
TNF 34-124	34	124	27.94	116.84	4.85	2.31	—	—	—	—	12 x 47	A	SW-130
TNF 39- 59	39	59	33.02	50.8	5.37	2.83	—	—	—	—	14 x 21	A	
TNF 39- 70	39.5	70	33.02	60.96	5.79	3.25	27.94	58.42	—	4	14 x 25	A	TW • TWN5-3-9
TNF 43- 66	43	66	38.1	58.42	3.79	3.79	30	50	—	4	16 x 24 ■	B	
TNF 43- 79	43.5	79.5	38.1	73.66	2.92	2.92	—	—	—	—	16 x 30	A	TW5-3-10
TNF 44- 69	44	69	38.1	60.96	5.29	2.75	—	—	—	—	16 x 25	A	SW-75
TNF 52- 89	52	89	45.72	81.28	3.86	3.86	—	—	—	—	19 x 33	A	SW-95
TNF 53- 79	53	79	48.26	71.12	5.21	2.67	—	—	—	—	20 x 29	A	SW-85 • TW • TWN7-□-11
TNF 53-114	53	114	48.26	106.68	4.93	2.39	—	—	—	—	20 x 43	A	SW-120
TNF 59- 94	59	94	53.34	86.36	5.09	2.55	—	—	—	—	22 x 35	A	SW-100
TNF 63-119	63	119	58.42	111.76	4.89	2.35	—	—	—	—	24 x 45	A	SW-125
TNF 69-101	69	101	63.5	93.98	3.51	3.51	60	—	42.5	6	26 x 38 ■	B	
TNF 89-136	89	136	83.82	129.54	3.23	3.23	80	—	60	6	34 x 52 ■	B	
TNF 96- 98	96	98	88.9	91.44	4.55	2.01	90	90	45	6	36 x 37 ■	C	
TNF122- 99	122	99	116.84	91.44	3.78	3.78	—	—	—	—	47 x 37	A	
TNF128-136	136	128	129.54	121.92	4.31	1.77	130	120	60	6	52 x 50 ■	C	
TNF160-240	160	240	154.94	233.68	3.93	2.39	—	—	—	—	62 x 93	D	

TPS series

TAPPING STANDOFF



TPS dimensions



■ DXF/DWG/PDF drawings available on our website.

- Tapping screw head allows for easy installation onto existing enclosure boss mount.
- 4 different sizes available : M2.3, M2.6, M3 and M4 size.

Product no. / Dimensions

■ Material / Finish : Brass / Unfinished

Product no.	Screw size (a)	Screw size (b)	c	L	ℓ	Pack of	Suitable models	
TPS-M2.3-4	M2.3	M2.3	5	4	3	4	WH series • PFE series LC • LCE • LCS • LCT series PF • PFF series (M2.3 boss models) TW • TWN • TWF series (M2.3 boss models) WP series (M2.3 boss models)	
TPS-M2.3-5	M2.3	M2.3	5	5	3	4		
TPS-M2.3-6	M2.3	M2.3	5	6	4	4		
TPS-M2.3-7	M2.3	M2.3	5	7	5	4		
TPS-M2.3-8	M2.3	M2.3	5	8	6	4		
TPS-M2.3-10	M2.3	M2.3	5	10	6	4		
TPS-M2.3-12	M2.3	M2.3	5	12	6	4		
TPS-M2.6-4	M2.6	M2.6	5	4	3	4		PF • PFF series (M2.6 boss models) WP series (M2.6 boss models)
TPS-M2.6-5	M2.6	M2.6	5	5	3	4		
TPS-M2.6-7	M2.6	M2.6	5	7	5	4		
TPS-M2.6-10	M2.6	M2.6	5	10	6	4		
TPS-M2.6-12	M2.6	M2.6	5	12	6	4		TWS • TW • TWN • TWF series (M3 boss models)
TPS-M3-4	M3	M3	5.5	4	3	4		
TPS-M3-5	M3	M3	5.5	5	3	4		
TPS-M3-6	M3	M3	5.5	6	4	4		
TPS-M3-7	M3	M3	5.5	7	5	4		
TPS-M3-8	M3	M3	5.5	8	5	4		
TPS-M3-10	M3	M3	5.5	10	6	4	BCAP • BCPC • BCPK • BCAR • BCPR series (M4 boss models)	
NEW TPS-M4-6	M4	M4	7	6	4	4		
NEW TPS-M4-10	M4	M4	7	10	6	4		
NEW TPS-M4-15	M4	M4	7	15	8	4		
NEW TPS-M4-20	M4	M4	7	20	10	4		



■ Please use a suitable sized socket driver to both secure and loosen the tapping standoff.



How to tighten

MT series

PCB MOUNTING SCREWS for TPS



■ PCB mounting Screws for TPS tapping standoffs

Product no. / Dimensions

Product no.	M	L	Head style	Material	Finish	Pack of
MT2.3-4	2.3	4	Pan	Steel	Trivalent chromate	20
MT2.3-6	2.3	6		Steel	Trivalent chromate	20
MT2.6-4	2.6	4		Steel	Trivalent chromate	20
MT3-4	3	4		Steel	Trivalent chromate	20

AST series

INSERT NUT ADHESIVE STANDOFF

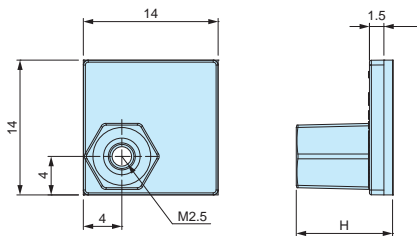


- Double-sided adhesive tape allows the standoff to be mounted quickly and easily; allows PCB mounting in non-boss enclosures.
- Convenient for installing PCBs into enclosures without the need for customization.
- Please ensure that surface is cleaned and grease-free before adhering.
- Once removed, it cannot be adhered on again.

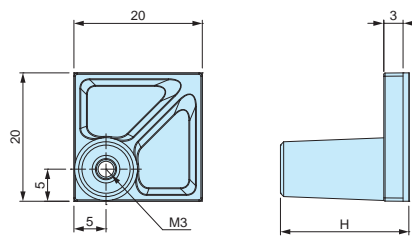
AST dimensions

■ DXF/DWG/PDF/STP drawings available on our website.

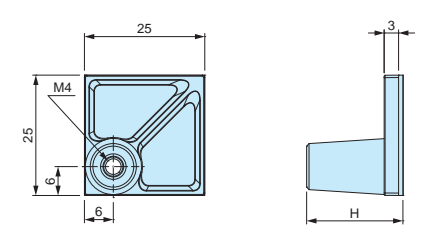
AST2.5-□



AST3-□



AST4-□



Product no. / Dimensions

Bulk package

Product no	H dimension	Included screw	Recommended PCB Thickness (mm)	Recommended torque (N · m)	Weight (g)	Pack of	Product no	Pack of
AST2.5-5B	5	M2.5-5 pan head	1.0 ~ 2.0	0.3	0.6 (1 piece)	4	AST2.5-5B-P	100
AST2.5-10B	10	M2.5-5 pan head	1.0 ~ 2.0	0.3	0.8 (1 piece)	4	AST2.5-10B-P	100
AST3-6B	6	M3-6 pan head	1.0 ~ 3.0	0.4	1.5 (1 piece)	4	AST3-6B-P	100
AST3-10B	10	M3-6 pan head	1.0 ~ 3.0	0.4	1.6 (1 piece)	4	AST3-10B-P	100
AST3-15B	15	M3-6 pan head	1.0 ~ 3.0	0.4	1.8 (1 piece)	4	AST3-15B-P	100
AST3-20B	20	M3-6 pan head	1.0 ~ 3.0	0.4	2.1 (1 piece)	4	AST3-20B-P	100
AST4-10.5B	10.5	M4-8 pan head	1.0 ~ 3.5	0.8	2.6 (1 piece)	4	AST4-10.5B-P	50
AST4-20B	20	M4-8 pan head	1.0 ~ 3.5	0.8	3.2 (1 piece)	4	AST4-20B-P	50

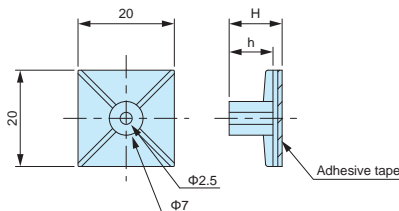
- Base material / color : Nylon 66 (UL94V-2) / Black
- Nut + screw material / finish : Steel / Trivalent chromate

- Bulk packaging is available. See "Bulk package" column above.
- Screws are not included for bulk packages.

ASR series

ADHESIVE PCB STANDOFF

ASR dimensions



■ DXF/DWG/PDF drawings available on our website.

Technical Data
Recommended torque : 0.4N · m

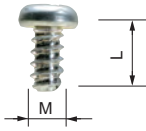
- M3 tapping screw use adhesive standoff. Recommended to be used with EM-3 or EM-3-6 self-tapping screws (See page 123).
- Please ensure that surface is cleaned and grease-free before adhering.
- Once removed, it cannot be adhered on again.

Product no. / Dimensions

Product no	H	h	Weight (g)	Pack of
ASR- 5	5.1	3.1	0.9 (1 piece)	10
ASR- 6	6.4	4.4	1.0 (1 piece)	10
ASR- 7	7.2	5.1	0.9 (1 piece)	10
ASR- 8	8.1	6.3	0.9 (1 piece)	10
ASR- 9	9	7	1.0 (1 piece)	10
ASR-11	11	9	1.0 (1 piece)	10
ASR-13	12.7	10.7	1.2 (1 piece)	10
ASR-14.5	14.7	12.8	1.1 (1 piece)	10
ASR-16	15.9	13.9	1.3 (1 piece)	10
ASR-19	19.1	17.1	1.4 (1 piece)	10

EM series

PCB MOUNTING SCREW



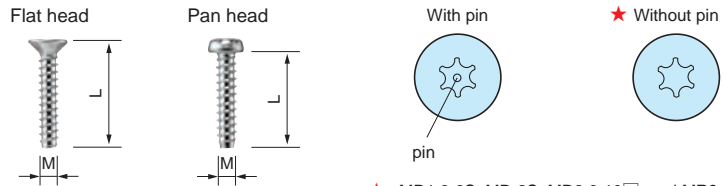
- Self-tapping screws for mounting PCB on bosses or standoffs.
- EM-3-6 self-tapping screws are suitable for mounting 1.6mm or thicker PCB.

Product no. / Dimensions

Product no.	M	L	Material	Finish	suitable models	Pack of
EM-1.6	1.6	4	Steel	Trivalent chromate	CSS • CS WC • PS (M1.6 boss models)	50
EM-2	2	5	Steel	Trivalent chromate	SIC • SIM • WC • PS • TW • TWN • TWF PF • WC • WP (M2 boss models)	50
EM-2.3	2.3	6	Steel	Trivalent chromate	WH • LC • LCT • LCS • LCE • PFE WSC (Top cover bosses) PF • PFF (M2.3 boss models) TW • TWN • TWF (M2.3 boss models) WP (M2.3 boss models)	50
EM-2.3-8	2.3	8	Steel	Trivalent chromate	WSC (Bottom base bosses)	50
EM-2.6	2.6	6	Steel	Trivalent chromate	PF • PFF • WP (M2.6 boss models)	50
EM-3	3	5	Steel	Trivalent chromate	TWS • TW • TWN • TWF (M3 boss models)	50
EM-3-6	3	6	Steel	Trivalent chromate		50

MR series

TORX SCREW



★ : MR1.6-6S, MR-2S, MR2.6-10□, and MR3-14□ are without pin.

Product no. / Dimensions

Product no.	M	L	head no.	Head style	Material	Finish	Suitable models	Pack of
MR1.6-6S★	1.6	6	T3	Pan	Steel	Nickel plated	CSS • CS	20
MR2.5-8PS	2.5	8	T8	Pan	Steel	Nickel plated	PF • PFE • PFF (M2.5 boss models)	20
MR2.6-10S★	2.6	10	T8	Flat	Steel	Nickel plated	TW • TWN (M2.6 boss models) TWF (M2.6 boss models)	20
MR2.6-10B★	2.6	10	T8	Flat	Steel	Black trivalent chromate	MX • MXA • MXB • MXF (M2.6 boss models)	20
MR2.6-12PS	2.6	12	T8	Pan	Steel	Nickel plated	LCT • LCS • LC115-F2 / F3 LCT • LCS • LC145S-F6	20
MR2.6-14PS	2.6	14	T8	Pan	Steel	Nickel plated	LCT • LCS • LC115H-F2 / F3 / M2 / 9V LCT • LCS • LC135-F4 / M2 / M3 / 9V LCT • LCS • LC135H-F4 / M2 / M3 / 9V LCT • LCS • LC145-F6 / M2 / M4 LCT • LCS • LC145H-F6 / M2 / M4 LCT • LCS • LC165-M4 LCT • LCS • LC165H-M4	20
MR2.6-14S	2.6	14	T8	Flat	Steel	Nickel plated	LCT • LCS • LC115-N / F2 / F3 LCT • LCS • LC145S-F6 / 145S-N LCE115-N TW • TWN7-2-11 / 7-4-11 / 7-5-11 TWF7-2-11 / 7-4-11 / 7-5-11 / 8-2-8 / 8-4-8	20
MR2.6-18S	2.6	18	T8	Flat	Steel	Nickel plated	LCT • LCS • LC115H-N / F2 / F3 / M2 / 9V LCT • LCS • LC135-N / F4 / M2 / M3 / 9V LCT • LCS • LC135H-N / F4 / M2 / M3 / 9V LCT • LCS • LC145-N / F6 / M2 / M4 LCT • LCS • LC145H-N / F6 / M2 / M4 LCT • LCS • LC165-N / M4 LCT • LCS • LC165H-N / M4 LCE115H-N • LCE135-N • LCE145H-N • LCE165H-N	20
MR3-8PS	3	8	T10	Pan	Steel	Nickel plated	PF • PFE • PFF (M3 boss models)	20
MR3-14S★	3	14	T10	Flat	Steel	Nickel plated	TW • TWN (M3 boss models) TWF (M3 boss models)	20
MR3-14B★	3	14	T10	Flat	Steel	Black trivalent chromate	MX • MXA • MXB • MXF (M3 boss models)	20
MR-1S	3	5	T10	Flat	Steel	Nickel plated	UC	20
MR-1B	3	5	T10	Flat	Steel	Black trivalent chromate		20

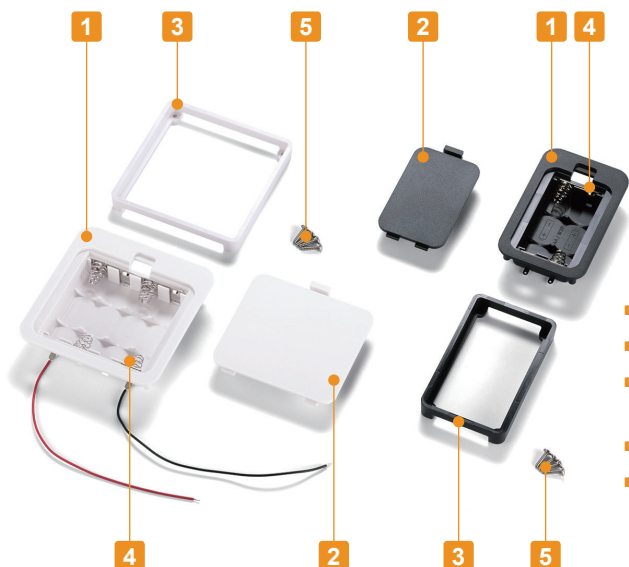
★ Mark = Without pin



Technical Data

Operating temperature: -10°C ~ +60°C

Mount Example



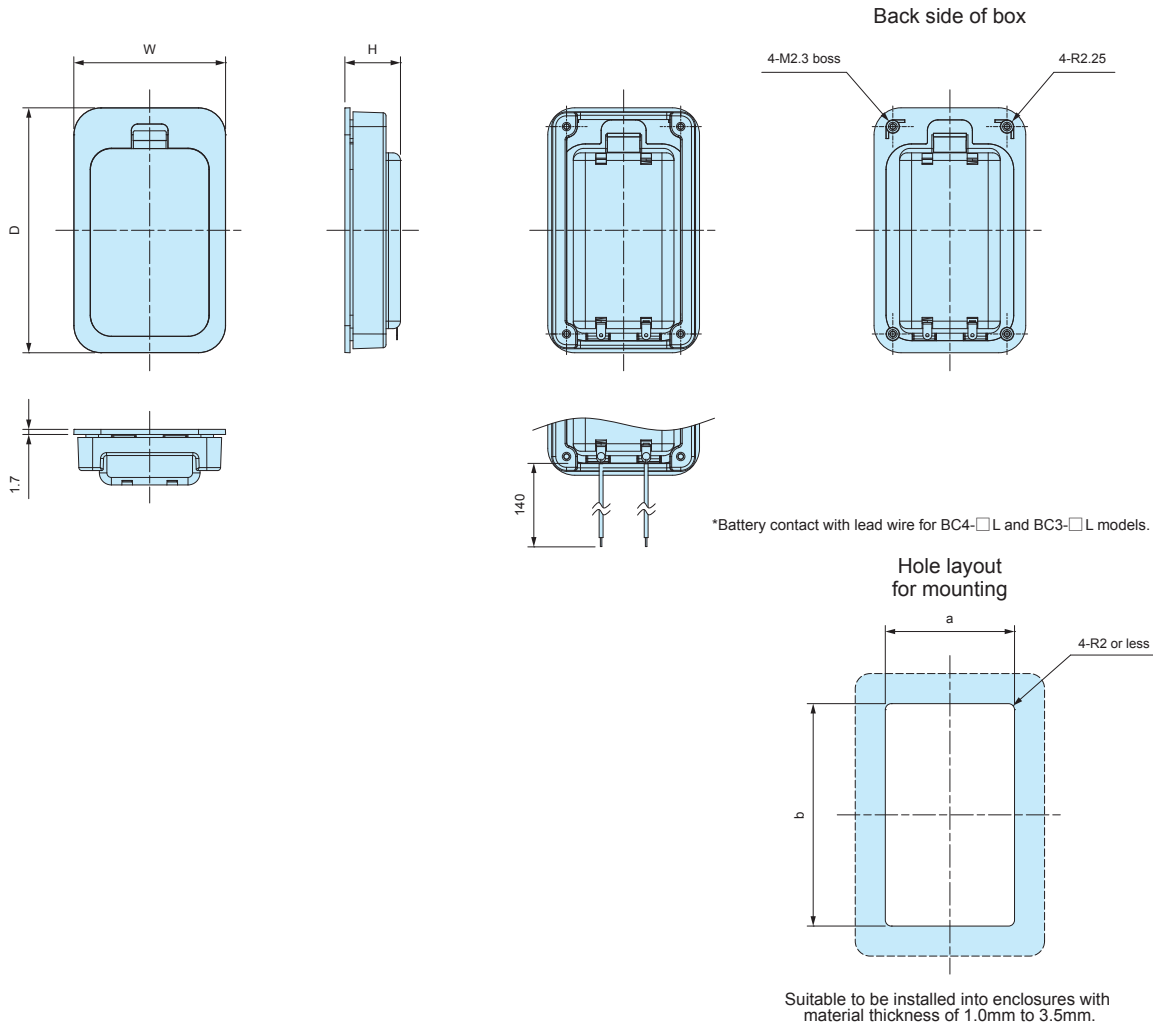
- Suitable to be installed into enclosures with material thickness of 1.0mm to 3.5mm.
- Cover can be opened/closed without any tool for easy battery replacement.
- 5 different battery layouts are available as AA x 2, AA x 3, AA x 4, AAA x 2 and AAA x 4. Each layout comes in 2 models: with lead-wire, and without lead-wire.
- ⊕ ⊖ markings prevents incorrect placement of battery.
- The dimensions of alkaline or manganese batteries may vary depending on country and brand. Use optional battery cushion sponge to preventing rattling.

Components

No.	Part name	Pcs	Material	Color / Finish
1	Box	1	ABS UL94V-0	Black • Off-white
2	Cover	1	ABS UL94V-0	Black • Off-white
3	Frame	1	ABS UL94V-0	Black • Off-white
4	Battery contact Lead wire (BC-L models)	1 set	Battery contact : Brass & steel wire Lead wire : PVC + Copper wire (UL1007 AWG26)	Nickel plated Black • Red
5	Self-tapping screw	4	Steel	Nickel plated

BC dimensions

- DXF/DWG/PDF/STP drawings available on our website.
- The shape and position of battery contacts vary by models.



Type: Without Lead Wire

Product no. / Dimensions

Product no.		Dimensions					Battery layout	Weight (g)
● Black	● Off-white	W	H	D	a	b		
BC4-2-B	BC4-2-W	40	14.8	78.5	32.5	71	*AAA x 2	24.5
BC4-4-B	BC4-4-W	62	14.8	78.5	54.5	71	*AAA x 4	34.5
BC3-2-B	BC3-2-W	50.5	18.5	81.5	43	74	*AA x 2	31.5
BC3-3-B	BC3-3-W	65.5	18.5	81.5	58	74	*AA x 3	39
BC3-4-B	BC3-4-W	80.5	18.5	81.5	73	74	*AA x 4	46

*Alkaline or manganese batteries

Type: With Lead Wire

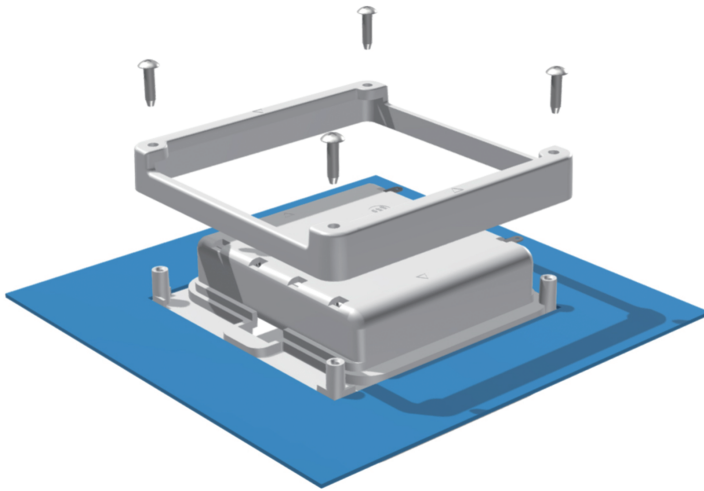
Product no. / Dimensions

Product no.		Dimensions					Battery layout	Weight (g)
● Black	● Off-white	W	H	D	a	b		
BC4-2L-B	BC4-2L-W	40	14.8	78.5	32.5	71	*AAA x 2	25.5
BC4-4L-B	BC4-4L-W	62	14.8	78.5	54.5	71	*AAA x 4	35.5
BC3-2L-B	BC3-2L-W	50.5	18.5	81.5	43	74	*AA x 2	32.5
BC3-3L-B	BC3-3L-W	65.5	18.5	81.5	58	74	*AA x 3	40
BC3-4L-B	BC3-4L-W	80.5	18.5	81.5	73	74	*AA x 4	47

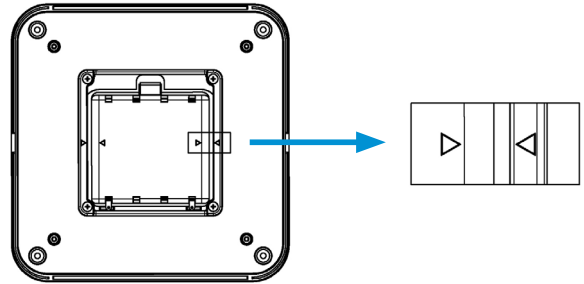
*Alkaline or manganese batteries

How to mount on the enclosures

■ Insert battery box into the milled hole first, and fit the frame on the back side. Once mounted, secure the frame with screws.



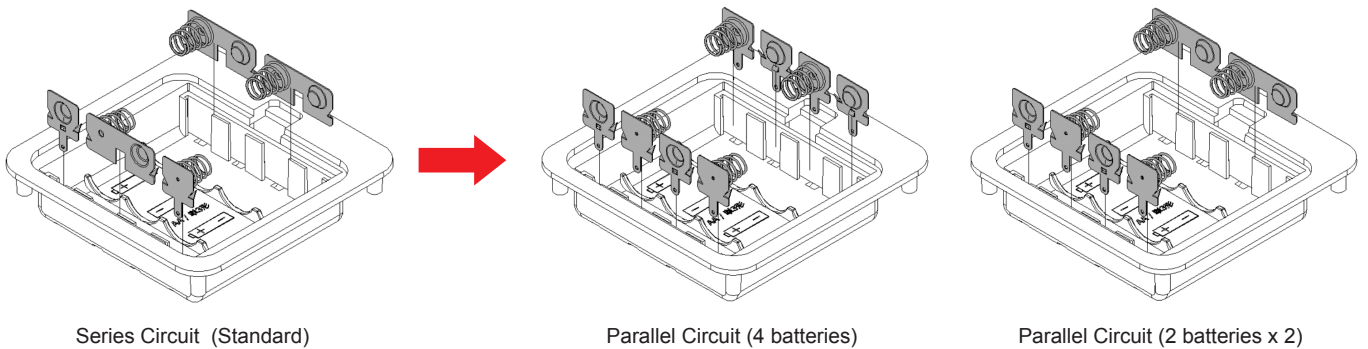
■ For BC3-4□ models, ▷ markings are shown on the frame. Install by matching the markings.



Parallel circuit conversion on BC series battery box

- BC-3□ models can be converted from a series to a parallel circuit. See below illustration for further details.
- IT series (IT-3 models) optional battery contacts can be used for parallel circuit conversion. (See website for more information)
- Use caution when installing or replacing the terminals to avoid the damage to the material.
- Parallel series conversion is available via our customization services.

Conversion Example

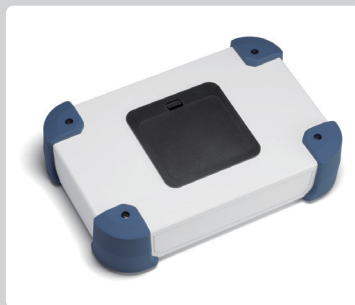


Series Circuit (Standard)

Parallel Circuit (4 batteries)

Parallel Circuit (2 batteries x 2)

Customization Available



For more information, contact us here:

Online form: https://www.takachi-enclosure.com/custom/form_custom
 E-mail : sales@takachi-el.co.jp



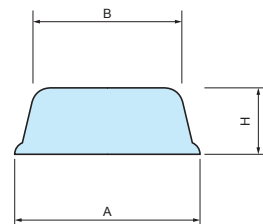
Mount Example



■ BC series battery boxes can also be mounted on aluminium enclosures.

B SERIES ADHESIVE RUBBER FEET

■ DXF/DWG/PDF drawings available on our website.



■ Injection molded type.

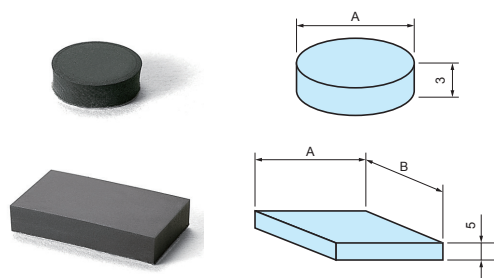
Product no. / Dimensions

■ Material : Synthetic rubber

Product no.	A	B	H	Color	Pack of
B 6-2	6	5	1.8	Black	10
B 8-4	8	7.7	3.5	Black	10
B10-4	10	9.2	4.2	Black	10
B11-3	10.8	10.2	3	Black	10
B11-5	11	9.6	5	Black	10
B12-4	12.7	10	3.8	Black	10
B15-5	15.4	14.8	5.1	Black	10
B16-7	16	13	7	Black	10
B19-4	19	15.8	4.2	Black	10
B21-7	21	17	7	Black	10
B23-5	22.8	22.4	5	Black	10
B26-11	26	20	11	Black	10
B 6-2G	6	5	1.8	Gray	10
B11-3G	10.8	10.2	3	Gray	10
B15-5G	15.4	14.8	5.1	Gray	10
B21-7G	21	17	7	Gray	10
B26-11G	26	20	11	Gray	10

B-P SERIES ADHESIVE RUBBER FEET

■ DXF/DWG/PDF drawings available on our website.



■ Press-punched type.

Product no. / Dimensions

■ Material / Color : Synthetic rubber / Black

Product no.	A	Pack of
B-P21	10	10
B-P22	20	10
B-P23	15	10

Product no. / Dimensions

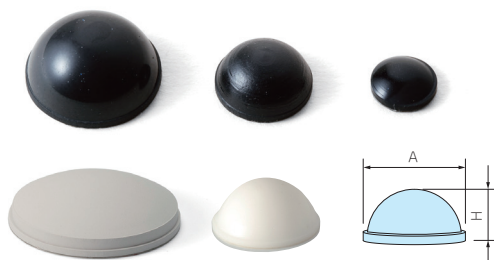
■ Material / Color : Synthetic rubber / Black

Product no.	A	B	Pack of
B-P31	28	16	10
B-P32	46	26	10

TB SERIES ROUNDED ADHESIVE RUBBER FEET



■ DXF/DWG/PDF drawings available on our website.



Product no. / Dimensions

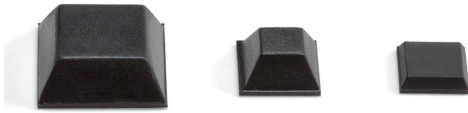
■ Material : Synthetic rubber

Product no.		A	H	Pack of
● Black	● White (W) ● White gray (G)			
TB- 7	-	6.7	4.2	10
TB- 8	NEW TB- 8W	8	2.6	10
TB-10	-	10	2.8	10
TB-12	NEW TB-12W	11.3	5.6	10
TB-14	-	14	8	10
TB-16	NEW TB-16W	15.9	8	10
TB-21	-	21.6	8.5	10
TB-27	TB-27G	27.8	7.4	10

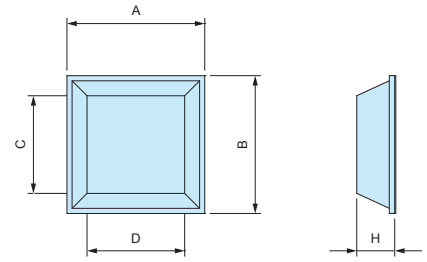
SF SERIES

SQUARE ADHESIVE RUBBER FEET - LOW COST TYPE

■ DXF/DWG/PDF drawings available on our website.



■ Square-shaped adhesive rubber feet.



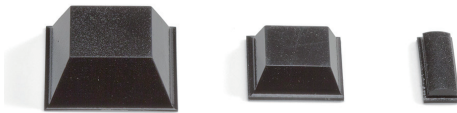
Product no. / Dimensions

■ Material / Color : Synthetic rubber / Black

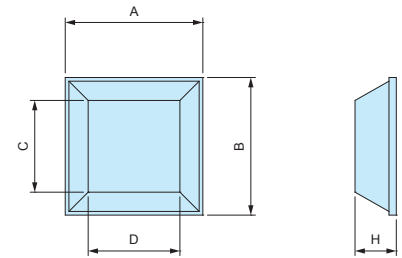
Product no.	A	B	H	C	D	Pack of
SF11-3	10.5	10.5	2.5	8.6	8.6	10
SF13-4	12.7	12.7	3.5	9	9	10
SF13-6	12.7	12.7	6	7	7	10
SF20-8	20	20	7.6	14	14	10

SJ-P SERIES

SQUARE ADHESIVE POLYURETHANE FEET



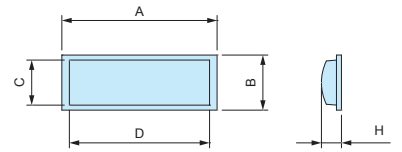
- Strong adhesive strength with the use of rubber pressure sensitive adhesive.
- Polyurethane material is resistant against color migration.



Product no. / Dimensions

■ Material / Color : Polyurethane / Black

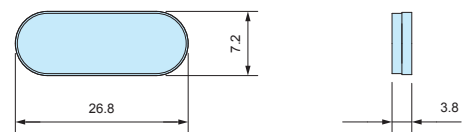
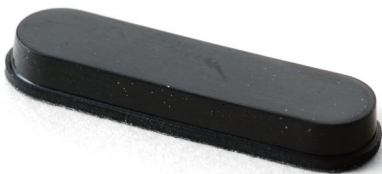
Product no.	A	B	H	C	D	Pack of
SJ-P5007	10.4	10.4	2.5	7.5	7.5	10
SJ-P5008	12.7	12.7	3	9.5	9.5	10
SJ-P5018	12.7	12.7	5.8	7	7	10
SJ-P1004	15	15	4.5	10	10	10
SJ-P5023	20.6	20.6	7.6	12.7	12.7	10
SJ-P1011	15.5	5.5	2	4.5	14.5	10



SJ-P1011

TN-27

OVAL ADHESIVE RUBBER FEET



Product no. / Feature

■ Material / Color : Synthetic rubber / Black

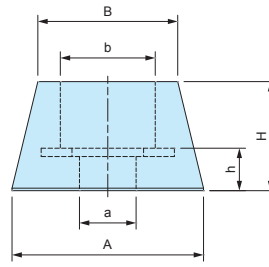
Product no.	Pack of
TN-27	10

B-P SERIES SCREW MOUNT RUBBER FEET

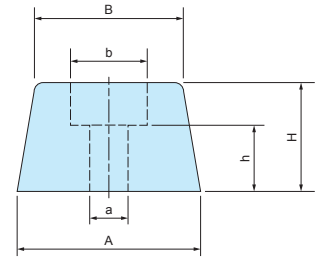
■ DXF/DWG/PDF drawings available on our website.



- Built-in washer and non-washer types are available.
- Installation screws are separately sold.



B-P1S, P1M, P1L, P2S, P4, P5



B-P1, P2, P3

Product no. / Dimensions

■ Color : Black

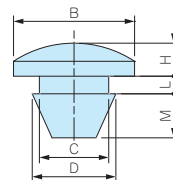
Product no.	A	B	H	a	b	h	Washer	Material	Pack of
B-P1S	11.5	8.4	7.2	3.4	5.7	3.2	○	Synthetic rubber	10
B-P1M	15	15	4	3.5	7.4	2.2	○	Synthetic rubber	10
B-P1	15	13	7.7	3	6	4.2	×	Synthetic rubber	10
B-P1L	16	13	7.8	3	6	3.7	○	Synthetic rubber	10
B-P2S	18	15	11	3	6	5	○	Synthetic rubber	10
B-P2	19	15	8	3	6	4.5	×	Synthetic rubber	10
B-P3	22	18	13	3	7.5	7	×	Synthetic rubber	10
B-P4	32	26	20	5	15	10	○	EPDM	10
B-P5	32	28	15	5	14	10	○	EPDM	10

B-P SERIES SNAP-IN RUBBER FEET

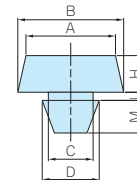
■ DXF/DWG/PDF drawings available on our website.



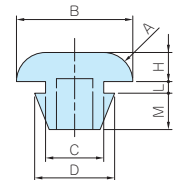
- Hole milling required for installation.



B-P10



B-P10S, P11, P12



B-P13, P14, P15

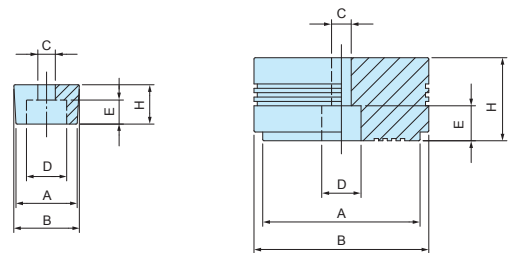
Product no. / Dimensions

Product no.	A	B	H	C	D	L	M	Material	Color	Pack of
B-P10S	8	8	2	5	5.6	0.9	3	Silicone UL94V-0	Black	10
B-P10	—	11	3	6.3	7.6	1.6	4	Silicone UL94V-0	Black	10
B-P11	11	13	4.5	5.5	7	1	4	Synthetic rubber	Black	10
B-P12	15	17	4.5	5.5	7	1	4	Synthetic rubber	Black	10
B-P13	R3	12	3	5	7	1.6	4	EPDM	Black	10
B-P14	R4	14	4	6	9	1.6	5	EPDM	Black	10
B-P15	R4	16	4	8	11	1.6	5	EPDM	Black	10

A-P SERIES

SCREW MOUNT ELASTOMER FEET

■ DXF/DWG/PDF drawings available on our website.



A-P1 ~ A-P5

A-P6

- Prepare screws for installation.
- Resistant against color migration.

Product no. / Dimensions

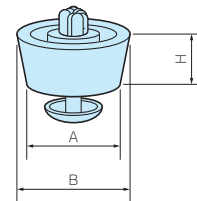
■ Material / Color : Elastomer / Black

Product no.	A	B	H	C	D	E	Pack of
A-P1	9.4	10.8	4	3.3	6.8	2	10
A-P2	13.4	14.2	5.5	3	8	3.5	10
A-P3	14	15	9	4	9.5	6	10
A-P4	20	21	8	4	8.2	5	10
A-P5	20	24	14	5.5	8.6	8	10
A-P6	36	40	19	4.5	9	7.5	10

TP SERIES

SNAP-IN ELASTOMER FEET

■ DXF/DWG/PDF drawings available on our website.



- Easy installation with snap-in pin.
- Require a hole for installation.
- Resistant against color migration.

Product no. / Dimensions

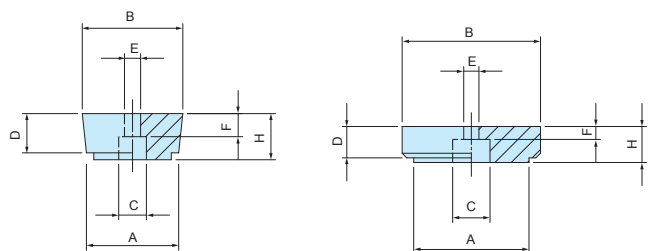
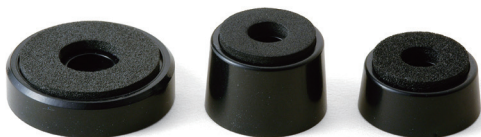
■ Material / Color : (Feet) LDPE • (PIN) PP / Black

Product no.	A	B	H	Mounting hole	Panel thickness	Pack of
TP-1	12	12.7	4.4	5	1.0 ~ 2.0	10
TP-2	15	15.7	4.4	5	1.0 ~ 2.0	10
TP-3	17.2	19.2	7.9	8	0.8 ~ 1.2	10
TP-4	18	20	10	8	1.0 ~ 2.5	10
TP-5	19.8	20.8	6.4	8	1.0 ~ 2.5	10
TP-6	19.5	23.7	13.7	8	1.0 ~ 2.5	10
TP-7	26.5	29.4	15	10	1.0 ~ 3.5	10

TM SERIES

PLASTIC FEET

■ DXF/DWG/PDF drawings available on our website.



TM-1, TM-2

TM-1S, TM-3

- Plastic feet equipped with soft padding on the bottom to prevent sliding.

Product no. / Dimensions

Product no.	A	B	H	C	D	E	F	Feet material	Pad material	Color	Pack of
TM-1S	15.9	19.5	6.3	7	5.8	4	2.3	ABS UL94HB	Silicone	Black	10
TM-1	20	21.8	10	7.2	8.5	3.5	4.5	ABS UL94HB	EVA	Black	10
TM-2	20	21.8	15	7.2	13.5	3.5	4.5	ABS UL94HB	EVA	Black	10
TM-3	25	30	7.8	8.1	6.8	3.3	2.7	ABS UL94HB	EVA	Black	10

AFS•AFM series

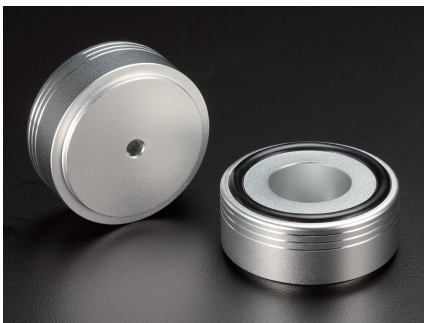
ALUMINIUM ISOLATION FEET



- The surface treatment and finish allows the feet to exhibit a polished and luxurious feel.
- Non-slip NBR O-ring is present on the underside of the feet.
- Suitable for use in audio devices.

Available in both internal and external screw installation type.

External type / Shot blast finish (AFS series)



The external type is secured via screws from the underside / base of the feet to the enclosure. A thread hole is required for direct securing, while a circular hole is required for lock nut securing.

The shot blast finish provides a high quality surface finish look, and pairing well with various types of enclosure surfaces.

Available in both silver and black.

Internal type / Reflective finish (AFM series)



The internal type is secured via screws from the inside of the enclosure. A circular hole is required for securing into the pre-made threads in the top-side of the feet.

The reflective surface finish adds a high quality touch to the unit, allow it to have a luxurious look.

Available only in Silver.

Accessories (Optional parts)

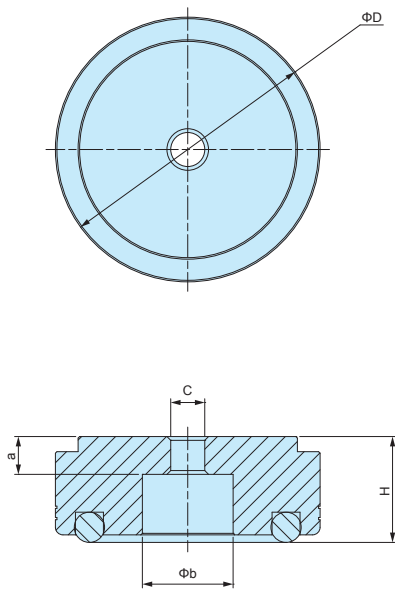
Product no. / Dimensions

Product no.		D	H	Installation type	C	a	b	Pack of
● Silver	● Black							
AFS20- 8S	AFS20- 8B	20	8	External	Φ3.4	3	9	4
AFS25-10S	AFS25-10B	25	10	External	Φ4.5	4	12	4
AFS30-12S	AFS30-12B	30	12	External	Φ4.5	5	12	4
AFS35-14S	AFS35-14B	35	14	External	Φ4.5	5	12	4
AFS39-16S	AFS39-16B	39	16	External	Φ4.5	5	15	4
AFS44-18S	AFS44-18B	44	18	External	Φ4.5	5	20	4
AFS55-20S	AFS55-20B	55	20	External	Φ5.5	5	20	4
AFM15- 7S	-	15	7	Internal	M3	4	-	4
AFM20- 9S	-	20	9	Internal	M3	5	-	4
AFM25-12S	-	25	12	Internal	M4	7	-	4
AFM30-14S	-	30	14	Internal	M4	8	-	4
AFM35-16S	-	35	16	Internal	M4	10	-	4
AFM39-18S	-	39	18	Internal	M4	10	-	4
AFM44-20S	-	44	20	Internal	M4	10	-	4
AFM55-22S	-	55	22	Internal	M5	15	-	4

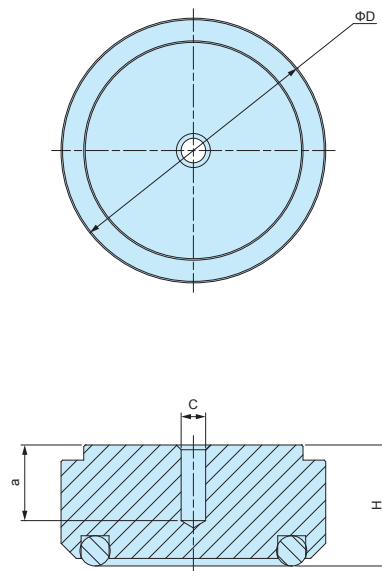
AFS • AFM dimensions

■ DXF/DWG/PDF/STP drawings available on our website.

AFS SERIES



AFM SERIES



APPLICATION EXAMPLE





EV series

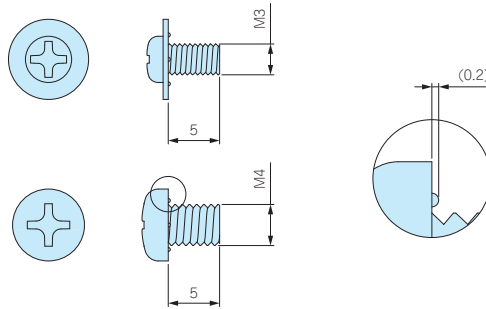
CONDUCTIVE SCREW



Conductive



EV dimensions



Base material exposed after being shaved.



Example: Internal grounding use.



- When tightened, protrusions on the underside of the screw head will shave away at the painted or anodized surface to expose the base material for achieving conductivity.

Product no. / Dimensions

Product no.	M	L	Material	Finish	Suitable series	Pack of
EV3-5S	3	5	Steel	Nickel plated	YM • MB • others	20
NEW EV-4S	4	5	Steel	Nickel plated	BDN • others	20

PLS • MTS • PM series

CAPTIVE FASTENER • CAPTIVE SCREW



PLS-1G
Plastic fastener



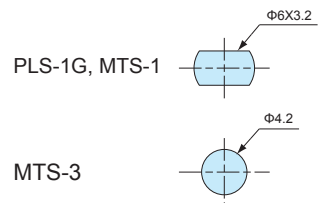
MTS-1
Metal fastener



MTS-3
Metal fastener



Hole layout for mounting



Product no. / Dimensions Fastener

Product no.	M	Material	Color / Finish	Pack of
PLS-1G	2.5	POM	White gray	50
NEW MTS-1	2.5	Steel	Zinc plated	8
NEW MTS-3	2.5	Steel	Nickel plated	10

NEW Conductive

PM-1□



PM-2□

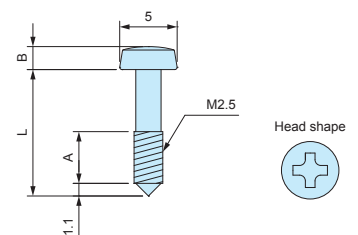


PM-3



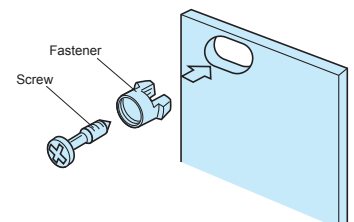
PM dimensions

PM-1□ • PM-2□



Product no. / Dimensions Screw

Product no.	Material	Finish	L	A	B	Suitable screw driver	Pack of
PM-1B	Steel	Black trivalent chromate	10	4	1.5	#1	50
PM-1S	Steel	Chrome plated	10	4	1.5	#1	50
PM-2B	Steel	Black trivalent chromate	11	5	2	#2	50
PM-2S	Steel	Nickel plated	11	5	2	#2	50
NEW PM-3	Steel	Nickel plated	7	2.5	2	#2	50



MR SERIES**SLOTTED RAISED COUNTERSUNK TORX SCREW**

- For use with top / bottom cover.
- Recommended for aesthetic purposes, or for tampering resistance.
- Requires the use of a specialized screwdriver.

Product no. / Dimensions

Product no.	M	L	TORX head no.	Material	Color / Finish	Pack of
MR3-5ZS	3	5	T10	Steel	Nickel plated	20
MR3-5ZB	3	5	T10	Steel	Black trivalent chromate	20