

PROTECTION CLASS (IP RATING)











IP67
is

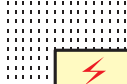

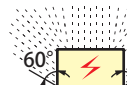
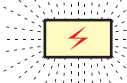
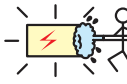

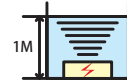

● IEC60529 standard is a system for classifying the degrees of protection provided by the enclosures of electrical equipment, such as against dust and water.

IP

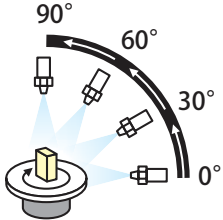
First digit : Solid particle protection

Second digit: Liquid ingress protection

No.	Protection against ingress of solid foreign objects	Protection against access to hazardous parts
0	No Protection	No Protection
1	 Protected against solid objects over 50mm.	 Protected against accidental touch by a large surface of the body, such as by hands. (Tested with a 50mm diameter steel ball.)
2	 Protected against solid objects over 12.5mm.	 Protected against accidental touch by fingers or similar objects (Tested with a 12mm diameter, 80mm long articulated finger)
3	 Protected against solid objects over 2.5mm.	 Protected against accidental touch by tools or thick wires. (Tested with a 2.5mm diameter, 100mm long bar)
4	 Protected against solid objects over 1.0mm.	 1.0 Protected against accidental touch by most wires and screws. (Tested with a 1.0mm diameter, 100mm long wire)
5	 Protected against dust; limited ingress, no harmful deposits.	
6	 Complete protection against dust.	

No.	Protection against ingress of liquid
0	No Protection
1	 Dripping water (vertically falling drops) for 10 minutes.
2	 Vertically dripping water when tilted at 15° for 10 minutes (2.5 minutes per position).
3	 Spraying water (at any angle) of 0.07ℓ/min up to 60° from the vertical for 10 minutes.
4	 Spraying water of 0.07ℓ/min from all directions for 10 minutes.
5	 Jets of water projected by a φ6.3 nozzle of 12.5ℓ / min from all directions at 1 min / 1m ² for at least 3 minutes.
6	 Powerful jets of water projected by a φ12.3 nozzle of 100ℓ / min from all directions at 1 min / 1m ² for at least 3 minutes.
7	 Immersion, up to 1 meter depth (for 30 mins).
8	 Immersion (test depth and duration beyond IPX7 requirements)

69K



80 to 100 barrel steam jets at 80°C (±5°C) from a 0°, 30°, 60°, and 90° angle, at a distance of 100 ~ 150mm for 30 sec x 5 sets

A point of note for Waterproof Boxes

- For outdoor use, direct sunlight will accelerate the degradation of the box. For more information, please see page Outdoor Use - 1.
- For customers planning to attach their own original mounting brackets onto the waterproof boxes, it is recommended to mill larger holes with enough clearance to attach the bracket. If the milled hole and clearance is too small, it may cause irreparable damage to the box.
- Waterproof boxes made of Polycarbonate or ABS plastic material may be damaged if certain types of washing chemicals, solvents, oils, or thread locking adhesives are present on the box. Furthermore, paint not suitable to be used on plastic materials may also cause damage.

IP67 UV-PROTECT NETWORK PLASTIC BOX WP SERIES



Waterproofing ability by using silicone gasket

Highly elastic and durable silicone gasket for high waterproof ability. The use of insert nuts allows the unit to retain its waterproof ability even after multiple opening and closing.



Weather-resistant ASA material

The white gray "G" type utilize a UV resistant, durable ASA material. Recommended for outdoors usage as a communication device type equipment.

Outdoors Use Example

IT Sensor Data Logger for agriculture
Product by Nishimu Electronics Industries Co., Ltd.
Website : nishimu.co.jp/index-e.html



Easy installation on walls and brackets

Easy mounting onto walls and brackets by opening the blind lids. A clean and sleek appearance can be maintained as screws are hidden away by the blind lids.



Easy installation on electrical poles

By using a pole mounting accessory, it can be attached to poles with ease.



How to make buttons and switches waterproof

Utilize a waterproof membrane keypad, membrane switch or overlay.

Note that the waterproof performance will be lost once holes or cutouts for buttons and/or switches drilled/machined on waterproof enclosures.



How to make waterproof buttons and switches

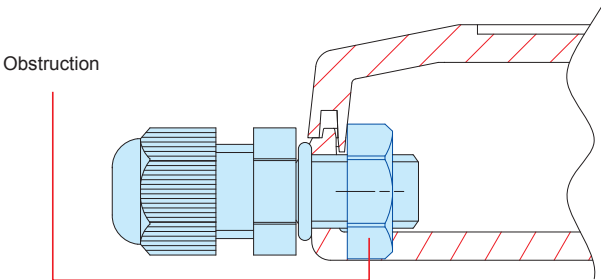
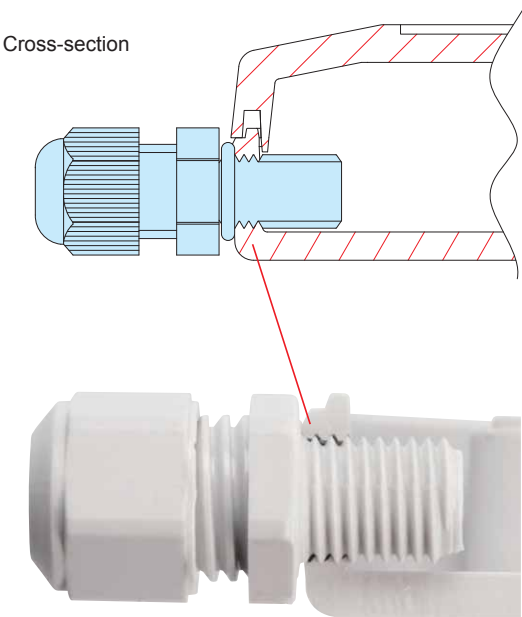
Please utilize a waterproof membrane keypad, membrane switch or overlay.

Note that the waterproof performance will be lost by drilling/milling holes or cutouts for buttons or switches on waterproof enclosures.



Please utilize a waterproof membrane keypad, membrane switch or overlay.

Note that the waterproof performance will be lost by drilling/milling holes or cutouts for buttons or switches on waterproof enclosures.



Thread hole milling from M6 ~ M32 sizes can be drilled as per your requirements.



WP SERIES

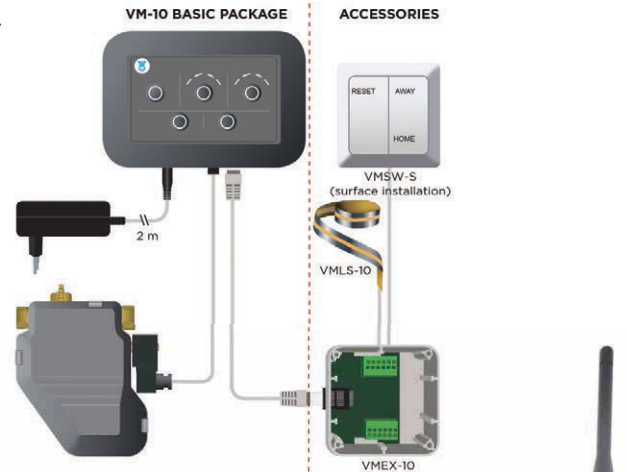
APPLICATION EXAMPLE



LeakLess Monitor - Industrial Pressure/Flow Data Logger



Leak Guard - Home Water Leak Detector



Wireless Temperature/Humidity Transmitter

Product by Masibus Automation And Instrumentation (India)



LoRaWAN Network Air Pressure Sensor



Product by mcf88 (Italy)

Sigfox Remote Surveillance Sensor



Product by SpaceAge Labs (Singapore)

Network Sensor for Agriculture

Product by Demand Side Instruments (France)



Remote Sprinkler Control Unit

Product by Demand Side Instruments (France)



Argonomic Parameter Surveillance Unit LoRa Gateway

Product by
Argotec Engineering (Spain)



Maritime GPS Tracking System

Product by HidnSeek (France)





- IP67 protection class allows the unit to be used outdoors while protecting the internal components from dust and water.
- Available in 2 types : UV-resistant ASA in white gray color, and flame-resistant ABS in charcoal gray color.
- Addition of 8 sizes for a total of 24 different selectable sizes.
- Mount on walls or brackets by simply opening the blind lids.
- Pole mounting is possible via an optional pole mounting bracket accessory.

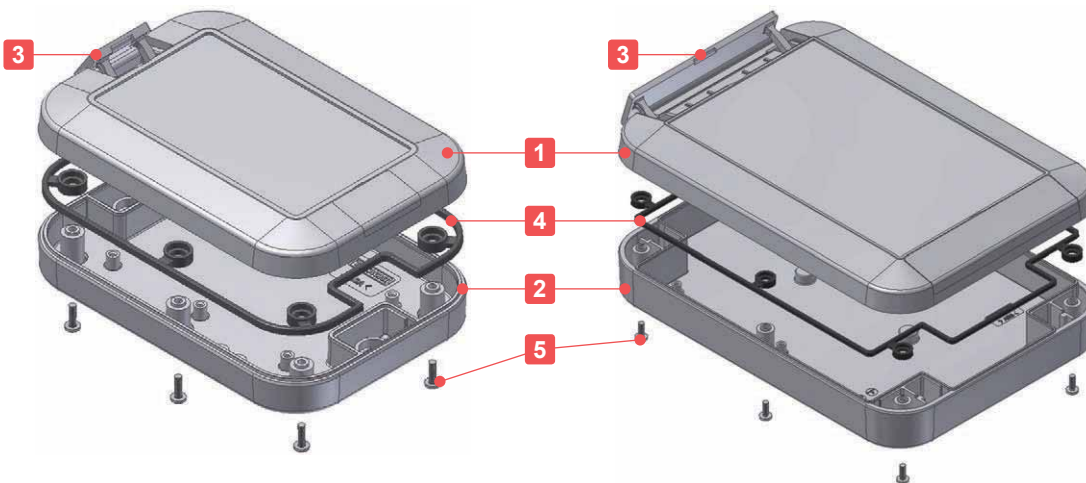


Technical Data	
Protection class :	IP67
Operating temperature :	ASA* -30 ~ +60°C
	ABS -10 ~ +50°C

*May become brittle and break under impact when temperature is lowered close to -30°C.

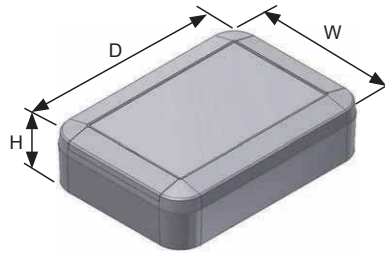
WP5-7-2 ~ WP13-18-5

WP15-15-4 ~ WP20-28-7



Components

No.	Part name	Pcs	Material / Color
1	Top cover	1	ASA UL94HB / White gray : Flame-resistant ABS UL94V-0 / Charcoal gray
2	Bottom base	1	ASA UL94HB / White gray : Flame-resistant ABS UL94V-0 / Charcoal gray
3	Blind lids	2	ASA UL94HB / White gray : Flame-resistant ABS UL94V-0 / Charcoal gray
4	Gasket	1	Silicone / Black
5	Screw	4 ~ 8	Stainless steel binding head screw / Unfinished



Product no. / Dimensions

Product no.		Dimensions			Weight (g)	Screw	Recommended torque (N · m)	
● White gray (ASA)	● Charcoal gray (ABS)	W	D	H			Box Assembling	PCB Mounting
WP 5- 7-2G	WP 5- 7-2C	52	65	18	31.5	M2-8 x 4 pcs	0.2 ~ 0.25	0.12 ~ 0.15
WP 5- 7-3G	WP 5- 7-3C	52	65	27	39.5	M2-8 x 4 pcs	0.2 ~ 0.25	0.12 ~ 0.15
WP 6- 8-2G	WP 6- 8-2C	60	80	20	41.5	M2-8 x 4 pcs	0.25 ~ 0.3	0.12 ~ 0.15
WP 6- 8-3G	WP 6- 8-3C	60	80	30	49	M2-8 x 4 pcs	0.25 ~ 0.3	0.12 ~ 0.15
WP 8- 8-2G	WP 8- 8-2C	75	75	22	57.5	M2.5-8 x 4 pcs	0.25 ~ 0.35	0.12 ~ 0.15
WP 8- 8-4G	WP 8- 8-4C	75	75	35	88.5	M2.5-16 x 4 pcs	0.25 ~ 0.35	0.12 ~ 0.15
WP 8-10-2G	WP 8-10-2C	75	100	22	74	M2.5-8 x 4 pcs	0.25 ~ 0.35	0.12 ~ 0.15
WP 8-10-4G	WP 8-10-4C	75	100	35	95	M2.5-16 x 4 pcs	0.25 ~ 0.35	0.12 ~ 0.15
WP 9-13-3G	WP 9-13-3C	90	130	25	113	M2.5-8 x 6 pcs	0.25 ~ 0.35	0.2 ~ 0.25
WP 9-13-4G	WP 9-13-4C	90	130	40	141	M2.5-16 x 6 pcs	0.25 ~ 0.35	0.2 ~ 0.25
WP10-10-3G	WP10-10-3C	100	100	25	96	M2.5-8 x 4 pcs	0.25 ~ 0.35	0.2 ~ 0.25
WP10-10-4G	WP10-10-4C	100	100	40	121	M2.5-16 x 4 pcs	0.25 ~ 0.35	0.2 ~ 0.25
WP11-15-3G	WP11-15-3C	110	150	27	153	M2.5-8 x 6 pcs	0.25 ~ 0.35	0.2 ~ 0.25
WP11-15-4G	WP11-15-4C	110	150	40	181	M2.5-16 x 6 pcs	0.25 ~ 0.35	0.2 ~ 0.25
WP13-18-3G	WP13-18-3C	130	175	30	225	M2.5-8 x 6 pcs	0.25 ~ 0.35	0.2 ~ 0.25
WP13-18-5G	WP13-18-5C	130	175	45	266	M2.5-16 x 6 pcs	0.25 ~ 0.35	0.2 ~ 0.25
NEW WP15-15-4G	NEW WP15-15-4C	150	150	40	239	M3-8 x 4 pcs	0.35 ~ 0.45	0.2 ~ 0.3
NEW WP15-15-6G	NEW WP15-15-6C	150	150	55	282.5	M3-8 x 4 pcs	0.35 ~ 0.45	0.2 ~ 0.3
NEW WP15-21-4G	NEW WP15-21-4C	150	210	40	323	M3-8 x 6 pcs	0.35 ~ 0.45	0.2 ~ 0.3
NEW WP15-21-6G	NEW WP15-21-6C	150	210	55	367.5	M3-8 x 6 pcs	0.35 ~ 0.45	0.2 ~ 0.3
NEW WP20-20-5G	NEW WP20-20-5C	200	200	45	434	M3-8 x 8 pcs	0.35 ~ 0.45	0.2 ~ 0.3
NEW WP20-20-7G	NEW WP20-20-7C	200	200	65	505	M3-8 x 8 pcs	0.35 ~ 0.45	0.2 ~ 0.3
NEW WP20-28-5G	NEW WP20-28-5C	200	280	45	557.5	M3-8 x 8 pcs	0.35 ~ 0.45	0.2 ~ 0.3
NEW WP20-28-7G	NEW WP20-28-7C	200	280	65	646	M3-8 x 8 pcs	0.35 ~ 0.45	0.2 ~ 0.3

■ Recommended torque listed is for reference only; actual may differ. Assemble after testing torque.

■ G color type shall undergo a revision. Color shall change from "White gray - RAL7035" to "Munsell N8.75 or similar".

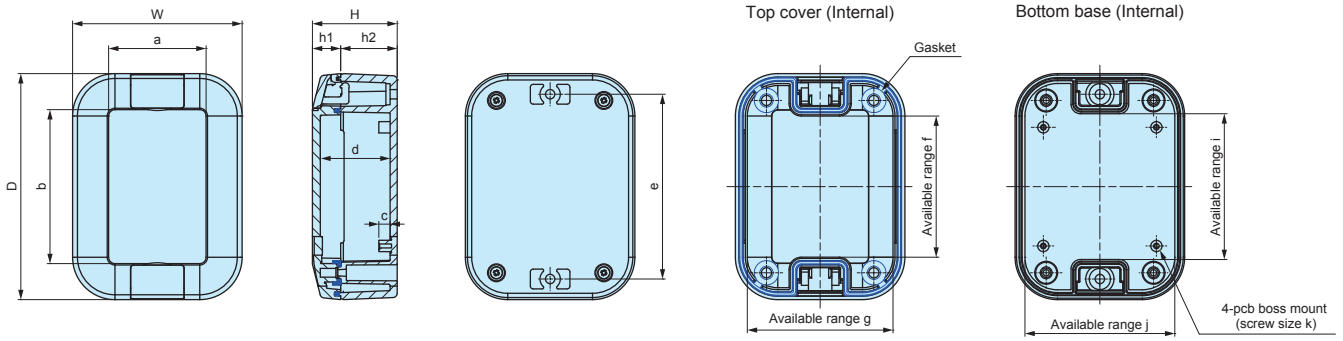


Accessories (Optional parts)



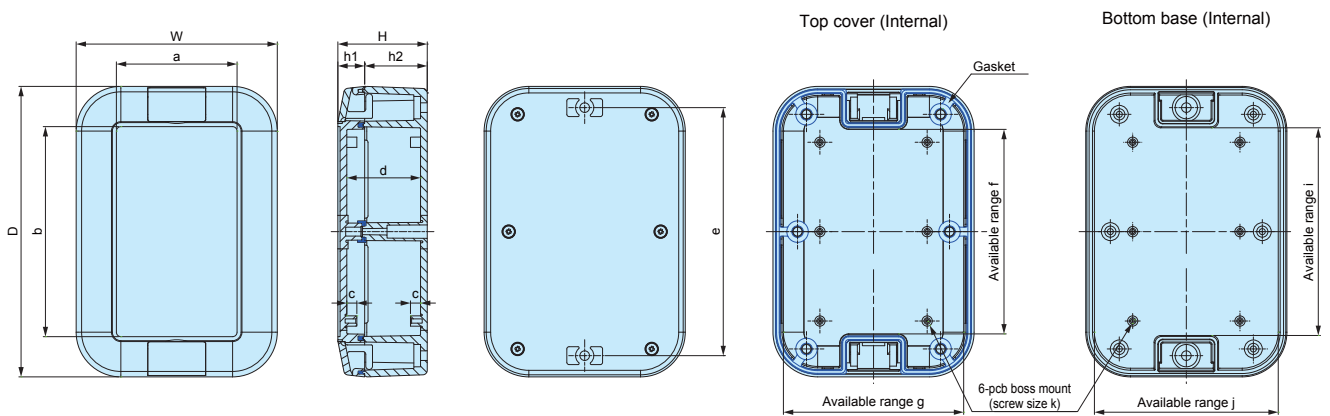
WP dimensions

■ Drawings below are reference examples only.
DXF/DWG/PDF drawings available on our website.

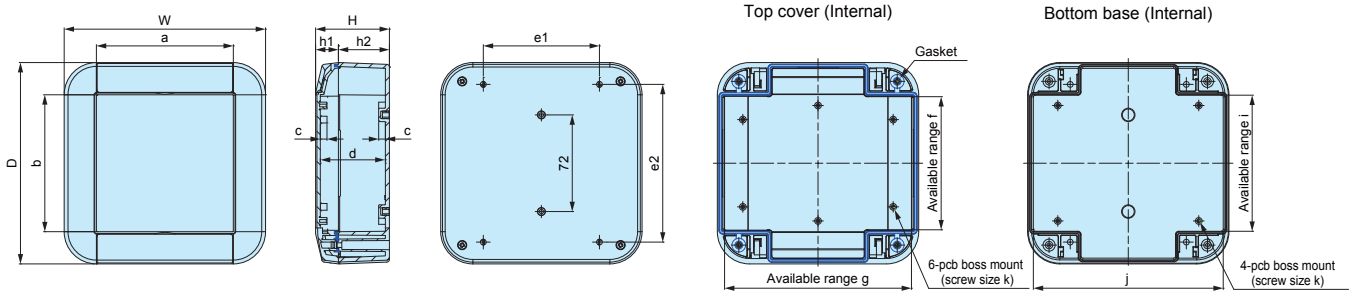


※Boss for PCB are located inside top covers of certain models. Detailed information available on DXF/DWG/PDF drawings.

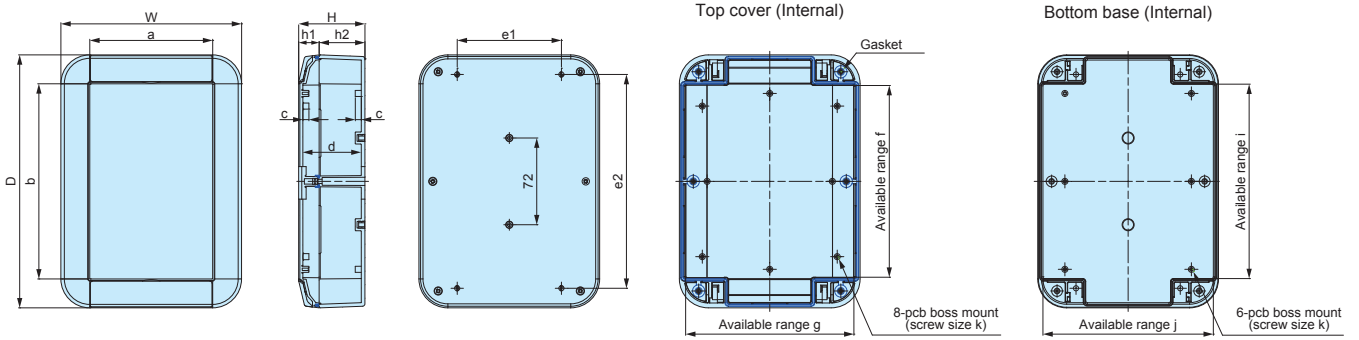
Product no.	W	D	H	h1	h2	a	b	c	d	e	f	g	i	j	k
WP 5- 7-2	52	65	18	10	8	26.5	38.8	4	13	50.6	34.5	43.5	37	46	M2
WP 5- 7-3	52	65	27	10	17	26.5	38.8	4	22	50.8	34.5	43.5	36.5	45	M2
WP 6- 8-2	60	80	20	10	10	34.5	53.8	4	14.7	65.8	50	51.5	52	53.5	M2
WP 6- 8-3	60	80	30	10	20	34.5	53.8	4	24.7	65.4	50	51.5	51	53	M2
WP 8- 8-2	75	75	22	10	12	49.5	48.8	4	16.4	60.6	44	66	42	67	M2
WP 8- 8-4	75	75	35	10	25	49.5	48.8	4	29.4	60.4	43	66	42	66	M2
WP 8-10-2	75	100	22	10	12	46	71	4	16	85.6	69	66	67	67	M2
WP 8-10-4	75	100	35	10	25	46	71	4	29	85.4	69	66	67	66	M2
WP10-10-3	100	100	25	12	13	63.8	63.7	4.5	18	81.2	60	89	61	90	M2.3
WP10-10-4	100	100	40	12	28	63.8	63.7	4.5	33	81	60	89	61	90	M2.3



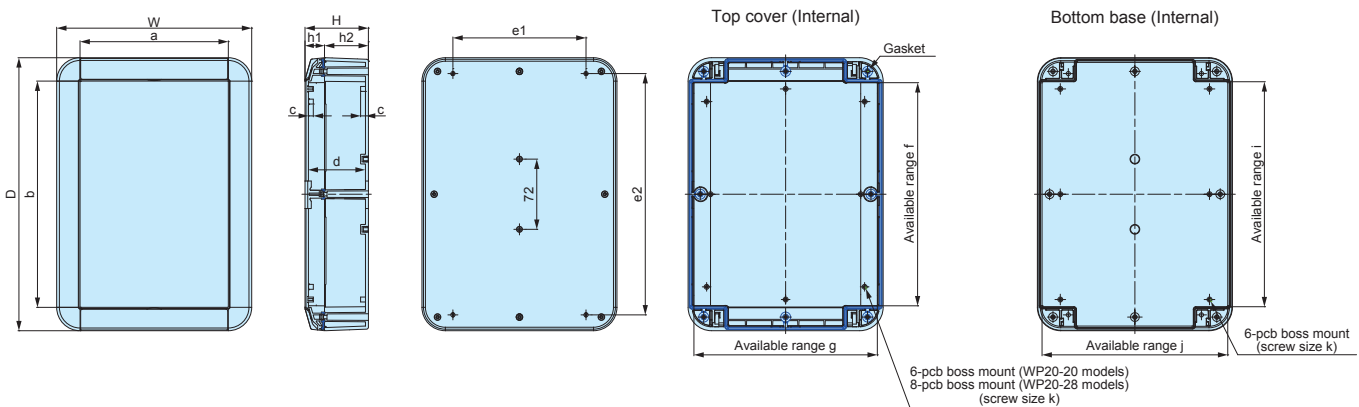
Product no.	W	D	H	h1	h2	a	b	c	d	e	f	g	i	j	k
WP 9-13-3	90	130	25	12	13	53.8	93.7	4.5	18	111.2	90	79	91	81	M2.3
WP 9-13-4	90	130	40	12	28	53.8	93.7	4.5	33	111	90	79	91	81	M2.3
WP11-15-3	110	150	27	12	15	73.7	113.5	4.5	20	131.2	110	99	110	100	M2.3
WP11-15-4	110	150	40	12	28	73.7	113.5	4.5	33	131	110	99	110	100	M2.3
WP13-18-3	130	175	30	12	18	93.8	138.8	4.5	23	156.2	136	120	135	120	M2.3
WP13-18-5	130	175	45	12	33	93.8	138.8	4.5	38	156.2	136	120	135	120	M2.3



Product no.	W	D	H	h1	h2	a	b	c	d	e1	e2	f	g	i	j	k
WP15-15-4	150	150	40	17	23	102	102	5	33.5	86.5	117.5	99	139	100	141	M2.6
WP15-15-6	150	150	55	17	38	102	102	5	48.5	86.5	117.5	99	139	100	140	M2.6



Product no.	W	D	H	h1	h2	a	b	c	d	e1	e2	f	g	i	j	k
WP15-21-4	150	210	40	17	23	102	162	5	33.5	86.5	177.5	159	139	160	141	M2.6
WP15-21-6	150	210	55	17	38	102	162	5	48.5	86.5	177.5	159	139	160	140	M2.6



Product no.	W	D	H	h1	h2	a	b	c	d	e1	e2	f	g	i	j	k
WP20-20-5	200	200	45	20	25	152	152	5	38.5	136.5	167.5	148	187	150	190	M2.6
WP20-20-7	200	200	65	20	45	152	152	5	58.5	136.5	167.5	148	187	149	189	M2.6
WP20-28-5	200	280	45	20	25	152	232	5	38.5	136.5	247.5	227	187	230	190	M2.6
WP20-28-7	200	280	65	20	45	152	232	5	58.5	136.5	247.5	227	187	229	189	M2.6

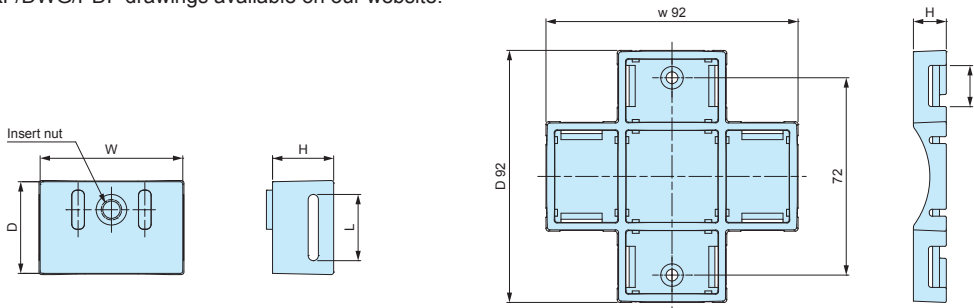
WPMB SERIES

POLE MOUNT BRACKET

← NEW SIZE



- Pole mount bracket made from weather resistant ASA material.
- Hole milling is not required when installing the mount bracket, thus allowing the enclosure to maintain its IP67 protection.
- WPMB-M4-2 can be used both for vertical and horizontal installation.
- Together with WPMB series, the PKB series mounting belt enables the unit to be mounted onto a pole.
- DXF/DWG/PDF drawings available on our website.



Color Type

Code	Color
G	White gray
D	Dark Gray

WPMB-M3 □ WPMB-M4

WPMB-M4-2

Product no. / Dimensions

■ Please suffix color code at the end of the product number.

Product no.	Dimensions				Material / Finish	Screw	Suitable enclosures	Recommended torque (N · m)	Weight (g)	Pack of
	W	D	H	L						
WPMB-M3 □	18	14	9.5	11	ASA UL94HB	Stainless steel M3-6 x 2 pcs	WP5-7-2 • 5-7-3 • 6-8-2 • 6-8-3 • 8-8-2 • 8-8-4 • 8-10-2 • 8-10-4	0.4 ~ 0.45	3	2 (pair)
WPMB-M4 □	28	18	12	13	ASA UL94HB	Stainless steel M4-8 x 2 pcs	WP9-13-3 • 9-13-4 • 10-10-3 • 10-10-4 • 11-15-3 • 11-15-4 • 13-18-3 • 13-18-5	0.45 ~ 0.5	10	2 (pair)
NEW WPMB-M4-2 □	92	92	12	13	ASA UL94HB	Stainless steel M4-6 x 2 pcs	WP15-15-4 • 15-15-6 • 15-21-4 • 15-21-6 • 20-20-5 • 20-20-7 • 20-28-5 • 20-28-7	0.45 ~ 0.5	24	1

■ Recommended torque listed is for reference only; actual may differ. Assemble after testing torque.

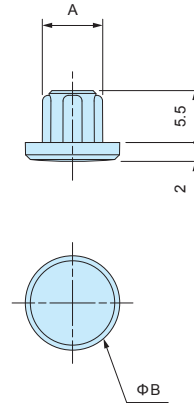
WPMB-M3/WPMB-M4

WPMB-M4-2



PFRF SERIES

RUBBER FEET



- Recommended to be used with WP series as a desktop-type unit.
- No additional hole milling required as the rubber feet fits snugly into the screw holes.
- Made from elastomer material.
- Unavailable for use with WP5-7-2, 5-7-3, 6-8-2, and 6-8-3 models.

Product no. / Dimensions

■ UL94HB

Product no.	Dimensions		Material	Color	Suitable enclosures	Pack of
	A	B				
PFRF-M2.5D	6.4	10	Elastomer UL94HB	Dark gray	WP models: 8-8-2 • 8-8-4 • 8-10-2 • 8-10-4 • 9-13-3 • 9-13-4 • 10-10-3 • 10-10-4 • 11-15-3 • 11-15-4 • 13-18-3 • 13-18-5	4
PFRF-M3D	7.2	11	Elastomer UL94HB	Dark gray	WP models: 15-15-4 • 15-15-6 • 15-21-4 • 15-21-6 • 20-20-5 • 20-20-7 • 20-28-5 • 20-28-7	4

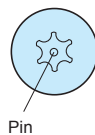
MR SERIES

TORX SCREW for WP

↔ **NEW SIZE**



Head type (with pin)



- Recommended to be used for tamper resistance, or for an elegant look and feel.
- Requires the use of a specialized screwdriver.
- Unavailable for use with WP5-7-2, 5-7-3, 6-8-2, and 6-8-3 models.

Product no. / Dimensions

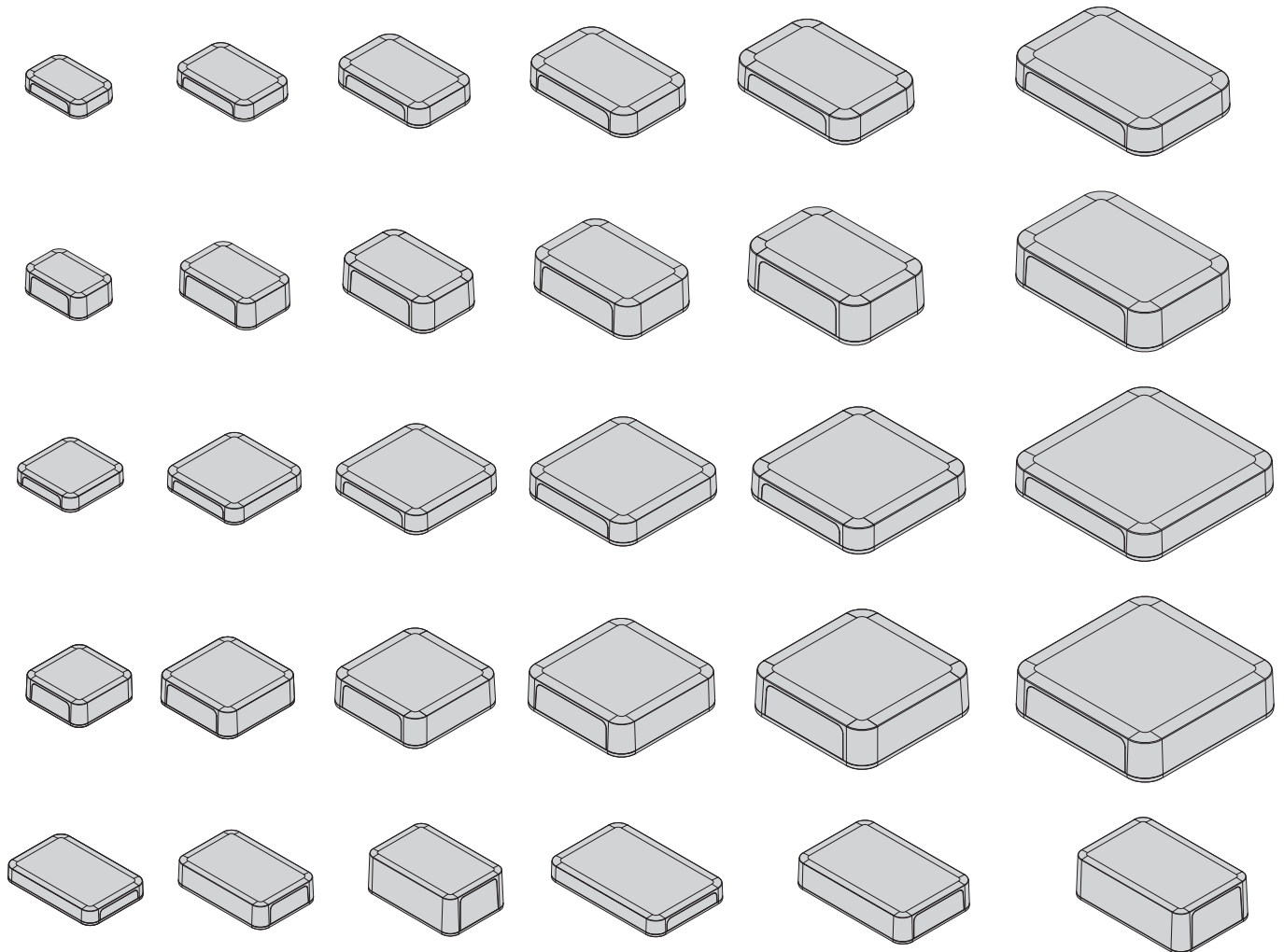
Product no.	Dimensions		TORX head no.	Material	Finish	Suitable enclosures	Pack of
	M	L					
MR2.5-8ST	2.5	8	T 8 (with pin)	Stainless steel	Unfinished	WP8-8-2 • 8-10-2 • 9-13-3 • 10-10-3 • 11-15-3 • 13-18-3 / WSC series	20
MR2.5-16ST	2.5	16	T 8 (with pin)	Stainless steel	Unfinished	WP8-8-4 • 8-10-4 • 9-13-4 • 10-10-4 • 11-15-4 • 13-18-5	20
NEW MR3-8ST	3	8	T10 (with pin)	Stainless steel	Unfinished	WP15-15-4 • 15-15-6 • 15-21-4 • 15-21-6 • 20-20-5 • 20-20-7 • 20-28-5 • 20-28-7	20

PF SERIES FLAT NETWORK CASE

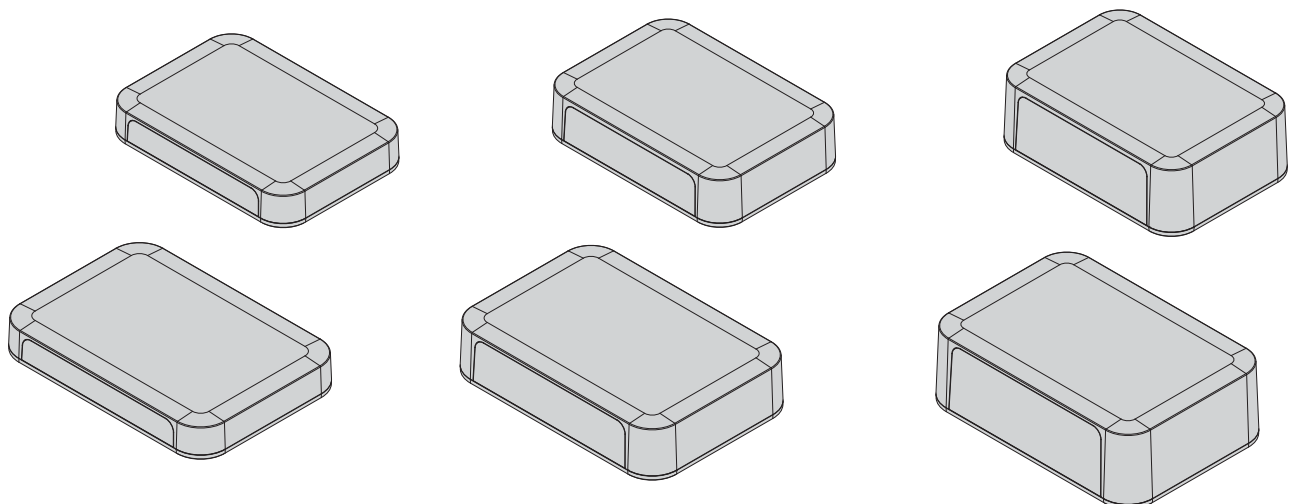
Huge selection, 36 different sizes are now available.

Suitable for IOT device, Data transmitter and receiver, access point.

From 100 x 67 x 22.5 to 320 x 225 x 100mm.



New sizes



APPLICATION EXAMPLE

WiFi Access Point

Product by VNPT Technology (Vietnam)



USB Power Charging Hub + Data Hub

Product by MtT-planning (Japan)



Possible to power charging while transferring data.

USB HEMODYNAMIC RESEARCH DEVICE

Product by Cardiovascular Engineering (USA)



WIRELESS HOME ELECTRONICS CONTROLLER

Product by AR SMART (Colombia)



GSM MODULE

Product by Elmar Electronic (Croatia)



ADVANCED TRIGGER STATION

Product by BrainTrends (Italy)



G4 FLIGHT TRACKER

Product by Guardian Mobility (Canada)



iCONSE-T IOT and SENSOR NETWORK TRAINING SYSTEM

Product by Benchmark Electronic Systems (India)

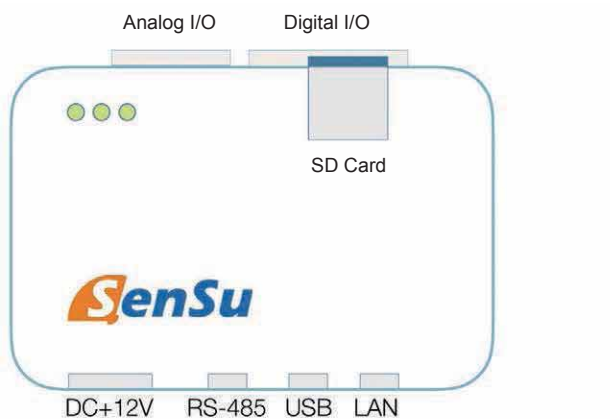


"SenSu" COMMUNICATION UNIT with SENSOR

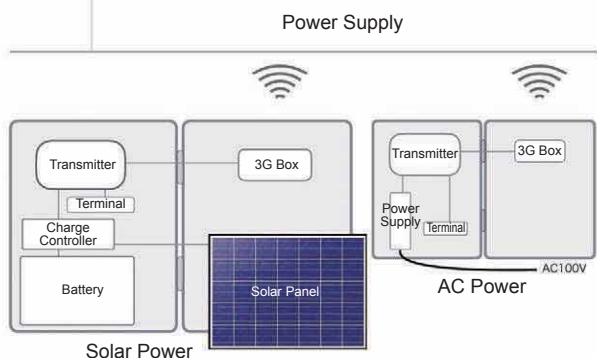
Product by DATA TECHNOLOGY (Japan)



Application Example for Agriculture
Outdoor application with BCPC series Polycarbonate box.



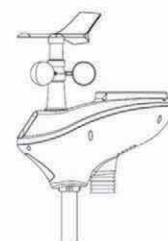
Exclusive Interface



USB



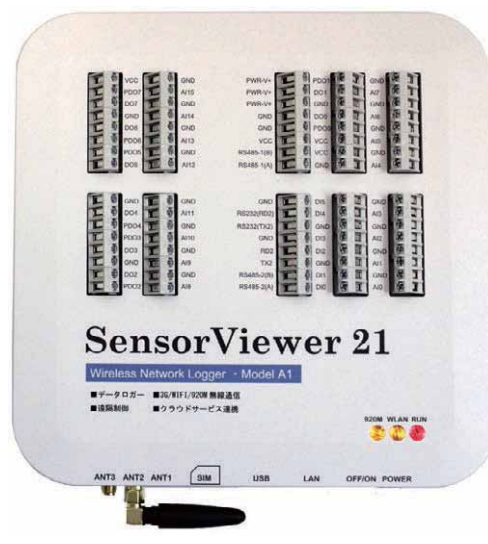
LAN

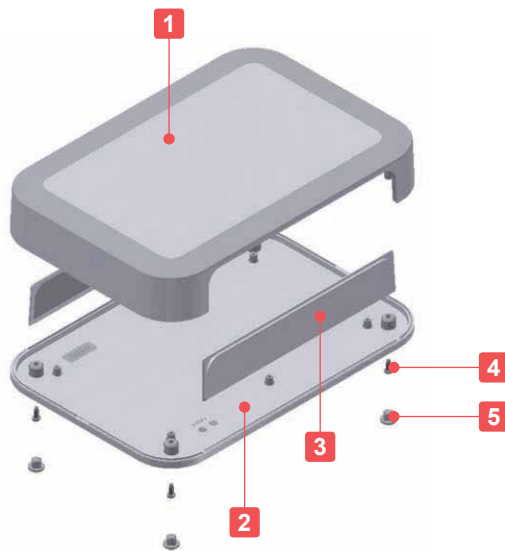


RS-485

WIRELESS NETWORK DATA LOGGER

Product by SensingWinTech (Japan)





Technical Data
Protection class: IP40
Operating temperature: -10°C ~ +60°C

- Flat designed plastic case with detachable panels.
- Made of flame-resistant ABS UL94V-0, and available in off-white and dark gray color.
- 6 new sizes added for a total of 36 different sizes available for selection.
- Equipped with built-in bosses for PCB mounting.
- Suitable for Wi-Fi access point, measuring equipment, controller or various other applications for desktop, wall mounting use and so on.

Components

No.	Part name	Pcs	Material	Color / Finish
1	Top cover	1	ABS UL94V-0	Off-white • Dark gray
2	Bottom base	1	ABS UL94V-0	Off-white • Dark gray
3	Panel	2	ABS UL94V-0	Off-white • Dark gray
4	Self-tapping screw	4	Steel	Nickel plated
5	Rubber feet	4	Elastomer	Dark gray

Accessories (Optional parts)



Tapping standoff TPS series
See page TPS · MT-1



PCB mounting screw EM series
See page EM · MR-1



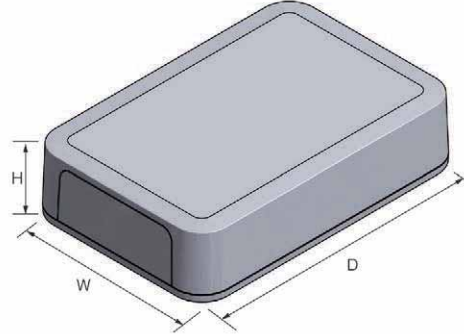
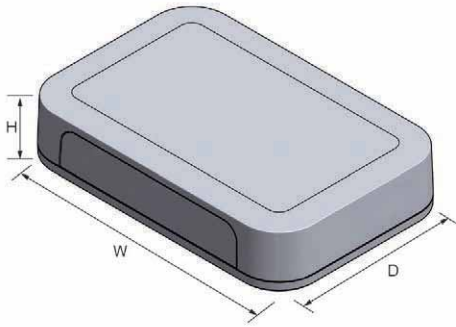
TORX screw MR series
See page EM · MR-1



Suspension bracket WM series
See page WM-1



Neodymium magnet NMG series
See page NMG-1



Tilt leg TLW series
See page TLW-1

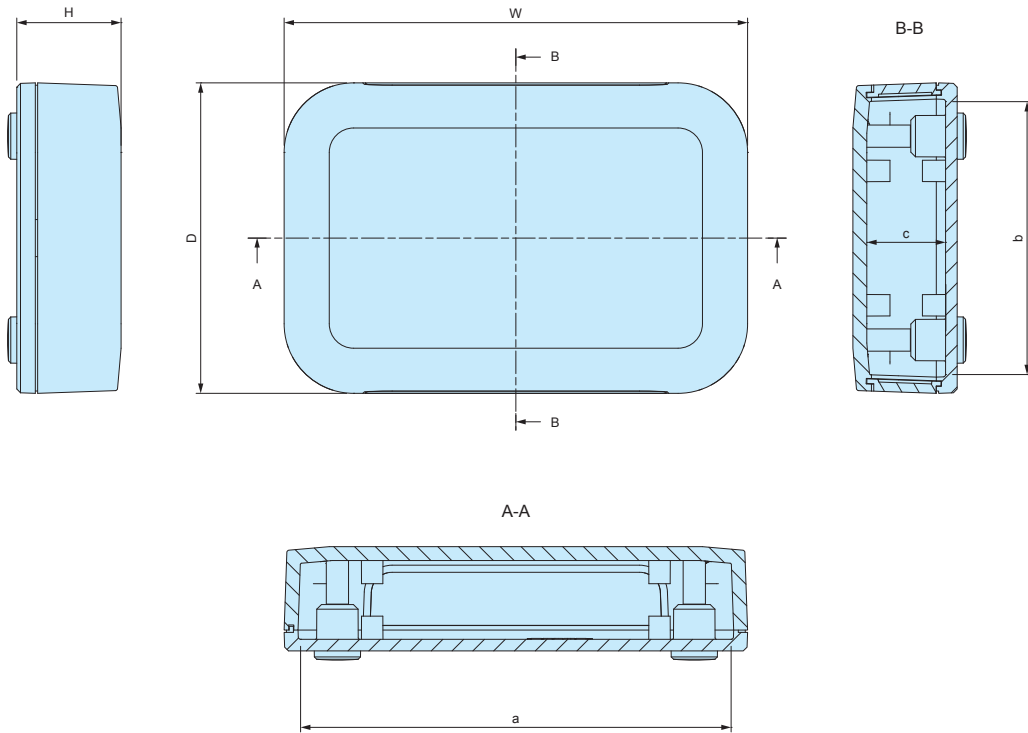
Product no. / Dimensions

※ H dimension is not inclusive of rubber feet. (Rubber feet height = 2mm)

Product no.		Dimensions			Screw	Weight (g)
● Off-white	● Dark gray	W	H	D		
PF10- 2- 7W	PF10- 2- 7D	100	22.5	67	M2.5-8 x 4 pcs	60
PF10- 2-10W	PF10- 2-10D	100	22.5	100	M2.5-8 x 4 pcs	82.9
PF10- 2-15W	PF10- 2-15D	100	22.5	150	M2.5-8 x 4 pcs	120.2
PF10- 4- 7W	PF10- 4- 7D	100	35	67	M2.5-8 x 4 pcs	65
PF10- 4-10W	PF10- 4-10D	100	35	100	M2.5-8 x 4 pcs	97.1
PF10- 4-15W	PF10- 4-15D	100	35	150	M2.5-8 x 4 pcs	132.6
PF10- 6-15W	PF10- 6-15D	100	55	150	M2.5-8 x 4 pcs	169.1
PF13- 3- 9W	PF13- 3- 9D	125	25	85	M2.5-8 x 4 pcs	90.8
PF13- 3-13W	PF13- 3-13D	125	25	125	M2.5-8 x 4 pcs	127.5
PF13- 3-19W	PF13- 3-19D	125	25	190	M2.5-8 x 4 pcs	186.8
PF13- 4- 9W	PF13- 4- 9D	125	40	85	M2.5-8 x 4 pcs	108.4
PF13- 4-13W	PF13- 4-13D	125	40	125	M2.5-8 x 4 pcs	151.4
PF13- 4-19W	PF13- 4-19D	125	40	190	M2.5-8 x 4 pcs	214.9
PF13- 6-19W	PF13- 6-19D	125	60	190	M2.5-8 x 4 pcs	250.4
PF15- 3-10W	PF15- 3-10D	150	30	100	M2.5-8 x 4 pcs	145.5
PF15- 3-15W	PF15- 3-15D	150	30	150	M2.5-8 x 4 pcs	207.5
PF15- 5-10W	PF15- 5-10D	150	45	100	M2.5-8 x 4 pcs	166
PF15- 5-15W	PF15- 5-15D	150	45	150	M2.5-8 x 4 pcs	233.5
PF18- 4-12W	PF18- 4-12D	175	35	120	M2.5-8 x 4 pcs	188.7
PF18- 4-18W	PF18- 4-18D	175	35	175	M2.5-8 x 4 pcs	266.8
PF18- 5-12W	PF18- 5-12D	175	50	120	M2.5-8 x 4 pcs	213.6
PF18- 5-18W	PF18- 5-18D	175	50	175	M2.5-8 x 4 pcs	302.1
PF20- 4-13W	PF20- 4-13D	200	40	135	M3-8 x 4 pcs	264
PF20- 4-20W	PF20- 4-20D	200	40	200	M3-8 x 4 pcs	368.5
PF20- 6-13W	PF20- 6-13D	200	60	135	M3-8 x 4 pcs	302.5
PF20- 6-20W	PF20- 6-20D	200	60	200	M3-8 x 4 pcs	417
PF24- 4-17W	PF24- 4-17D	240	42.5	165	M3-8 x 4 pcs	370.4
PF24- 4-24W	PF24- 4-24D	240	42.5	240	M3-8 x 4 pcs	521.4
PF24- 6-17W	PF24- 6-17D	240	60	165	M3-8 x 4 pcs	408.8
PF24- 6-24W	PF24- 6-24D	240	60	240	M3-8 x 4 pcs	568.7
NEW PF28- 5-20W	NEW PF28- 5-20D	280	45	200	M3-8 x 4 pcs	564.1
NEW PF28- 7-20W	NEW PF28- 7-20D	280	65	200	M3-8 x 4 pcs	618.4
NEW PF28- 9-20W	NEW PF28- 9-20D	280	90	200	M3-8 x 4 pcs	709.2
NEW PF32- 5-23W	NEW PF32- 5-23D	320	45	225	M3-8 x 4 pcs	697.1
NEW PF32- 7-23W	NEW PF32- 7-23D	320	70	225	M3-8 x 4 pcs	782.1
NEW PF32-10-23W	NEW PF32-10-23D	320	100	225	M3-8 x 4 pcs	899.8

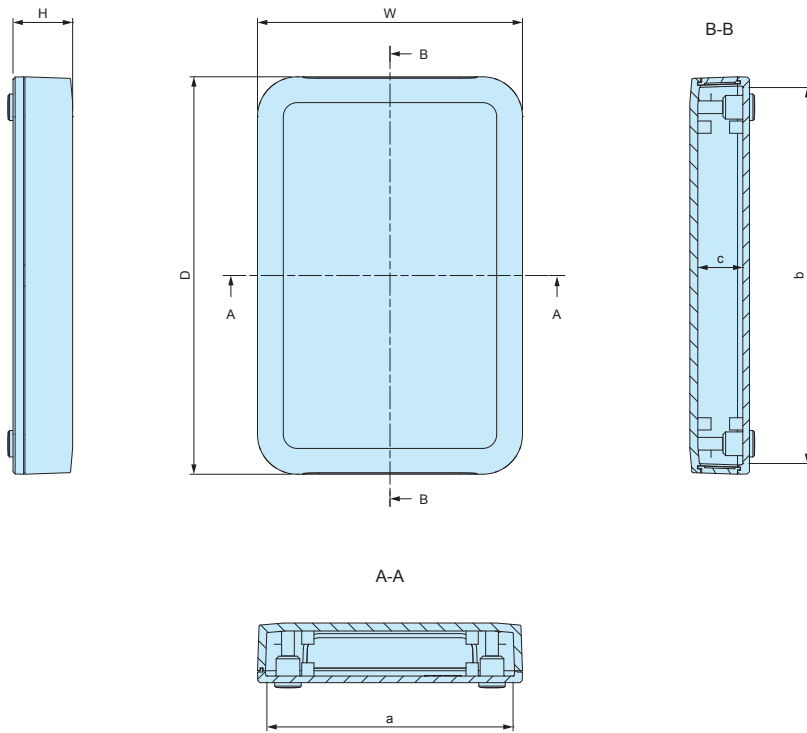
PF dimensions

■ Drawings below are reference examples only.
DXF/DWG/PDF drawings available on our website.



※Refer to DXF/DWG/PDF drawings for the numbers of PCB bosses on each size of enclosures.

Product no.	W	H	D	a	b	c
PF10- 2- 7□	100	22.5	67	92	58	17
PF10- 2-10□	100	22.5	100	92	91	17
PF10- 4- 7□	100	35	67	91	57	29.5
PF10- 4-10□	100	35	100	91	90	29.5
PF13- 3- 9□	125	25	85	117	76	19.5
PF13- 3-13□	125	25	125	117	116	19.5
PF13- 4- 9□	125	40	85	116	75	34.5
PF13- 4-13□	125	40	125	116	115	34.5
PF15- 3-10□	150	30	100	142	90	24
PF15- 3-15□	150	30	150	142	140	24
PF15- 5-10□	150	45	100	141	89	39
PF15- 5-15□	150	45	150	141	139	39
PF18- 4-12□	175	35	120	166	110	29
PF18- 4-18□	175	35	175	166	165	29
PF18- 5-12□	175	50	120	165	109	44
PF18- 5-18□	175	50	175	165	164	44
PF20- 4-13□	200	40	135	191.5	124.5	34
PF20- 4-20□	200	40	200	191.5	189.5	34
PF20- 6-13□	200	60	135	190	123	54
PF20- 6-20□	200	60	200	190	188	54
PF24- 4-17□	240	42.5	165	230	154	36.5
PF24- 4-24□	240	42.5	240	230	229	36.5
PF24- 6-17□	240	60	165	229	153	54
PF24- 6-24□	240	60	240	229	228	54
PF28- 5-20□	280	45	200	269.5	189	38.5
PF28- 7-20□	280	65	200	268.5	187.5	58.5
PF28- 9-20□	280	90	200	266.5	185.5	83.5
PF32- 5-23□	320	45	225	309.5	214	38.5
PF32- 7-23□	320	70	225	308	212	63.5
PF32-10-23□	320	100	225	306	210	93.5

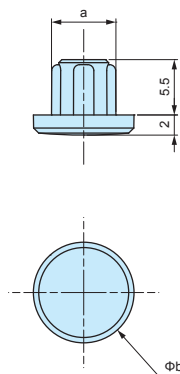


Product no.	W	H	D	a	b	c
PF10-2-15□	100	22.5	150	92	141	17
PF10-4-15□	100	35	150	91	140	29.5
PF10-6-15□	100	55	150	90	139	49.5
PF13-3-19□	125	25	190	117	181	19.5
PF13-4-19□	125	40	190	116	180	34.5
PF13-6-19□	125	60	190	115	179	54.5

PFRF SERIES RUBBER FEET for PF



- Rubber feet for PF series.
- Inserted into the screw holes on the underside of box.
- Elastomer material is resistant against color migration.



Product no. / Dimensions

Product no.	Dimensions		Suitable box	Material	Color	Pack of
	a	b				
PFRF-M2.5D	6.4	10	PF10-2-7,10-2-10,10-2-15,10-4-7,10-4-10,10-4-15 PF10-6-15,13-3-9,13-3-13,13-3-19,13-4-9,13-4-13 PF13-4-19,13-6-19,15-3-10,15-3-15,15-5-10,15-5-15 PF18-4-12,18-4-18,18-5-12,18-5-18	Elastomer	Dark gray	4
PFRF-M3D	7.2	11	PF20-4-13,20-4-20,20-6-13,20-6-20,24-4-17 PF24-4-24,24-6-17,24-6-24,28-5-20,28-7-20 PF28-9-20,32-5-23,32-7-23,32-10-23	Elastomer	Dark gray	4



EMC
Shielding
Effects



- PFE series is an EMC shielded version of the PF series network plastic box coated internally with DOTITE conductive paint (acrylic paint mixed with nickel filler).
- Flat designed plastic case with detachable panels.
- Made of flame-resistant ABS UL94V-0.
- Equipped with built-in bosses for PCB mounting.
- Suitable for Wi-Fi access point, measuring equipment, controller or various other applications for desktop, wall mounting use and so on.

Technical Data

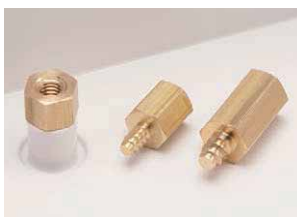
Protection class: IP40
Operating temperature: -10°C ~ +60°C

Included screws
PFE20-4-13 model : M3-8 x 4 pcs
PFE other models : M2.5-8 x 4 pcs

Components

No.	Part name	Pcs	Material	Color / Finish	Conductive paint
1	Top cover	1	ABS UL94V-0	Off-white	DOTITE
2	Bottom base	1	ABS UL94V-0	Off-white	DOTITE
3	Panel	2	ABS UL94V-0	Off-white	DOTITE
4	Self-tapping screw	4	Steel	Nickel plated	—
5	Rubber feet	4	Elastomer	Dark gray	—

Accessories (Optional parts)



Tapping standoff TPS series
See page TPS • MT-1



PCB mounting screw EM series
See page EM • MR-1



TORX screw MR series
See page EM • MR-1



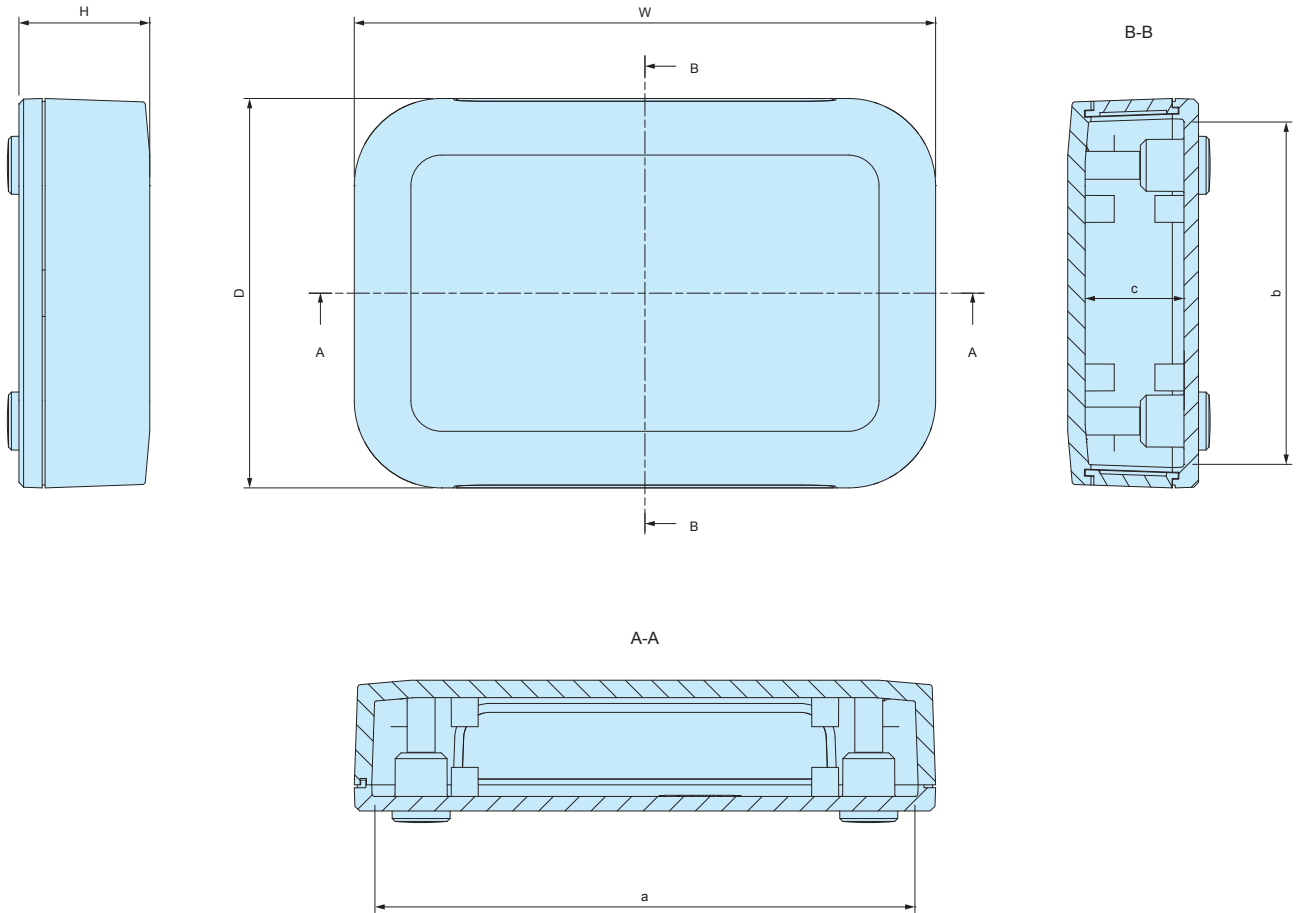
Suspension bracket WM series
See page WM-1



Tilt leg TLW series
See page TLW-1

PFE dimensions

■ Drawings below are reference examples only.
DXF/DWG/PDF drawings available on our website.



※Refer to DXF/DWG/PDF drawings for the numbers of PCB bosses on each size of enclosures.

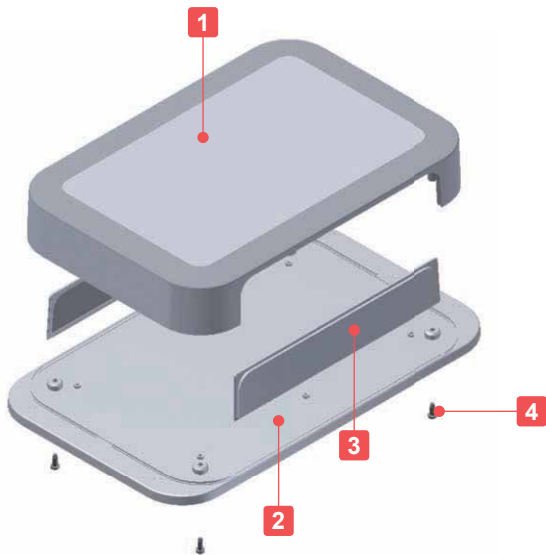
Product no. / Dimensions

Product no.	Dimensions						Screw	Weight (g)
	W	H	D	a	b	c		
NEW PFE13-4-9W	125	40	85	116	75	34.5	M2.5-8 x 4 pcs	114
NEW PFE15-3-10W	150	30	100	142	90	24	M2.5-8 x 4 pcs	152
NEW PFE15-5-15W	150	45	150	141	139	39	M2.5-8 x 4 pcs	244.5
NEW PFE20-4-13W	200	40	135	191.5	124.5	34	M3-8 x 4 pcs	274.5



Technical Data

Protection class: IP40
 Operating temperature: -10°C ~ +60°C



- PF plastic case with wall mounting flange bottom design.
- Made of flame-resistant ABS UL94V-0 and available in off-white color.
- 6 new sizes added for a total of 30 different sizes available for selection.
- Equipped with built-in bosses for PCB mounting.
- Suitable for Wi-Fi access point, wireless LAN, HUB, controller or other applications.

Components

No.	Part name	Pcs	Material	Color / Finish
1	Top cover	1	ABS UL94V-0	Off-white
2	Flanged base	1	ABS UL94V-0	Off-white
3	Panel	2	ABS UL94V-0	Off-white
4	Self-tapping screw	4	Steel	Nickel plated

Accessories (Optional parts)



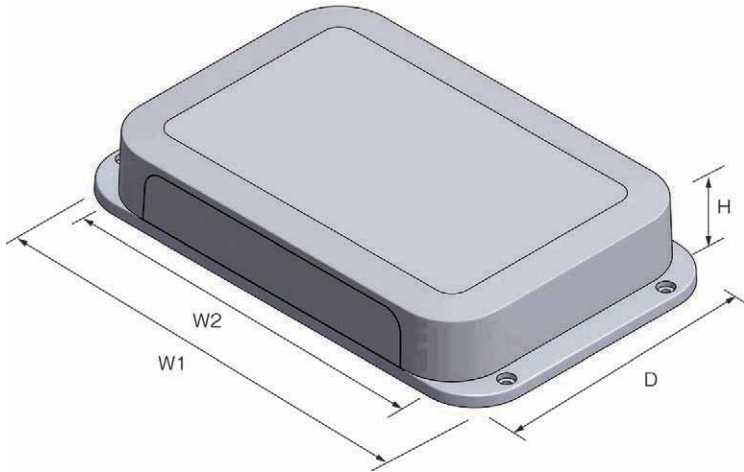
Tapping standoff TPS series
See page TPS · MT-1



PCB mounting screw EM series
See page EM · MR-1



TORX screw MR series
See page EM · MR-1

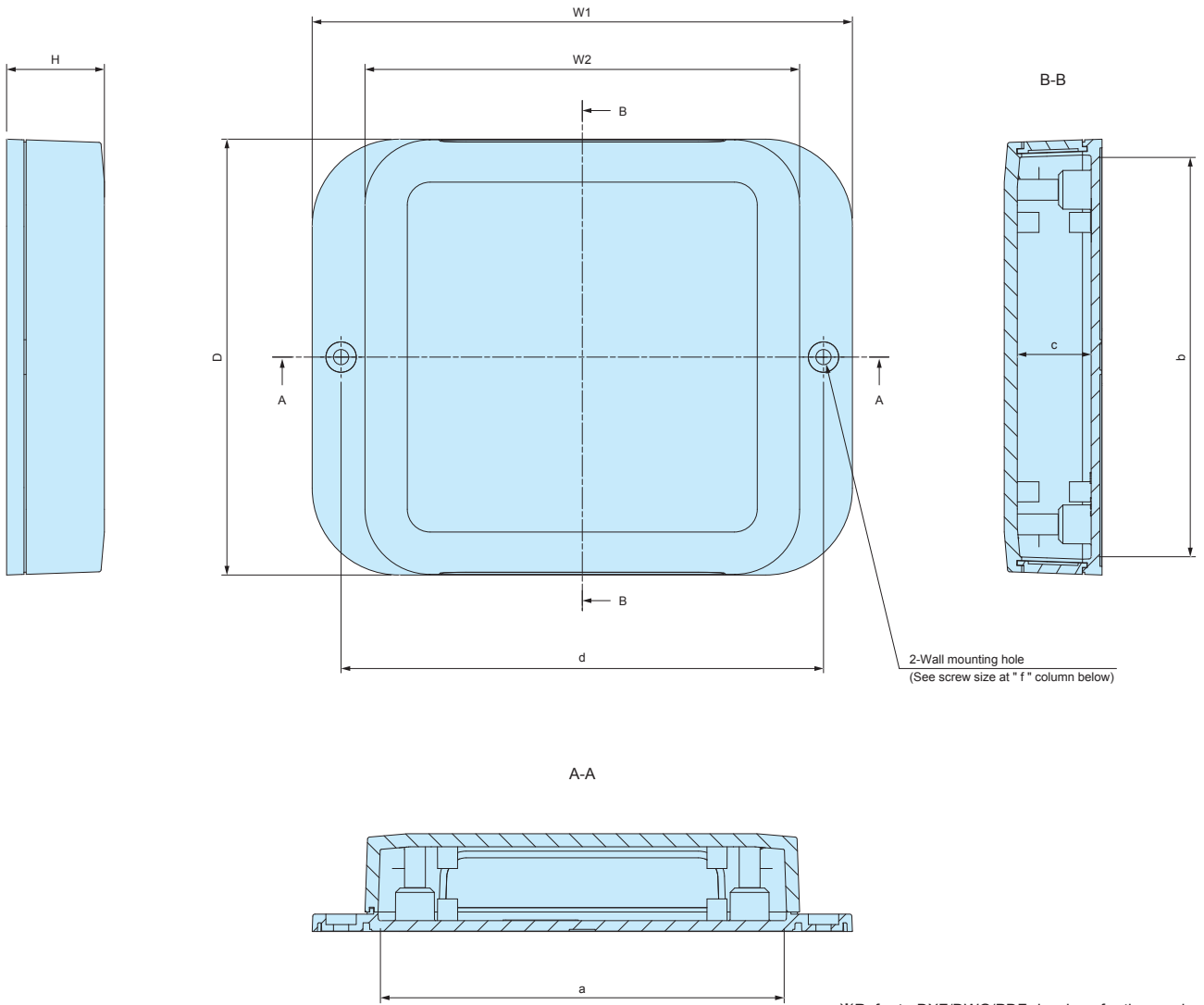


Product no. / Dimensions

Product no.	Dimensions				Screw	Weight (g)	
	● Off-white	W1	W2	H			D
PFF10- 2- 7W		124.3	100	22.5	67.3	M2.5-8 x 4 pcs	60.8
PFF10- 2-10W		124.3	100	22.5	100.3	M2.5-8 x 4 pcs	84.6
PFF10- 4- 7W		124.3	100	35	67.3	M2.5-8 x 4 pcs	72
PFF10- 4-10W		124.3	100	35	100.3	M2.5-8 x 4 pcs	99.1
PFF13- 3- 9W		149.3	125	25	85.3	M2.5-8 x 4 pcs	90.8
PFF13- 3-13W		155.3	125	25	125.3	M2.5-8 x 4 pcs	128.6
PFF13- 4- 9W		149.3	125	40	85.3	M2.5-8 x 4 pcs	108.4
PFF13- 4-13W		155.3	125	40	125.3	M2.5-8 x 4 pcs	152.3
PFF15- 3-10W		180.4	150	30	100.4	M2.5-8 x 4 pcs	145.2
PFF15- 3-15W		180.4	150	30	150.4	M2.5-8 x 4 pcs	211.3
PFF15- 5-10W		180.4	150	45	100.4	M2.5-8 x 4 pcs	168.6
PFF15- 5-15W		180.4	150	45	150.4	M2.5-8 x 4 pcs	235
PFF18- 4-12W		205.4	175	35	120.4	M2.5-8 x 4 pcs	192.1
PFF18- 4-18W		205.4	175	35	175.4	M2.5-8 x 4 pcs	209.8
PFF18- 5-12W		205.4	175	50	120.4	M2.5-8 x 4 pcs	215.8
PFF18- 5-18W		205.4	175	50	175.4	M2.5-8 x 4 pcs	299.7
PFF20- 4-13W		230.5	200	40	135.5	M3-8 x 4 pcs	267.7
PFF20- 4-20W		230.5	200	40	200.5	M3-8 x 4 pcs	376
PFF20- 6-13W		230.5	200	60	135.5	M3-8 x 4 pcs	309.7
PFF20- 6-20W		230.5	200	60	200.5	M3-8 x 4 pcs	422.9
PFF24- 4-17W		270.5	240	42.5	165.5	M3-8 x 4 pcs	366.9
PFF24- 4-24W		270.5	240	42.5	240.5	M3-8 x 4 pcs	513.5
PFF24- 6-17W		270.5	240	60	165.5	M3-8 x 4 pcs	403.8
PFF24- 6-24W		270.5	240	60	240.5	M3-8 x 4 pcs	560.8
NEW PFF28- 5-20W		310.5	280	45	200.5	M3-8 x 4 pcs	547.5
NEW PFF28- 7-20W		310.5	280	65	200.5	M3-8 x 4 pcs	606.6
NEW PFF28- 9-20W		310.5	280	90	200.5	M3-8 x 4 pcs	694.1
NEW PFF32- 5-23W		350.5	320	45	225.5	M3-8 x 4 pcs	679.9
NEW PFF32- 7-23W		350.5	320	70	225.5	M3-8 x 4 pcs	767.4
NEW PFF32-10-23W		350.5	320	100	225.5	M3-8 x 4 pcs	887.4

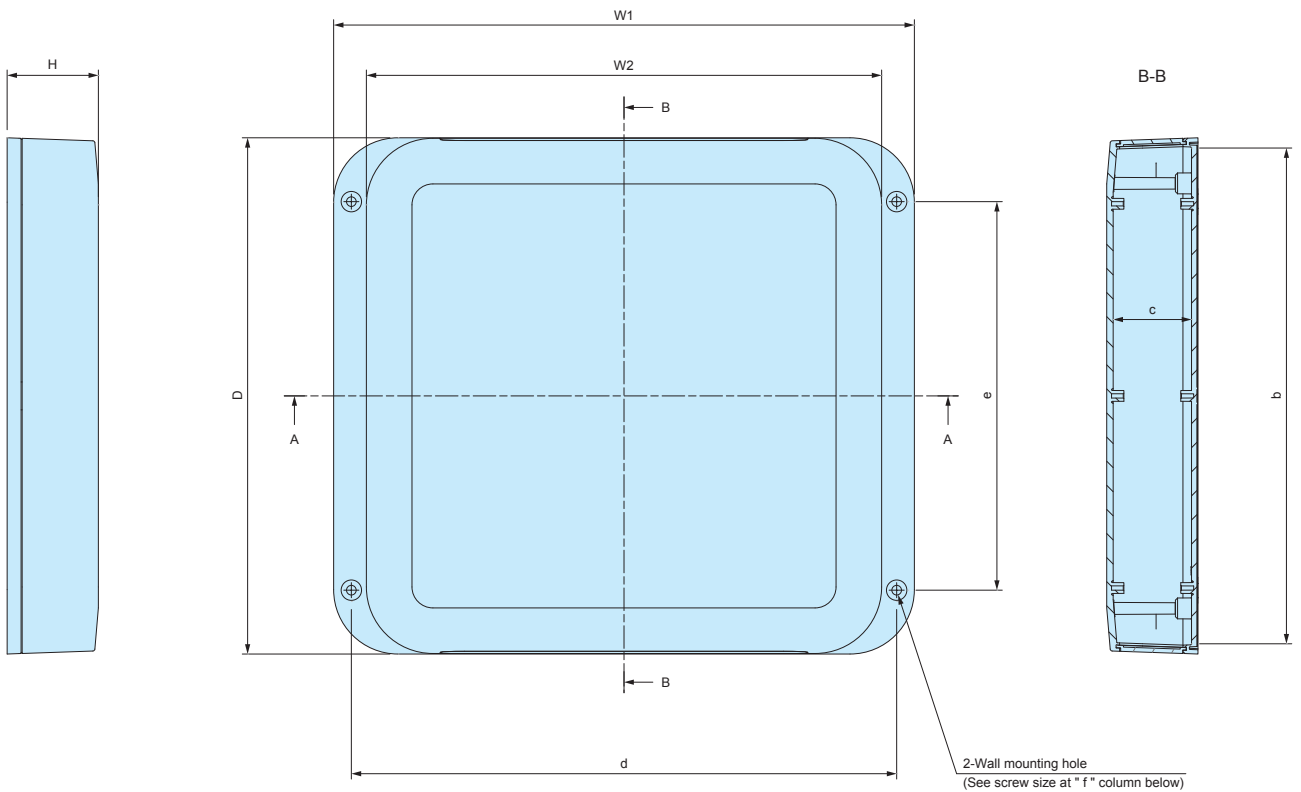
PFF dimensions

■ Drawings below are reference examples only.
DXF/DWG/PDF drawings available on our website.

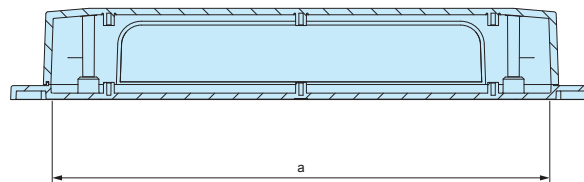


※Refer to DXF/DWG/PDF drawings for the numbers of PCB bosses on each size of enclosures.

Product no.	W1	W2	H	D	a	b	c	d	f
PFF10-2- 7W	124.3	100	22.5	67.3	92	58	17	111	M3
PFF10-2-10W	124.3	100	22.5	100.3	92	91	17	111	M3
PFF10-4- 7W	124.3	100	35	67.3	91	57	29.5	111	M3
PFF10-4-10W	124.3	100	35	100.3	91	90	29.5	111	M3
PFF13-3- 9W	149.3	125	25	85.3	117	76	19.5	136	M3
PFF13-3-13W	155.3	125	25	125.3	117	116	19.5	138.9	M4
PFF13-4- 9W	149.3	125	40	85.3	116	75	34.5	136	M3
PFF13-4-13W	155.3	125	40	125.3	116	115	34.5	138.9	M4
PFF15-3-10W	180.4	150	30	100.4	142	90	24	164	M4
PFF15-3-15W	180.4	150	30	150.4	142	140	24	164	M4
PFF15-5-10W	180.4	150	45	100.4	141	89	39	164	M4
PFF15-5-15W	180.4	150	45	150.4	141	139	39	164	M4
PFF18-4-12W	205.4	175	35	120.4	166	110	29	189	M4
PFF18-5-12W	205.4	175	50	120.4	165	109	44	189	M4
PFF20-4-13W	230.5	200	40	135.5	191.5	124.5	34	214	M4
PFF20-6-13W	230.5	200	60	135.5	190	123	54	214	M4



A-A



※Refer to DXF/DWG/PDF drawings for the numbers of PCB bosses on each size of enclosures.

Product no.	W1	W2	H	D	a	b	c	d	e	f
PFF18- 4-18W	205.4	175	35	175.4	166	165	29	189	130	M4
PFF18- 5-18W	205.4	175	50	175.4	165	164	44	189	130	M4
PFF20- 4-20W	230.5	200	40	200.5	191.5	189.5	34	214	145	M4
PFF20- 6-20W	230.5	200	60	200.5	190	188	54	214	145	M4
PFF24- 4-17W	270.5	240	42.5	165.5	230	154	36.5	254	106	M4
PFF24- 6-17W	270.5	240	60	165.5	229	153	54	254	106	M4
PFF24- 4-24W	270.5	240	42.5	240.5	230	229	36.5	254	181	M4
PFF24- 6-24W	270.5	240	60	240.5	229	228	54	254	181	M4
PFF28- 5-20W	310.5	280	45	200.5	269.5	189	38.5	293.5	137	M4
PFF28- 7-20W	310.5	280	65	200.5	268.5	187.5	58.5	293.5	137	M4
PFF28- 9-20W	310.5	280	90	200.5	266.5	185.5	83.5	293.5	137	M4
PFF32- 5-23W	350.5	320	45	225.5	309.5	214	38.5	333.5	152	M4
PFF32- 7-23W	350.5	320	70	225.5	308	212	63.5	333.5	152	M4
PFF32-10-23W	350.5	320	100	225.5	306	210	93.5	333.5	152	M4

TWF SERIES

PLASTIC ENCLOSURE with WALL MOUNTING FLANGE

Multi-purpose flanged enclosure designed for use as a wall-mounted device/terminal.

23 different sizes in 2 colors available.

Recommended to be used as measurement instruments, wireless communication gadgets, controller devices and so on.

APPLICATION EXAMPLE

SOLAR POWER SYSTEM REMOTE MONITOR

Product by Wave Energy Inc. (Japan)



SOLAR PANEL CHARGE CONTROLLER

Product by SunWorks Inc. (UK)



WIRELESS RFID TAG SEARCH DEVICE

Product by MULTILUX (Slovenia)



RFID TAG

Utilization of TAKACHI PS-65W portable plastic case.



CO₂ SENSOR



TEMPERATURE · HUMIDITY SENSOR



Product by HANERON (Japan)

REMOTE POWER CONTROL UNIT



Product by M.C.S (Japan)

COMMUNICATION CONVERTER

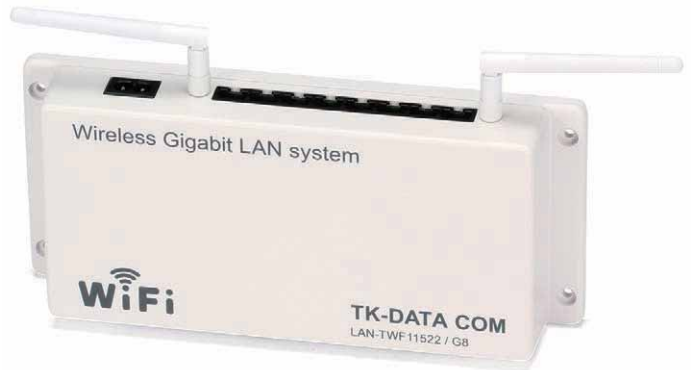


ROOF SPRINKLER CONTROLLER

Product by ES-Waternet (Japan)



WiFi ACCESS POINT



ANALOG CAMERA M2M SOLUTION

Product by ADVALY SYSTEM (Japan)

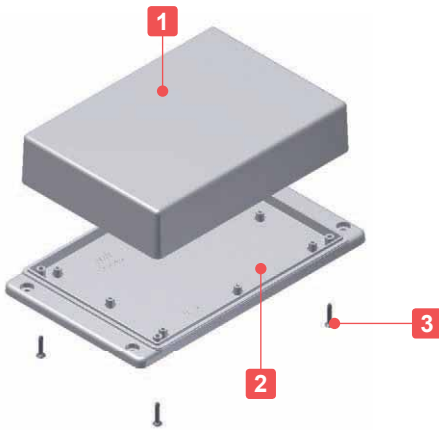


TWF SERIES

PLASTIC ENCLOSURE with WALL MOUNTING FLANGE



Technical Data
Protection class: IP40
Operating temperature: -10°C ~ +60°C



- Multi-purpose flanged enclosure designed for use as a wall-mounted device/terminal.
- 23 different sizes in 2 colors. Made of ABS UL94V-0 : UL94V-1.
- Equipped with screwing bosses for PCB.
- Recommended to be used as measurement instruments, wireless communication gadgets, controller devices and so on.

Components

No.	Part name	Pcs	Material	Color / Finish
1	Cover	1	ABS UL94V-0 : UL94V-1	Off-white • Dark gray
2	Flanged base	1	ABS UL94V-0 : UL94V-1	Off-white • Dark gray
3	Self tapping screw	2/4	Steel	Nickel plated • Black trivalent chromate

Accessories (Optional parts)



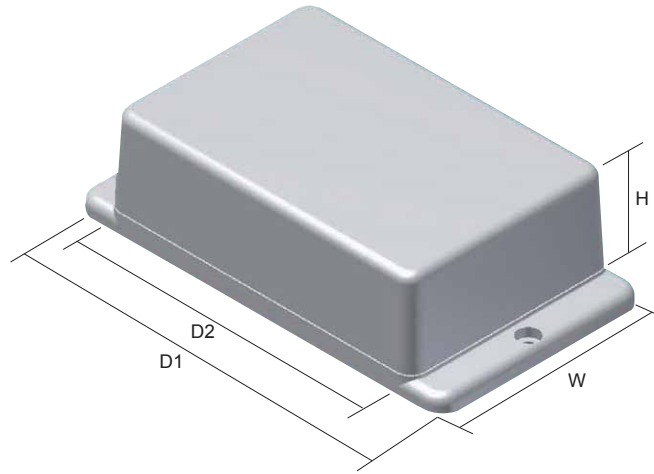
Tapping standoff TPS series
See page TPS • MT-1



PCB mounting screw EM-2.3
See page EM • MR-1



TORX screw MR series
See page EM • MR-1



Color Type

Code	Cover	Flanged base	Screw
W	Off-white	Off-white	Nickel plated
D	Dark gray	Dark gray	Black trivalent chromate

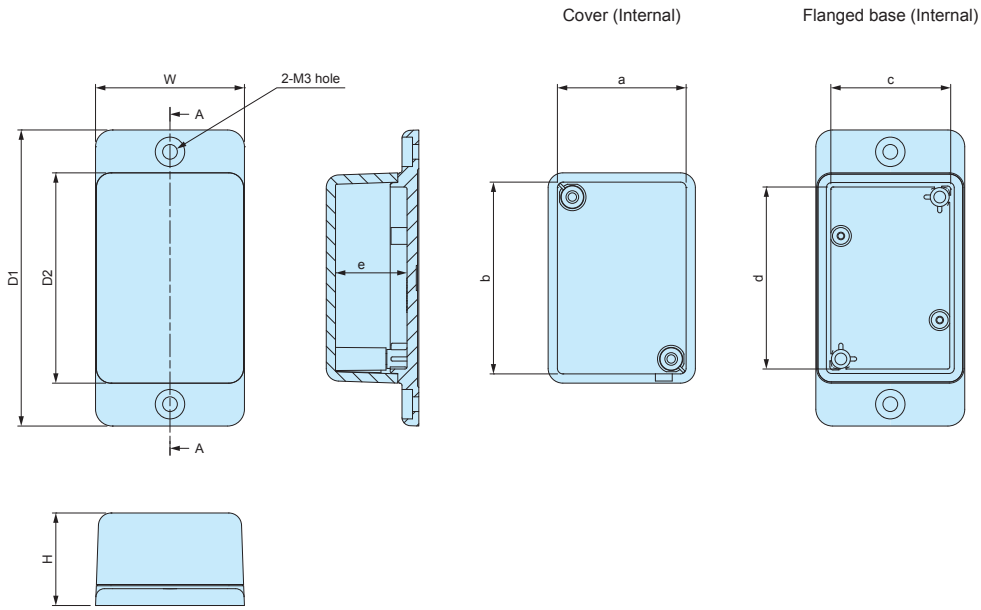
Product no. / Dimensions

Product no.		Dimensions				UL class	Screw	Weight (g)
● Off-white	● Dark gray	W	H	D1 (Flanged base)	D2 (Cover)			
TWF 4-2- 5W	TWF 4-2- 5D	35.4	22	70.4	50	UL94V-0	M 2.6×12 2 pcs	19.7
TWF 5-2- 5W	TWF 5-2- 5D	50.4	17	70.4	50	UL94V-1	M 2.6×12 4 pcs	21.5
TWF 5-2- 7W	TWF 5-2- 7D	50.4	17	90.4	70	UL94V-1	M 2.6×12 4 pcs	29
TWF 5-3- 5W	TWF 5-3- 5D	50.4	27	70.4	50	UL94V-1	M 2.6×12 4 pcs	26.5
TWF 5-3- 7W	TWF 5-3- 7D	50.4	29.5	90.4	70	UL94V-1	M 2.6×12 4 pcs	36
TWF 5-3- 9W	TWF 5-3- 9D	45.6	27.5	111	90	UL94V-1	M 2.6×12 4 pcs	43
TWF 5-4- 7W	TWF 5-4- 7D	50.4	42	90.4	70	UL94V-0	M 2.6×12 4 pcs	43.5
TWF 7-2-11W	TWF 7-2-11D	70.6	20.5	127	105	UL94V-0	M 2.6×14 4 pcs	66.5
TWF 7-3-13W	TWF 7-3-13D	65.5	25.5	150	130	UL94V-0	M 3×16 4 pcs	87
TWF 7-4-11W	TWF 7-4-11D	70.6	35.5	127	105	UL94V-0	M 2.6×14 4 pcs	82
TWF 7-5-11W	TWF 7-5-11D	70.6	50.5	127	105	UL94V-0	M 2.6×14 4 pcs	96.5
TWF 7-5-13W	TWF 7-5-13D	65.5	50	150	130	UL94V-0	M 3×16 4 pcs	114
TWF 8-2- 8W	TWF 8-2- 8D	80.6	23.5	100.6	80	UL94V-0	M 2.6×14 4 pcs	62
TWF 8-4- 8W	TWF 8-4- 8D	80.6	43.5	100.6	80	UL94V-0	M 2.6×14 4 pcs	82
TWF 9-4-17W	TWF 9-4-17D	86	35	190	170	UL94V-0	M 3×16 4 pcs	150
TWF 9-6-17W	TWF 9-6-17D	86	60	190	170	UL94V-0	M 3×16 4 pcs	184
TWF11-5-22W	TWF11-5-22D	110.3	45	250.6	220	UL94V-0	M 3×16 4 pcs	250
TWF11-8-22W	TWF11-8-22D	110.3	75	250.6	220	UL94V-0	M 3×16 4 pcs	303
TWF13-3-13W	TWF13-3-13D	125.6	25	155.6	125	UL94V-0	M 3×16 4 pcs	155
TWF13-3-18W	TWF13-3-18D	125.6	25	205.6	175	UL94V-0	M 3×16 4 pcs	199
TWF13-5-13W	TWF13-5-13D	125.6	45	155.6	125	UL94V-0	M 3×16 4 pcs	189
TWF13-5-18W	TWF13-5-18D	125.6	45	205.6	175	UL94V-0	M 3×16 4 pcs	242
TWF13-7-18W	TWF13-7-18D	125.6	65	205.6	175	UL94V-0	M 3×16 4 pcs	281

TWF dimensions

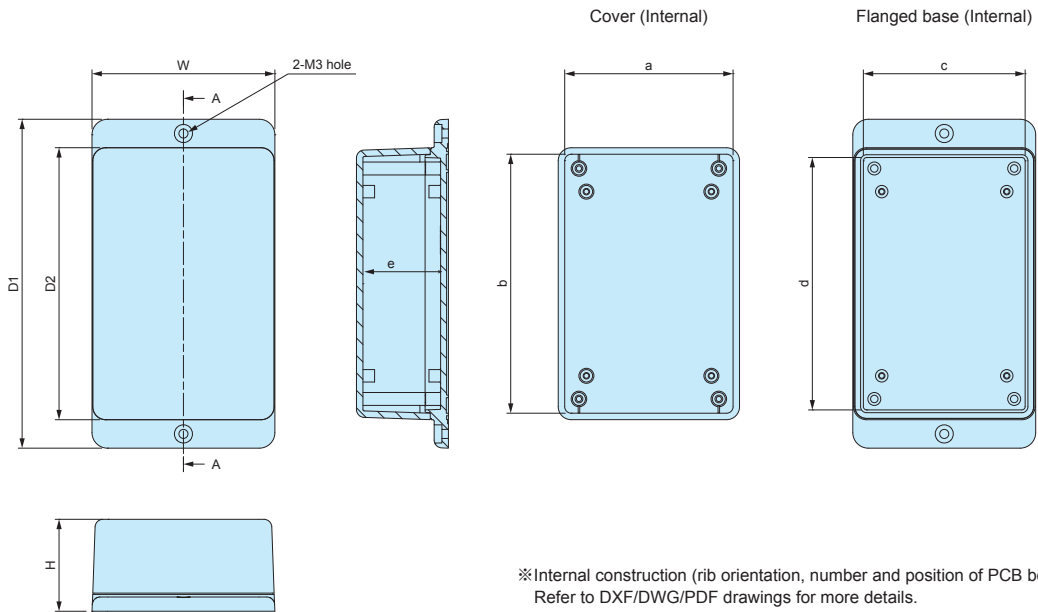
■ Drawings below are reference examples only.
DXF/DWG/PDF drawings available on our website.

TWF4-2-5



Product no.	W	H	D1	D2	a	b	c	d	e
TWF4-2-5□	35.4	22	70.4	50	28.9	43.9	27.2	42.2	17

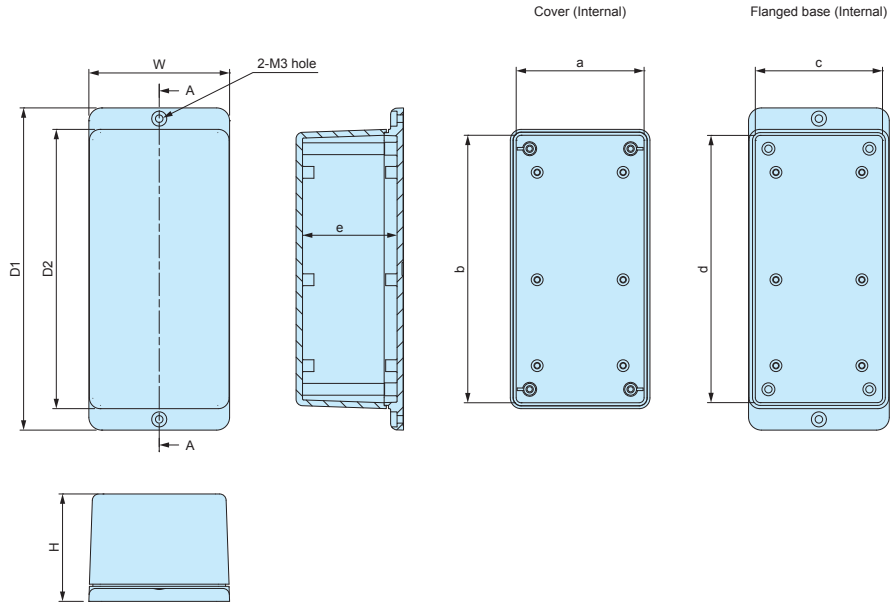
TWF5-2-5 • TWF5-3-5 • TWF5-2-7 • TWF5-3-7 • TWF5-4-7 • TWF5-3-9
TWF7-2-11 • TWF7-4-11 • TWF7-5-11 • TWF8-2-8 • TWF8-4-8



※ Internal construction (rib orientation, number and position of PCB bosses) vary by model.
Refer to DXF/DWG/PDF drawings for more details.

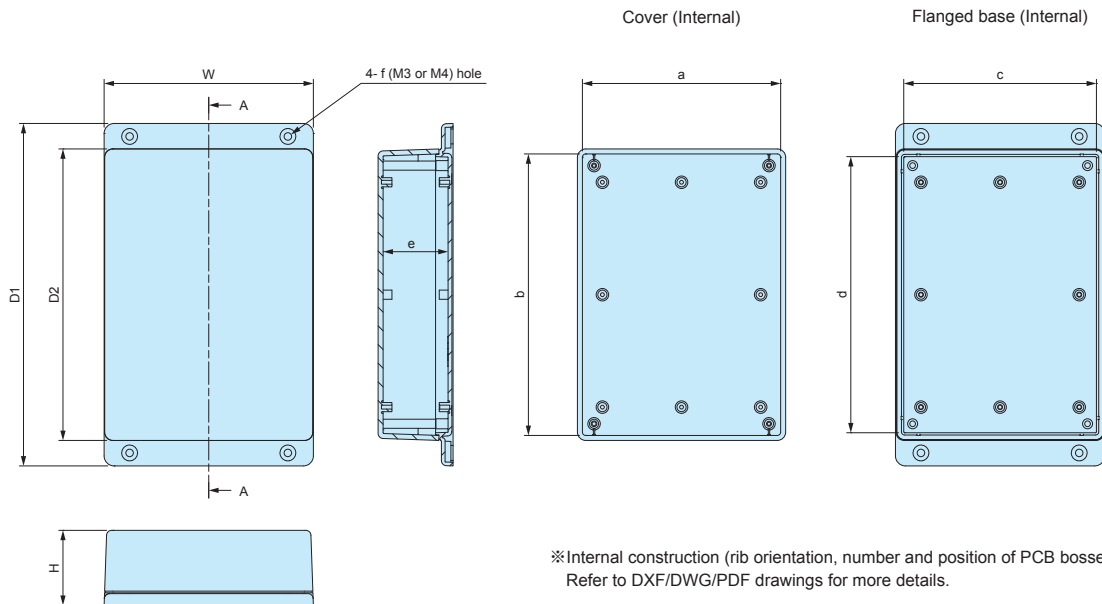
Product no.	W	H	D1	D2	a	b	c	d	e
TWF5-2- 5□	50.4	17	70.4	50	44.3	44.3	42.7	42.7	12
TWF5-3- 5□	50.4	27	70.4	50	43.6	43.6	42.7	42.7	22
TWF5-2- 7□	50.4	17	90.4	70	44.3	64.3	43.1	63.1	12
TWF5-3- 7□	50.4	29.5	90.4	70	43.4	63.4	43.1	63.1	24.5
TWF5-4- 7□	50.4	42	90.4	70	42.5	62.5	43.1	63.1	37
TWF5-3- 9□	45.6	27.5	111	90	37.3	82.3	37.2	82.2	22.5
TWF7-2-11□	70.6	20.5	127	105	63.2	98.2	61.4	96.4	15
TWF7-4-11□	70.6	35.5	127	105	62.2	97.2	61.4	96.4	30
TWF7-5-11□	70.6	50.5	127	105	61.1	96.1	61.4	96.4	45
TWF8-2- 8□	80.6	23.5	100.6	80	73	73	71.5	71.5	18
TWF8-4- 8□	80.6	43.5	100.6	80	71.6	71.6	71.5	71.5	38

TWF7-3-13
TWF7-5-13



Product no.	W	H	D1	D2	a	b	c	d	e
TWF7-3-13□	65.5	25.5	150	130	57.7	122.7	59.2	124.4	19.5
TWF7-5-13□	65.5	50	150	130	55.9	120.9	59.2	124.4	44

TWF9-4-17 • TWF9-6-17 • TWF11-5-22 • TWF11-8-22
TWF13-3-13 • TWF13-5-13 • TWF13-3-18 • TWF13-5-18 • TWF13-7-18

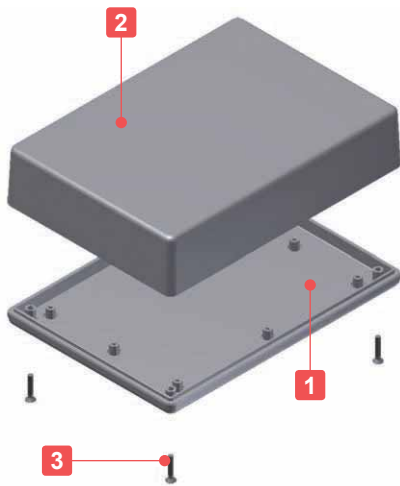


※Internal construction (rib orientation, number and position of PCB bosses) vary by model.
Refer to DXF/DWG/PDF drawings for more details.

Product no.	W	H	D1	D2	a	b	c	d	e	f
TWF 9-4-17□	86	35	190	170	77.1	162	78.2	162.7	29	M3
TWF 9-6-17□	86	60	190	170	75.7	160.2	78.2	162.7	54	M3
TWF11-5-22□	110.3	45	250.6	220	101.4	211.4	103	213	39	M4
TWF11-8-22□	110.3	75	250.6	220	99.3	209.3	103	213	69	M4
TWF13-3-13□	125.6	25	155.6	125	117.2	117.2	114.5	114.5	19	M4
TWF13-5-13□	125.6	45	155.6	125	115.8	115.8	114.5	114.5	39	M4
TWF13-3-18□	125.6	25	205.6	175	117	167	114.5	164.6	19	M4
TWF13-5-18□	125.6	45	205.6	175	115.6	165.6	114.5	164.6	39	M4
TWF13-7-18□	125.6	65	205.6	175	114.2	164.2	114.5	164.6	59	M4

Technical Data

Protection class: IP40
 Operating temperature: -10°C ~ +60°C



- Universal plastic enclosure with screw fastening.
- Selectable in 26 sizes in 3 colors ; Light gray, Black and Off-white.
- Suitable for measuring instruments, testing devices, wireless communication devices, medical devices, and so on.

Components

No.	Part name	Pcs	Material : Color / Finish
1	Cover	1	TW : ABS UL94HB / Light gray • Black
			TWN : ABS UL94V-1 • UL94V-0 / Off-white
2	Bottom base	1	TW : ABS UL94HB / Light gray • Black
			TWN : ABS UL94V-1 • UL94V-0 / Off-white
3	Self tapping screw	2/4	TW : Steel / Trivalent chromate • Black trivalent chromate
			TWN : Steel / Nickel plated

APPLICATION EXAMPLE

Accessories (Optional parts)



Silicone band SIB series
See page SIB-1



Suspension bracket WM series
See page WM-1



Neodymium magnet NMG series
See page NMG-1



SERIAL FLASH PROGRAMMER

Product by Minato Holdings (Japan)



Snap-in battery box LD • LDN series
See page LD • LDN-1 ~ LD • LDN-2



PCB mounting screw EM-2.3
See page EM• MR-1



Tapping standoff TPS series
See page TPS• MT-1

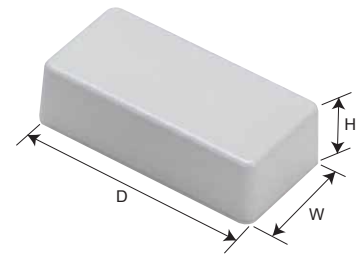


SURGE PROTECTION DEVICE CHECKER

Product by OTOWA Electric (Japan)

Color Type

Series	Code	Top cover	Bottom cover	Screw
TW	G	Light gray	Light gray	Trivalent chromate
	B	Black	Black	Black trivalent chromate
TWN	W	Off-white	Off-white	Nickel plated



TW series (ABS UL94HB)

Product no. / Dimensions

Product no.		Dimensions			Screw	Weight (g)
● Light gray	● Black	W	H	D		
TW 4-2- 5G	TW 4-2- 5B	35	20	50	M2.6-12 × 2 pcs	13.5
TW 4-2- 6G	TW 4-2- 6B	35	20	60	M2.6-12 × 2 pcs	15.5
TW 4-2- 8G	TW 4-2- 8B	40.3	20	80.3	M2.6-12 × 2 pcs	22
TW 5-2- 5G	TW 5-2- 5B	50	15	50	M2.6-12 × 4 pcs	18
TW 5-3- 5G	TW 5-3- 5B	50	25	50	M2.6-12 × 4 pcs	22
TW 5-2- 7G	TW 5-2- 7B	50	15	70	M2.6-12 × 4 pcs	22
TW 5-3- 7G	TW 5-3- 7B	50	27.5	70	M2.6-12 × 4 pcs	29
TW 5-4- 7G	TW 5-4- 7B	50	40	70	M2.6-12 × 4 pcs	35
TW 5-3- 9G	TW 5-3- 9B	45	25	90	M3-12 × 4 pcs	30.5
TW 5-3-10G	TW 5-3-10B	50	30	100	M3-12 × 4 pcs	45.5
TW 7-2-11G	TW 7-2-11B	70	20	105	M2.6-14 × 4 pcs	56.5
TW 7-4-11G	TW 7-4-11B	70	35	105	M2.6-14 × 4 pcs	70
TW 7-5-11G	TW 7-5-11B	70	50	105	M2.6-14 × 4 pcs	83
TW 7-3-13G	TW 7-3-13B	65	25.6	130	M3-16 × 4 pcs	76
TW 7-5-13G	TW 7-5-13B	65	50.1	130	M3-16 × 4 pcs	100
TW 8-2- 8G	TW 8-2- 8B	80	20	80	M2.6-12 × 4 pcs	49
TW 8-4- 8G	TW 8-4- 8B	80	40	80	M2.6-12 × 4 pcs	65
TW 9-4-17G	TW 9-4-17B	85.5	35.5	170	M3-16 × 4 pcs	133
TW 9-6-17G	TW 9-6-17B	85.5	60.5	170	M3-16 × 4 pcs	168
TW11-5-22G	TW11-5-22B	110	45.3	220	M3-16 × 4 pcs	223
TW11-8-22G	TW11-8-22B	110	75.3	220	M3-16 × 4 pcs	277
TW13-3-13G	TW13-3-13B	125	25	125	M3-16 × 4 pcs	135
TW13-5-13G	TW13-5-13B	125	45	125	M3-16 × 4 pcs	165.5
TW13-3-18G	TW13-3-18B	125	25	175	M3-16 × 4 pcs	184.5
TW13-5-18G	TW13-5-18B	125	45	175	M3-16 × 4 pcs	218
TW13-7-18G	TW13-7-18B	125	65	175	M3-16 × 4 pcs	254

TWN series (ABS UL94V-1 • UL94V-0)

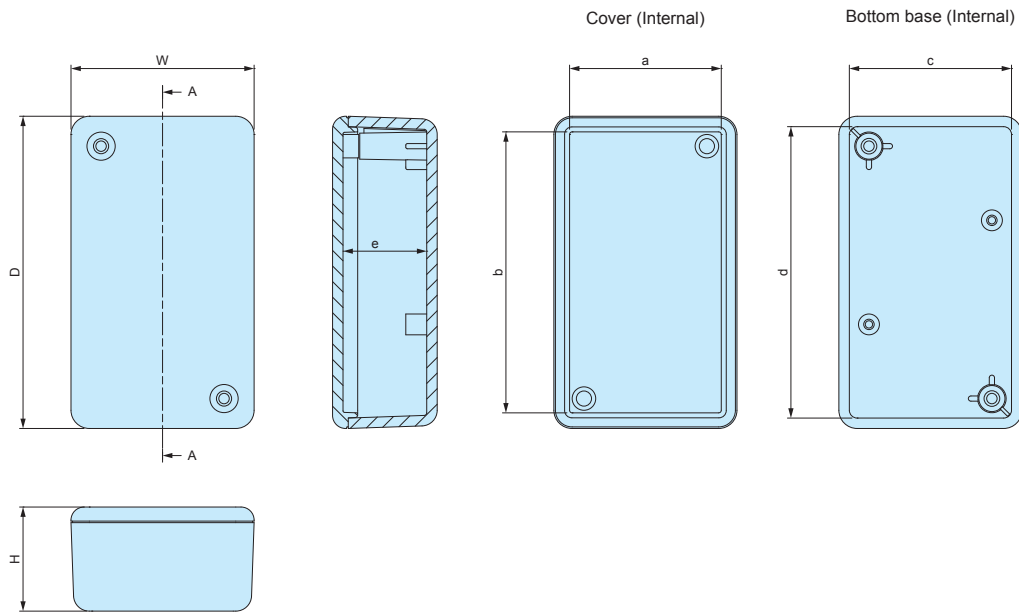
Product no. / Dimensions

Product no.	W	H	D	Screw	UL class	Weight (g)
TWN 4-2- 5W	35	20	50	M2.6-12 × 2 pcs	UL94V-1	16.5
TWN 4-2- 6W	35	20	60	M2.6-12 × 2 pcs	UL94V-1	18
TWN 4-2- 8W	40.3	20	80.3	M2.6-12 × 2 pcs	UL94V-1	26
TWN 5-2- 7W	50	15	70	M2.6-12 × 4 pcs	UL94V-1	24.5
TWN 5-3- 7W	50	27.5	70	M2.6-12 × 4 pcs	UL94V-1	33
TWN 5-4- 7W	50	40	70	M2.6-12 × 4 pcs	UL94V-1	39.5
TWN 5-3- 9W	45	25	90	M3-16 × 4 pcs	UL94V-1	35
TWN 7-2-11W	70	20	105	M2.6-14 × 4 pcs	UL94V-0	64.5
TWN 7-4-11W	70	35	105	M2.6-14 × 4 pcs	UL94V-0	80
TWN 7-5-11W	70	50	105	M2.6-14 × 4 pcs	UL94V-0	94.5
TWN 7-3-13W	65	25.6	130	M3-16 × 4 pcs	UL94V-0	85
TWN 7-5-13W	65	50.1	130	M3-16 × 4 pcs	UL94V-0	115.5
TWN 8-2- 8W	80	20	80	M2.6-12 × 4 pcs	UL94V-0	55.5
TWN 8-4- 8W	80	40	80	M2.6-12 × 4 pcs	UL94V-0	75
TWN 9-4-17W	85.5	35.5	170	M3-16 × 4 pcs	UL94V-0	151
TWN 9-6-17W	85.5	60.5	170	M3-16 × 4 pcs	UL94V-0	191
TWN11-5-22W	110	45.3	220	M3-16 × 4 pcs	UL94V-0	254
TWN11-8-22W	110	75.3	220	M3-16 × 4 pcs	UL94V-0	316
TWN13-3-13W	125	25	125	M3-16 × 4 pcs	UL94V-0	156.5
TWN13-5-13W	125	45	125	M3-16 × 4 pcs	UL94V-0	190
TWN13-3-18W	125	25	175	M3-16 × 4 pcs	UL94V-0	206.5
TWN13-5-18W	125	45	175	M3-16 × 4 pcs	UL94V-0	249
TWN13-7-18W	125	65	175	M3-16 × 4 pcs	UL94V-0	290.5

TW / TWN • TWS dimensions

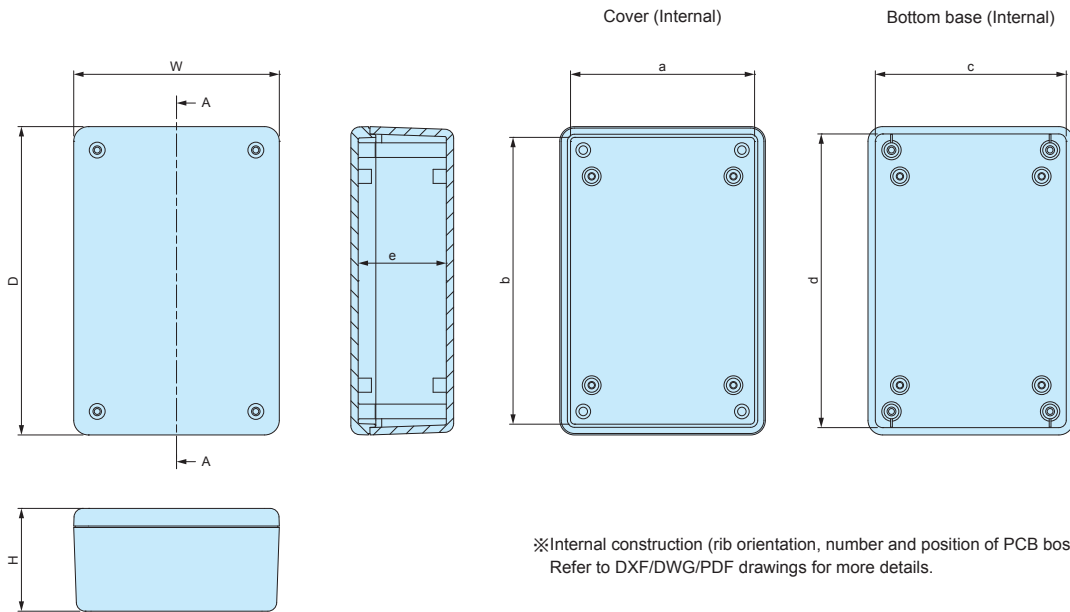
■ Drawings below are reference examples only.
DXF/DWG/PDF drawings available on our website.

TW / TWN4-2-5 • TW / TWN4-2-6 • TW / TWN4-2-8



Product no.	W	H	D	a	b	c	d	e
TW • TWN4-2-5□	35	20	50	28.2	43.2	28.9	43.9	16
TW • TWN4-2-6□	35	20	60	28.2	53.2	28.9	53.9	16
TW • TWN4-2-8□	40.3	20	80.3	33.5	73.5	34.2	74.2	16

TW5-2-5 • TW5-3-5 • TW / TWN5-2-7 • TW / TWN5-3-7 • TW / TWN5-4-7
TW / TWN7-2-11 • TW / TWN7-4-11 • TW / TWN7-5-11 • TW / TWN8-2-8 • TW / TWN8-4-8



※Internal construction (rib orientation, number and position of PCB bosses) vary by model.
Refer to DXF/DWG/PDF drawings for more details.

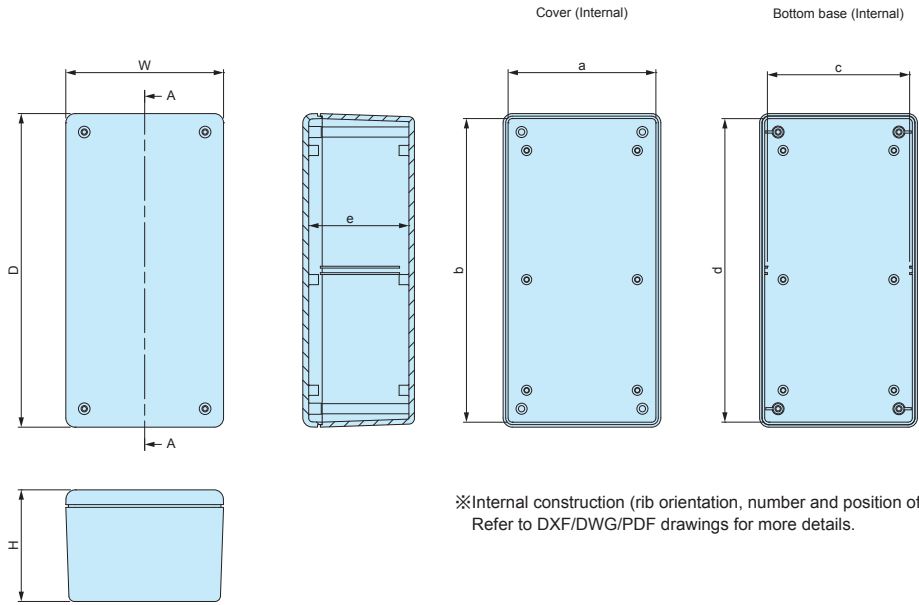
Product no.	W	H	D	a	b	c	d	e
TW 5-2- 5□	50	15	50	42.8	42.8	44.3	44.3	11
TW 5-3- 5□	50	25	50	42.8	42.8	43.6	43.6	21
TW • TWN5-2- 7□	50	15	70	43.2	63.2	44.3	64.3	11
TW • TWN5-3- 7□	50	27.5	70	43.2	63.2	43.4	63.4	23.5
TW • TWN5-4- 7□	50	40	70	43.2	63.2	42.5	62.5	36
TW • TWN7-2-11□	70	20	105	61.2	96.2	63.2	98.2	15
TW • TWN7-4-11□	70	35	105	61.2	96.2	62.2	97.2	30
TW • TWN7-5-11□	70	50	105	61.2	96.2	61.1	96.1	45
TW • TWN8-2- 8□	80	20	80	71.6	71.6	73	73	15
TW • TWN8-4- 8□	80	40	80	71.6	71.6	71.6	71.6	35

TW / TWN5-3-9 • TW5-3-10

TW / TWN7-3-13 / TWS7-3-13 (Internal enclosure) • TW / TWN7-5-13 / TWS7-5-13 (Internal enclosure)

TW / TWN9-4-17 / TWS9-4-17 (Internal enclosure) • TW / TWN9-6-17 / TWS9-6-17 (Internal enclosure)

TW / TWN11-5-22 / TWS11-5-22 (Internal enclosure) • TW / TWN11-8-22 / TWS11-8-22 (Internal enclosure)



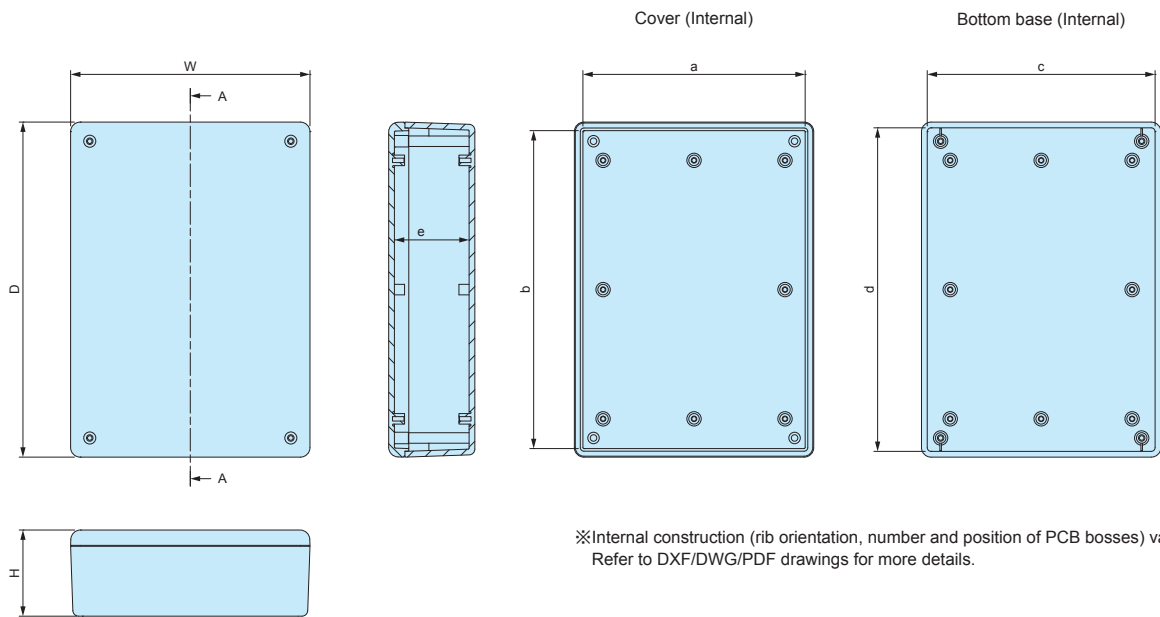
※Internal construction (rib orientation, number and position of PCB bosses) vary by model
Refer to DXF/DWG/PDF drawings for more details.

Product no.	W	H	D	a	b	c	d	e
TW • TWN 5-3- 9□	45	25	90	37.8	82.8	37.7	82.7	21
TW 5-3-10□	50	30	100	42.6	92.6	42.3	92.3	26
TW • TWN 7-3-13□	65	25.6	130	55.3	120.3	57.7	122.7	19.6
TW • TWN 7-5-13□	65	50.1	130	55.3	120.3	55.9	120.9	44.1
TW • TWN 9-4-17□	85.5	35.5	170	75.7	160.2	77.1	162	29.3
TW • TWN 9-6-17□	85.5	60.5	170	75.7	160.2	75.7	160.2	54.3
TW • TWN11-5-22□	110	45.3	220	100.1	210.1	101.4	211.4	39.1
TW • TWN11-8-22□	110	75.3	220	100.1	210.1	99.3	209.3	69.1

TW / TWN13-3-13 / TWS13-3-13 (Internal enclosure) • TW / TWN13-5-13 / TWS13-5-13 (Internal enclosure)

TW / TWN13-3-18 / TWS13-3-18 (Internal enclosure) • TW / TWN13-5-18 / TWS13-5-18 (Internal enclosure)

TW / TWN13-7-18 / TWS13-7-18 (Internal enclosure)



※Internal construction (rib orientation, number and position of PCB bosses) vary by model
Refer to DXF/DWG/PDF drawings for more details.

Product no.	W	H	D	a	b	c	d	e
TW • TWN13-3-13□	125	25	125	114.5	114.5	117.2	117.2	19
TW • TWN13-5-13□	125	45	125	114.5	114.5	115.8	115.8	39
TW • TWN13-3-18□	125	25	175	114.5	164.5	117	167	19
TW • TWN13-5-18□	125	45	175	114.5	164.5	115.6	165.6	39
TW • TWN13-7-18□	125	65	175	114.5	164.5	114.2	164.2	59

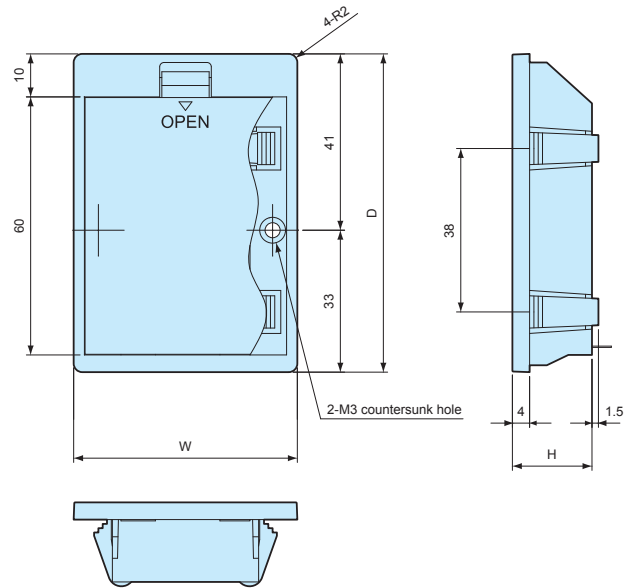
LD • LDN SERIES

SNAP-IN BATTERY BOX

Snap-in battery holders are available for installation onto TWS • TW • TWN series.
Hole milling is required for installation of battery holder.



■ Drawings below are reference examples only.
DXF/DWG/PDF drawings available on our website.



Color Type

Code	Color	Material
G	Light gray	ABS UL94HB
B	Black	ABS UL94HB
W	White	PC+ABS UL94V-0

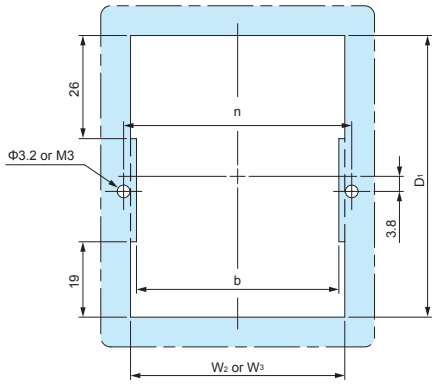
※ See website for more details

Product no. / Dimensions

Product no.			Battery compartment	Dimensions		TWS • TW • TWN suitable models
● Light gray	● Black	● White		W	H	
LD-006PG LDN-006PG	LD-006PB LDN-006PB	LD-006PW LDN-006PW	9V x 1	52	21.5	7-5-11, 7-5-13, 8-4-8, 9-4-17, 9-6-17, 11-5-22, 11-8-22, 13-3-13, 13-5-13, 13-3-18, 13-5-18, 13-7-18
LD-2G LDN-2G	LD-2B LDN-2B	LD-2W LDN-2W	AA x 2	52	18.5	7-4-11, 7-5-11, 7-3-13, 7-5-13, 8-2-8, 8-4-8, 9-4-17, 9-6-17, 11-5-22, 11-8-22, 13-3-13, 13-5-13, 13-3-18, 13-5-18, 13-7-18
LD-3G LDN-3G	LD-3B LDN-3B	LD-3W LDN-3W	AA x 3	64.5	18.5	7-4-11, 7-5-11, 9-4-17, 9-6-17, 11-5-22, 11-8-22, 13-3-13, 13-5-13, 13-3-18, 13-5-18, 13-7-18
LD-4G LDN-4G	LD-4B LDN-4B	LD-4W LDN-4W	AA x 4	82	18.5	9-4-17, 9-6-17, 11-5-22, 11-8-22, 13-3-13, 13-5-13, 13-3-18, 13-5-18, 13-7-18

LD : without Lead-wire version LDN : with Lead-wire (140mm) version

LD • LDN mounting hole



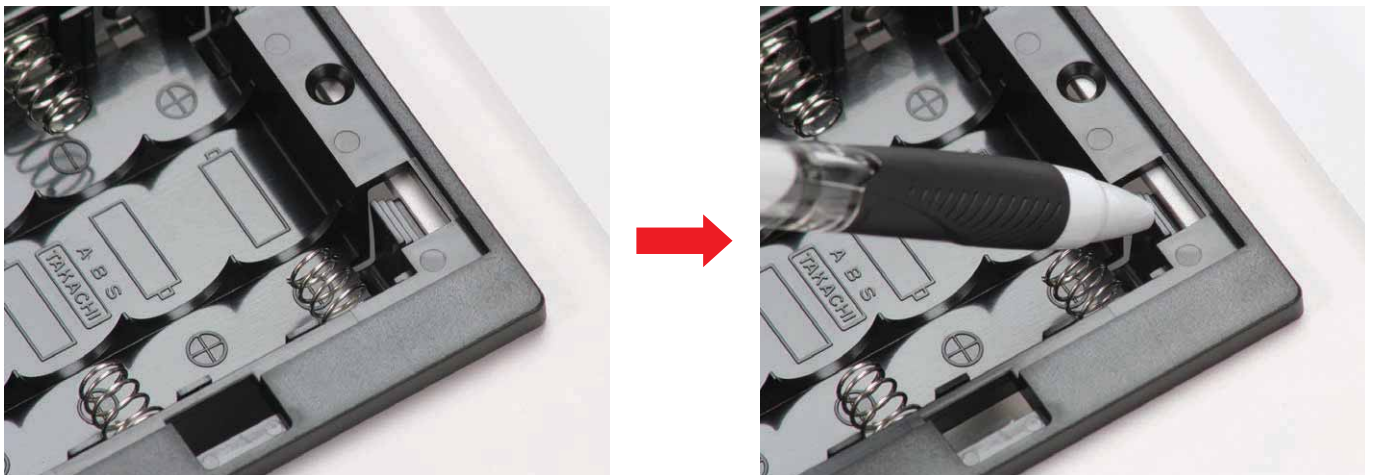
Mounting hole dimension

Product no.	W ₂ (thickness=2.5mm)	W ₃ (thickness=3.0mm)	D1	b	n
LD / LDN-2 • 006P	38.5	40.5	70.6	34.5	40.5
LD / LDN-3	52.5	54	70.4	49	53
LD / LDN-4	68.5	70.5	70.6	64.5	70.1

■ W₂ or W₃ size depends on the thickness of the enclosure wall used for mounting.

How to mount the battery box on the enclosure

Please push the hook using a thin stick when mounting the battery box on the enclosure.
Please use minimal force when pushing to avoid breaking it.



Customization available

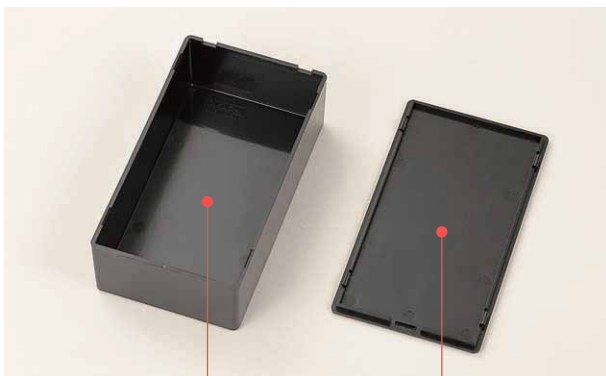


Contact us with your drawings.

E-mail : sales@takachi-el.co.jp



Technical Data
Protection class: IP40
Operating temperature:
SW-SW-N: -10°C ~ +60°C
SW-T: -10°C ~ +100°C



1

2

- No screws required; simple snap on / off cover.
- General purpose compact type case.
- Ample interior space.
- Exclusive PCB is available.
- 3 different material types (standard, flame-resistant, and heat-resistant) are available.

Components

No.	Part name	Material / Color
1	Base	SW : ABS UL94HB / Light gray • Black
		SW-N : ABS UL94V-1 : UL94V-0 / Gray
		SW-T : ABS flame-resistant / Black
2	Cover	SW : ABS UL94HB / Light gray • Black
		SW-N : ABS UL94V-1 : UL94V-0 / Gray
		SW-T : ABS flame-resistant / Black

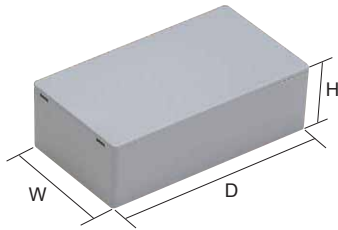
Accessories (Optional parts)



Adhesive standoff T-600, 700, ASR
See page Standoff-1

Neodymium magnet NMG series
See page NMG-1

SW-SW-N-SW-T dimensions



■ Drawings below are reference examples only.
DXF/DWG/PDF drawings available on our website.

Color Type

Series	Code	Color
SW	S	Light gray
	B	Black
SW-N	G	Gray
SW-T	B	Black

SW standard (ABS UL94HB)

Product no. / Dimensions

Product no.		Dimensions			Weight (g)
● Light gray	● Black	W	H	D	
SW- 15S	SW- 15B	10	10	15	1
SW- 20S	SW- 20B	15	15	20	2
SW- 30S	SW- 30B	20	18	30	4
SW- 40S	SW- 40B	30	20	40	10
SW- 50S	SW- 50B	35	25	50	14
SW- 53S	SW- 53B	36	11	53	10
SW- 55S	SW- 55B	40	20	55	17
SW- 60S	SW- 60B	18	17	60	9
SW- 65S	SW- 65B	45	25	65	21
SW- 75S	SW- 75B	50	30	75	32
SW- 85S	SW- 85B	60	40	85	43
SW- 90S	SW- 90B	25	21	90	17
SW- 95S	SW- 95B	58	18	95	34
SW-100S	SW-100B	65	35	100	55
SW-120S	SW-120B	60	24	120	50
SW-125S	SW-125B	70	40	125	77
SW-130S	SW-130B	40	25	130	43

SW-N flame-resistant (ABS UL94V-1 : UL94V-0)

Product no. / Dimensions

Product no.	W	H	D	UL class	Weight (g)
SW-N 20G	15	15	20	UL94V-1	3
SW-N 30G	20	18	30	UL94V-1	5
SW-N 40G	30	20	40	UL94V-0	11
SW-N 50G	35	25	50	UL94V-0	17
SW-N 55G	40	20	55	UL94V-0	19
SW-N 65G	45	25	65	UL94V-0	23
SW-N 75G	50	30	75	UL94V-0	35
SW-N 85G	60	40	85	UL94V-0	50
SW-N 95G	58	18	95	UL94V-0	37
SW-N100G	65	35	100	UL94V-0	60
SW-N120G	60	24	120	UL94V-0	56
SW-N125G	70	40	125	UL94V-0	85
SW-N130G	40	25	130	UL94V-0	48

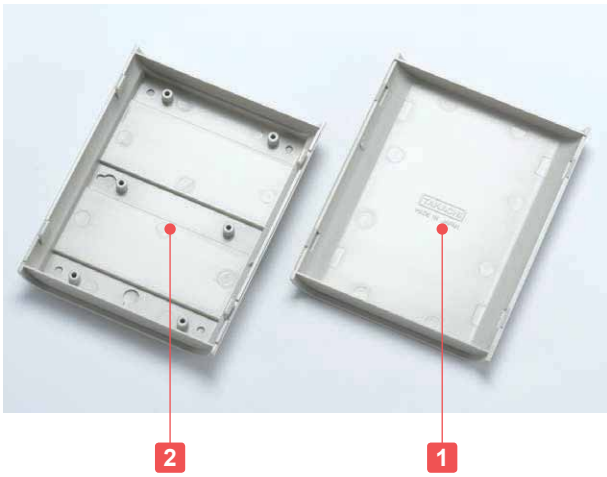
SW-T heat-resistant (ABS heat distortion temperature 100°C)

Product no. / Dimensions

Product no.	W	H	D	Weight (g)
SW-T 20B	15	15	20	2
SW-T 40B	30	20	40	9
SW-T 55B	40	20	55	16
SW-T 75B	50	30	75	30
SW-T 95B	58	18	95	31
SW-T100B	65	35	100	50



Technical Data
Protection class: IP40
Operating temperature: -10°C ~ +60°C



- Rounded shape design.
- Suitable for wall-mount communication device usage.
- Snap on / off cover. No screws are required.

Components

No.	Part name	Material	Color / Finish
1	Cover	ABS UL94HB	Light gray • White
2	Base	ABS UL94HB	Light gray • White

Accessories (Optional parts)



Tapping standoff TPS series
See page TPS • MT-1

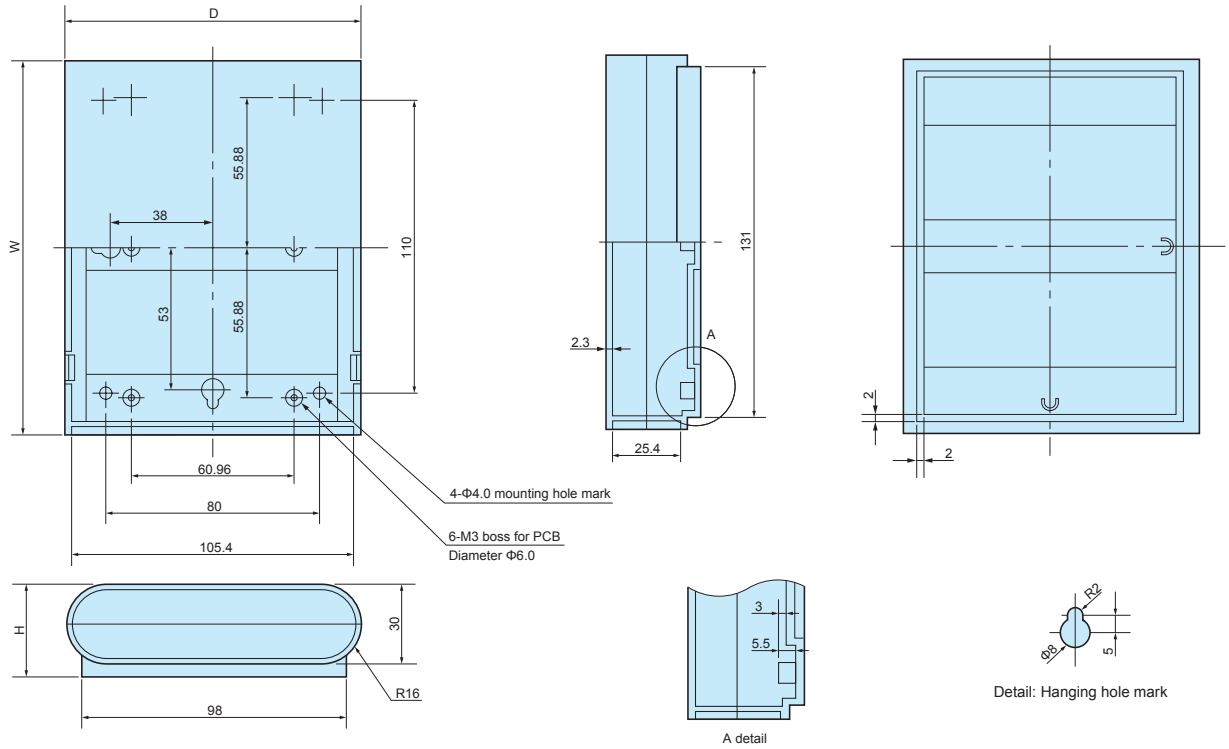


PCB mounting screw EM series
See page EM • MR-1

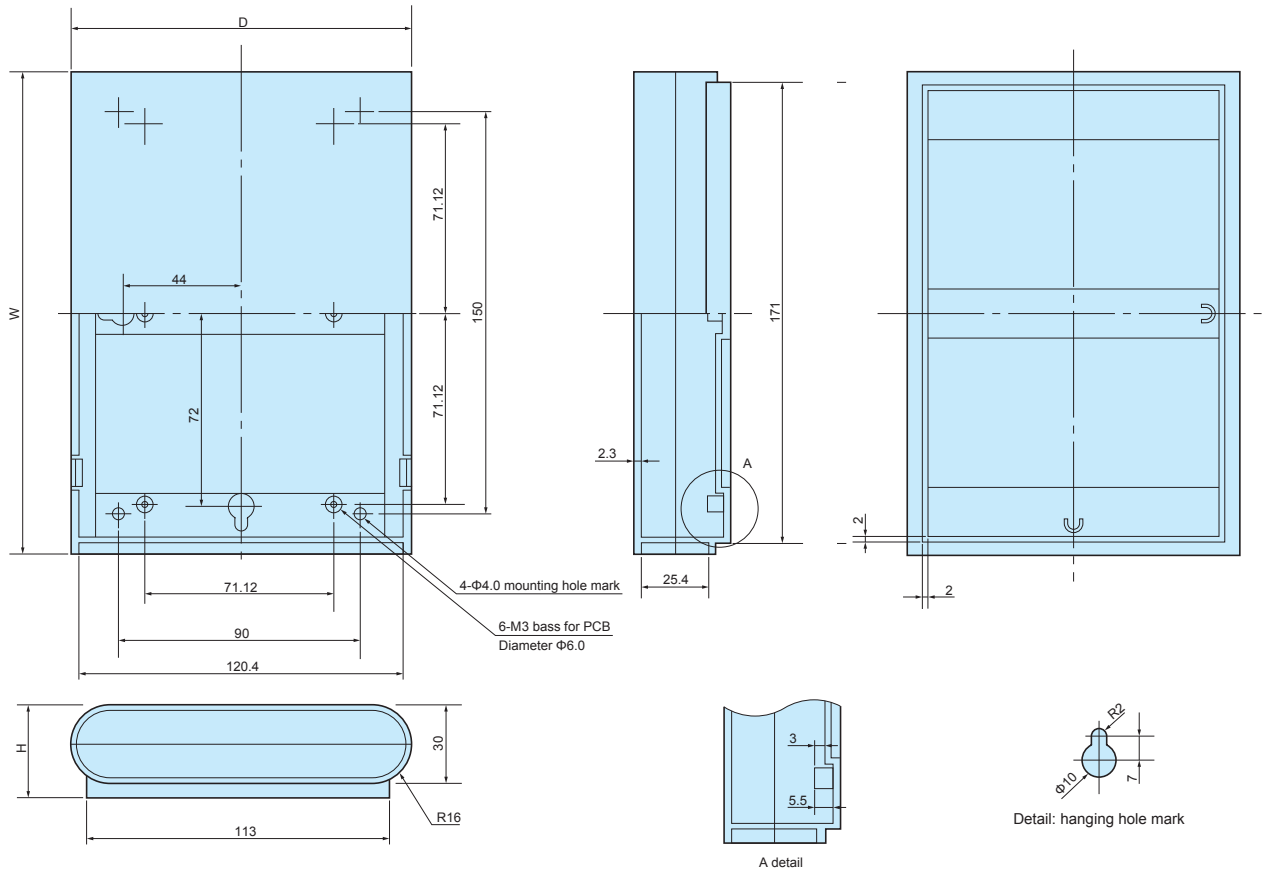
SU dimensions

DXF/DWG/PDF drawings available on our website.

SU-140



SU-180



Product no. / Dimensions

Product no.		Dimensions			Weight (g)
● Light gray	● White	W	H	D	
SU-140G	SU-140W	140	35	110	100
SU-180G	SU-180W	180	35	125	140

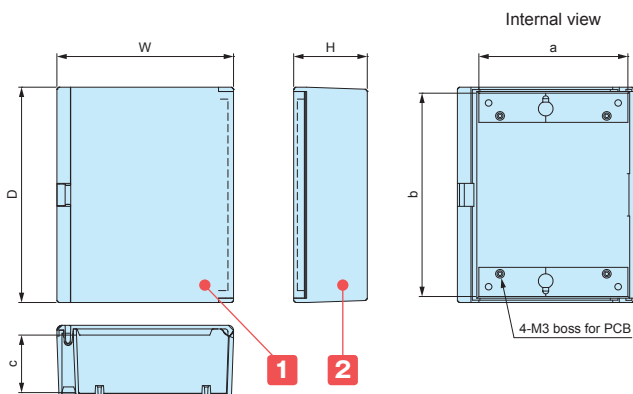


OP dimensions

Drawings below are reference examples only.
DXF/DWG/PDF drawings available on our website.

Technical Data

Operating temperature: -10°C ~ +60°C



- Plastic case with hinged door.
- General purpose case for desk-top, wall-mount, and so on.

Components

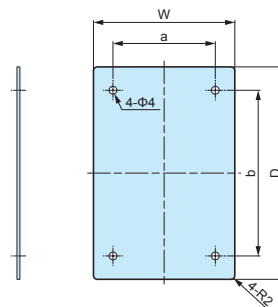
No.	Part name	Material	Color / Finish
1	Top cover	ABS UL94HB	Light gray • Black
2	Base	ABS UL94HB	Light gray • Black

Product no. / Dimensions

Product no.		Dimensions						Weight (g)
● Light gray	● Black	W	H	D	a	b	c	
OP-125G	OP-125B	100	45	125	81.2	116.6	35.7	130
OP-150G	OP-150B	120	50	150	101.2	141.6	40.7	185
OP-180G	OP-180B	145	55	180	128.8	174	43	275

Accessories (Optional parts)

OPP mounting plate



Product no. / Dimensions

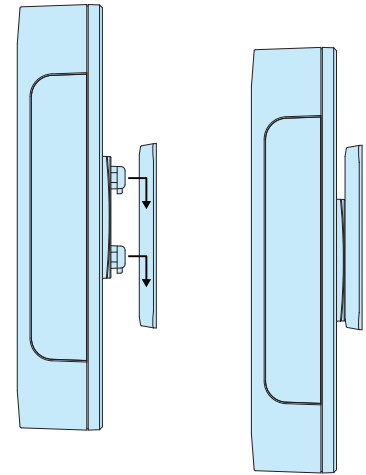
Product no.	W	D	a	b	Material	Color / Finish	Suitable box
OPP-125	72.5	109	52.5	85	Aluminium A1050P t = 1.5	Unfinished	OP-125
OPP-150	92.5	134	72.5	110	Aluminium A1050P t = 1.5	Unfinished	OP-150
OPP-180	115.5	164	98	140	Aluminium A1050P t = 1.5	Unfinished	OP-180

Included screw : M3-6 Steel pan head tapping • Trivalent chromate x 4 pcs

WM SERIES

SUSPENSION BRACKET

How to install

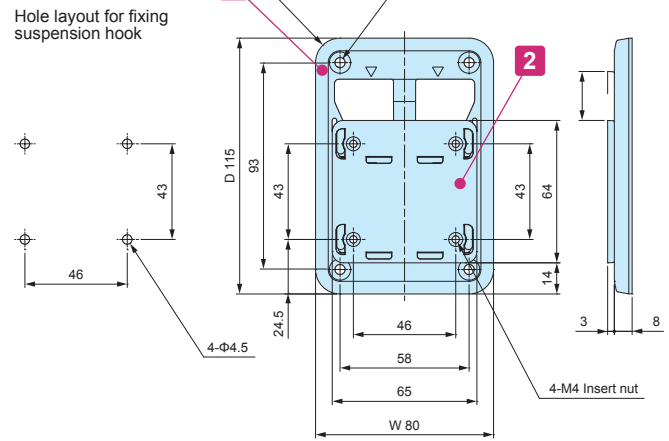
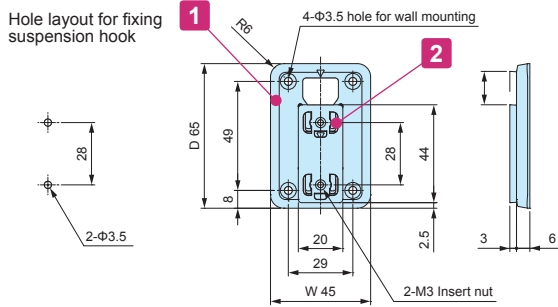


- Plastic wall mounting bracket. Easy attachment and removal.
- Large and small brackets are available.
- Applicable not only for the PF series, but also other plastic/metal enclosures with a panel thickness of 0.8 ~ 3.5mm.
- To attach the suspension hook onto the enclosure, hole milling is required.
- The max load values listed are static load values only. Use caution when handling.
- Please be aware of the insertion direction of the suspension hook against the mounting base when attaching.

Technical Data
Max load : 2 kg - WM-1 5 kg - WM-2

WM-1

WM-2



■ DXF/DWG/PDF drawings available on our website.

Components

No.	Part name	Pcs	Material	Color / Finish
1	Mounting base	1	PC + ABS UL94HB	Off-white • Dark gray
2	Suspension hook	1	PC + ABS UL94HB	Off-white • Dark gray
-	Insert nut	2 / 4	Brass	Unfinished
-	Screw	2	M3-8 Steel binding = WM-1	Nickel plated
-	Screw	4	M4-8 Steel binding = WM-2	Nickel plated

Product no. / Dimensions

Product no.		Dimensions		Mountable thickness	Weight (g)
● Off-white	● Dark gray	W	D		
WM-1W	WM-1D	45	65	t0.8 ~ t3.5	11.5
WM-2W	WM-2D	80	115	t0.8 ~ t3.5	48

NMG SERIES

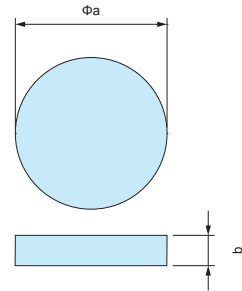
NEODYMIUM MAGNET



Round magnet



- Material / Finish: Neodymium / Nickel plated
- Please attach using a strong adhesive.



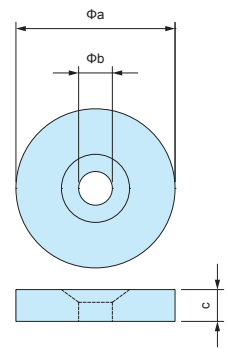
Components

Product no.	a	b	Weight (g)	Flus Density	Adsorption
NMG3-15N	15	3	4	214.4 mT	2.44 kgf
NMG3-20N	20	3	7.1	170.7 mT	3.26 kgf
NMG5-22N	22	5	11.4	247.2 mT	5.91 kgf
NMG5-25N	25	5	18.4	221.9 mT	6.89 kgf

Round magnet with countersunk hole



- Please fasten with a screw.



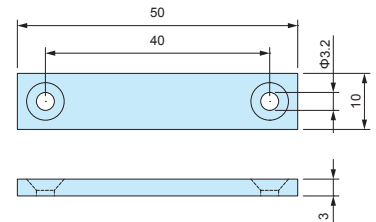
Components

Product no.	a	b	c	Countersunk size	Weight (g)	Flus Density	Adsorption
NMG3-15M3	15	3.2	3	M3	3.8	214.3 mT	2.33 kgf
NMG3-20M3	20	3.2	3	M3	6.9	170.6 mT	3.17 kgf
NMG5-22M4	22	4.3	5	M4	13.7	247.2 mT	5.68 kgf
NMG5-25M5	25	5.3	5	M5	17.6	221.9 mT	6.58 kgf

Rectangular magnet with countersunk holes



- Please fasten with a screw.



Components

Product no.	a	b	c	Countersunk size	Weight (g)	Flus Density	Adsorption
NMG3-50M3	50	10	3	M3	11.3	210.0 mT	9.1 kgf

Example 1 The magnetic force remains strong even through plastic.



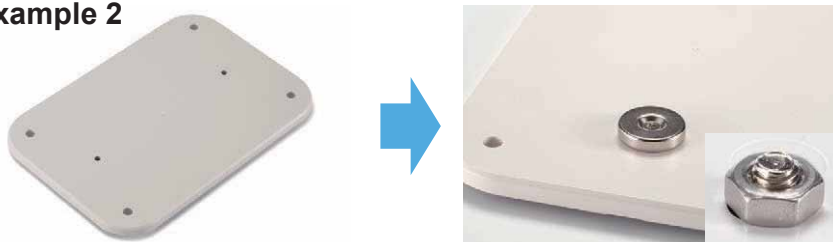
Make recessed pocket on the inside wall.

Glue on.



Attach onto a metallic surface.

Example 2



Make holes

Fasten with a screw and nut.



Attach onto a metallic surface.

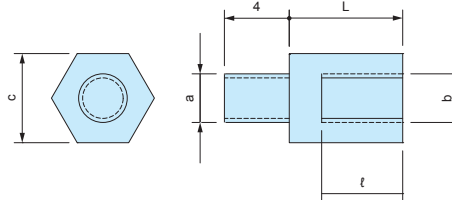
CAUTION: Handle with care to avoid personal injury or damage to the magnet.

TPS SERIES

TAPPING STANDOFF



- Tapping screw head allows for easy installation onto existing enclosure boss mount.
- 3 different sizes available : M2.3, M2.6 and M3 size.



Product no. / Dimensions

■ Material / Finish : Brass / Unfinished

Product no.	Screw size (a)	Screw size (b)	c	L	ℓ	Pack of	Recommended enclosure models	
TPS-M2.3-4	M2.3	M2.3	5	4	3	4	WH series • PFE series LC • LCE • LCS • LCT series PF • PFF series (M2.3 boss models) TW • TWN • TWF series (M2.3 boss models) WP series (M2.3 boss models)	
TPS-M2.3-5	M2.3	M2.3	5	5	3	4		
TPS-M2.3-6	M2.3	M2.3	5	6	4	4		
TPS-M2.3-7	M2.3	M2.3	5	7	5	4		
TPS-M2.3-8	M2.3	M2.3	5	8	6	4		
TPS-M2.3-10	M2.3	M2.3	5	10	6	4		
TPS-M2.3-12	M2.3	M2.3	5	12	6	4		
TPS-M2.6-4	M2.6	M2.6	5	4	3	4		PF • PFF series (M2.6 boss models) WP series (M2.6 boss models)
TPS-M2.6-5	M2.6	M2.6	5	5	3	4		
TPS-M2.6-7	M2.6	M2.6	5	7	5	4		
TPS-M2.6-10	M2.6	M2.6	5	10	6	4		
TPS-M2.6-12	M2.6	M2.6	5	12	6	4	SU • OP series TWS • TW • TWN • TWF series (M3 boss models)	
TPS-M3-4	M3	M3	5.5	4	3	4		
TPS-M3-5	M3	M3	5.5	5	3	4		
TPS-M3-6	M3	M3	5.5	6	4	4		
TPS-M3-7	M3	M3	5.5	7	5	4		
TPS-M3-8	M3	M3	5.5	8	5	4		
TPS-M3-10	M3	M3	5.5	10	6	4		
TPS-M3-12	M3	M3	5.5	12	6	4		



- Please use a suitable sized socket driver to both secure and loosen the tapping standoff.



MT SERIES

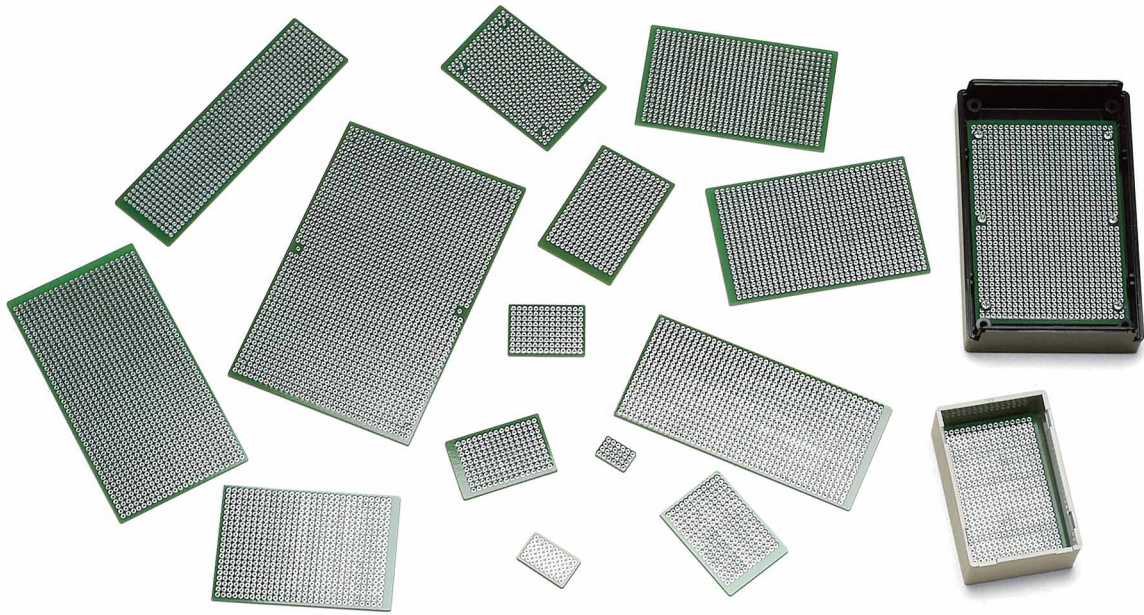
PCB MOUNTING SCREWS for TPS



- PCB mounting Screws for TPS tapping standoffs.

Product no. / Dimensions

Product no.	M	L	Head style	Material	Finish	Pack of
NEW MT2.3-4	2.3	4	Pan	Steel	Trivalent chromate	20
NEW MT2.3-6	2.3	6		Steel	Trivalent chromate	20
NEW MT2.6-4	2.6	4		Steel	Trivalent chromate	20
MT3-4	3	4		Steel	Trivalent chromate	20



- Material / Finish : Glass epoxy (FR-4) / Through-hole - Lead-free solder resist
- Environmentally friendly lead-free solder.
- 25 different sizes available. See chart on page TNF-2 for suitable cases/boxes.
- TNF160-240 is for multi-size use. Cut it to fit your needs when using.

Accessories (Optional parts)



Tapping standoff TPS series
See page TPS • MT-1



Adhesive standoff T-600, 700 series
See page Standoff-1

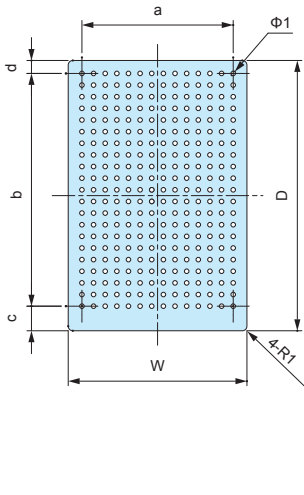


Adhesive standoff ASR series
See page Standoff-1

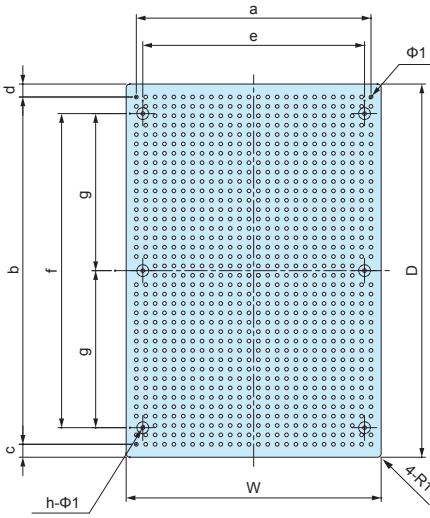


PCB mounting screw EM series
See page EM • MR-1

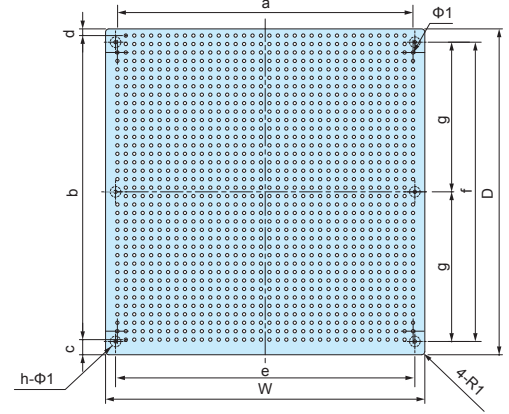
Pattern A



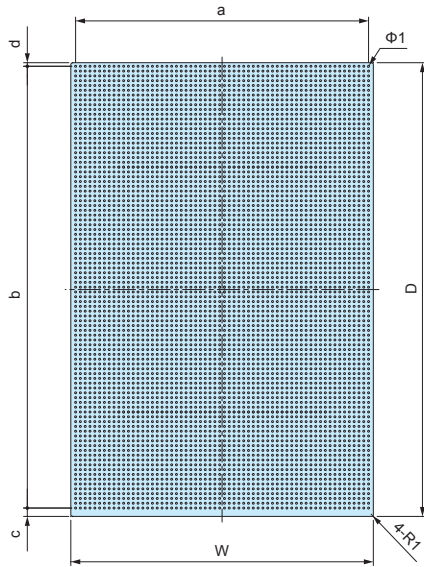
Pattern B



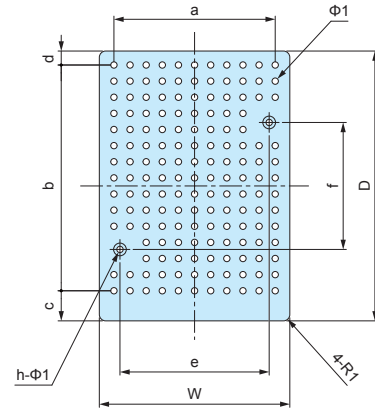
Pattern C



Pattern D



Pattern E



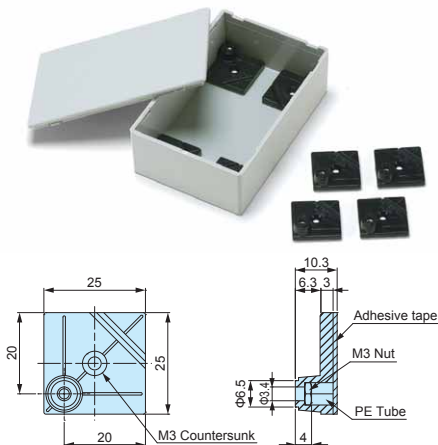
Product no. / Dimensions

■ Pattern B, C, and E PCBs come with holes for boss mounting.

Product no.	W	D	a	b	c	d	e	f	g	h	Holes	Pattern	Suitable case
TNF 11- 16	10.7	15.8	7.62	12.7	1.55	1.55	—	—	—	—	4 x 6	A	SW-20
TNF 15- 25	15	25	10.16	20.32	2.34	2.34	—	—	—	—	5 x 9	A	SW-30
TNF 25- 35	25	35	20.32	30.48	2.26	2.26	—	—	—	—	9 x 13	A	SW-40
TNF 29- 32	29.5	32.5	25.4	25.4	4.82	2.28	23.5	20	—	2	11 x 11 ■	E	TW • TWN4-2-5
TNF 29- 42	29.5	42.5	25.4	35.56	4.74	2.2	23.5	20	—	2	11 x 15 ■	E	TW • TWN4-2-6
TNF 29- 44	29	44	22.86	35.56	5.49	2.95	—	—	—	—	10 x 15	A	SW-50 • 53
TNF 34- 49	34	49	27.94	40.64	5.45	2.91	—	—	—	—	12 x 17	A	SW-55
TNF 34- 62	34.5	62.5	30.48	55.88	4.58	2.04	28.5	40	—	2	13 x 23 ■	E	TW • TWN4-2-8
TNF 34-124	34	124	27.94	116.84	4.85	2.31	—	—	—	—	12 x 47	A	SW-130
TNF 39- 59	39	59	33.02	50.8	5.37	2.83	—	—	—	—	14 x 21	A	
TNF 39- 70	39.5	70	33.02	60.96	5.79	3.25	27.94	58.42	—	4	14 x 25	A	TW • TWN5-3-9
TNF 43- 66	43	66	38.1	58.42	3.79	3.79	30	50	—	4	16 x 24 ■	B	
TNF 43- 79	43.5	79.5	38.1	73.66	2.92	2.92	—	—	—	—	16 x 30	A	TW5-3-10
TNF 44- 69	44	69	38.1	60.96	5.29	2.75	—	—	—	—	16 x 25	A	SW-75
TNF 52- 89	52	89	45.72	81.28	3.86	3.86	—	—	—	—	19 x 33	A	SW-95
TNF 53- 79	53	79	48.26	71.12	5.21	2.67	—	—	—	—	20 x 29	A	SW-85 • TW • TWN7-□-11
TNF 53-114	53	114	48.26	106.68	4.93	2.39	—	—	—	—	20 x 43	A	SW-120
TNF 59- 94	59	94	53.34	86.36	5.09	2.55	—	—	—	—	22 x 35	A	SW-100
TNF 63-119	63	119	58.42	111.76	4.89	2.35	—	—	—	—	24 x 45	A	SW-125
TNF 69-101	69	101	63.5	93.98	3.51	3.51	60	—	42.5	6	26 x 38 ■	B	
TNF 89-136	89	136	83.82	129.54	3.23	3.23	80	—	60	6	34 x 52 ■	B	
TNF 96- 98	96	98	88.9	91.44	4.55	2.01	90	90	45	6	36 x 37 ■	C	
TNF122- 99	122	99	116.84	91.44	3.78	3.78	—	—	—	—	47 x 37	A	
TNF128-136	136	128	129.54	121.92	4.31	1.77	130	120	60	6	52 x 50 ■	C	
TNF160-240	160	240	154.94	233.68	3.93	2.39	—	—	—	—	62 x 93	D	

T-600

M3 INSERT NUT ADHESIVE STANDOFF



- Double-sided adhesive tape allows the standoff to be mounted easily; allows PCB mounting in non-boss enclosures.

NOTE

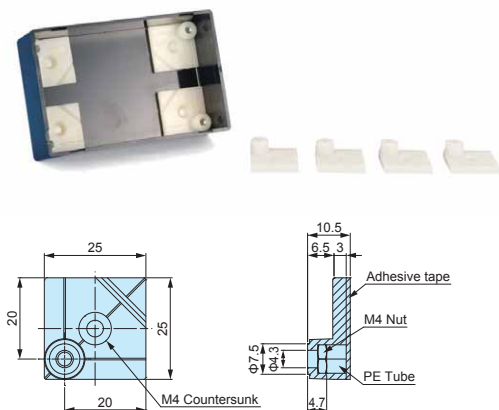
- Please ensure the surface is cleaned and grease-free before adhering.
- Once removed, it cannot be adhered on again.
- Recommended screw torque: 4kgf • cm (0.4N • m).

Product no. / Dimensions

Product no.	Material	Color	Weight (g)	Pack of
T-600	ABS	Black	2.6 (g) / pc	10

T-700

M4 INSERT NUT ADHESIVE STANDOFF



- Double-sided adhesive tape allows the standoff to be mounted easily; allows PCB mounting in non-boss enclosures.

NOTE

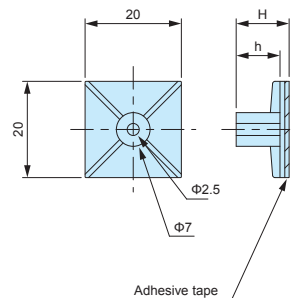
- Please ensure the surface is cleaned and grease-free before adhering.
- Once removed, it cannot be adhered on again.
- Recommended screw torque: 8.1kgf • cm (0.81N • m).

Product no. / Dimensions

Product no.	Material	Color	Weight (g)	Pack of
T-700	ABS	Natural	2.6 (g) / pc	10

ASR SERIES

ADHESIVE STANDOFF



- M3 tapping screw use adhesive standoff. Recommended to be used with EM-3 or EM-3-6 tapping screws (See page EM • MR-1).

NOTE

- Please ensure the surface is cleaned and grease-free before adhering.
- Once removed, it cannot be adhered on again.
- Recommended screw torque: 4kgf • cm (0.4N • m).

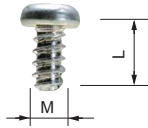
Product no. / Dimensions

Product no.	H	h	Weight (g)	Pack of
ASR- 5	5.1	3.1	0.9 (g) / pc	10
ASR- 6	6.4	4.4	1.0 (g) / pc	10
ASR- 7	7.2	5.1	0.9 (g) / pc	10
ASR- 8	8.1	6.3	0.9 (g) / pc	10
ASR- 9	9	7	1.0 (g) / pc	10
ASR-11	11	9	1.0 (g) / pc	10
ASR-13	12.7	10.7	1.2 (g) / pc	10
ASR-14.5	14.7	12.8	1.1 (g) / pc	10
ASR-16	15.9	13.9	1.3 (g) / pc	10
ASR-19	19.1	17.1	1.4 (g) / pc	10

■ Material: Nylon 66 UL94V-2

EM SERIES

PCB MOUNTING SCREW



- Self-tapping screws for mounting PCB on bosses or standoffs.
- EM-3-6 self-tapping screws are suitable for mounting 1.6mm or thicker PCB.

Product no. / Dimensions

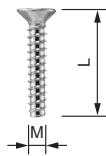
Product no.	M	L	Material	Finish	Suitable enclosures	Pack of
EM-1.6	1.6	4	Steel	Trivalent chromate	WC • CSS • CS • PS (M1.6 size)	50
EM-2	2	5	Steel	Trivalent chromate	PS • TW • TWN • TWF • WP (M2 size)	50
EM-2.3	2.3	6	Steel	Trivalent chromate	WH • LC • LCT • LCS • LCE • PFE WSC (Top cover bosses) PF • PFF (M2.3 size) TW • TWN • TWF (M2.3 size) WP (M2.3 size)	50
NEW EM-2.3-8	2.3	8	Steel	Trivalent chromate	WSC (Bottom base bosses)	50
EM-2.6	2.6	6	Steel	Trivalent chromate	PF • PFF • WP (M2.6 size)	50
EM-3	3	5	Steel	Trivalent chromate	SU TWS • TW • TWN • TWF (M3 sizes)	50
EM-3-6	3	6	Steel	Trivalent chromate		50

MR SERIES

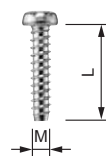
TORX SCREW



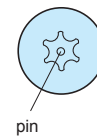
Countersunk head



Pan head



With pin



★ Without pin



★ : MR1.6-6S, MR-2S, MR2.6-10□, and MR3-14□ are without pin.

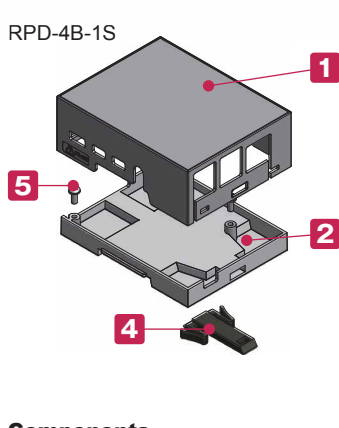
Product no. / Dimensions

★Mark = Without pin

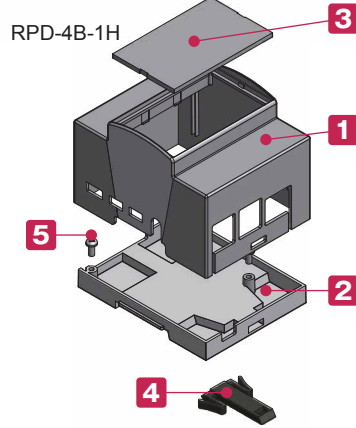
Product no.	M	L	head no.	Head style	Material	Finish	Suitable enclosures	Pack of
MR1.6-6S★	1.6	6	T3	Pan	Steel	Nickel plated	CS • CSS	20
MR2.5-8PS	2.5	8	T8	Pan	Steel	Nickel plated	PF • PFE • PFF (M2.5 size)	20
MR2.6-10S★	2.6	10	T8	Countersunk	Steel	Nickel plated	TW • TWN (M2.6 models) TWF (M2.6 models)	20
MR2.6-10B★	2.6	10	T8	Countersunk	Steel	Black trivalent chromate	MX • MXA • MXB • MXF (M2.6 models)	20
MR2.6-12PS	2.6	12	T8	Pan	Steel	Nickel plated	LCT • LCS • LC115-F2 / F3 LCT • LCS • LC145S-F6	20
MR2.6-14PS	2.6	14	T8	Pan	Steel	Nickel plated	LCT • LCS • LC115H-F2 / F3 / M2 / 9V LCT • LCS • LC135-F4 / M2 / M3 / 9V LCT • LCS • LC135H-F4 / M2 / M3 / 9V LCT • LCS • LC145-F6 / M2 / M4 LCT • LCS • LC145H-F6 / M2 / M4 LCT • LCS • LC165-M4 LCT • LCS • LC165H-M4	20
MR2.6-14S	2.6	14	T8	Countersunk	Steel	Nickel plated	LCT • LCS • LC115-N / F2 / F3 LCT • LCS • LC145S-F6 / 145S-N LCE115-N TW • TWN7-2-11 / 7-4-11 / 7-5-11 TWF7-2-11 / 7-4-11 / 7-5-11 / 8-2-8 / 8-4-8	20
MR2.6-18S	2.6	18	T8	Countersunk	Steel	Nickel plated	LCT • LCS • LC115H-N / F2 / F3 / M2 / 9V LCT • LCS • LC135-N / F4 / M2 / M3 / 9V LCT • LCS • LC135H-N / F4 / M2 / M3 / 9V LCT • LCS • LC145-N / F6 / M2 / M4 LCT • LCS • LC145H-N / F6 / M2 / M4 LCT • LCS • LC165-N / M4 LCT • LCS • LC165H-N / M4 LCE115H-N • LCE135-N • LCE145H-N • LCE165H-N	20
MR3-8PS	3	8	T10	Pan	Steel	Nickel plated	PF • PFE • PFF (M3 size)	20
MR3-14S★	3	14	T10	Countersunk	Steel	Nickel plated	TW • TWN (M3 models) TWF (M3 models)	20
MR3-14B★	3	14	T10	Countersunk	Steel	Black trivalent chromate	MX • MXA • MXB • MXF (M3 models)	20
MR-2S★	3	10	T10	Countersunk	Steel	Nickel plated	HEN	20



RPD-4B-1S



RPD-4B-1H



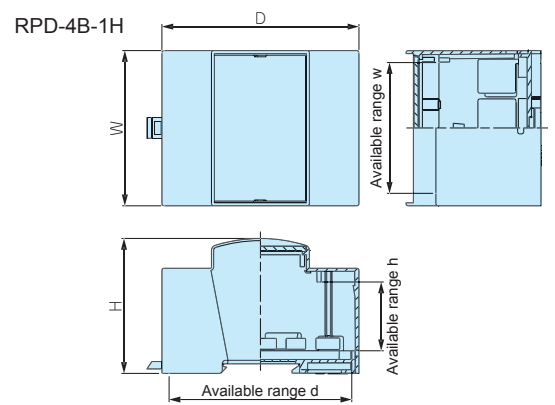
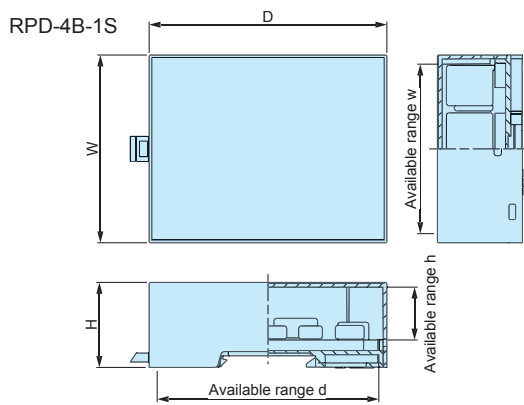
- Exclusively for use with Raspberry Pi 4B.
- Exclusively for use with 35mm DIN rail.
- Able to assemble easily with a flathead screwdriver; no screws required.
- *Caution : Material may easily break when assembling.
- Raspberry Pi Board is excluded.

Components

No.	Part name	Pcs	Material	Color / Finish
1	Body	1	PC + ABS	Gray
2	Base	1	PC + ABS	Gray
3	Front panel (RPD-4B-1H only)	1	Polycarbonate t = 2.0	Transparent
4	Hook	1	PPO	Black
5	Screw for Board (M3-6)	2	Stainless steel	Unfinished

RPD dimensions

■ Drawings below are reference examples only.
DXF/DWG/PDF drawings available on our website.



Product no. / Dimensions

Product no.	Dimensions						Weight (g)
	W	H	D	w	h	d	
RPD-4B-1S	71.1	32.2	90	64.1	20.1	83.9	46.8
RPD-4B-1H	71.3	62	90.5	60.3	31.7	83.9	68.1

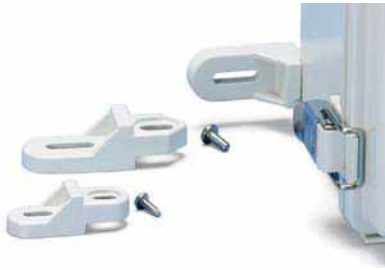
TAKACHI ELECTRONICS ENCLOSURE CO., LTD.

3-21-16 Higashi-ryoke,
Kawaguchi, Saitama 332-0003, JAPAN
Tel. +81-48-222-5409

www.takachi-enclosure.com
sales@takachi-el.co.jp

● All items listed in this catalogue are compliant with EU RoHS 10 standard.

IP65 LATCH-HINGED PLASTIC BOX



Stainless steel and plastic mounting brackets are available.
See page 256



BCAR • BCPR series comes with an attachable BRF series outdoor roof.
See page 245 ~ 246 and 251 ~ 252



Pole mounting bracket for pole installation
See page 257 ~ 258



Dust protection cap (for lock/key type)
See page 252



Cable gland
For waterproofing enclosure openings for cables and wires
See cable gland pages



Mounting plate
3 types of mounting plates are available (plastic / steel / wood)
See page 253 ~ 255



Ventilation cover
For heat dissipation and prevention of condensation build-up
See page 262

APPLICATION EXAMPLE

Universal plastic enclosure series suitable for a wide range of applications such as FA/control, electrical switchboard, network communication and so on.

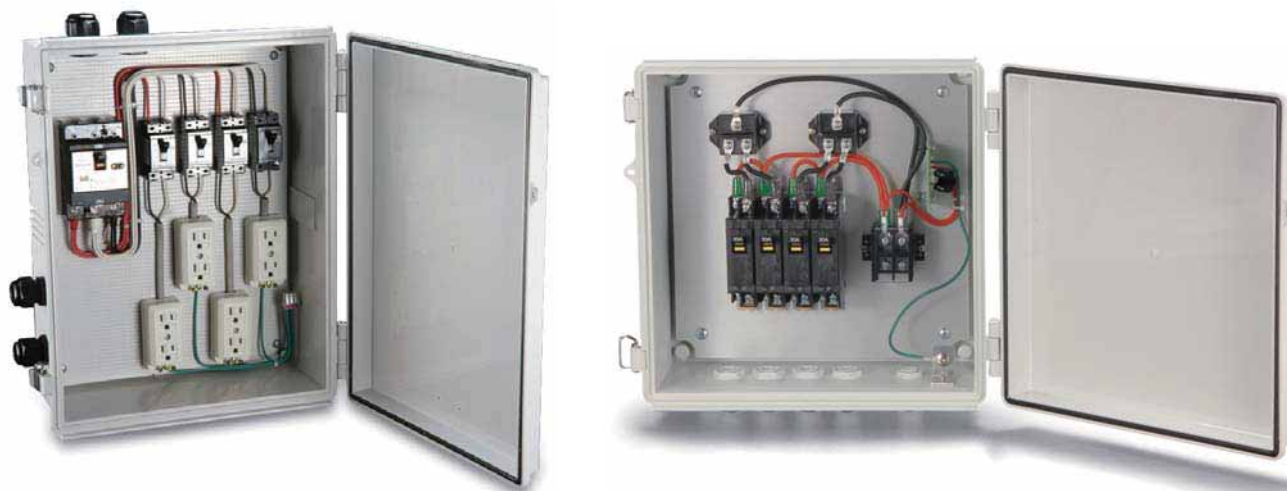
OUTDOOR WiFi SPOT Product by Spectra Quest Lab. (Japan)



SOLAR POWER JUNCTION BOX Product by Kansai Denki (Japan)

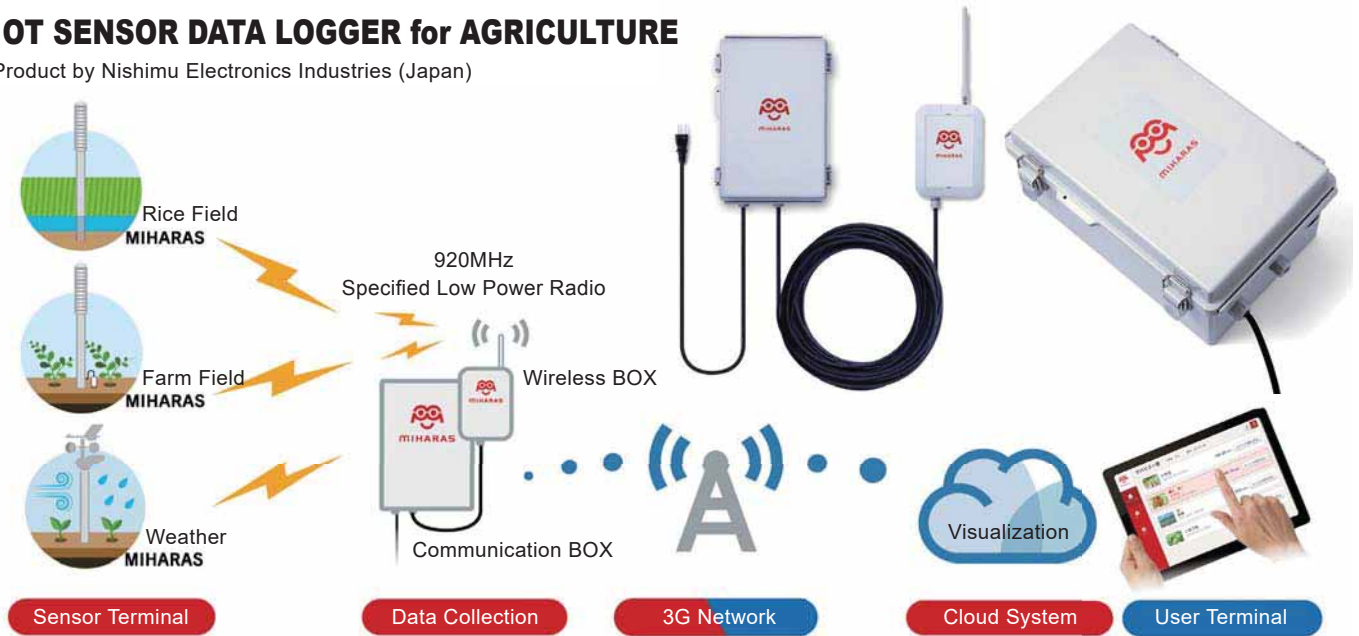


POWER SWITCHBOARD BOX



IOT SENSOR DATA LOGGER for AGRICULTURE

Product by Nishimu Electronics Industries (Japan)



Environmental Data Measurement and Controller Unit

Product by eSOL (Japan)



"SenSu" COMMUNICATION UNIT with SENSOR

Product by DATA TECHNOLOGY (Japan)



NETWORK SENSOR SYSTEM for AGRICULTURE

Product by CM Engineering (Japan)



WILDLIFE DAMAGE MONITORING SYSTEM

Product by CM Engineering (Japan)



VALVE CONTROLLER

Product by EXEN (Japan)



BUILDING SURVEILLANCE UNIT

Product by Showa Denki (Japan)



DIGITAL PRESSURE GAUGE

Product by KRONE CORPORATION (Japan)



RADIATION MONITOR



Product by Synapes (Japan)

ANEMOMETER

Product by Fieldpro (Japan)



WATER GAUGE

Product by Fieldpro (Japan)



GROUND EXTENSOMETER

Product by GeotechService (Japan)

MONITORING CAMERA

Product by ACE PROMOTION (Japan)

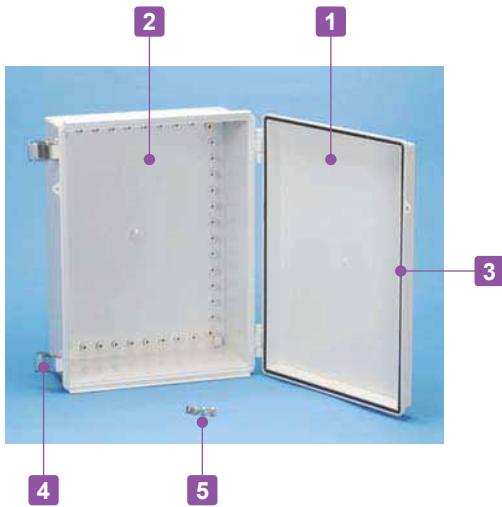


BCAP SERIES

IP65 LATCH-HINGED ABS PLASTIC BOX

BCPC SERIES

IP65 LATCH-HINGED POLYCARBONATE PLASTIC BOX



Technical Data	
Protection class:	IP65
Operating temperature:	
BCAP	-10°C ~ +60°C
BCPC	-20°C ~ +75°C

■ UL mark is only applicable for BCPC series

- 50 different sizes available.
- BCAP series is made of white gray ABS with 2 different cover types (white gray ABS and transparent polycarbonate) available.
- BCPC series is made of light gray UL94V-0 polycarbonate, which has good heat resistance properties.
- Applicable for various uses in fields such as FA, network communication, power switchbox controls and so on.

Components: BCAP series

■ Box UL class = UL94HB

No.	Part name	Pcs	Material	Color / Finish
1	Top cover	1	ABS • Polycarbonate	White gray • Transparent
2	Base	1	ABS	White gray
3	Gasket	1	Polyurethane	Black
4	Latch	1 ~ 3	Stainless steel	Unfinished
5	Screw	2 ~ 8	Steel	Trivalent chromate

■ Stainless steel mounting brackets are included together with the following models: 506018, 506025, 507018, 507025, 608018, and 608028.

Components: BCPC series

■ Box UL class = UL94V-0

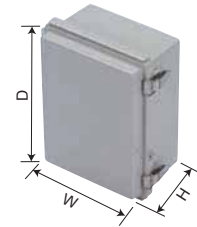
No.	Part name	Pcs	Material	Color / Finish
1	Top cover	1	Polycarbonate	Light gray
2	Base	1	Glass fiber filled polycarbonate	Light gray
3	Gasket	1	Polyurethane	Black
4	Latch	1 ~ 3	Stainless steel	Unfinished
5	Screw	2 ~ 8	Steel	Trivalent chromate

■ Stainless steel mounting brackets are included together with the following models: 506018, 506025, 507018, 507025, 608018, and 608028.

Color Type

Color code	Cover color / Material	Base color / Material
BCAP[G]	White gray / ABS	White gray / ABS
BCAP[T]	Transparent / Polycarbonate	White gray / ABS
BCPC[S]	Light gray / Polycarbonate	Light gray / Glass fiber filled polycarbonate

■ Please suffix color code at the end of the product number.



BCAP Product no. / Dimensions

Product no.	W	D	H	Weight (g)	
				G	T
BCAP091207□	90	120	70	196	204
BCAP091208□	90	120	85	212	221
BCAP101507□	100	150	70	272	281
BCAP101508□	100	150	85	291	300
BCAP112107□	110	210	75	359	378
BCAP112110□	110	210	100	422	420
BCAP112607□	110	260	75	431	446
BCAP112610□	110	260	100.5	484	500
BCAP131508□	135	155	85	356	357
BCAP131808□	135	185	85.5	381	410
BCAP131810□	135	185	100.5	396	402
BCAP151509□	150	150	90	343	353
BCAP151512□	150	150	120.5	411	425
BCAP162110□	160	210	100	468	486
BCAP162113□	160	210	130	517	537
BCAP162610□	160	260	100	577	601
BCAP162613□	160	260	130	673	701
BCAP172211□	170	220	110.5	530	556
BCAP172711□	170	270	110.5	670	680
BCAP192810□	190	280	100.5	722	746
BCAP192814□	190	280	141	877	901
BCAP203013□	200	300	131.5	920	951
BCAP203015□	200	300	151.5	958	984
BCAP203018□	200	300	180.5	1,066	1,084
BCAP212110□	210	210	100	630	656
BCAP212113□	210	210	130	704	726
BCAP253515□	250	350	151	1,261	1,332
BCAP253518□	250	350	181.5	1,397	1,464
BCAP282813□	280	280	130.5	1,167	1,200
BCAP283813□	280	380	130	1,455	1,512
BCAP303015□	300	300	151	1,339	1,418
BCAP303018□	300	300	181	1,495	1,576
BCAP304012□	300	400	121	1,508	1,575
BCAP304015□	300	400	150	1,563	1,675
BCAP304018□	300	400	181	1,719	1,853
BCAP353515□	350	350	150	1,693	1,764
BCAP353518□	350	350	181	1,845	1,906
BCAP354512□	350	450	120	2,068	2,167
BCAP354516□	350	450	160	2,382	2,514
BCAP354520□	350	450	201	2,646	2,794
BCAP405016□	400	500	160	2,660	2,839
BCAP405020□	400	500	201	3,119	3,232
BCAP406018□	400	600	181	3,542	3,652
BCAP406023□	400	600	231	3,870	4,044
BCAP506018□	530	630	185	5,438	5,611
BCAP506025□	530	630	255	6,078	6,273
BCAP507018G	530	730	188	6,241	-
BCAP507025G	530	730	255	6,911	-
BCAP608018G	630	830	188	8,131	-
BCAP608028G	630	830	288	9,570	-

■ BCAP507018, 507025, 608018, 608028 models are only available as G color type.

BCPC Product no. / Dimensions

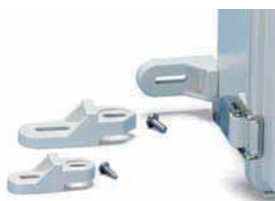
Product no.	W	D	H	Weight (g)
BCPC091207S	90	120	70	226
BCPC091208S	90	120	85	247
BCPC101507S	100	150	70	312
BCPC101508S	100	150	85	336
BCPC112107S	110	210	75	420
BCPC112110S	110	210	100	473
BCPC112607S	110	260	75	493
BCPC112610S	110	260	100.5	569
BCPC131508S	135	155	85	406
BCPC131808S	135	185	85.5	452
BCPC131810S	135	185	100.5	448
BCPC151509S	150	150	90	395
BCPC151512S	150	150	120.5	482
BCPC162110S	160	210	100	556
BCPC162113S	160	210	130	611
BCPC162610S	160	260	100	671
BCPC162613S	160	260	130	779
BCPC172211S	170	220	110.5	649
BCPC172711S	170	270	110.5	775
BCPC192810S	190	280	100.5	858
BCPC192814S	190	280	141	1,028
BCPC203013S	200	300	131.5	1,053
BCPC203015S	200	300	151.5	1,127
BCPC203018S	200	300	180.5	1,258
BCPC212110S	210	210	100	742
BCPC212113S	210	210	130	827
BCPC253515S	250	350	151	1,491
BCPC253518S	250	350	181.5	1,676
BCPC282813S	280	280	130.5	1,371
BCPC283813S	280	380	130	1,695
BCPC303015S	300	300	151	1,610
BCPC303018S	300	300	181	1,760
BCPC304012S	300	400	121	1,846
BCPC304015S	300	400	150	1,862
BCPC304018S	300	400	181	2,030
BCPC353515S	350	350	150	2,045
BCPC353518S	350	350	181	2,142
BCPC354512S	350	450	120	2,397
BCPC354516S	350	450	160	2,826
BCPC354520S	350	450	201	3,151
BCPC405016S	400	500	160	3,188
BCPC405020S	400	500	201	3,811
BCPC406018S	400	600	181	4,153
BCPC406023S	400	600	231	4,637
BCPC506018S	530	630	185	6,305
BCPC506025S	530	630	255	7,213
BCPC507018S	530	730	188	7,410
BCPC507025S	530	730	255	8,200
BCPC608018S	630	830	188	9,820
BCPC608028S	630	830	288	11,550

■ Refer to page 247 ~ 250 for detailed dimensions.

Accessories (Optional parts)



Mounting plate BMP series
See page 253 ~ 255



Mounting bracket CK • BFL series
See page 256



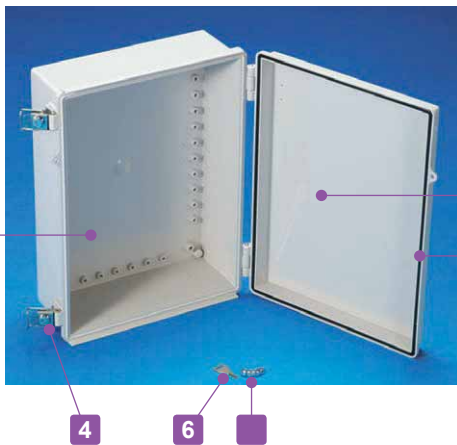
Pole mounting bracket SSK series
See page 257 ~ 258



Cable gland
See cable gland pages



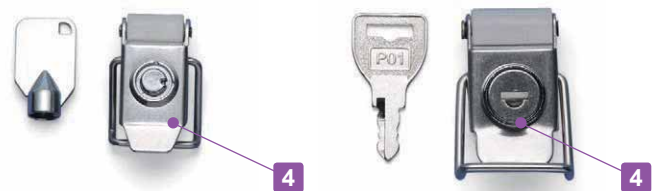
Ventilation part
See page 259 ~ 262



Technical Data

Protection class : IP65
Operating temperature : -20°C ~ +75°C

※Lock types vary according to box size.



Box size
BCPK091207 ~ 172711
BCPK212110 and 212113

Box size
BCPK192810 ~ 203018
BCPK253515 and 608028

- Lockable enclosure best used for tamper prevention in FA, control box, and network communication fields.
- BCPK polycarbonate box is resistant against heat and flames.
- Transparent type is not available for BCPK507018, 507025, 608018, and 608028 models.

Components

■ Box UL class = UL94V-0

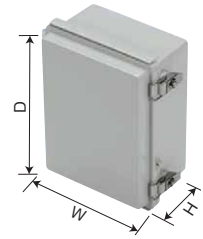
No.	Part name	Pcs	Material	Color / Finish
1	Top cover	1	Polycarbonate	Light gray • Transparent
2	Base	1	Glass fiber filled polycarbonate	Light gray
3	Gasket	1	Polyurethane	Black
4	Latch	1 ~ 3	Stainless steel	Unfinished
5	Screw	2 ~ 8	Steel	Trivalent chromate
6	Key	1 ~ 2	Diecast zinc • Brass	Chrome plated • Nickel plated

- Stainless steel mounting brackets are included together with the following models: 506018, 506025, 507018, 507025, 608018, and 608028.
- Quantity of keys provided vary by the number of locks present.

Color Type

Color code	Cover color / Material	Base color / Material
BCPK S	Light gray / Polycarbonate	Light gray / Glass fiber filled polycarbonate
NEW BCPK T	Transparent / Polycarbonate	Light gray / Glass fiber filled polycarbonate

■ Please suffix color code at the end of the product number.



Product no. / Dimensions

Product no.	W	D	H	Weight (g)	
				S	T
BCPK091207□	90	120	70	242	237
BCPK091208□	90	120	85	264	261
BCPK101507□	100	150	70	339	337
BCPK101508□	100	150	85	360	355
BCPK112107□	110	210	75	437	444
BCPK112110□	110	210	100	501	509
BCPK112607□	110	260	75	520	528
BCPK112610□	110	260	100.5	585	594
BCPK131508□	135	155	85	430	421
BCPK131808□	135	185	85.5	474	475
BCPK131810□	135	185	100.5	471	478
BCPK151509□	150	150	90	419	422
BCPK151512□	150	150	120.5	507	508
BCPK162110□	160	210	100	563	572
BCPK162113□	160	210	130	630	639
BCPK162610□	160	260	100	728	738
BCPK162613□	160	260	130	805	825
BCPK172211□	170	220	110.5	664	681
BCPK172711□	170	270	110.5	771	794
BCPK192810□	190	280	100.5	875	900
BCPK192814□	190	280	141	1,065	1,094
BCPK203013□	200	300	131.5	1,090	1,119
BCPK203015□	200	300	151.5	1,182	1,214
BCPK203018□	200	300	180.5	1,295	1,330
BCPK212110□	210	210	100	743	756
BCPK212113□	210	210	130	822	847
BCPK253515□	250	350	151	1,559	1,606
BCPK253518□	250	350	181.5	1,670	1,720
BCPK282813□	280	280	130.5	1,391	1,433
BCPK283813□	280	380	130	1,811	1,733
BCPK303015□	300	300	151	1,670	1,682
BCPK303018□	300	300	181	1,782	1,795
BCPK304012□	300	400	121	1,858	1,872
BCPK304015□	300	400	150	1,912	1,926
BCPK304018□	300	400	181	2,083	2,098
BCPK353515□	350	350	150	2,067	1,999
BCPK353518□	350	350	181	2,175	2,163
BCPK354512□	350	450	120	2,442	2,429
BCPK354516□	350	450	160	2,863	2,848
BCPK354520□	350	450	201	3,156	3,140
BCPK405016□	400	500	160	3,149	3,152
BCPK405020□	400	500	201	3,725	3,729
BCPK406018□	400	600	181	4,159	4,164
BCPK406023□	400	600	231	4,639	4,645
BCPK506018□	530	630	185	5,339	6,151
BCPK506025□	530	630	255	7,136	8,220
BCPK507018S	530	730	188	7,470	—
BCPK507025S	530	730	255	8,260	—
BCPK608018S	630	830	188	9,880	—
BCPK608028S	630	830	288	11,610	—

■ BCPK507018, 507025, 608018, 608028 models are only available as S color type. ■ Refer to page 247 ~ 250 for detailed dimensions.

Accessories (Optional parts)



Dust protection cap BCC series
See page 252

Mounting plate BMP series
See page 253 ~ 255

Mounting bracket CK • BFL series
See page 256

Cable gland
See page 265 ~ 272

Ventilation part
See page 259 ~ 262

BCAR SERIES

IP65 ABS PLASTIC BOX with OUTDOOR ROOF

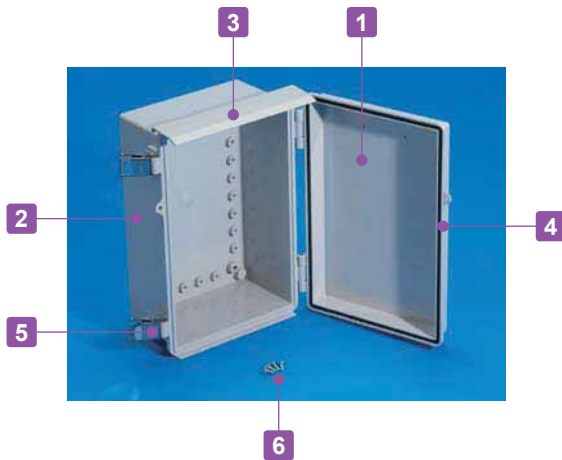
BCPR SERIES

IP65 POLYCARBONATE PLASTIC BOX with OUTDOOR ROOF



Technical Data

Protection class: IP65
 Operating temperature:
 BCAR -10°C ~ +60°C
 BCPR -20°C ~ +75°C



- Suitable for outdoor use by equipping easy snap-on roof attachment.
- 45 different sizes available.
- BCAR series is made of white gray ABS with 2 different cover type (white gray ABS and transparent polycarbonate).
- BCPR series is made of light gray UL94V-0 polycarbonate, which has good heat resistance properties.
- Transparent cover type is not available for BCAR507018, 507025, 608018, and 608028 models.

Components: BCAR series

■ Box UL class = UL94HB

No.	Part name	Pcs	Material	Color / Finish
1	Top cover	1	ABS • Polycarbonate	White gray • Transparent
2	Base	1	ABS	White gray
3	Roof	1	PVC	White gray
4	Gasket	1	Polyurethane	Black
5	Latch	1~3	Stainless steel	Unfinished
6	Screw	2~8	Steel	Trivalent chromate

■ Stainless steel mounting brackets are included together with the following models: 506018, 506025, 507018, 507025, 608018, and 608028.

Components: BCPR series

■ Box UL class = UL94V-0

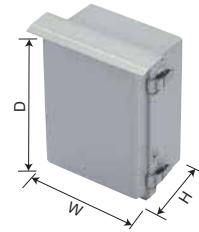
No.	Part name	Pcs	Material	Color / Finish
1	Top cover	1	Polycarbonate	Light gray
2	Base	1	Glass fiber filled polycarbonate	Light gray
3	Roof	1	PVC	Light gray
4	Gasket	1	Polyurethane	Black
5	Latch	1~3	Stainless steel	Unfinished
6	Screw	2~8	Steel	Trivalent chromate

■ Stainless steel mounting brackets are included together with the following models: 506018, 506025, 507018, 507025, 608018, and 608028.

Color Type

Code	Cover color / Material	Base color / Material
BCAR[G]	White gray / ABS	White gray / ABS
BCAR[T]	Transparent / Polycarbonate	White gray / ABS
BCPR[S]	Light gray / Polycarbonate	Light gray / Glass fiber filled polycarbonate

■ Please suffix color code at the end of the product number.



BCAR Product no. / Dimensions

Product no.	W	D	H	Weight (g)	
				G	T
BCAR091207□	90	120	70	213	220
BCAR091208□	90	120	85	228	237
BCAR101507□	100	150	70	291	300
BCAR101508□	100	150	85	309	318
BCAR112107□	110	210	75	379	398
BCAR112110□	110	210	100	442	440
BCAR112607□	110	260	75	451	466
BCAR112610□	110	260	100.5	504	519
BCAR131508□	135	155	85	379	381
BCAR131808□	135	185	85.5	404	434
BCAR131810□	135	185	100.5	420	426
BCAR162110□	160	210	100	495	513
BCAR162113□	160	210	130	544	564
BCAR162610□	160	260	100	605	629
BCAR162613□	160	260	130	701	729
BCAR172211□	170	220	110.5	560	586
BCAR172711□	170	270	110.5	700	710
BCAR192810□	190	280	100.5	755	778
BCAR192814□	190	280	141	909	933
BCAR203013□	200	300	131.5	957	989
BCAR203015□	200	300	151.5	995	1,022
BCAR203018□	200	300	180.5	1,104	1,122
BCAR212110□	210	210	100	666	692
BCAR212113□	210	210	130	740	762
BCAR253515□	250	350	151	1,307	1,378
BCAR253518□	250	350	181.5	1,443	1,510
BCAR282813□	280	280	130.5	1,218	1,251
BCAR283813□	280	380	130	1,506	1,563
BCAR303015□	300	300	151	1,393	1,472
BCAR303018□	300	300	181	1,549	1,630
BCAR304012□	300	400	121	1,562	1,629
BCAR304015□	300	400	150	1,617	1,729
BCAR304018□	300	400	181	1,773	1,907
BCAR353515□	350	350	150	1,757	1,827
BCAR353518□	350	350	181	1,908	1,970
BCAR354512□	350	450	120	2,140	2,239
BCAR354516□	350	450	160	2,454	2,586
BCAR354520□	350	450	201	2,718	2,866
BCAR506018□	530	630	185	5,564	5,737
BCAR506025□	530	630	255	6,203	6,399
BCAR507018G	530	730	188	6,366	—
BCAR507025G	530	730	255	7,037	—
BCAR608018G	630	830	188	8,279	—
BCAR608028G	630	830	288	9,719	—

■ BCAR507018, 507025, 608018, 608028 models are only available as G color type.

BCPR Product no. / Dimensions

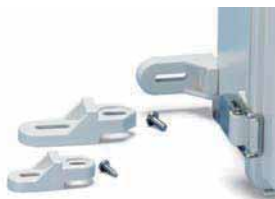
Product no.	W	D	H	Weight (g)
BCPR091207S	90	120	70	242
BCPR091208S	90	120	85	264
BCPR101507S	100	150	70	330
BCPR101508S	100	150	85	354
BCPR112107S	110	210	75	439
BCPR112110S	110	210	100	493
BCPR112607S	110	260	75	513
BCPR112610S	110	260	100.5	589
BCPR131508S	135	155	85	429
BCPR131808S	135	185	85.5	475
BCPR131810S	135	185	100.5	471
BCPR162110S	160	210	100	583
BCPR162113S	160	210	130	638
BCPR162610S	160	260	100	699
BCPR162613S	160	260	130	806
BCPR172211S	170	220	110.5	677
BCPR172711S	170	270	110.5	803
BCPR192810S	190	280	100.5	889
BCPR192814S	190	280	141	1,060
BCPR203013S	200	300	131.5	1,091
BCPR203015S	200	300	151.5	1,165
BCPR203018S	200	300	180.5	1,296
BCPR212110S	210	210	100	777
BCPR212113S	210	210	130	862
BCPR253515S	250	350	151	1,537
BCPR253518S	250	350	181.5	1,722
BCPR282813S	280	280	130.5	1,422
BCPR283813S	280	380	130	1,747
BCPR303015S	300	300	151	1,665
BCPR303018S	300	300	181	1,814
BCPR304012S	300	400	121	1,901
BCPR304015S	300	400	150	1,917
BCPR304018S	300	400	181	2,084
BCPR353515S	350	350	150	2,109
BCPR353518S	350	350	181	2,206
BCPR354512S	350	450	120	2,471
BCPR354516S	350	450	160	2,899
BCPR354520S	350	450	201	3,224
BCPR506018S	530	630	185	6,431
BCPR506025S	530	630	255	7,339
BCPR507018S	530	730	188	7,630
BCPR507025S	530	730	255	8,420
BCPR608018S	630	830	188	10,040
BCPR608028S	630	830	288	11,770

■ Refer to page 247 ~ 250 for detailed dimensions.

Accessories (Optional parts)



Mounting plate BMP series
See page 253 ~ 255



Mounting bracket CK • BFL series
See page 256



Pole mounting bracket SSK series
See page 257 ~ 258



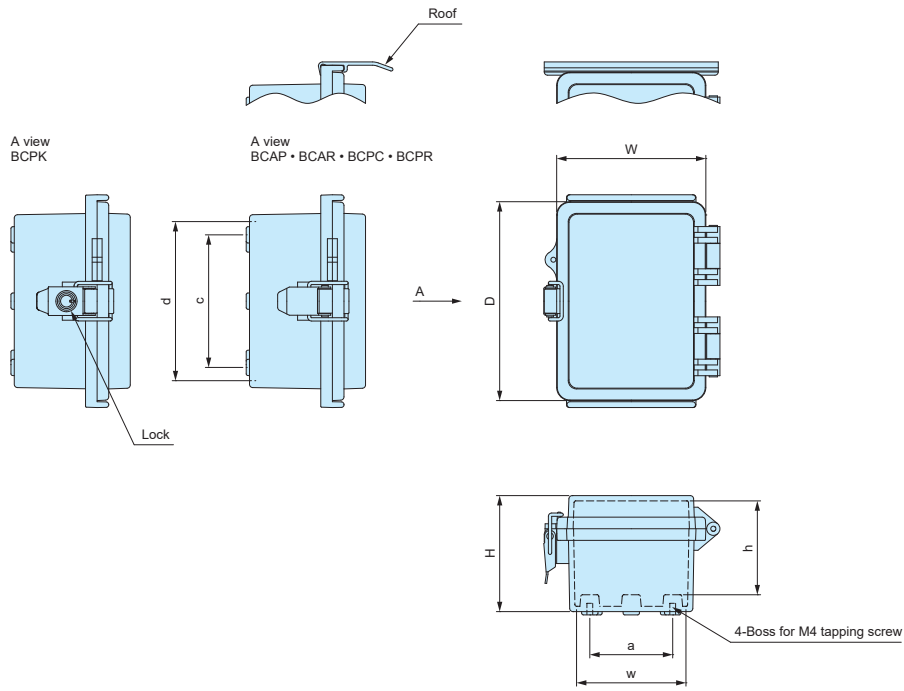
Cable gland
See cable gland pages

Ventilation part
See page 259 ~ 262

BCAP • BCAR • BCPC • BCPK • BCPR dimensions

■ Drawings below are reference examples only.
DXF/DWG/PDF drawings available on our website.

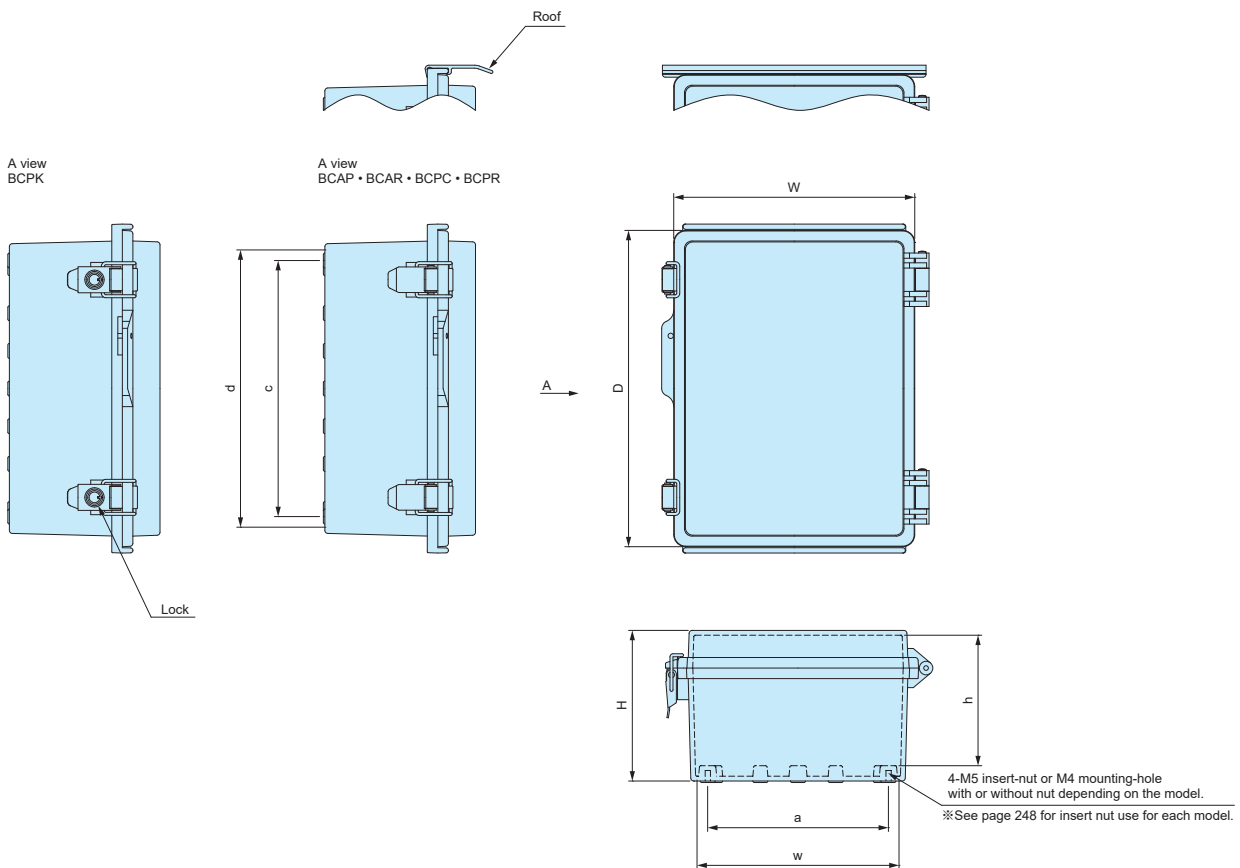
091207, 091208



Product no.	W	D	H	Available range			Bottom hole pitch	
				w	d	h	a	c
BCAP • R, BCPC • K • R091207	90	120	70	66	96	56.5	50	80
BCAP • R, BCPC • K • R091208	90	120	85	66	96	71.5	50	80

101507 ~ 405020

Not available for BCAR • BCPR 151509, 151512, 405016, and 405020 models.





■ Inner bosses vary according to box size.
Refer to DXF/DWG/PDF drawings for more details.

APPLICATION EXAMPLE



SURVEILLANCE VIDEO DATA CLOUD ROUTER

Product by LIVELOCK TECHNOLOGIES (Japan)

Product no.	W	D	H	Available range			Bottom hole pitch		Insert nut
				w	d	h	a	c	
BCAP・R, BCPC・K・R101507	100	150	70	76	126	56.5	60	110	without
BCAP・R, BCPC・K・R101508	100	150	85	75.5	125.5	71.5	60	110	without
BCAP・R, BCPC・K・R112107	110	210	75	85.8	185.8	61.5	70	170	without
BCAP・R, BCPC・K・R112110	110	210	100	84.9	184.9	86.5	70	170	without
BCAP・R, BCPC・K・R112607	110	260	75	85.8	235.8	61.5	70	220	without
BCAP・R, BCPC・K・R112610	110	260	100.5	85.1	234.9	87.2	70	220	without
BCAP・R, BCPC・K・R131508	135	155	85	110.5	130.5	71.5	95	115	without
BCAP・R, BCPC・K・R131808	135	185	85.5	110.4	160.4	72.2	95	145	without
BCAP・R, BCPC・K・R131810	135	185	100.5	110.4	160.4	87.1	95	145	without
BCAP, BCPC・K 151509	150	150	90	125.7	125.7	75.5	120	120	without
BCAP, BCPC・K 151512	150	150	120.5	124	124	106	117	117	without
BCAP・R, BCPC・K・R162110	160	210	100	134	184	86.6	120	170	without
BCAP・R, BCPC・K・R162113	160	210	130	134	184	116.5	120	170	without
BCAP・R, BCPC・K・R162610	160	260	100	135.1	235.1	86.6	120	220	without
BCAP・R, BCPC・K・R162613	160	260	130	134	234	116.6	120	220	without
BCAP・R, BCPC・K・R172211	170	220	110.5	144.9	194.9	96.1	132	182	without
BCAP・R, BCPC・K・R172711	170	270	110.5	144.9	244.9	96.1	132	232	without
BCAP・R, BCPC・K・R192810	190	280	100.5	165.3	255.3	84.1	148	238	with
BCAP・R, BCPC・K・R192814	190	280	141	164.2	254.2	124.6	148	238	with
BCAP・R, BCPC・K・R203013	200	300	131.5	173.5	273.5	115.1	152	252	with
BCAP・R, BCPC・K・R203015	200	300	151.5	173.5	273.5	135.1	152	252	with
BCAP・R, BCPC・K・R203018	200	300	180.5	172.4	272.3	164.1	152	252	with
BCAP・R, BCPC・K・R212110	210	210	100	185.1	185.1	86.6	170	170	without
BCAP・R, BCPC・K・R212113	210	210	130	184	184	116.6	170	170	without
BCAP・R, BCPC・K・R253515	250	350	151	222.5	322.5	135.3	206	306	with
BCAP・R, BCPC・K・R253518	250	350	181.5	222.5	322.5	165.8	206	306	with
BCAP・R, BCPC・K・R282813	280	280	130.5	254	254	113.6	238	238	with
BCAP・R, BCPC・K・R283813	280	380	130	254	354	113.6	238	338	with
BCAP・R, BCPC・K・R303015	300	300	151	273	273	134.3	256	256	with
BCAP・R, BCPC・K・R303018	300	300	181	272.5	272.5	164.3	256	256	with
BCAP・R, BCPC・K・R304012	300	400	121	274.1	374.6	104.6	252	352	with
BCAP・R, BCPC・K・R304015	300	400	150	273.5	373.5	133.6	252	352	with
BCAP・R, BCPC・K・R304018	300	400	181	272.5	372.5	164.6	252	352	with
BCAP・R, BCPC・K・R353515	350	350	150	323.6	323.6	133.6	302	302	with
BCAP・R, BCPC・K・R353518	350	350	181	322.5	322.5	164.6	302	302	with
BCAP・R, BCPC・K・R354512	350	450	120	316.7	416.7	103.5	302	402	with
BCAP・R, BCPC・K・R354516	350	450	160	308.7	414.7	142.6	302	402	with
BCAP・R, BCPC・K・R354520	350	450	201	306.9	412.8	183.6	302	402	with
BCAP, BCPC・K 405016	400	500	160	360.4	466.6	144	352	452	with
BCAP, BCPC・K 405020	400	500	201	359.4	465.5	184	352.5	452.5	with

BCAP • BCAR • BCPC • BCPK • BCPR dimensions

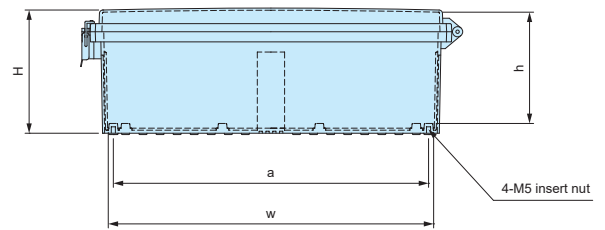
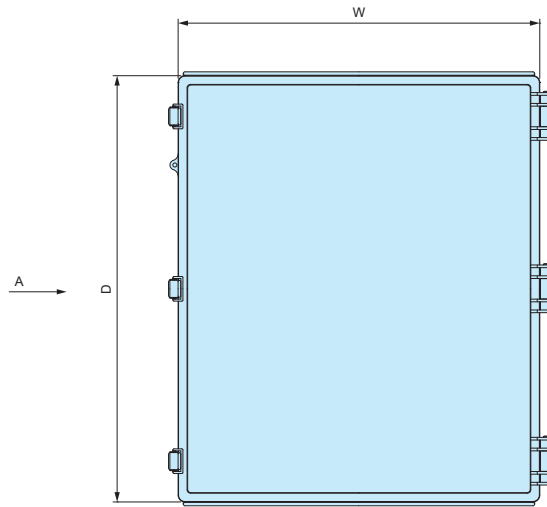
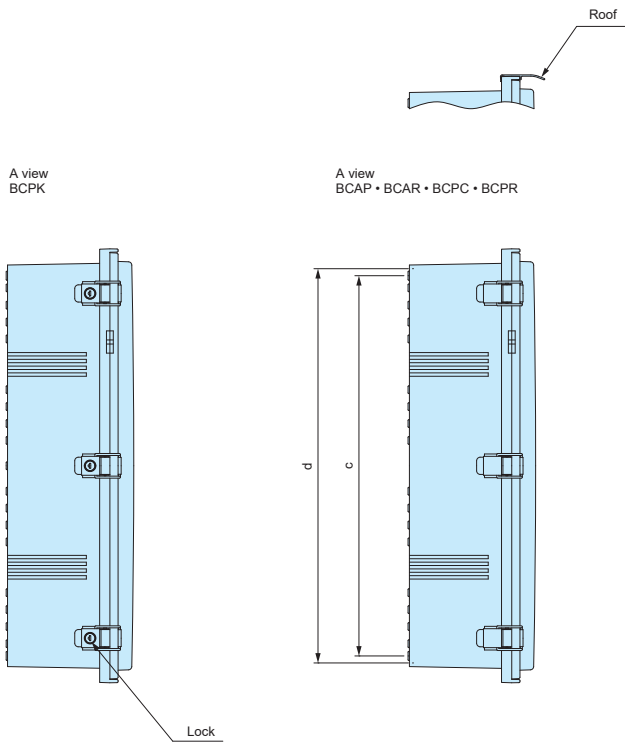
406018 ~ 507025

Not available for BCAR • BCPR 406018 and 406023 models.

■ Drawings below are reference examples only.
DXF/DWG/PDF drawings available on our website.



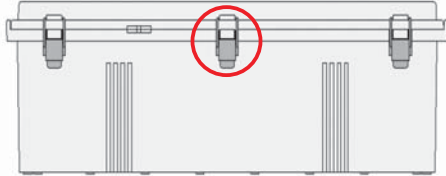
■ Inner bosses vary according to box size.
Refer to DXF/DWG/PDF drawings for more details.



Attention when locking the latch

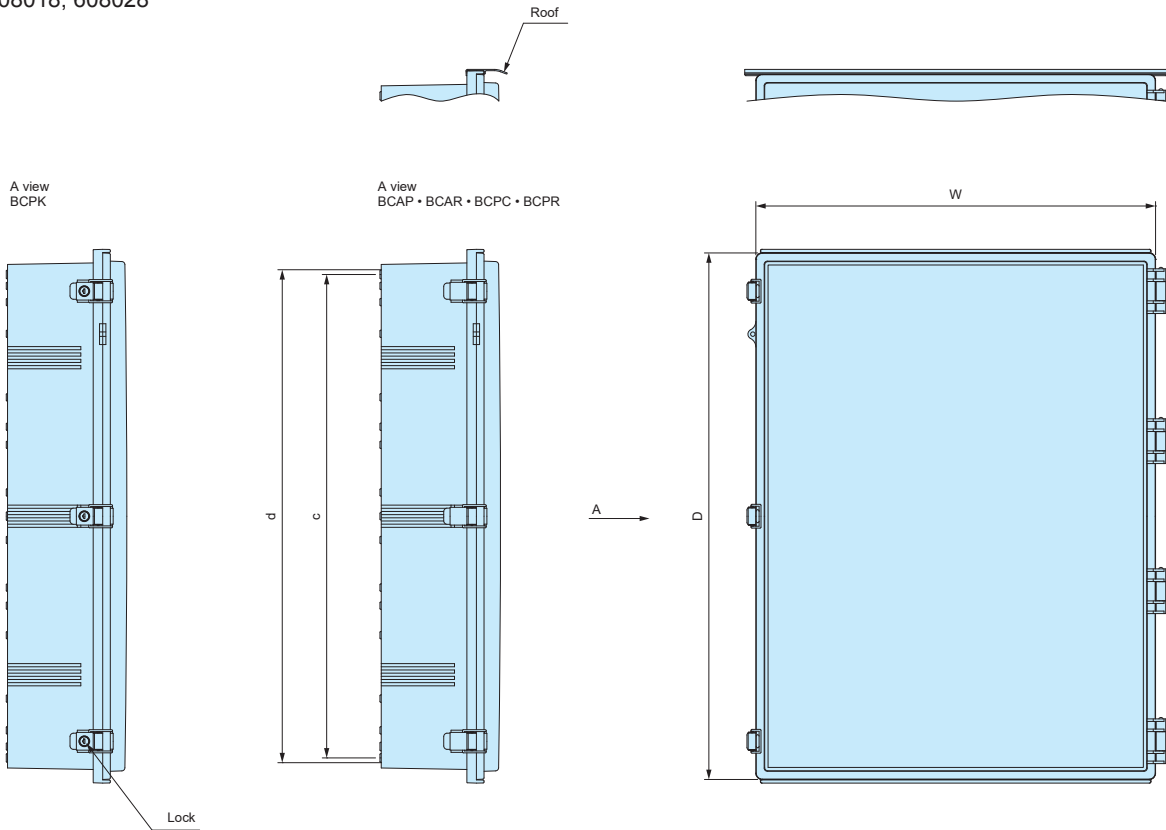
1. Close latches on both ends first.
 2. Close center latch next.
- ※ Closing the center latch first may create a non-watertight seal.

Center latch must be closed last!



Product no.	W	D	H	Available range			Bottom hole pitch	
				w	d	h	a	c
BCAP, BCPC • K 406018	400	600	181	358.6	565.9	163.8	352.5	552.5
BCAP, BCPC • K 406023	400	600	231	356.9	564.1	213.8	352	552.5
BCAP • R, BCPC • K • R506018	530	630	185	476.8	576.8	163.6	462	562
BCAP • R, BCPC • K • R506025	530	630	255	474.6	574.6	233.6	462	562
BCAP • R, BCPC • K • R507018	530	730	188	477	677	166.1	462	662
BCAP • R, BCPC • K • R507025	530	730	255	475	676.2	236	462	662

608018, 608028

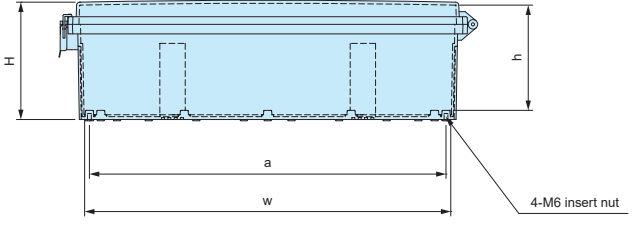


Attention when locking the latch

1. Close latches on both ends first.
2. Close center latch next.

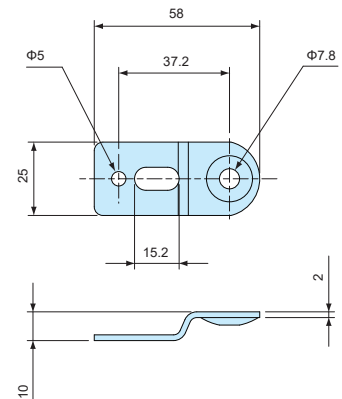
※ Closing the center latch first may create a non-watertight seal.

Center latch must be closed last!



Product no.	W	D	H	Available range			Bottom hole pitch	
				w	d	h	a	c
BCAP • R, BCPC • K • R608018	630	830	188	575	777	165.6	562	762
BCAP • R, BCPC • K • R608028	630	830	288	573.5	773.5	265.8	562	762

Included stainless steel mounting brackets for 506018, 506025, 507018, 507025, 608018 and 608028



Part name	Pcs	Material	Color / Finish
Mounting bracket	6	Stainless	Unfinished
Screw	6	Steel	Trivalent chromate

BRF SERIES

OUTDOOR ROOF



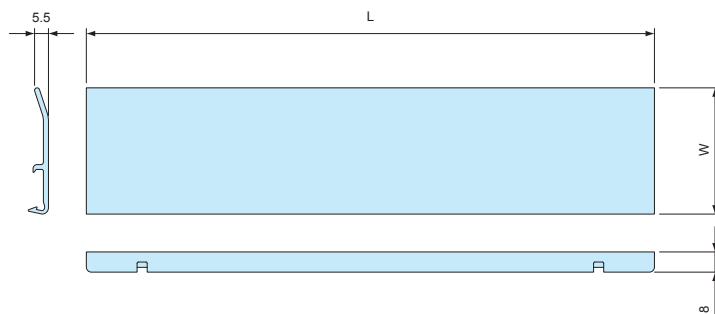
- Recommended to be used for outdoor environments for protection against rain etc.
- Snap-in easy installation.
- Available for BCAP and BCPC • BCPK series except 151509, 151512, 405016, 405020, 406018, and 406023 models.

Color Type

Color code	Material	Color / Finish	Suitable series
G	PVC	White gray / Unpainted	BCAP
S	PVC	Light gray / Painted	BCPC • BCPK

BRF dimensions

Roof for 091207 ~ 353518

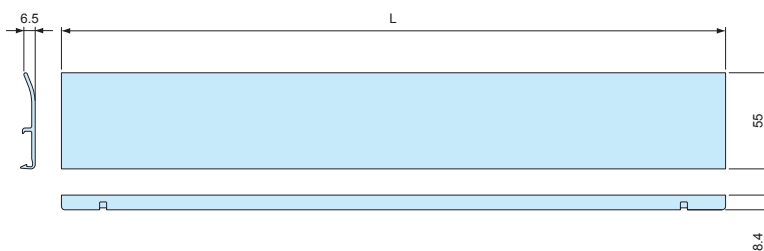


Product no. / Dimensions

■ Please suffix color code at the end of the product number.

Product no.	Suitable box	L	W
BRF- 90□	BCAP • BCPC • BCPK 091207 091208	105	45
BRF-100□	BCAP • BCPC • BCPK 101507 101508	115	45
BRF-110□	BCAP • BCPC • BCPK 112107 112110 112607 112610	125	45
BRF-135□	BCAP • BCPC • BCPK 131508 131808 131810	150	45
BRF-160□	BCAP • BCPC • BCPK 162110 162113 162610 162613	175	45
BRF-170□	BCAP • BCPC • BCPK 172211 172711	185	45
BRF-190□	BCAP • BCPC • BCPK 192810 192814	205	45
BRF-210□	BCAP • BCPC • BCPK 212110 212113	225	45
BRF-200□	BCAP • BCPC • BCPK 203013 203015 203018	225	50
BRF-250□	BCAP • BCPC • BCPK 253515 253518	275	50
BRF-280□	BCAP • BCPC • BCPK 282813 283813	305	50
BRF-300□	BCAP • BCPC • BCPK 303015 303018 304012 304015 304018	325	50
BRF-350□	BCAP • BCPC • BCPK 353515 353518	375	50

Roof for 354512 ~ 354520



Product no. / Dimensions

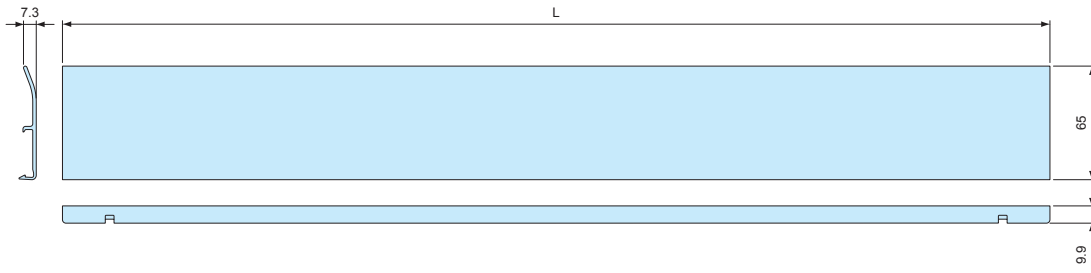
■ Please suffix color code at the end of the product number.

Product no.	Suitable box	L
BRF-350L□	BCAP • BCPC • BCPK 354512 354516 354520	380

■ S color type is light gray painted.

Roof for 506018 ~ 608028

Accessories (Optional parts)



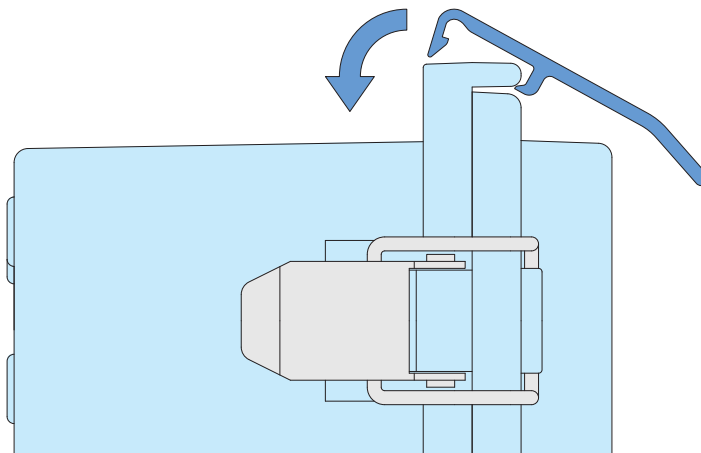
Product no. / Dimensions

■ Please suffix color code at the end of the product number.

Product no.	Suitable box	L
BRF-530□	BCAP • BCPC • BCPK 506018 506025 507018 507025	565
BRF-630□	BCAP • BCPC • BCPK 608018 608028	665

■ S color type is light gray painted.

- How to install BRF outdoor roof.
Refer to illustration.



BCC-1

DUST PROTECTION CAP



- Prevent dust and other foreign material entry.
- Protection against corrosion on key hole part in environments such as coastal areas.
- When ordering, please ensure that the quantity required corresponds to the number of latches on your selected enclosure.

Product no. / Dimensions

Product no.	Material	Color	Sales unit
BCC-1	Silicone	Black	1 pc

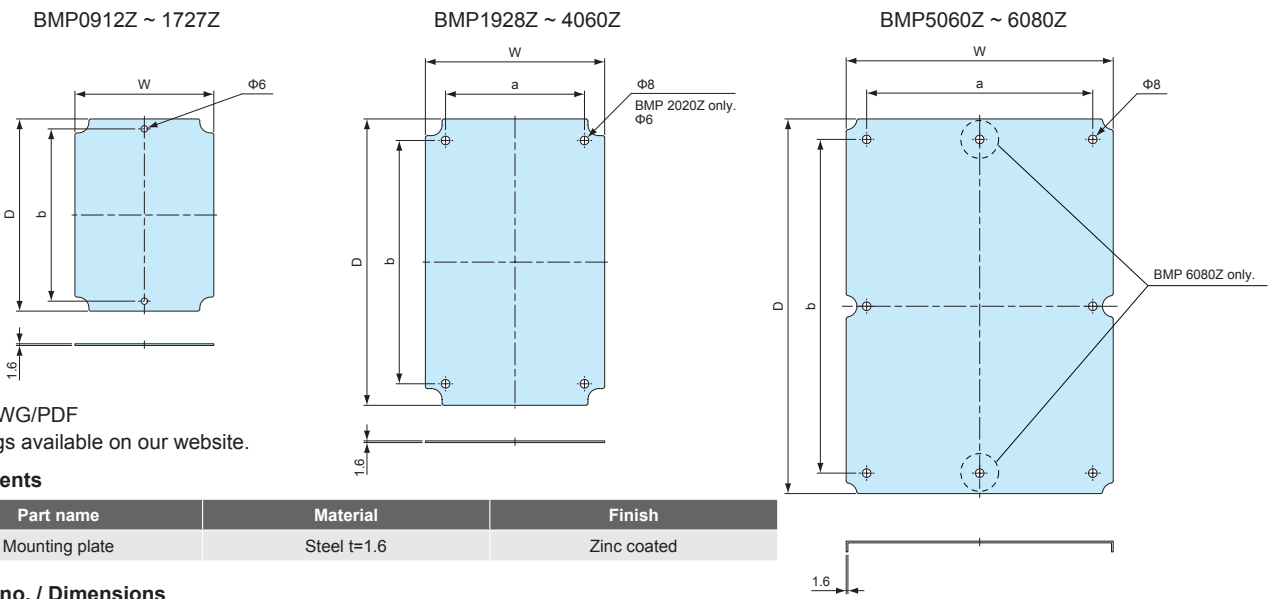
Suitable Box

Suitable box	Required
BCPK192810 ~ 203018, 253515 ~ 405020	2 pcs
BCPK406018 ~ 608028	3 pcs

■ Not suitable for BCPK 212110, 212113, 172711, and smaller models.

BMP-Z SERIES **STEEL MOUNTING PLATE**

- Tough but easily customizable.
- Large sized (BMP5060Z, 5070Z and 6080Z) plates have a 90° bent edge.
- Customization services (machining, punch press or clinching nut insertion) are available. See website for more details.



■ DXF/DWG/PDF drawings available on our website.

Components

Part name	Material	Finish
Mounting plate	Steel t=1.6	Zinc coated

Product no. / Dimensions

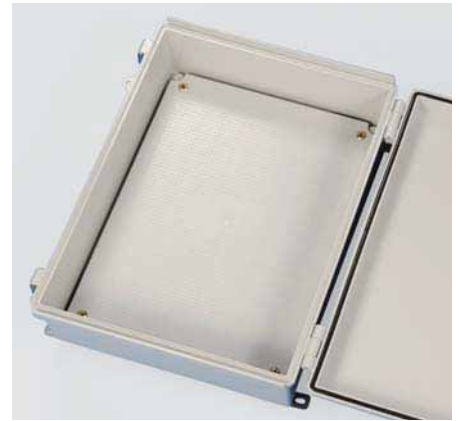
Product no.	W	D	a	b	Suitable box	Weight (g)
BMP0912Z	58	88	-	69	BCAP • R, BCPC • K • R 091207, 091208	53
BMP0813Z	68	118	-	99	BCAP • R, BCPC • K • R 101507, 101508	87
BMP1121Z	77	177	-	158	BCAP • R, BCPC • K • R 112107, 112110	159
BMP1126Z	77	227	-	208	BCAP • R, BCPC • K • R 112607, 112610	210
BMP1315Z	102	122	-	110	BCAP • R, BCPC • K • R 131508	141
BMP1217Z	102	152	-	140	BCAP • R, BCPC • K • R 131808, 131810	180
BMP1515Z	121	121	-	110	BCAP BCPC • K 151509, 151512	172
BMP1520Z	126	176	-	160	BCAP • R, BCPC • K • R 162110, 162113	262
BMP1525Z	127	227	-	210	BCAP • R, BCPC • K • R 162610, 162613	346
BMP1722Z	137	187	-	160	BCAP • R, BCPC • K • R 172211	308
BMP1727Z	137	237	-	210	BCAP • R, BCPC • K • R 172711	391
BMP1928Z	157	247	120	210	BCAP • R, BCPC • K • R 192810, 192814	462.5
BMP2020Z	176	176	120	150	BCAP • R, BCPC • K • R 212110, 212113	371
BMP2030Z	165	265	129	226	BCAP • R, BCPC • K • R 203013, 203015, 203018	519
BMP2535Z	215	315	180	270	BCAP • R, BCPC • K • R 253515, 253518	816
BMP2828Z	246	246	210	210	BCAP • R, BCPC • K • R 282813	727.5
BMP2838Z	246	346	210	310	BCAP • R, BCPC • K • R 283813	1,018
BMP3030Z	264	264	219	219	BCAP • R, BCPC • K • R 303015, 303018	826.5
BMP3040Z	265	365	228	325	BCAP • R, BCPC • K • R 304012, 304015, 304018	1,154
BMP3535Z	315	315	270	270	BCAP • R, BCPC • K • R 353515, 353518	1,196.5
BMP3545Z	301	401	274	365	BCAP • R, BCPC • K • R 354512, 354516, 354520	1,443
BMP4050Z	354	454	328	428	BCAP BCPC • K 405016, 405020	1,998
BMP4060Z	354	551	328	525	BCAP BCPC • K 406018, 406023	2,328
BMP5060Z	474	574	426	526	BCAP • R, BCPC • K • R 506018, 506025	3,286
BMP5070Z	472	672	426	626	BCAP • R, BCPC • K • R 507018, 507025	3,864
BMP6080Z	565	765	526	726	BCAP • R, BCPC • K • R 608018, 608028	5,288.5

■ K = BCPK series / R = BCAR • BCPR series

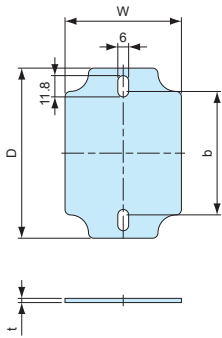
BMP-P SERIES

PLASTIC MOUNTING PLATE

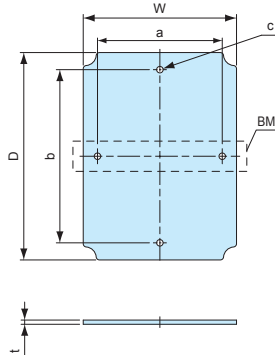
- Lightweight ABS plastic mounting plate.
- Flat plate: BMP0811P ~ BMP1515P
Ribbed plate: BMP1520P ~ BMP4050P
- DXF/DWG/PDF drawings available on our website.



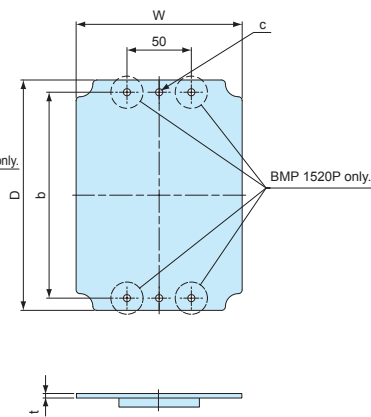
BMP0811P (Flat)



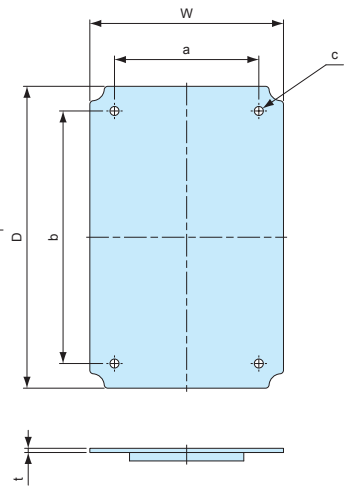
BMP0813P, 1515P (Flat)



BMP1520P, 1525P (Ribbed)



BMP1928P ~ 4050P (Ribbed)



Components

Part name	Material	Color
Mounting plate	ABS	White gray

Product no. / Dimensions

Product no.	W	D	a	b	t	c (Φ)	Suitable box	Weight (g)
BMP0811P	64.5	94.3	-	68.4	3.5	-	BCAP • R, BCPC • K • R 091207, 091208	21
BMP0813P	64.5	114.5	-	99	3	Φ6	BCAP • R, BCPC • K • R 101507, 101508	24
BMP1121P	76.5	176	-	158	3	Φ6	BCAP • R, BCPC • K • R 112107, 112110	40
BMP1126P	76.5	226	-	208	3	Φ6	BCAP • R, BCPC • K • R 112607, 112610	53
BMP1315P	101.5	121.5	-	110	3.5	Φ5.5	BCAP • R, BCPC • K • R 131508	36
BMP1217P	109.5	160	-	140	4	Φ6	BCAP • R, BCPC • K • R 131808, 131810	62
BMP1515P	123	123	110	110	3.5	Φ6	BCAP BCPC • K 151509, 151512	52
BMP1520P	129	179	-	160	3.5	Φ5.5	BCAP • R, BCPC • K • R 162110, 162113, 172211	92
BMP1525P	129	228.5	-	210	3.5	Φ6	BCAP • R, BCPC • K • R 162610, 162613, 172711	112
BMP1928P	158.5	248	120	210	3.5	Φ8	BCAP • R, BCPC • K • R 192810, 192814	162
BMP2020P	178.5	178.5	120	150	3.5	Φ5.5	BCAP • R, BCPC • K • R 212110, 212113	125
BMP2030P	166.5	266	128	225.5	4	Φ8	BCAP • R, BCPC • K • R 203013, 203015, 203018	188
BMP2535P	215.5	315	180	268.5	4	Φ8	BCAP • R, BCPC • K • R 253515, 253518	292
BMP2828P	248.5	248.5	210	210	4	Φ8	BCAP • R, BCPC • K • R 282813	237
BMP2838P	248	347.5	209	309.5	4	Φ8	BCAP • R, BCPC • K • R 283813	368
BMP3030P	262.5	262.5	219	219	4	Φ7.5	BCAP • R, BCPC • K • R 303015, 303018	281
BMP3040P	264.5	364	227	323	4	Φ8	BCAP • R, BCPC • K • R 304012, 304015, 304018	437
BMP3535P	313.5	313.5	269.5	269.5	4	Φ8	BCAP • R, BCPC • K • R 353515, 353518	424.5
BMP3545P	305	405.5	273	364	4	Φ8	BCAP • R, BCPC • K • R 354512, 354516, 354520	539
BMP4050P	357	457	328	428	4	Φ8.5	BCAP BCPC • K 405016, 405020	725.5

■ K = BCPK series / R = BCAR • BCPR series



TAKACHI ELECTRONICS ENCLOSURE CO., LTD.

3-21-16 Higashi-ryoke, Kawaguchi-shi, Saitama, 332-0003 JAPAN

Tel. +81-48-222-5409 / Fax. +81-48-222-7652

November 11, 2019

Notice

BMP-P series Plastic Mounting Plate Changes to Underside (bottom) Shape

■ Affected models

Product Number	Status
BMP0811P	Pending (est. 2nd Quarter 2020)
BMP0818P	Pending (est. 2nd Quarter 2020)
BMP1126P	Pending (est. 3rd Quarter 2020)
BMP1212P	Pending (est. 2nd Quarter 2020)
BMP1217P	Changed

■ Changes : Underside shape/construction

Current shape



New shape

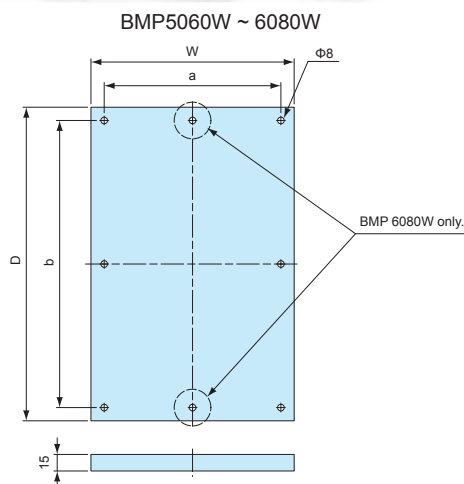
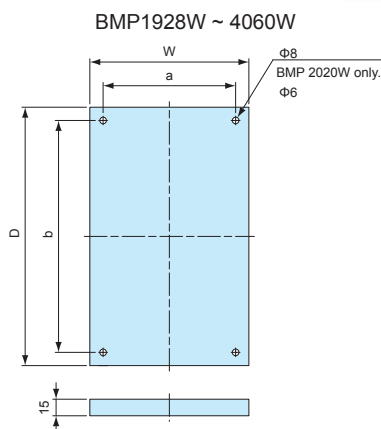
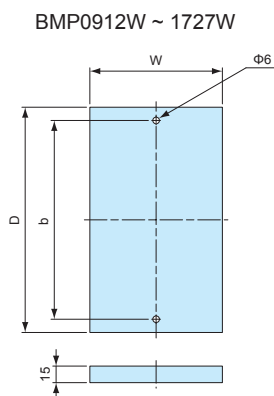


- Purpose : For the reinforcement and strengthening of small-sized plastic mounting plate(s).
- Effective date : Once present stock has run out.
- Note : There will be no changes to product number, color, or pricing.

BMP-W SERIES

WOODEN MOUNTING PLATE

- Easy installation with tapping screws.
- Easily customizable hard wooden plate.
- Plate comes with scales printed on for easy references.
- DXF/DWG/PDF drawings available on our website.



Components

Part name	Pcs	Material	Color / Finish
Mounting plate	1	Wood board t=15	Scaled sheet
Screw	2 ~ 8	Steel	Trivalent chromate

Product no. / Dimensions

Product no.	W	D	a	b	Suitable box	Screw	Weight (g)
BMP0912W	58	92	-	69	BCAP • R, BCPC • K • R 091207, 091208	M4-20 × 2 pcs	62
BMP0813W	68	122	-	99	BCAP • R, BCPC • K • R 101507, 101508	M4-20 × 2 pcs	94
BMP1121W	77	181	-	158	BCAP • R, BCPC • K • R 112107, 112110	M4-20 × 2 pcs	166
BMP1126W	77	231	-	208	BCAP • R, BCPC • K • R 112607, 112610	M4-20 × 2 pcs	191
BMP1315W	102	126	-	110	BCAP • R, BCPC • K • R 131508	M4-20 × 2 pcs	127
BMP1217W	102	156	-	140	BCAP • R, BCPC • K • R 131808, 131810	M4-20 × 2 pcs	190
BMP1515W	118	125	-	110	BCAP BCPC • K 151509, 151512	M4-20 × 2 pcs	172
BMP1520W	126	180	-	160	BCAP • R, BCPC • K • R 162110, 162113	M4-20 × 2 pcs	243
BMP1525W	127	231	-	210	BCAP • R, BCPC • K • R 162610, 162613	M4-20 × 2 pcs	352
BMP1722W	137	191	-	160	BCAP • R, BCPC • K • R 172211	M4-20 × 2 pcs	286
BMP1727W	137	241	-	210	BCAP • R, BCPC • K • R 172711	M4-20 × 2 pcs	212
BMP1928W	150	240	120	210	BCAP • R, BCPC • K • R 192810, 192814	M5-20 × 4 pcs	350
BMP2020W	170	174	120	150	BCAP • R, BCPC • K • R 212110, 212113	M4-20 × 4 pcs	336
BMP2030W	159	256	129	226	BCAP • R, BCPC • K • R 203013, 203015, 203018	M5-20 × 4 pcs	482
BMP2535W	210	300	180	270	BCAP • R, BCPC • K • R 253515, 253518	M5-20 × 4 pcs	688
BMP2828W	240	240	210	210	BCAP • R, BCPC • K • R 282813	M5-20 × 4 pcs	565
BMP2838W	240	340	210	310	BCAP • R, BCPC • K • R 283813	M5-20 × 4 pcs	893
BMP3030W	249	249	219	219	BCAP • R, BCPC • K • R 303015, 303018	M5-20 × 4 pcs	659
BMP3040W	258	355	228	324	BCAP • R, BCPC • K • R 304012, 304015, 304018	M5-20 × 4 pcs	965
BMP3535W	300	300	270	270	BCAP • R, BCPC • K • R 353515, 353518	M5-20 × 4 pcs	964
BMP3545W	301	395	274	365	BCAP • R, BCPC • K • R 354512, 354516, 354520	M5-20 × 4 pcs	1,314
BMP4050W	355	455	328	428	BCAP BCPC • K 405016, 405020	M5-20 × 4 pcs	1,754
BMP4060W	355	552	328	525	BCAP BCPC • K 406018, 406023	M5-20 × 4 pcs	2,015.5
BMP5060W	456	556	426	526	BCAP • R, BCPC • K • R 506018, 506025	M5-20 × 6 pcs	2,650
BMP5070W	456	656	426	626	BCAP • R, BCPC • K • R 507018, 507025	M5-20 × 6 pcs	3,152.5
BMP6080W	556	756	526	726	BCAP • R, BCPC • K • R 608018, 608028	M5 / M6-20 × 8 pcs	4,434

■ K = BCPK series / R = BCAR • BCPR series

BFL SERIES

PLASTIC MOUNTING BRACKET



Color G Color S

- 2 different colored type to match box colors.
- Tough and strong glass fiber filled polycarbonate.

Color Type

Color	Color Name	Compatible Models
G	White gray	BCAP • BCAR
S	Light gray	BCPC • BCPK • BCPR

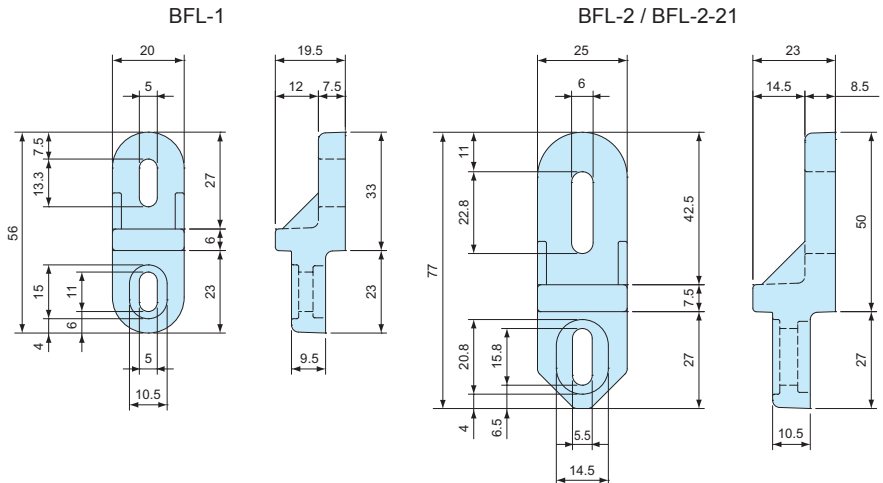
Components

Part name	Pcs	Material / Finish
Mounting bracket	4	Glass fiber filled polycarbonate
Screw	4	Stainless steel / Unfinished

Product no. / Dimensions

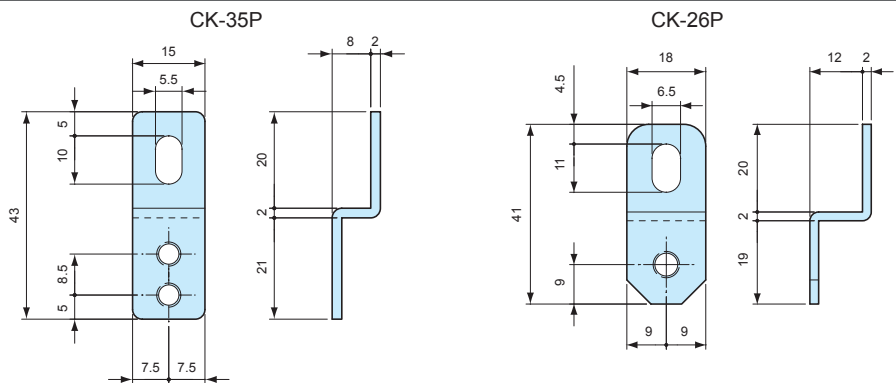
Product no.	Suitable box	Screw
BFL-1□	BCAP • R, BCPC • K • R 0912, 1015, 1121, 1126, 1315, 1318, 1621, 1626, 1722, 1727, 212113	M4-12
BFL-2□	BCAP • R, BCPC • K • R 1928, 2030, 2535, 2828, 2838, 3030, 3040, 3535, 3545, 4050, 4060, 5060	M5-12
BFL-2-21□	BCAP • R, BCPC • K • R 212110	M4-12

- Please suffix color code at the end of the product number.
- ※Not suitable for BCAP1515 model. Use CK-35P (Stainless steel) instead.



CK SERIES

STAINLESS STEEL MOUNTING BRACKET



Components

Part name	Pcs	Material	Finish
Mounting bracket	4	Stainless steel	Barrel finish
Screw	4	Stainless steel	Unfinished

Product no. / Dimensions

Product no.	Suitable box	Screw
CK-35P	BCAP • R, BCPC • K • R 0912, 1015, 1121, 1126, 1315, 1318, 1515, 1621, 1626, 1722, 1727, 2121	M4-10
CK-26P	BCAP • R, BCPC • K • R 1928, 2030, 2535, 2828, 2838, 3030, 3040, 3535, 3545, 4050, 4060	M5-10

MT SERIES

PCB MOUNTING SCREW

- PCB mounting screws for inner bosses of BCAP • BCAR • BCPC • BCPK • BCPR series.

Product no. / Dimensions

Product no.	Material	Finish	Pack of
MT4-8T	Steel M4	Trivalent chromate	20
MT5-8T	Steel M5	Trivalent chromate	20



Suitable Box

Product no.	Suitable box	Weight / Torque
MT4-8T	BCAP • R, BCPC • K • R 0912, 1015, 1121, 1126, 1315, 1318, 1515, 1621, 1626, 1722, 1727, 1928, 2121	7kgf • cm (0.7N • m)
MT5-8T	BCAP • R, BCPC • K • R 2030, 2535, 2828, 2838, 3030, 3040, 3535, 3545, 4050, 4060, 5060, 5070, 6080	14kgf • cm (1.4N • m)

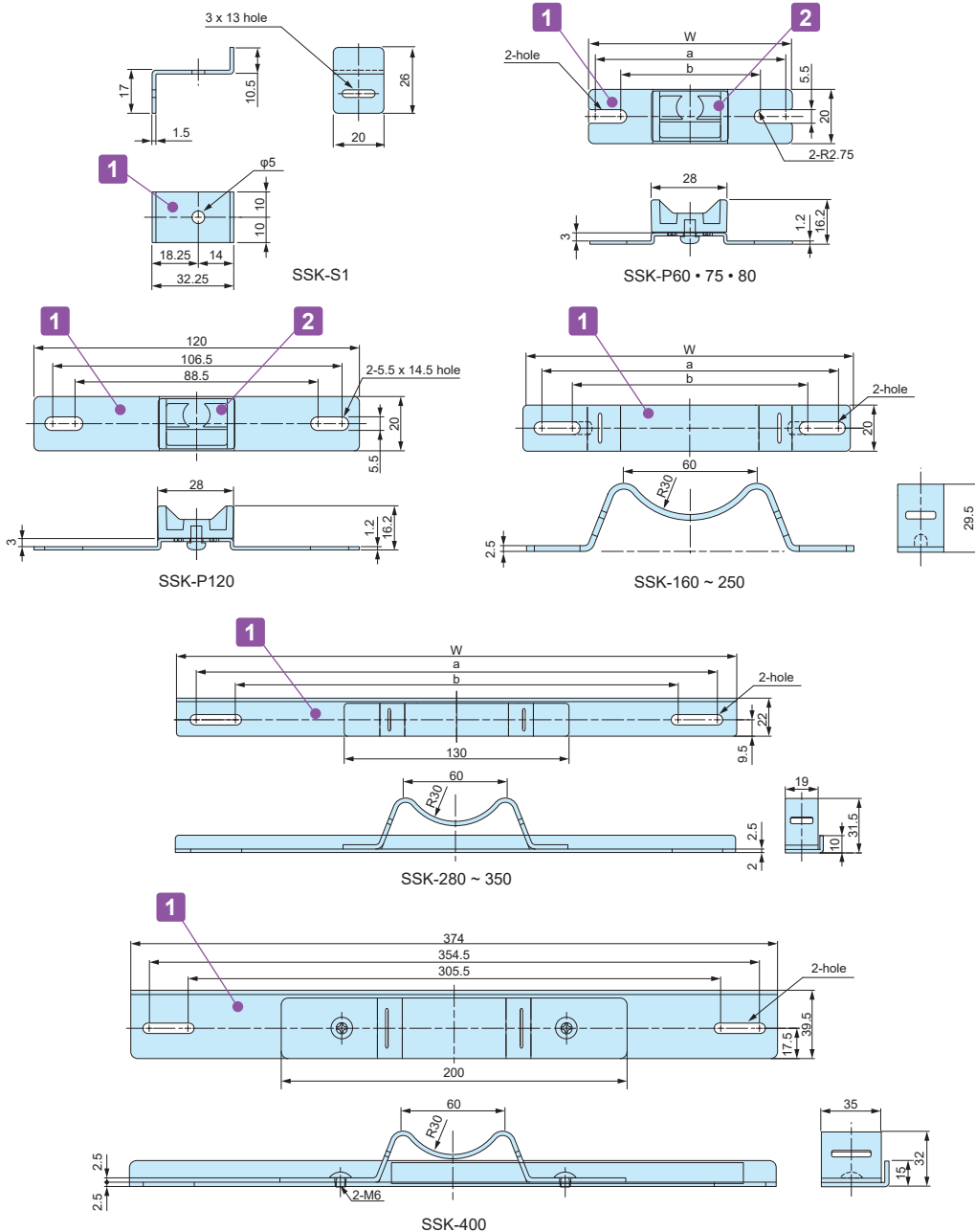
SSK SERIES

POLE MOUNTING BRACKET



- Stainless steel pole mounting bracket for BCAP • BCAR and BCPC • BCPK • BCPR series.
- No hole milling is required for maintaining the IP rating of the enclosure.
- Use PKB mounting belt to install onto a pole (See page 258 for PKB series).
- DXF/DWG/PDF drawings available on our website.

SSK dimensions



APPLICATION EXAMPLE

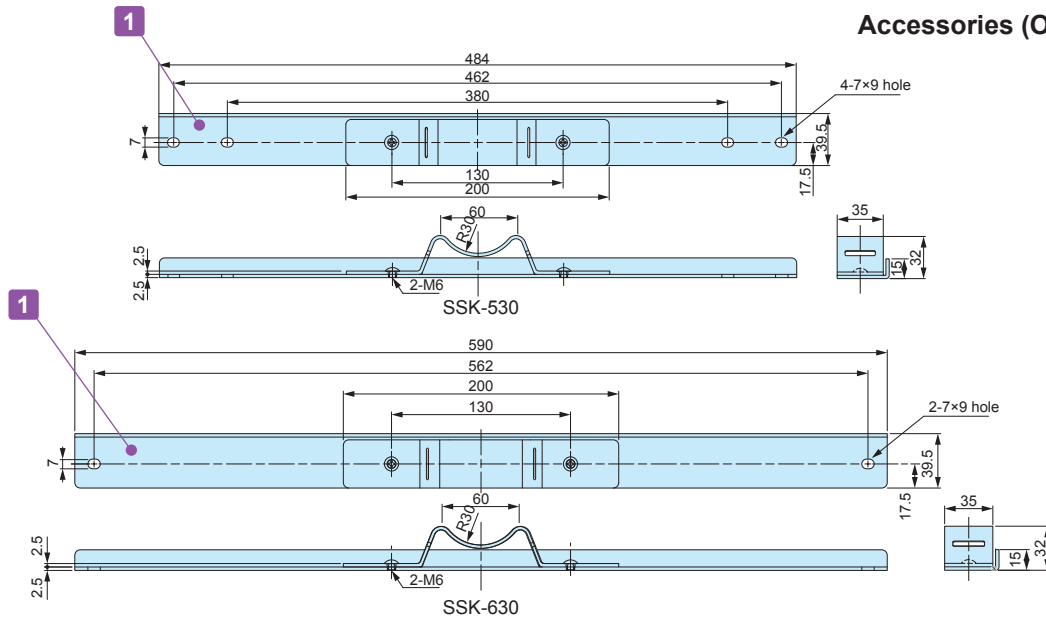


WEATHER STATION DATA LOGGER
Product by Sakaki Corporation (Japan)



WATER LEVEL DETECTOR
Product by Aspect System (Japan)

Accessories (Optional parts)



Components

No.	Part name	Pcs	Material	Color / Finish
1	Bracket	2 / 4	Stainless Steel SUS304	Barrel finish
2	Plastic bracket (SSK-P type only)	2	ASA UL94HB	White gray (RAL7035)
-	Screw	4	Stainless Steel SUS304	Unfinished

Product no. / Dimensions

Product no.	W	a	b	c	Box size	Belt to use with	Pack of
SSK-S1	32.25	18.25	14	-	0912, 1015, 1121, 1126, 1315, 1318, 1621, 1626, 1722, 1727, 2121	PKB-10P, PKB-10S	4
SSK-P60	60	54.5	46.5	5.5×9	0912	PKB-10P, PKB-10S	2
SSK-P75	75	69.5	53.5	5.5×12.5	1015	PKB-10P, PKB-10S	2
SSK-P80	80	74.5	64.5	5.5×10.5	1121, 1126	PKB-10P, PKB-10S	2
SSK-P120	120	106.5	88.5	5.5×14.5	1315, 1318	PKB-10P, PKB-10S	2
SSK-160	142	129.5	101	-	1515, 1621, 1626	PKB-10P, PKB-10S	2
SSK-170	152	142.3	101	-	1722, 1727	PKB-10P, PKB-10S	2
SSK-200	174	161.5	112.5	-	1928, 2030	PKB-10P, PKB-10S	2
SSK-210	192	180.5	131.5	-	2121	PKB-10P, PKB-10S	2
SSK-250	230	215.5	166.5	-	2535	PKB-10P, PKB-10S	2
SSK-280	260	244.5	195.5	-	2828, 2838	PKB-10P, PKB-10S	2
SSK-300	280	264.5	215.5	-	3030, 3040	PKB-10P, PKB-10S	2
SSK-350	324	302.5	253.5	-	3535, 3545	PKB-10P, PKB-10S	2
SSK-400	374	354.5	305.5	-	4050, 4060	PKB-20S	2
SSK-530	484	462	380	7×9	5060, 5070	PKB-20S	2
SSK-630	590	562	-	7×9	6080	PKB-20S	2

PKB SERIES

POLE MOUNTING BELT



PKB-10PM, 10P

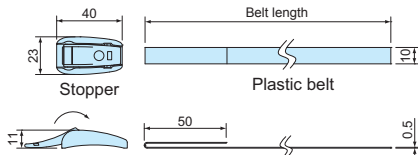


PKB-10S, 20S

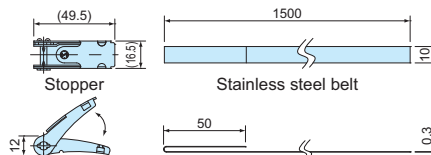
- New shorter belt type PKB-10PM is available for Φ25 to Φ60mm poles. Other belt types are for Φ60 to Φ400mm poles.
- Designed for one time use only (not reusable).
- Strong stainless steel clamping type and easy installation plastic type are available.
- Use SSK mounting bracket for installation onto a pole.

■ Drawings below are reference examples only.
DXF/DWG/PDF drawings available on our website.

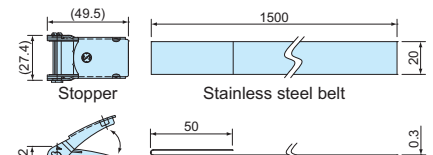
PKB-10PM, 10P



PKB-10S



PKB-20S



Components

Part name	Pcs	Material	Color / Finish
Stopper	2	POM • Stainless steel SUS304	Black • Barrel finish
Belt	2	PET • Stainless steel SUS430	Gray • Bright annealed finish

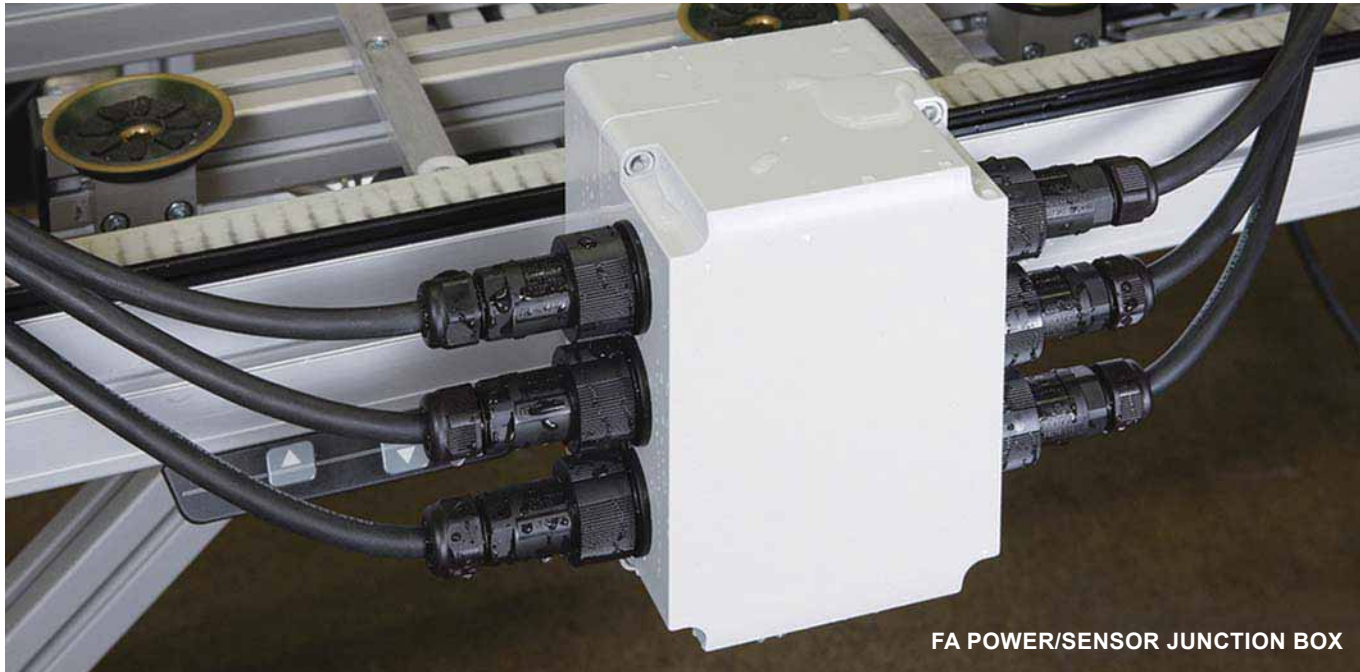
Product no. / Dimensions

Product no.	W	D	H	a	b	Belt material	Belt length	Tensile strength (horizontal)	Weight (g)	Pack of
NEW PKB-10PM	24	23	11	10	0.5	PET	500mm	0.8kN	14	2
PKB-10P	23	40	11	10	0.5	PET	1,500mm	1.3kN	31.8	2
PKB-10S	(16.5)	(49.5)	12	10	0.3	Stainless steel	1,500mm	1.4kN	101.6	2
PKB-20S	(27.4)	(49.5)	12	20	0.3	Stainless steel	1,500mm	2.9kN	182.2	2

IP67 POLYCARBONATE BOX

SPCP · SPCM SERIES APPLICATION EXAMPLE

Made from polycarbonate material, the SPCP · SPCM series features not only high durability, but also comes with IP67 protection. Suitable to be used in a wide range of applications, such as FA/control, measurement equipment, network communication and so on.



FA POWER/SENSOR JUNCTION BOX

INDUSTRIAL MOTOR JUNCTION BOX



AUTOMATIC DOOR OPEN/CLOSE SWITCH



DIGITAL DIFFERENTIAL MANOMETER

Product by KRONE CORPORATION (Japan)



PARTS FEEDER COUNTER



REMOTE GREENHOUSE MONITORING SYSTEM

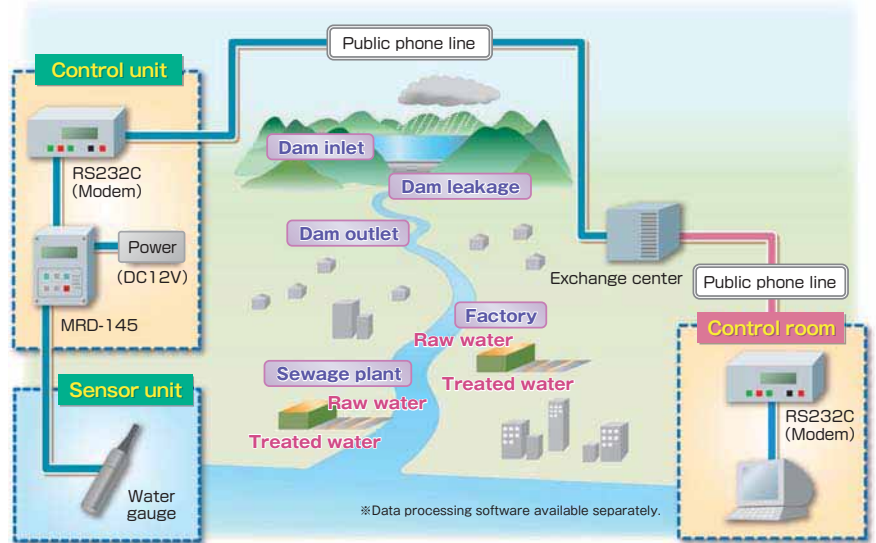


METEOROLOGICAL MONITOR



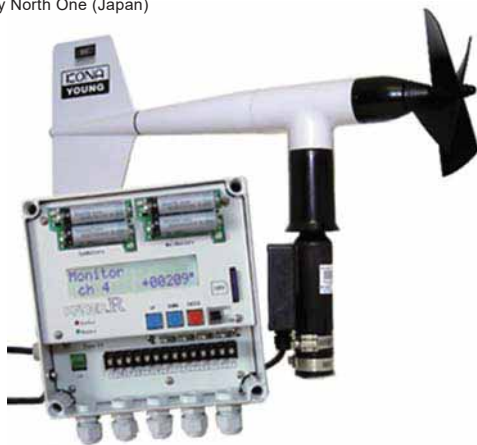
WATER LEVEL METER

Product by HOKUTO RIKEN (Japan)



DIGITAL ANEMOMETER

Product by North One (Japan)



SENSOR NETWORK MONITOR

Product by KYOSAITECHNOS (Japan)



FIELD DATA LOGGER

Product by M.C.S (Japan)



MONITORING CAMERA

Product by ACE PROMOTION (Japan)



SPCP SERIES

IP67 POLYCARBONATE BOX



Technical Data

Protection class: IP67
 Operating temperature: -20°C ~ +75°C
 Recommended torque: 1N • m ~ 1.5N • m



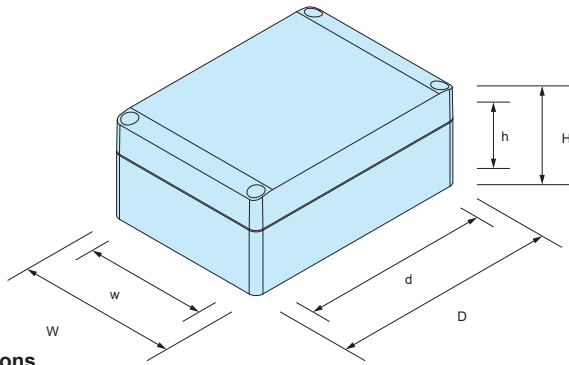
- Tough polycarbonate material for superior impact resistance.
- Available in 28 different sizes, with 2 different cover types (white gray and transparent).
- Suitable to be used as terminal junction box, control box, communication unit and so on.
- Mountable on walls by using the cover holes for fastening.

Components

No.	Part name	Pcs	Material	Color / Finish
1	Cover	1	Polycarbonate UL94V-2	White gray • Transparent
2	Body	1	Glass fiber filled polycarbonate UL94V-0	White gray
3	Gasket	1	Polyurethane	Black
4	Cover screw	4	Polyamide	White gray
5	Tapping screw (for mounting plate)	4	Steel	Unichrome plated

SPCP dimensions

■ Drawings below are reference examples only.
DXF/DWG/PDF drawings available on our website.



Product no. / Dimensions

Product no.				Dimensions (External)			Dimensions (Internal)			Weight (g)
G type		T type		W	D	H	w	d	h	
Cover	Body	Cover	Body							
● White gray		○ Transparent	● White gray							
SPCP081304G		SPCP081304T		75	125	35	65.5	91	20.5	120
SPCP081305G		SPCP081305T		75	125	50	65.5	91	35.5	150
SPCP081306G		SPCP081306T		75	125	60	65.5	91	45.5	161
SPCP081308G		SPCP081308T		75	125	75	65.5	91	60.5	213
SPCP081310G		SPCP081310T		75	125	100	65	90.5	85.5	278
SPCP081313G		SPCP081313T		75	125	125	64.5	90	110.5	306
SPCP101004G		SPCP101004T		100	100	35	90.5	66	20.5	124
SPCP101006G		SPCP101006T		100	100	60	90.5	66	45.5	165
SPCP131304G		SPCP131304T		125	125	35	115.5	91	20.5	178
SPCP131305G		SPCP131305T		125	125	50	115.5	91	35.5	215
SPCP131306G		SPCP131306T		125	125	60	115.5	91	45.5	243
SPCP131308G		SPCP131308T		125	125	75	115.5	91	60.5	294
SPCP131310G		SPCP131310T		125	125	100	115	90.5	85.5	366
SPCP131313G		SPCP131313T		125	125	125	114.5	90	110.5	405
SPCP131804G		SPCP131804T		125	175	35	115.5	141	20.5	237
SPCP131805G		SPCP131805T		125	175	50	115.5	141	35.5	282
SPCP131806G		SPCP131806T		125	175	60	115.5	141	45.5	297
SPCP131808G		SPCP131808T		125	175	75	115.5	141	60.5	378
SPCP131810G		SPCP131810T		125	175	100	115	140.5	85.5	463
SPCP131813G		SPCP131813T		125	175	125	115	140.5	110.5	531
SPCP131815G		SPCP131815T		125	175	150	114	139.5	135.5	600
SPCP181808G		SPCP181808T		175	175	75	165.5	141	60.5	475
SPCP181810G		SPCP181810T		175	175	100	165	140.5	85.5	584
SPCP181813G		SPCP181813T		175	175	125	164.5	140	110.5	652
SPCP181815G		SPCP181815T		175	175	150	164	139.5	135.5	738
SPCP182508G		SPCP182508T		175	250	75	165.5	216	60.5	637
SPCP182510G		SPCP182510T		175	250	100	165	215.5	85.5	754
SPCP182515G		SPCP182515T		175	250	150	164	214.5	135.5	959

Accessories (Optional parts)

				
Terminal block • Terminal cover STB • STC series See page STB • STC-1 ~ STB • STC-4	Mounting bracket SFL-1 See page SPCM • SPCP-ACC-1	Mounting plate SMP series See page SPCM • SPCP-ACC-1	Cable gland See cable gland pages	Protective vent PMF series See PMF pages
				
DIN-Rail FDR series See page FDR-1 ~ FDR-2	Terminal block stopper TKR series See page DIN-ACC-2	DIN-Rail mounting base DRA, DRT, CKD series See page DIN-ACC-1 ~ DIN-ACC-2	Pole mounting bracket & belt SSK, PKB series See page SSK-1 ~ SSK-4	Outdoor roof SR series See page SPCM • SPCP-ACC-2

SPCM SERIES

IP67 POLYCARBONATE BOX with METRIC KNOCK-OUTS

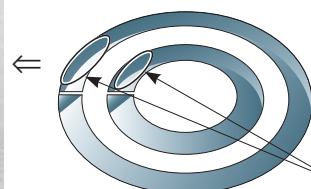


Technical Data

Protection class: IP67
 Operating temperature: -20°C ~ +75°C
 Recommended torque: 1N • m ~ 1.5N • m



- Tough polycarbonate material for superior impact resistance.
- Available in 21 different sizes, with 2 different cover types (white gray and transparent).
- Molded with metric knock-outs for easy removal for cable entry.
- Suitable to be used as terminal junction box, control box, communication unit and so on.
- Mountable on walls by using the cover holes for fastening.



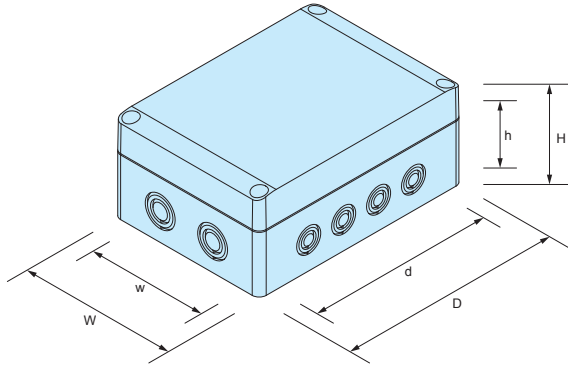
- To knock out the hole covers, rest a flathead screwdriver at the "A" points, and punch out the knock-outs by hammering on the rear end of the screwdriver handle with a hammer.

Components

No.	Part name	Pcs	Material	Color / Finish
1	Cover	1	Polycarbonate UL94V-2	White gray • Transparent
2	Body	1	Glass fiber filled polycarbonate UL94V-0	White gray
3	Gasket	1	Polyurethane	Black
4	Cover screw	4	Polyamide	White gray
5	Tapping screw (for mounting plate)	4	Steel	Unichrome plated

SPCM dimensions

■ Drawings below are reference examples only.
DXF/DWG/PDF drawings available on our website.



※Metric knock-outs are on all 4 sides.

Product no. / Dimensions

Product no.				Dimensions (External)			Dimensions (Internal)			Weight (g)
G type		T type		W	D	H	w	d	h	
Cover	Body	Cover	Body							
● White gray		○ Transparent	● White gray							
SPCM081306G			SPCM081306T	75	125	60	65.5	91	45.5	159
SPCM081308G			SPCM081308T	75	125	75	65.5	91	60.5	208
SPCM081310G			SPCM081310T	75	125	100	65	90.5	85.5	275
SPCM081313G			SPCM081313T	75	125	125	64.5	90	110.5	299
SPCM101006G			SPCM101006T	100	100	60	90.5	66	45.5	164
SPCM131306G			SPCM131306T	125	125	60	115.5	91	45.5	243
SPCM131308G			SPCM131308T	125	125	75	115.5	91	60.5	292
SPCM131310G			SPCM131310T	125	125	100	115	90.5	85.5	366
SPCM131313G			SPCM131313T	125	125	125	114.5	90	110.5	401
SPCM131806G			SPCM131806T	125	175	60	115.5	141	45.5	294
SPCM131808G			SPCM131808T	125	175	75	115.5	141	60.5	373
SPCM131810G			SPCM131810T	125	175	100	115	140.5	85.5	450
SPCM131813G			SPCM131813T	125	175	125	115	140.5	110.5	519
SPCM131815G			SPCM131815T	125	175	150	114	139.5	135.5	588
SPCM181808G			SPCM181808T	175	175	75	165.5	141	60.5	468
SPCM181810G			SPCM181810T	175	175	100	165	140.5	85.5	569
SPCM181813G			SPCM181813T	175	175	125	164.5	140	110.5	639
SPCM181815G			SPCM181815T	175	175	150	164	139.5	135.5	723
SPCM182508G			SPCM182508T	175	250	75	165.5	216	60.5	633
SPCM182510G			SPCM182510T	175	250	100	165	215.5	85.5	745
SPCM182515G			SPCM182515T	175	250	150	164	214.5	135.5	946

Accessories (Optional parts)



Terminal block • Terminal cover STB • STC series
See page STB • STC-1 ~ STB • STC-4



Mounting bracket SFL-1
See page SPCM • SPCP-ACC-1



Mounting plate SMP series
See page SPCM • SPCP-ACC-1



Cable gland
See cable gland pages



Protective vent PMF series
See PMF pages



DIN-Rail FDR series
See page FDR-1 ~ FDR-2



Terminal block stopper TKR series
See page DIN-ACC-2

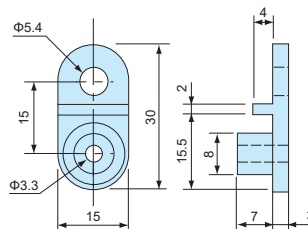
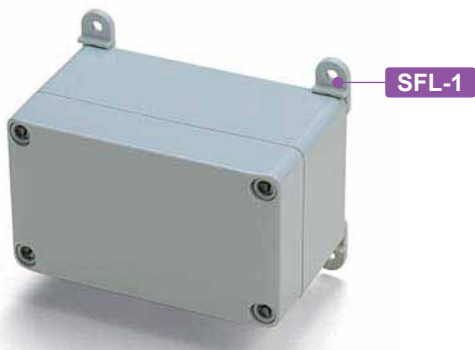


Pole mounting bracket & belt SSK, PKB series
See page SSK-1 ~ SSK-4



Outdoor roof SR series
See page SPCM • SPCP-ACC-2

SFL-1 PLASTIC MOUNTING BRACKET



Product no. / Feature

Product no.	Material	Screw	Pcs
SFL-1	Polycarbonate	M4 Tapping	4

SMS4-8 MOUNTING SCREW



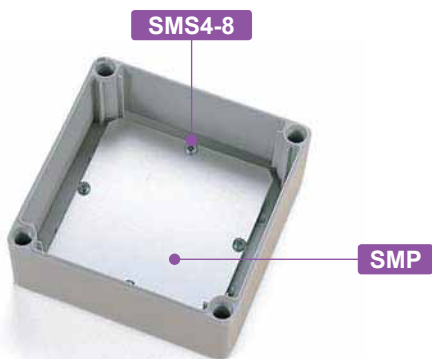
- Mounting screws for PCB mounting on SPCP • SPCM series.
※1 set included with each SPCP • SPCM enclosure.

Product no. / Feature

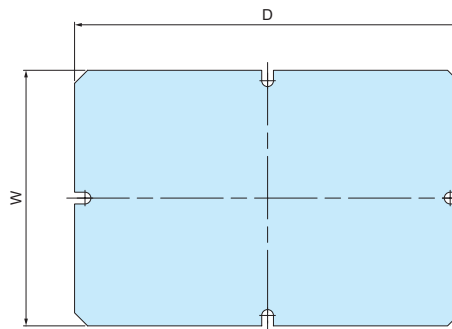
Product no.	Material	Screw	Pcs
SMS4-8 (M4-8 Pan head tapping)	Steel	Trivalent chromate	4

SMP SERIES ALUMINIUM MOUNTING PLATE

SMP dimensions



- Drawings below are reference examples only.
DXF/DWG/PDF drawings available on our website.



Product no. / Dimensions

Product no.	Suitable box	W	D	Weight (g)
SMP0813	SPCM • SPCP0813	48	98	18
SMP1010	SPCM • SPCP1010	78	78	24
SMP1313	SPCM • SPCP1313	98	98	40.5
SMP1318	SPCM • SPCP1318	98	148	61
SMP1818	SPCM • SPCP1818	148	148	93
SMP1825	SPCM • SPCP1825	148	223	140.5

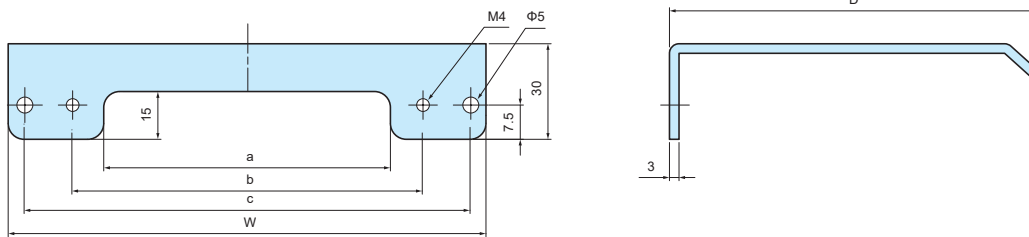
- Customization services (clinchng standoffs, hole milling, and others) available.
See website for more details.



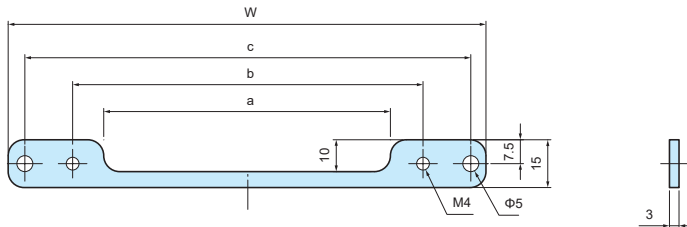


- Roof and spacer attachments are easily attached onto the enclosure using existing cover fastening holes.
- Recommended for outdoor environments for protection against rain, etc.

Roof



Spacer



Components

No.	Part name	Pcs	Material	Color / Finish
1	Roof	1	Aluminium A1050P t = 3.0mm	Light gray / Painted
2	Spacer	1	Aluminium A1050P t = 3.0mm	Light gray / Painted
-	Screw	4	Stainless steel	Unfinished
-	O-ring	4	NBR	Black

Product no. / Dimensions

Product no.	W	D	a	b	c	Suitable box
SR0808	100	90	50	60	90	SPCM • SPCP 081308
SR0810	100	115	50	60	90	SPCM • SPCP 081310
SR0813	100	140	50	60	90	SPCM • SPCP 081313
SR1308	150	90	90	110	140	SPCM • SPCP 131308 131808
SR1310	150	115	90	110	140	SPCM • SPCP 131310 131810
SR1313	150	140	90	110	140	SPCM • SPCP 131313 131813
SR1315	150	165	90	110	140	SPCM • SPCP 131815
SR1808	200	90	140	160	190	SPCM • SPCP 181808 182508
SR1810	200	115	140	160	190	SPCM • SPCP 181810 182510
SR1813	200	140	140	160	190	SPCM • SPCP 181813
SR1815	200	165	140	160	190	SPCM • SPCP 181815 182515

STB SERIES

TERMINAL BLOCK

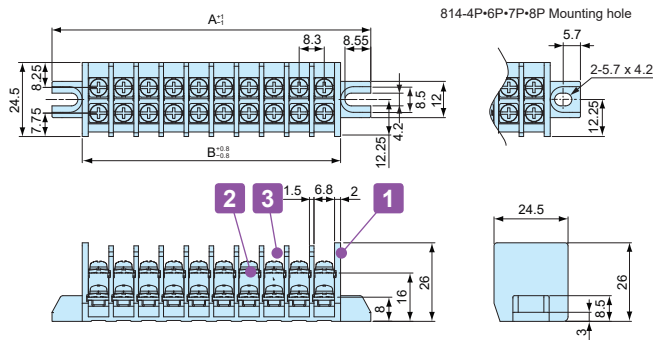


■ Terminal block for SPCM • SPCP series.

Components

No.	Part name	Pcs	Material	Color / Finish
1	Base	1	PBT (UL94V-0)	Black
2	Terminal	1	Brass	Nickel plated
3	Terminal screw	2 x P	Steel	Nickel plated
-	Mounting screw	4	Steel	Trivalent chromate

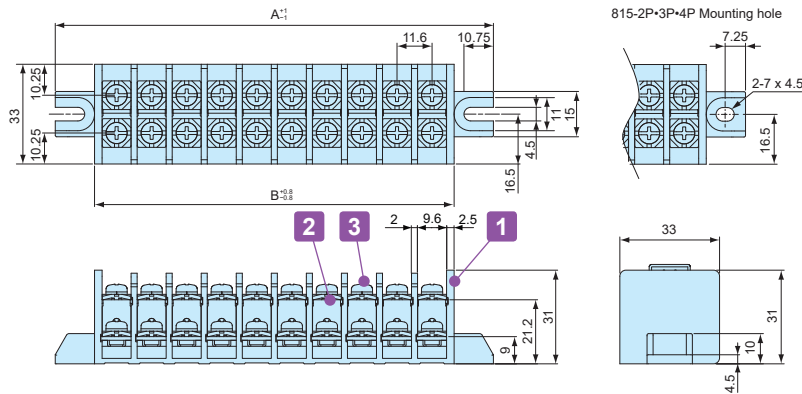
STB-814



Specification

1. Electrical Rating 300V 30A
2. Insulation Resistance DC500V 1000MΩ ~
3. Withstand Voltage AC2500V (Tested for 1 min.)
4. Operating Temp. Range -25°C ~ +80°C
5. Storage Temp. Range -25°C ~ +80°C

STB-815



Specification

1. Electrical Rating 300V 30A
(600V 30A JIS IEC compliant)
2. Insulation Resistance DC500V 1000MΩ ~
3. Withstand Voltage AC2500V (Tested for 1 min.)
4. Operating Temp. Range -25°C ~ +80°C
5. Storage Temp. Range -25°C ~ +80°C

Product no. / Dimensions

Product no.	P (Number of poles)	A	B	Suitable SPCM • SPCP box W x D dimensions
STB814- 3P	3	47.4	27.4	75×125
STB814- 4P	4	55.7	35.7	100×100
STB814- 6P	6	72.3	52.3	175×175
STB814- 7P	7	80.6	60.6	100×100
STB814- 8P	8	88.9	68.9	75×125, 125×125
STB814- 9P	9	97.2	77.2	125×125, 125×175, 175×250
STB814-10P	10	105.5	85.5	125×175, 175×250
STB815- 2P	2	52.2	26.2	75×125
STB815- 3P	3	63.8	37.8	100×100
STB815- 4P	4	75.4	49.4	125×125
STB815- 6P	6	98.6	72.6	125×125, 125×175, 175×250
STB815-10P	10	145	119	175×175, 175×250

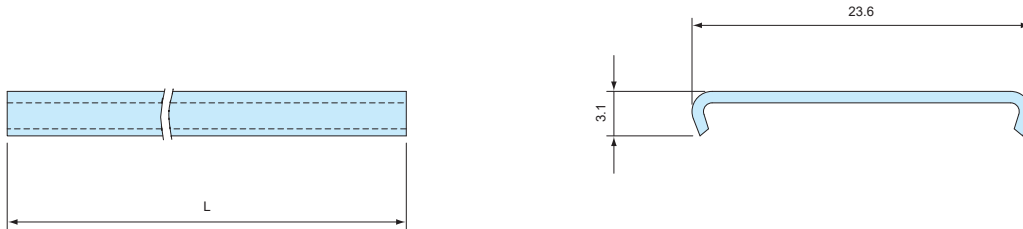
STC SERIES

TERMINAL COVER

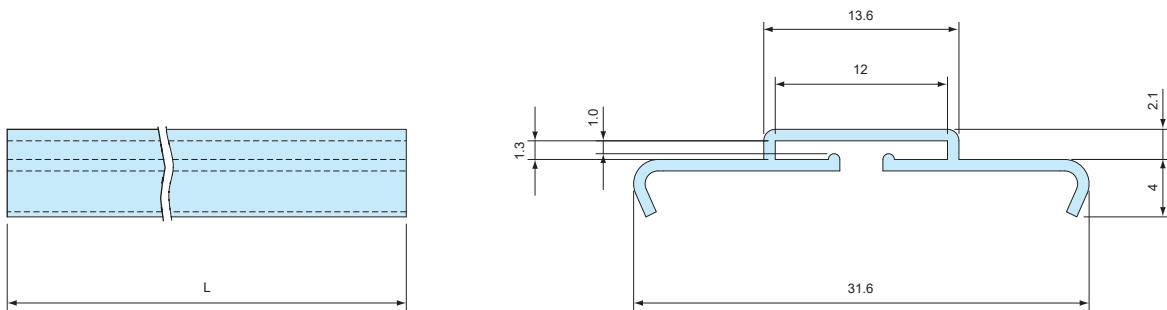


- Terminal cover for STB terminal block.
- Use for protecting terminals.

STC814



STC815



■ Material / Color : Polycarbonate t=0.8mm / Transparent

Product no. / Dimensions

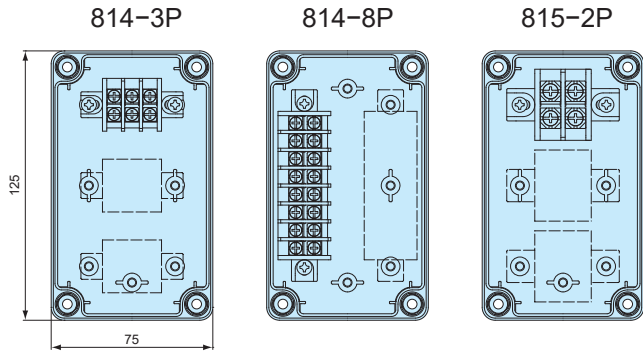
Product no.	P (Number of poles)	L	Compatible terminal
STC814- 3P	3	22.4	STB814- 3P
STC814- 4P	4	30.7	STB814- 4P
STC814- 6P	6	47.3	STB814- 6P
STC814- 7P	7	55.6	STB814- 7P
STC814- 8P	8	63.9	STB814- 8P
STC814- 9P	9	72.2	STB814- 9P
STC814-10P	10	80.5	STB814-10P
STC815- 2P	2	20.2	STB815- 2P
STC815- 3P	3	31.8	STB815- 3P
STC815- 4P	4	43.4	STB815- 4P
STC815- 6P	6	66.6	STB815- 6P
STC815-10P	10	113.0	STB815-10P

STB TERMINAL BLOCK MOUNTING POSITION

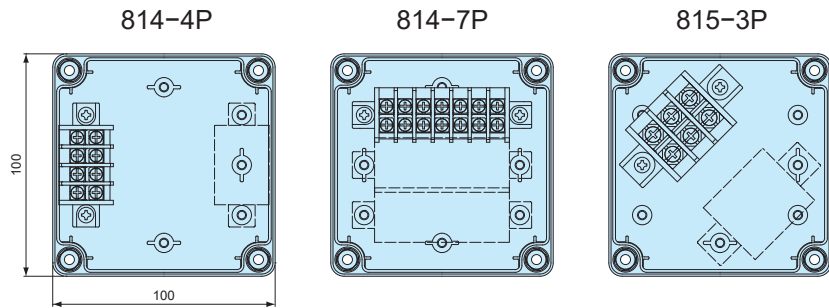
■ Drawings below are reference examples only.
DXF/DWG/PDF drawings available on our website.

■ Terminals can be installed in the area with dotted lines.

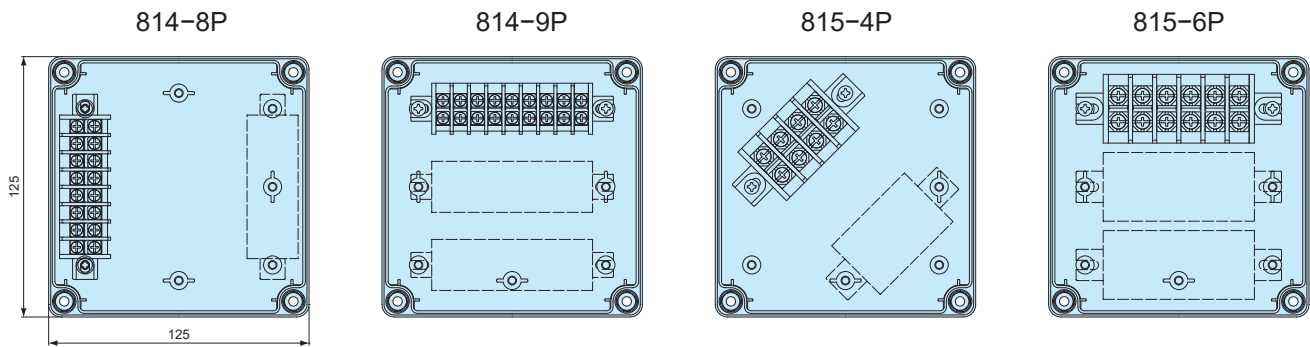
Suitable box SPCM/SPCP 081305 • 081306 • 081308 • 081310 • 081313



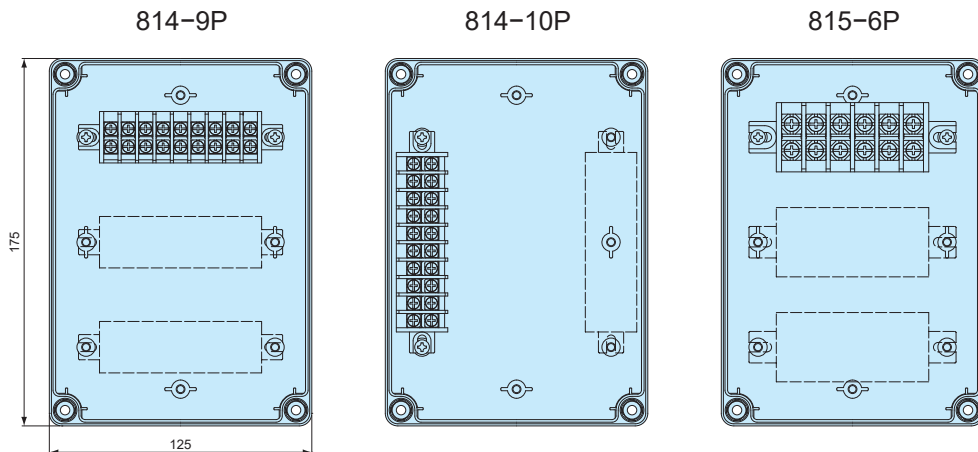
Suitable box SPCM/SPCP 101006



Suitable box SPCM/SPCP 131305 • 131306 • 131308 • 131310 • 131313



Suitable box SPCM/SPCP 131805 • 131806 • 131808 • 131810 • 131813 • 131815



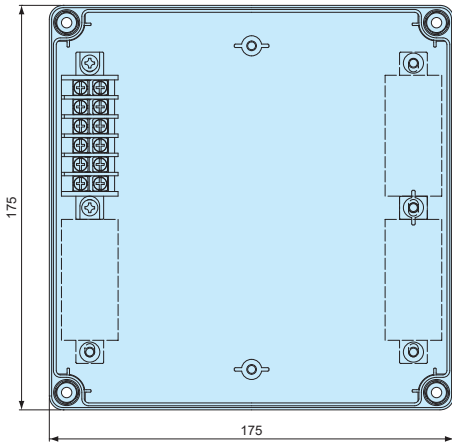
STB TERMINAL BLOCK MOUNTING POSITION

■ Drawings below are reference examples only.
DXF/DWG/PDF drawings available on our website.

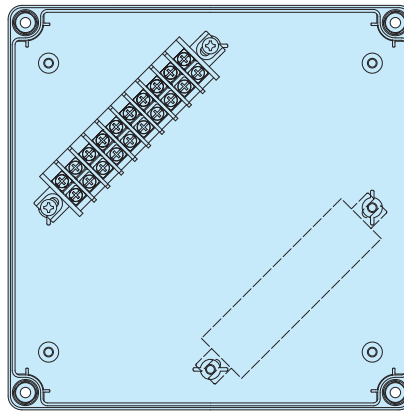
■ Terminals can be installed in the area with dotted lines.

Suitable box SPCM/SPCP 181808 • 181810 • 181813 • 181815

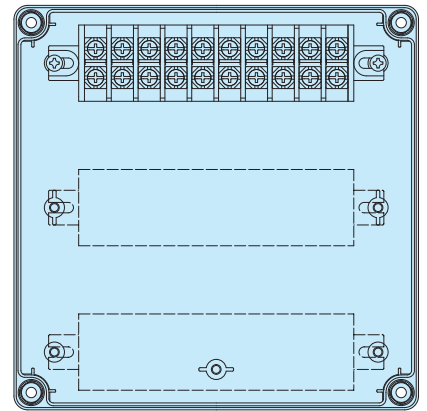
814-6P



814-10P

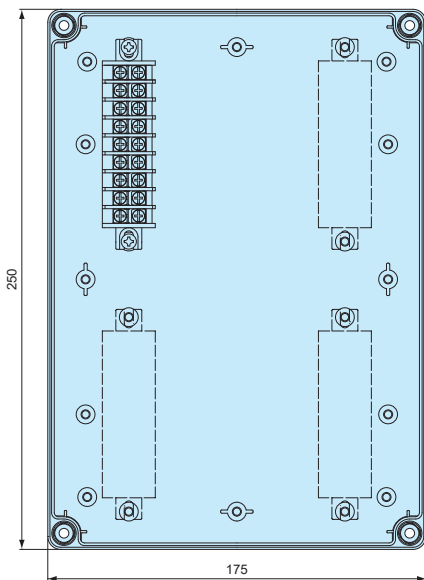


815-10P

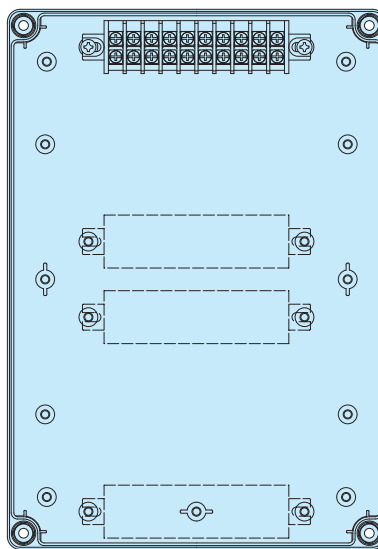


Suitable box SPCM/SPCP 182508 • 182510 • 182515

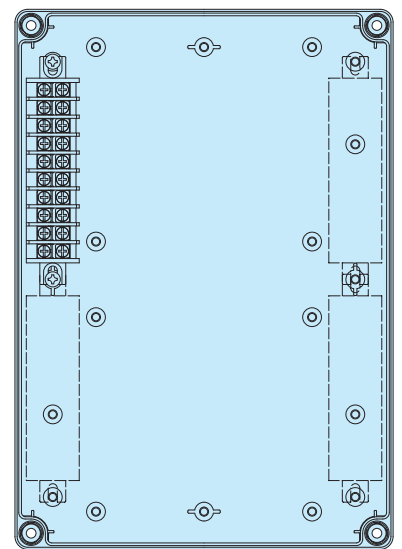
814-9P



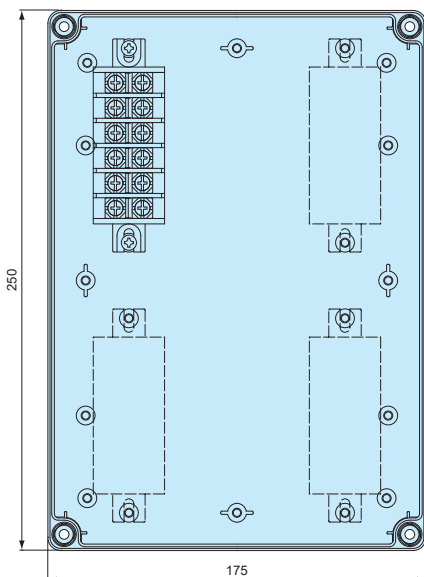
814-10P



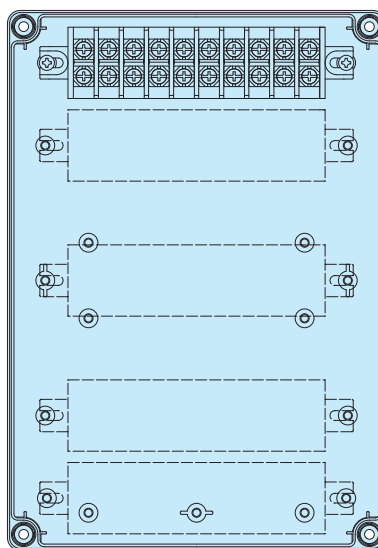
814-10P



815-6P



815-10P



BCAS SERIES

IP65 PLASTIC PULL BOX



IP65

Technical Data

Protection class: IP65
 Operating temperature: -10°C ~ +60°C
 Recommended torque:
 1N · m ~ 1.5N · m
 (1N · m for BCAS050604G, BCAS050605G)

- Small-sized frontal screw fastening type waterproof box.
- Available in 39 different sizes.
- Applicable for various uses as wiring pull box, terminal junction box, switch box and so on.

Components

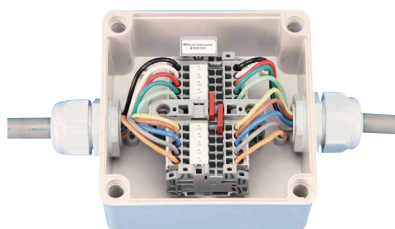
No.	Part name	Pcs	Material	Color / Finish
1	Top cover	1	ABS UL94HB	White gray
2	Body	1	ABS UL94HB	White gray
3	Gasket	1	Polyurethane	Black
4	Cover screw	4	Nylon · Stainless steel (BCAS050604G and BCAS050605G only)	White gray · Unfinished
5	Tapping screw (for mounting plate)	2 ~ 4	Steel	Trivalent chromate

APPLICATION EXAMPLE

SWITCH BOX



TERMINAL JUNCTION BOX



AIR PIPE CONTROLLER



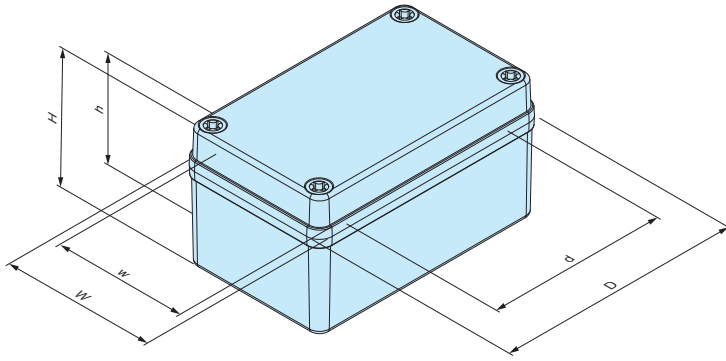
METEOROLOGICAL MONITOR TRANSMITTER



Product by Midori Engineering Laboratory (Japan)

BCAS dimensions

■ Drawings below are reference examples only.
DXF/DWG/PDF drawings available on our website.



◎ : Guide markings for installation of optional latch/hinge parts.



Product no. / Dimensions

Product no.	Dimensions (External)			Dimensions (Internal)			Weight (g)
	W	D	H	w	d	h	
BCAS050604G	50	65	45	43.5	41	33	69
BCAS050605G	50	65	55	43.5	41	43	76
BCAS060905G	65	95	55	55.5	59	41.5	124
BCAS071005G	75	105	55	66	69	41.3	148
BCAS080806G	80	80	60	70.5	44	46.4	133
BCAS081104G	80	110	45	71	74	32.2	138
BCAS081107G	80	110	70	69.5	73.5	57	165
BCAS081108G	80	110	85	70	75	71.8	191
BCAS081110G	80	110	100	70	75	86.2	227
BCAS081307G	80.5	130	70	70.5	94	56.5	188
BCAS081308G	80	130	85	70.5	94	71.5	222
BCAS081807G	80	180	70	70.5	143.5	57	233
BCAS081808G	80	180	85	70.5	143.5	71.5	275
BCAS082507G	80	250	70	70	213.5	56.5	294
BCAS082508G	80	250	85	70	213.5	71.5	348
BCAS101007G	101.5	101.5	75	91	64	61.5	212
BCAS101010G	101.5	101.5	100	90	64	86.5	253
BCAS101807G	100	185	70	90	148.5	56.7	298
BCAS102007G	100	200	70	90.5	163.5	56.5	282
BCAS102307G	100	230	70	90.5	193.5	56.4	336
BCAS121207G	125	125	75	114	88.5	62	252
BCAS121210G	125	125	100	114	87.5	87	311
BCAS141709G	143	173	95	133	134	82	416
BCAS142309G	140	230	95	129	193	81.5	485
BCAS151507G	150	150	75	140	114	61.5	322
BCAS151510G	150	150	100	139	114	86.5	398
BCAS152004G	150	200	46	140	164	32.4	335
BCAS152007G	150	200	75.5	138	164	61.5	423
BCAS152010G	150	200	100.5	139	161.5	86.5	473
BCAS152013G	150	200	130.5	139.5	161	116.5	582
BCAS152016G	150	200	160	139	163	146.5	631
BCAS152510G	150	250	100	139.5	214	86.4	565
BCAS152513G	150	250	130	139.5	214	116.4	687
BCAS161607G	160	160	70	150	123.5	56.5	334
BCAS202010G	200	200	100	189	164.5	86	604
BCAS202013G	200	200	130	189	164.5	117	685
BCAS202016G	201	201	161	187.5	164.5	147	801
BCAS202019G	201	201	190	187.5	164.5	176.3	907.5
BCAS212310G	210	230	100.3	198.8	194.2	87.1	644.5

Accessories (Optional parts)



Mounting plate BMP series
See page BCAS-3 ~ BCAS-4



Latch • Hinge BCL55 • BCH55
See page BCAS • BCAL-ACC-1



Spare cover screw CB series
See page BCAS • BCAL-ACC-3



Mounting bracket CK series
See page BCAS • BCAL-ACC-2



Cable gland
See cable gland pages

BMP-Z SERIES

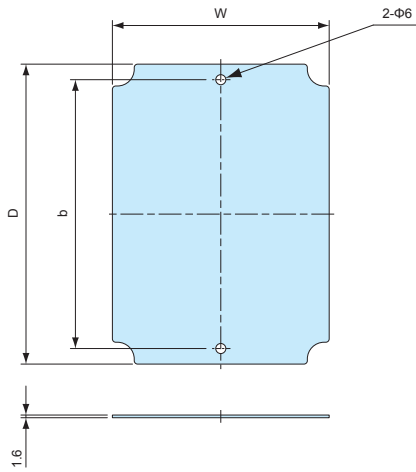
STEEL MOUNTING PLATE



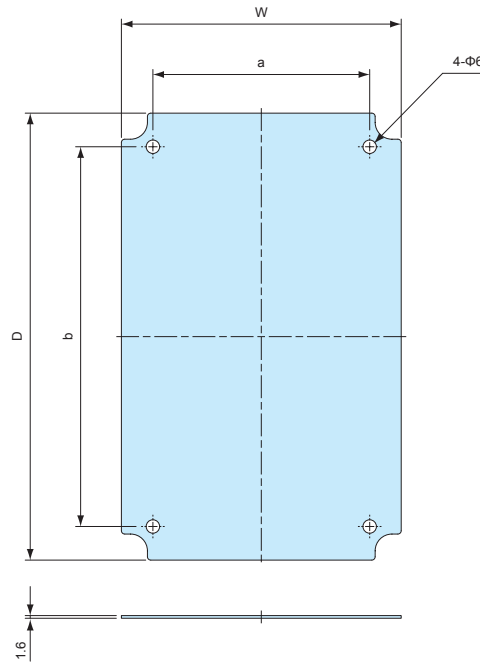
■ Strong but easily customizable.

■ Drawings below are reference examples only.
DXF/DWG/PDF drawings available on our website.

BMP0506Z ~ 1525Z



BMP2020Z, 2123Z



Components

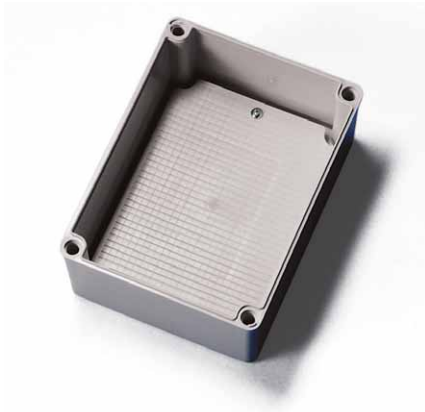
Part name	Material	Color / Finish
Mounting plate	Steel t=1.6	Zinc coated

Product no. / Dimensions

Product no.	W	D	a	b	Suitable box	Weight (g)
BMP0506Z	41	56	-	40	BCAS050604, 050605	23
BMP0609Z	52	82	-	65	BCAS060905	41
BMP0710Z	62	92	-	75	BCAS071005	63
BMP0808Z	67	67	-	50	BCAS080806	47
BMP0811Z	68	98	-	80	BCAS081104, 081107, 081108, 081110	72
BMP0813Z	68	118	-	99	BCAS081307, 081308	87
BMP0818Z	69	169	-	150	BCAS081807, 081808	134
BMP0825Z	69	239	-	220	BCAS082507, 082508	193
BMP1010Z	86	86	-	60	BCAS101007, 101010	80
BMP1018Z	89	173	-	139	BCAS101807	177
BMP1121Z	77	177	-	158	BCAS102007	159
BMP1023Z	88	218	-	184	BCAS102307	226
BMP1212Z	114	114	-	70	BCAS121207, 121210	151
BMP1417Z	132	162	-	130	BCAS141709	251
BMP1423Z	123	213	-	190	BCAS142309	305
BMP1515Z	121	121	-	110	BCAS151507, 151510	172
BMP1616Z	142	142	-	120	BCAS161607	237
BMP1520Z	126	176	-	160	BCAS152004, 152007, 152010, 152013, 152016	262
BMP1525Z	127	227	-	210	BCAS152510, 152513	346
BMP2020Z	176	176	120	150	BCAS202010, 202013, 202016, 202019	371
BMP2123Z	183	203	160	180	BCAS212310	447

BMP-P SERIES

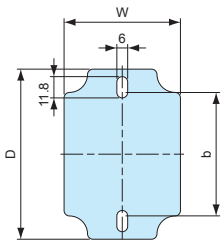
PLASTIC MOUNTING PLATE



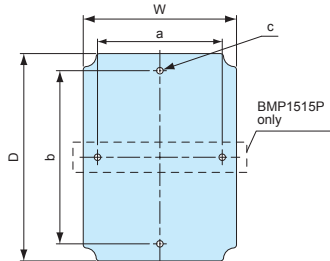
- Lightweight ABS plastic mounting plate.
- Not available for BCAS050604, 050605, 060905, 071005, 080806, 101807, 102307, and 212310 models.

■ Drawings below are reference examples only.
DXF/DWG/PDF drawings available on our website.

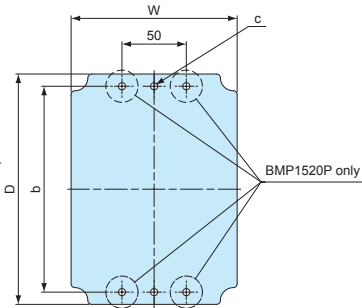
BMP0811P



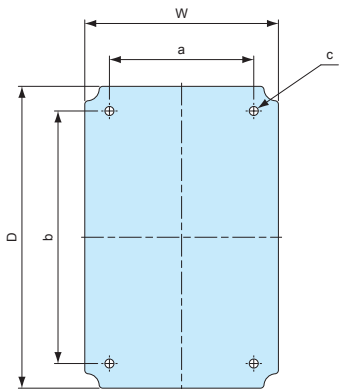
BMP0813P ~ 1616P



BMP0825P, 1423P, 1520P, 1525P



BMP2020P



Components

Part name	Material	Color / Finish
Mounting plate	ABS	White gray

Product no. / Dimensions

Product no.	W	D	a	b	c(Φ)	Thickness	Suitable box	Weight (g)
BMP0811P	64.5	94.3	-	68.4	-	3.5	BCAS081104, 081107, 081108, 081110	21
BMP0813P	64.5	114.5	-	99	Φ6	3.5	BCAS081307, 081308	24
BMP0818P	64.5	164	-	148.5	Φ6	3.5	BCAS081807, 081808	37
BMP0825P	64.2	234.5	-	219.5	Φ6	3.5	BCAS082507, 082508	59
BMP1010P	81.5	81.2	-	60	Φ6	3.5	BCAS101007, 101010	22
BMP1121P	76.5	175.8	-	157.8	Φ6	3	BCAS102007	40
BMP1212P	107	107	-	70	Φ5.5	3.5	BCAS121207, 121210	39
BMP1417P	125.5	155.5	-	130	Φ6	3.5	BCAS141709	69
BMP1423P	122.6	212.5	-	190	Φ5.5	3.7	BCAS142309	103.5
BMP1515P	123	123	110	110	Φ6	3.5	BCAS151507, 151510	52
BMP1616P	143.5	143.5	-	120	Φ6	3.2	BCAS161607	66
BMP1520P	129	179	-	160	Φ5.5	3.5	BCAS152004, 152007, 152010, 152013, 152016	92
BMP1525P	129	228.5	-	210	Φ6	3.5	BCAS152510, 152513	112
BMP2020P	178.5	178.5	120	150	Φ5.5	3.5	BCAS202010, 202013, 202016, 202019	125

BCAL SERIES

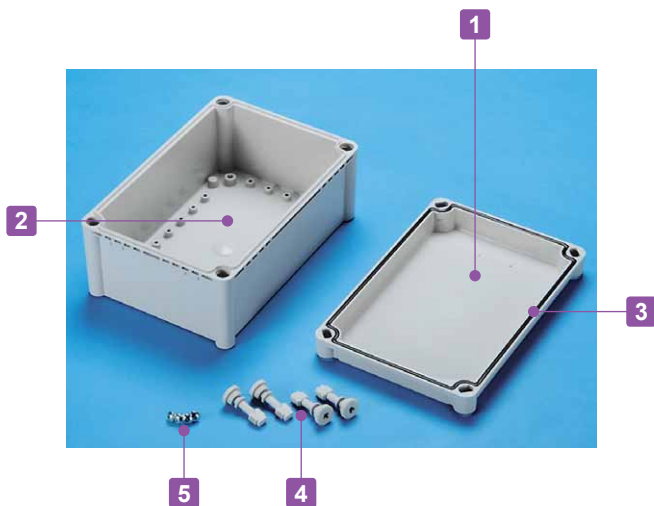
IP65 PLASTIC BOX



Technical Data



Protection class: IP65
 Operating temperature: -10°C ~ +60°C
 Recommended torque: 1N • m ~ 1.5N • m



- Large-sized frontal screw fastening type waterproof box.
- 11 different sizes available.
- Applicable for uses in various fields such as FA, control box, network communication, and so on.
- 2 different top cover models (ABS-White gray • Polycarbonate-Transparent) are available.
- Guide markings are available for installation of optional latch/hinge parts.

◎ : Guide markings

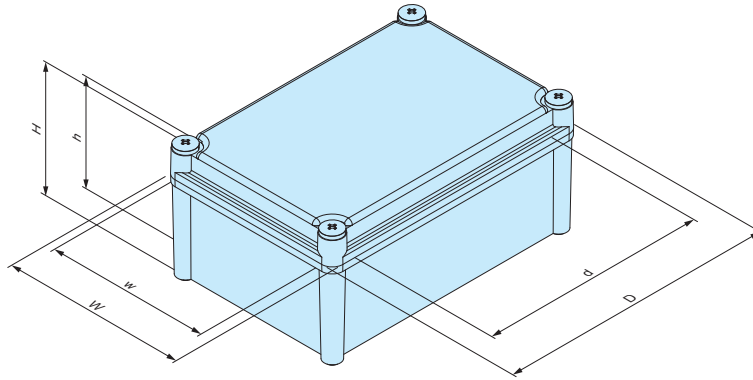


Components

No.	Part name	Pcs	Material	Color / Finish
1	Top cover	1	ABS UL94HB • Polycarbonate (UL94V-0)	White gray • Transparent
2	Body	1	ABS UL94HB	White gray
3	Gasket	1	Polyurethane	Black
4	Cover screw	4 ~ 6	Nylon	White gray • Unfinished
5	Tapping screw (for mounting plate)	4	Steel	Trivalent chromate

BCAL dimensions

■ Drawings below are reference examples only.
DXF/DWG/PDF drawings available on our website.



Product no. / Dimensions

Product no.				Dimensions (External)			Dimensions (Internal)			Weight (g)
G type		T type		W	D	H	w	d	h	
Top cover	Body	Top cover	Body							
● White gray		○ Transparent	● White gray							
BCAL191913G		BCAL191913T		190	190	128	167	140	111.5	722
BCAL192813G		BCAL192813T		190	280	128	166	229	111.5	896
BCAL192818G		BCAL192818T		190	280	178	164	230	162	1,009
BCAL193813G		BCAL193813T		190	380	128	167	329	111	1,143
BCAL193818G		BCAL193818T		190	380	178	165	327.5	162	1,258
BCAL282813G		BCAL282813T		280	280	128	256	229	112	1,148
BCAL283413G		BCAL283413T		280	340	128	255.5	287	111.8	1,441
BCAL283813G		BCAL283813T		280	380	128	256	329	111.5	1,423
BCAL283818G		BCAL283818T		280	380	178	254	324	161.5	1,745
BCAL285613G		BCAL285613T		280	560	128	255	507	112	2,272
BCAL385618G		BCAL385618T		380	560	178	354	505	159.7	2,948

Accessories (Optional parts)



Mounting plate BMP series
See page BCAL-3



Latch • Hinge BCL65 • BCH65
See page BCAS • BCAL-ACC-1



Spare Cover screw CB28 series
See page BCAS • BCAL-ACC-3



Mounting bracket CK-26P
See page BCAS • BCAL-ACC-2



Cable gland
See cable gland pages

APPLICATION EXAMPLE

CONTROL BOX



INCLINOMETER for Bridge Construction
Product by Akasakatec Inc. (Japan)

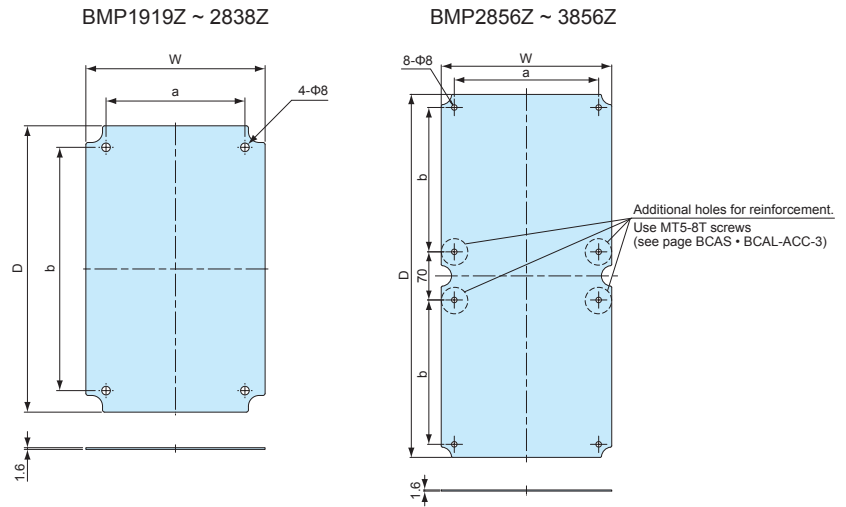


BMP-Z SERIES

STEEL MOUNTING PLATE



DXF/DWG/PDF drawings available on our website.



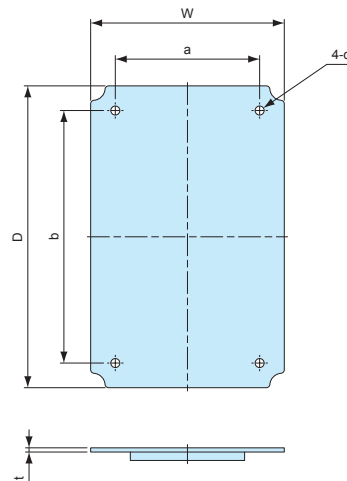
- Strong but easily customizable.
- Material/Finish : Steel t=1.6mm / Zinc coated

Product no. / Dimensions

Product no.	W	D	a	b	Suitable box	Weight (g)
BMP1919Z	159	159	120	120	BCAL191913	303
BMP1928Z	157	247	120	210	BCAL192813, 192818	462.5
BMP1938Z	159	347	120	310	BCAL193813, 193818	676.5
BMP2828Z	246	246	210	210	BCAL282813	727.5
BMP2834Z	246	306	210	270	BCAL283413	920
BMP2838Z	246	346	210	310	BCAL283813, 283818	1,018
BMP2856Z	248	528	210	210	BCAL285613	1,571
BMP3856Z	348	528	310	210	BCAL385618	2,210

BMP-P SERIES

PLASTIC MOUNTING PLATE



- Not available for BCAL283413, 285613, and 385618 models.
- Material/Color : ABS / White gray

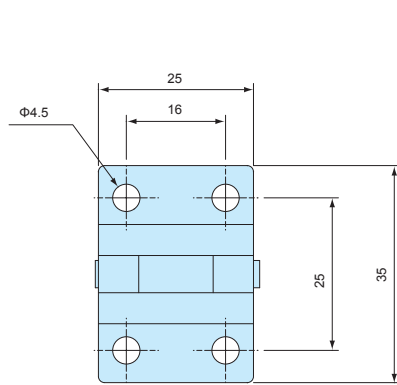
Product no. / Dimensions

Product no.	W	D	a	b	c (Φ)	t	Suitable box	Weight (g)
BMP1919P	159	159	120	120	Φ8	4	BCAL191913	104
BMP1928P	158.5	248	120	210	Φ8	3.5	BCAL192813, 192818	162
BMP1938P	159	348	120	310	Φ8	4.5	BCAL193813, 193818	236
BMP2828P	248.5	248.5	210	210	Φ8	4	BCAL282813	237
BMP2838P	248	347.5	209	309.5	Φ8	4	BCAL283813, 283818	368

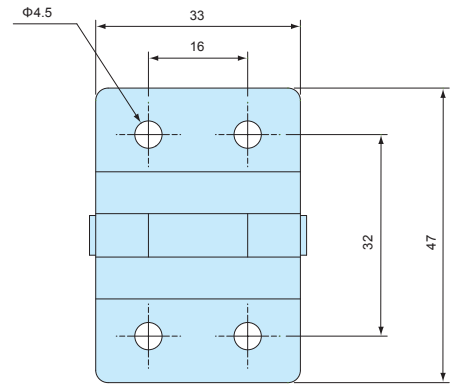
BCH SERIES

HINGE for BCAS • BCAL

■ Refer to ☉ guide markings on BCAS • BCAL box when installing.



BCH55



BCH65

Components

Part name	Pcs	Material	Color / Finish
Hinge	1	Stainless steel SUS304	Unfinished
Bracket	2	Stainless steel SUS304	Unfinished
Gasket	2	EPDM	Black

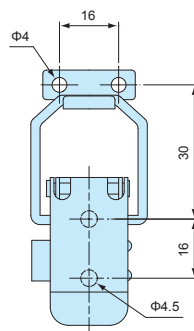
Product no. / Suitable box

Product no.	Suitable box	Included screw
BCH55	BCAS series Not available for BCAS050604, 050605, 060905, 071005, 080806, 081104, 101807, 102007, 102307, 152004, and 161607 models.	Truss head M4-10
BCH65	BCAL series	Truss head M4-10

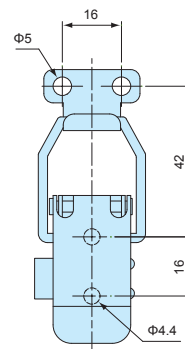
BCL SERIES

LATCH for BCAS • BCAL

■ Refer to ☉ guide markings on BCAS • BCAL box when installing.



BCL55



BCL65

Components

Part name	Pcs	Material	Color / Finish
Latch	1	Stainless steel SUS304	Unfinished
Hook	1	Stainless steel SUS304	Unfinished
Bracket	2	Stainless steel SUS304	Unfinished
Gasket	2	EPDM	Black

Product no. / Suitable box

Product no.	Suitable box	Included screw
BCL55	BCAS series Not available for BCAS050604, 050605, 060905, 071005, 080806, 081104, 101807, 102007, 102307, 152004, and 161607 models.	Truss head M4-10
BCL65	BCAL series	Truss head M4-10

BCM SERIES

BLIND PLUG for BCAS • BCAL



- Blind plug for BCAS • BCAL when installing hinges and latches.
Not usable when using cover screws.

Components

Part name	Material	Color
Blind plug	ABS	White gray

Product no. / Suitable box

Product no.	Suitable box	Pack of
BCM-1	BCAS series (Not available for BCAS050604, 050605 models)	1
BCM-2	BCAL series	1

CK SERIES

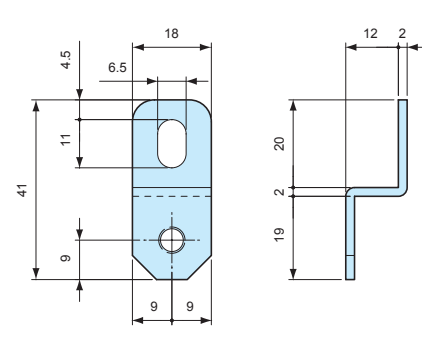
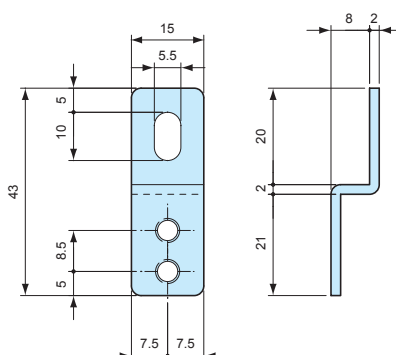
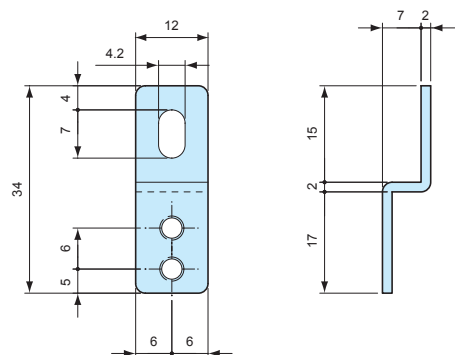
STAINLESS STEEL MOUNT BRACKET



CK-34Z dimensions

CK-35P dimensions

CK-26P dimensions



- CK-34Z model requires the use of MT4-10 screw.

Product no. / Suitable box

Product no.	Material	Finish	Suitable box	Included screw	Pack of
CK-34Z	Stainless steel SUS304	Barrel finish	BCAS series (Not applicable for BCAS050604, 050605 models)	-	4
CK-35P	Stainless steel SUS304	Barrel finish	BCAS050604G, BCAS050605G	Pan head tapping M4-10	4
CK-26P	Stainless steel SUS304	Barrel finish	BCAL series	Pan head M5-10	4

MT4-10

MOUNTING SCREW

- Use together with CK-34Z.

Product no. / Feature

Product no.	Material	Finish	Pack of
MT4-10 (Pan head M4-10)	Stainless steel	Unfinished	4

MT SERIES

PCB MOUNTING SCREW



■ Mounting screw for the bosses without insert-nut.

Product no. / Feature

Product no.	Material	Finish	Pack of
MT4-8T (Binding head tapping M4-8)	Steel	Trivalent chromate	20
MT5-8T (Binding head tapping M5-8)	Steel	Trivalent chromate	20

Suitable box chart

Product no.	Suitable box	Tightening torque
MT4-8T	BCAS071005, 081104, 081107, 081108, 081110, 081307, 081308, 081807, 081808, 082507, 082508, 101007, 101010, 101807, 102007, 102307, 121207, 121210, 141709, 142309, 151507, 151510, 152004, 152007, 152010, 152013, 152016, 152510, 152513, 161607, 202010, 202013, 202016, 202019, and 212310 models.	0.7N · m
MT5-8T	BCAL series	1.4N · m

CB SERIES

SPARE COVER SCREW for BCAS



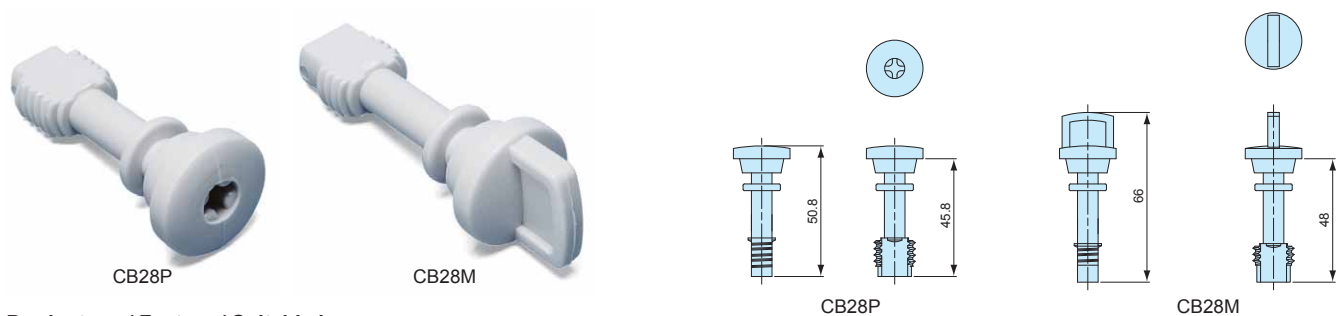
Product no. / Feature / Suitable box

Product no.	Material	Color	Pack of
CB20	Fiberglass · Nylon	White gray	1
CB35	Fiberglass · Nylon	White gray	1
CB50	Fiberglass · Nylon	White gray	1

Product no.	Suitable box
CB20	BCAS060905, 071005, 080806, 081104, 081107, 081108, 081307, 081807, 082507, 101007, 101010, 101807, 102007, 102307, 121207, 121210, 141709, 142309, 151507, 151510, 152004, 152007, 152010, 152013, 152510, 161607, 202010, 202013, 202016, and 212310 models TMB-15PS, 20P, 20PL
CB35	BCAS081110, 081308, 081808, and 082508 models
CB50	BCAS152016, 152513, and 202019 models

CB SERIES

SPARE COVER SCREW for BCAL



Product no. / Feature / Suitable box

Product no.	Material	Color	Suitable box	Pack of
CB28P	Fiberglass · Nylon	White gray	BCAL series	1
CB28M	Fiberglass · Nylon	White gray	BCAL series	1

SSK SERIES

POLE MOUNTING BRACKET

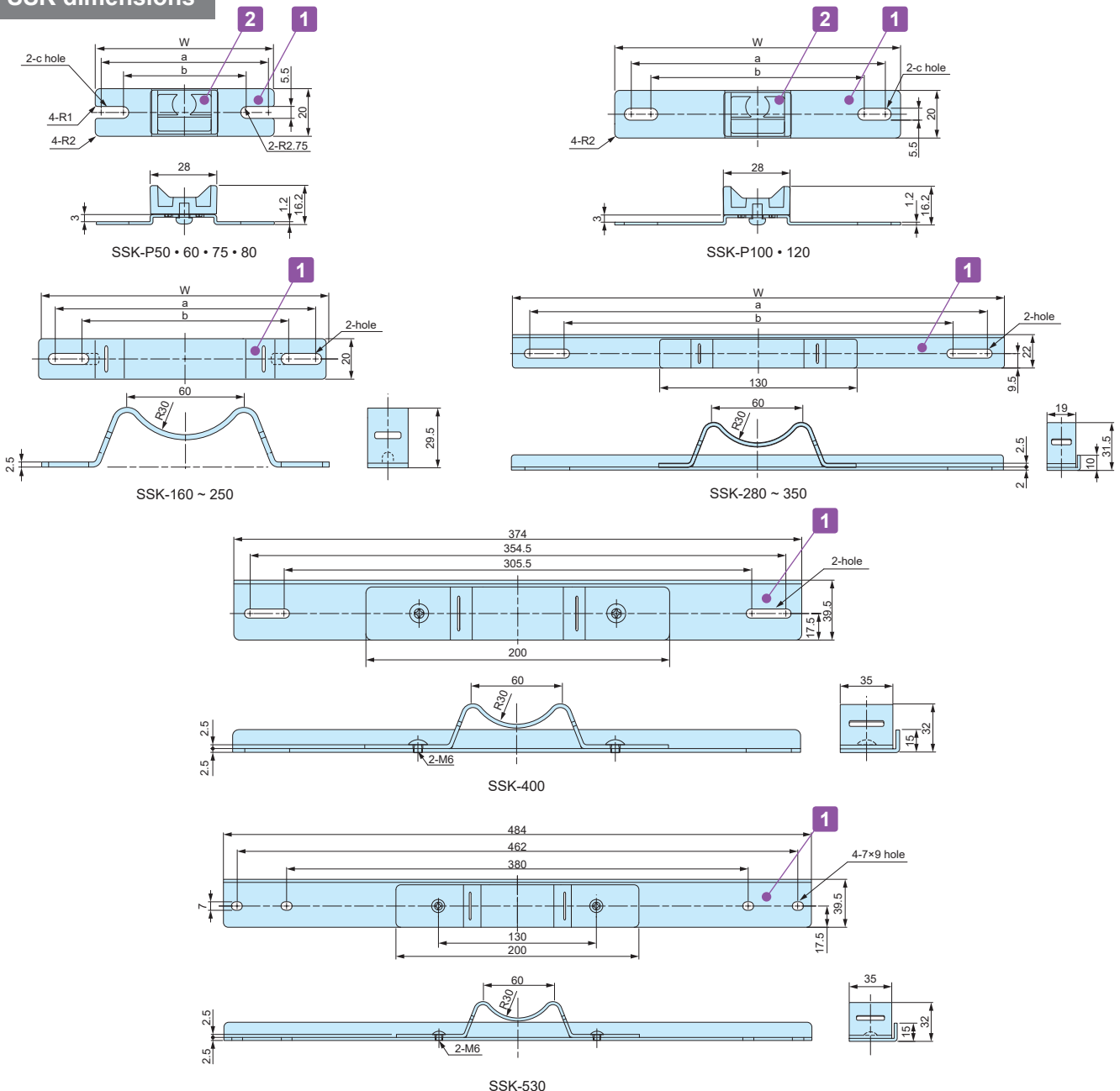


- Stainless steel pole mounting bracket for SPCM • SPCP and BCAL • BCAS series.
- Easy pole mount with the use of SSK-B mounting screw and PKB mounting belt.
- DXF/DWG/PDF drawings available on our website.
- SSK-P models includes plastic mounting brackets.



PKB series

SSK dimensions



SSK-1

Components

No.	Part name	Pcs	Material	Color / Finish
1	Bracket	2	Stainless steel SUS304	Barrel finish
2	Plastic bracket (SSK-P models only)	2	ASA UL94HB	White gray

■ Screws included with SSK brackets are for BCAP • BCAR • BCPK • BCPR series use only. For other series, please utilize SSK-B screw set.

Product no. / Dimensions

Product no.	W	a	b	c	Suitable mounting belt	Pack of
SSK-P50	50	44.5	37.5	5.5× 9	PKB-10PM, 10P PKB-10S	2
SSK-P60	60	54.5	47.5	5.5× 9	PKB-10PM, 10P PKB-10S	2
SSK-P75	75	69.5	55.5	5.5×12.5	PKB-10PM, 10P PKB-10S	2
SSK-P80	80	74.5	64.5	5.5×10.5	PKB-10PM, 10P PKB-10S	2
SSK-P100	100	88.1	76.5	5.5×11.3	PKB-10PM, 10P PKB-10S	2
SSK-P120	120	106.5	88.5	5.5×14.5	PKB-10PM, 10P PKB-10S	2
SSK-160	142	129.5	106.5	-	PKB-10PM, 10P PKB-10S	2
SSK-170	152	142.3	101	-	PKB-10PM, 10P PKB-10S	2
SSK-200	174	161.5	112.5	-	PKB-10PM, 10P PKB-10S	2
SSK-210	192	180.5	131.5	-	PKB-10PM, 10P PKB-10S	2
SSK-250	230	215.5	166.5	-	PKB-10PM, 10P PKB-10S	2
SSK-280	260	244.5	195.5	-	PKB-10PM, 10P PKB-10S	2
SSK-300	280	264.5	215.5	-	PKB-10PM, 10P PKB-10S	2
SSK-350	324	302.5	253.5	-	PKB-10PM, 10P PKB-10S	2
SSK-400	374	354.5	305.5	-	PKB-20S	2
SSK-530	484	462	380	7×9	PKB-20S	2

SSK-B SERIES

MOUNTING SCREW SET for SSK



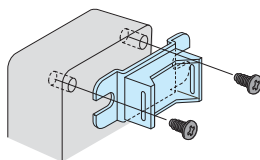
- Mounting screw set for use with SSK pole mounting bracket.
- See chart on page SSK-3 for appropriate bracket/screw/box combination.
- Material / Finish : Stainless steel / Unfinished.

Product no. / Dimensions

Product no.	Included screws	Suitable box	Pcs
SSK-B4-15N	M4-15 Pan head with nut	BCAS060905 ~ 212310	4
SSK-B4-25N	M4-25 Pan head with nut	SPCP • SPCM series	4
SSK-B5-10	M5-10 Pan head	BCAL series	4

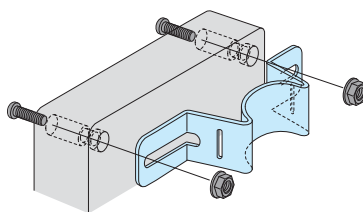
■ Installation Example

BCAS050604, 050605



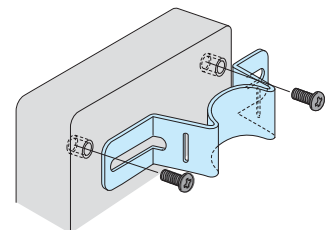
Use screws included with SSK-P

M4 / M5 Pan head with nut fastening



SSK-B4-15N SSK-B4-25N

Pan head screw into insert nut



SSK-B5-10

POLE MOUNTING BRACKET / SCREW SET MATCHING CHART

SPCM • SPCP series

	Box Product no.	SSK Product no.		Screw set Product no.
		Vertical mount	Horizontal mount	
SPCP SPCM	081304, 081305 081306, 081308 081310, 081313	SSK-P75	SSK-160	SSK-B4-25N
	101004, 101006	SSK-P100	SSK-P100	SSK-B4-25N
	131304, 131305 131306, 131308 131310, 131313	SSK-160	SSK-160	SSK-B4-25N
	131804, 131805 131806, 131808 131810, 131813, 131815	SSK-160	SSK-200	SSK-B4-25N
	181808, 181810 181813, 181815	SSK-200	SSK-200	SSK-B4-25N
	182508, 182510, 182515	SSK-200	SSK-280	SSK-B4-25N

BCAL series

	Box Product no.	SSK Product no.		Screw set Product no.
		Vertical mount	Horizontal mount	
BCAL	191913 ※	SSK-P120	SSK-200	SSK-B5-10
	192813, 192818	SSK-200	SSK-250	SSK-B5-10
	193813, 193818	SSK-200	SSK-350	SSK-B5-10
	282813	SSK-250	SSK-280	SSK-B5-10
	283413	SSK-280	SSK-280	SSK-B5-10
	283813, 283818	SSK-280	SSK-350	SSK-B5-10
	285613	SSK-280	SSK-530	SSK-B5-10
	385618	SSK-400	SSK-530	SSK-B5-10

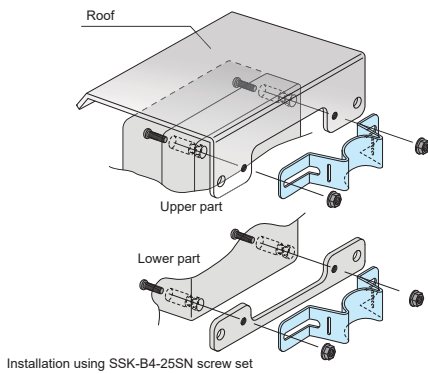
※Use screws included with SSK bracket for vertical mount

BCAS series

	Box Product no.	SSK Product no.		Screw set Product no.
		Vertical mount	Horizontal mount	
BCAS	050604, 050605	SSK-P50	SSK-P60	Use screws included with SSK bracket
	060905	SSK-P60	SSK-P100	SSK-B4-15N
	071005 ※	SSK-P75	SSK-P100	SSK-B4-15N
	080806	SSK-P75	SSK-P75	SSK-B4-15N
	081104, 081107 081108, 081110	SSK-P75	SSK-P120	SSK-B4-15N
	081307, 081308	SSK-P75	SSK-160	SSK-B4-15N
	081807, 081808	SSK-P75	SSK-210	SSK-B4-15N
	082507, 082508	SSK-P75	SSK-280	SSK-B4-15N
	101007, 101010	SSK-P100	SSK-P100	SSK-B4-15N
	101807	SSK-P100	SSK-210	SSK-B4-15N
	102007	SSK-P100	SSK-250	SSK-B4-15N
	102307	SSK-P100	SSK-250	SSK-B4-15N
	121207, 121210	SSK-P120	SSK-200	SSK-B4-15N
	141709	SSK-160	SSK-200	SSK-B4-15N
	142309	SSK-160	SSK-250	SSK-B4-15N
	151507, 151510	SSK-170	SSK-170	SSK-B4-15N
	152004, 152007 152020, 152013, 152016	SSK-170	SSK-250	SSK-B4-15N
	152510, 152513	SSK-170	SSK-280	SSK-B4-15N
	161607	SSK-170	SSK-170	SSK-B4-15N
	202010, 202013 202016, 202019	SSK-250	SSK-250	SSK-B4-15N
	212310	SSK-250	SSK-250	SSK-B4-15N

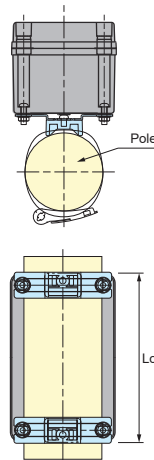
※Use screws included with SSK bracket for vertical mount

- For installation of SR series outdoor roof on SPCM • SPCP series SR series (For SPCM • SPCP - see page SPCM • SPCM-ACC-2)

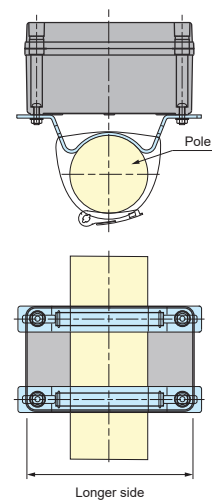


- Select SSK bracket depending on mounting type (Vertical or Horizontal).

Vertical mount
(Longer vertical side)



Horizontal mount
(Longer horizontal side)



WPMB-M4-3 SERIES

POLE MOUNTING BRACKET



- Pole mount bracket made from weather resistant ASA material.
- Suitable for both for vertical and horizontal mounting.
- Hole milling is required for bracket installation.
- IPX7 protection can be maintained through the use of sealing washers.
- Pole mount is possible with the use of PKB series mounting belt.

Components

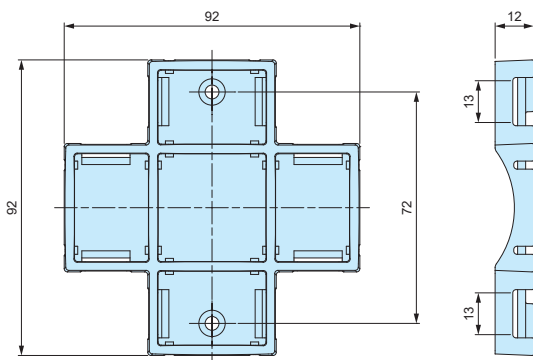
No.	Part name	Pcs	Material	Color / Finish
1	Bracket	1	ASA UL94HB	White gray • Dark gray
2	Sealing washer	2	NBR, SPCC	Black
3	Screw (M4-10 Pan head)	2	Stainless steel	Unfinished
4	Hexagonal nut (M4 x 3 types)	2	Stainless steel	Unfinished

Product no. / Dimensions

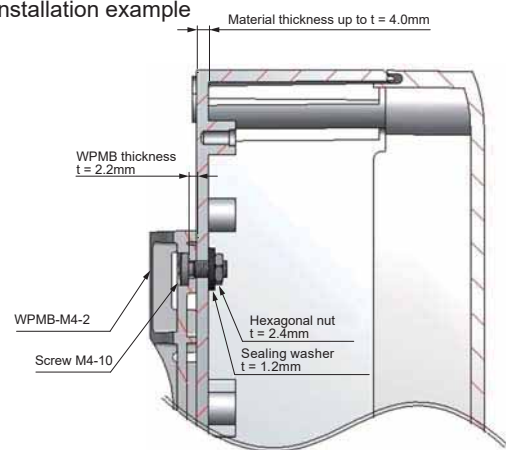
Product no.		Material thickness	Tightening torque	Tensile strength	Weight (g)
• White gray	• Dark gray				
WPMB-M4-3G	WPMB-M4-3D	Up to t = 4.0mm	0.45N • m	5 kg	26.5

■ Listed tightening torque values are for reference only. Actual required torque may differ.

■ DXF/DWG/PDF drawings available on our website.



Installation example



PKB SERIES

POLE MOUNTING BELT



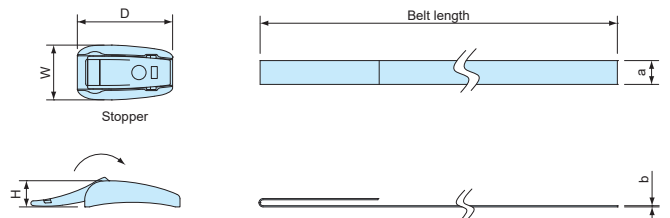
PKB-10PM, 10P



PKB-10S, 20S

- New shorter belt type PKB-10PM is available for $\Phi 25$ to $\Phi 60$ mm poles. Other belt types are for $\Phi 60$ to $\Phi 400$ mm poles.
- Designed for one time use only (not reusable).
- Strong stainless steel clamping type and easy installation plastic type are available.
- Use SSK • WPMB mounting bracket for installation onto a pole.

■ Drawings below are reference examples only. DXF/DWG/PDF drawings available on our website.



Components

Part name	Pcs	Material	Color / Finish
Stopper	2	POM • Stainless steel SUS304	Black • Barrel finish
Belt	2	PET • Stainless steel SUS430	Gray • Bright Annealed finish

Product no. / Dimensions

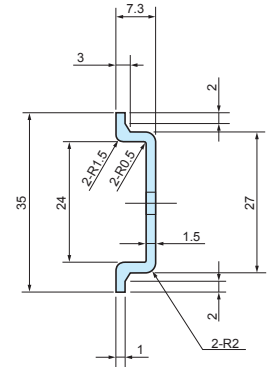
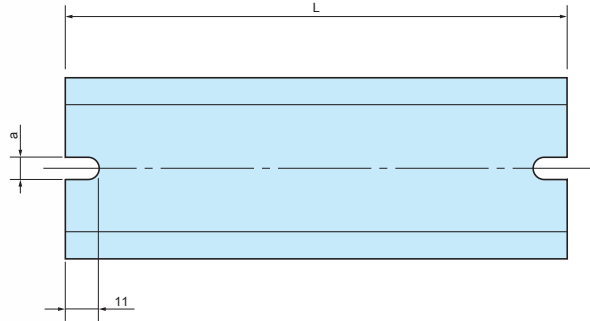
Product no.	W	D	H	a	b	Belt material	Belt length	Tensile strength (horizontal)	Weight (g)	Pack of
NEW PKB-10PM	24	23	11	10	0.5	PET	500mm	0.8 kN	14	2
PKB-10P	23	40	11	10	0.5	PET	1,500mm	1.3 kN	31.8	2
PKB-10S	(16.5)	(49.5)	12	10	0.3	Stainless steel	1,500mm	1.4 kN	101.6	2
PKB-20S	(27.4)	(49.5)	12	20	0.3	Stainless steel	1,500mm	2.9 kN	182.2	2

FDR SERIES

DIN-RAIL



- DIN rail for installation of terminals, relays or switches inside enclosures.
- Available in different models and lengths to fit a wide variety of mounting boss pitch.
- FDR-1000 is available if customized length is required.



Feature

Material	Finish
Extruded Aluminium A6063S-T5	Silver anodized

Product no. / Dimensions

Product no.	L	a	Matching boss pitch
FDR- 50	50	4.2	32 ~ 42
57	57	4.2	39 ~ 49
66	66	4.2	48 ~ 58
77	77	4.2	59 ~ 69
80	80	4.2	62 ~ 72
87	87	4.2	69 ~ 79
92	92	4.2	74 ~ 84
100	100	4.2	82 ~ 92
106	106	4.2	88 ~ 98
110	110	4.2	92 ~ 102
120	120	4.2	102 ~ 112
128	128	4.2	110 ~ 120
137	137	4.2	119 ~ 129
142	142	4.2	124 ~ 134
146	146	4.2	128 ~ 138
150	150	4.2	132 ~ 142
168	168	4.2	150 ~ 160
170	170	4.2	152 ~ 162
186	186	4.2	168 ~ 178
202	202	4.2	184 ~ 194
205	205	4.2	187 ~ 197
223	223	4.2	205 ~ 215
226	226	4.2	208 ~ 218
235	235	4.2	217 ~ 227
242	242	4.2	224 ~ 234
249	249	4.2	231 ~ 241
283	283	4.2	265 ~ 275
300	300	4.2	282 ~ 292
350	350	4.2	332 ~ 342
450	450	4.2	432 ~ 442
550	550	4.2	532 ~ 542

Product no.	L	a	Matching boss pitch
FDR-B102	102	6.5	86 ~ 92
NEW B124	124	6.5	108 ~ 114
B142	142	6.5	126 ~ 132
B160	160	6.5	144 ~ 150
B165	165	6.5	149 ~ 155
B176	176	6.5	160 ~ 166
B183	183	6.5	167 ~ 173
B223	223	6.5	207 ~ 213
B260	260	6.5	244 ~ 250
B283	283	6.5	267 ~ 273
B303	303	6.5	287 ~ 293
B338	338	6.5	322 ~ 328
B360	360	6.5	344 ~ 350
B376	376	6.5	360 ~ 366
B383	383	6.5	367 ~ 373
B463	463	6.5	447 ~ 453
B560	560	6.5	544 ~ 550
B623	623	6.5	607 ~ 613
FDR-1000	1000	—	—

■ FDR-1000 does not have mounting holes.

Matching DIN-Rail Chart

BC□□ series

Product no.	Matching DIN-Rail
091207	FDR - 80
091208	80
101507	110
101508	110
112107	170
112110	170
112607	223
112610	223
BCAP	
BCPC	
BCPK	
BCAR	
BCPR	
131508	120
131808	150
131810	150
151509	120
151512	120
162110	170
162113	170
162610	223
162613	223
172211	170
172711	223

BDN series

Product no.	Matching DIN-Rail
6- 8- 5	FDR - 50
7-10- 4	-
9- 9- 6	FDR - 80
9-13- 5	120
10-14- 7	128
11-16- 6	150
12-22- 8	205
16-26- 9	242

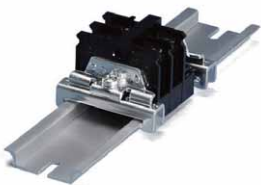
BCAS series

Product no.	Matching DIN-Rail
071005	FDR - 92
080806	66
081104	92
081107	92
081108	92
081110	92
081307	110
081308	110
081807	168
081808	168
082507	235
082508	235
101007	77
101010	77
101807	150
102007	170
102307	202
121207	80
121210	80
141709	146
142309	205
151507	120
151510	120
152004	170
152007	170
152010	170
152013	170
152016	170
152510	226
152513	226
161607	137

SPCM • SPCP series

Product no.	Matching DIN-Rail
081304	FDR - 50/100
081305	50/100
081306	50/100
081308	50/100
081310	50/100
081313	50/100
101004	80
101006	80
131304	100
131305	100
131306	100
131308	100
131310	100
131313	100
SPCM	
SPCP	
131804	100/150
131805	100/150
131806	100/150
131808	100/150
131810	100/150
131813	100/150
131815	100/150
181808	150
181810	150
181813	150
181815	150
182508	150/223
182510	150/223
182515	150/223

Accessories (Optional parts)



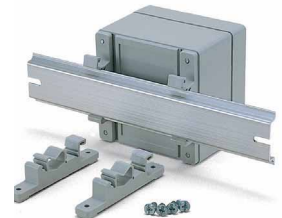
DIN-Rail stopper bracket TKR series
See page DIN-ACC-2



DIN-Rail mounting base DRA series
See page DIN-ACC-1



DIN-Rail mounting base DRT series
See page DIN-ACC-1



DIN-Rail mounting feet CKD series
See page DIN-ACC-2

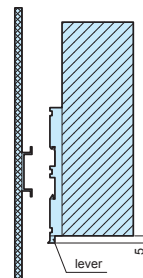
DRA SERIES

DIN-RAIL MOUNTING BASE



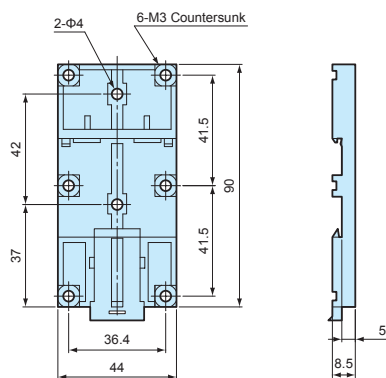
NOTE

Before installation, please ensure that the lever is not fully hidden behind the enclosure.

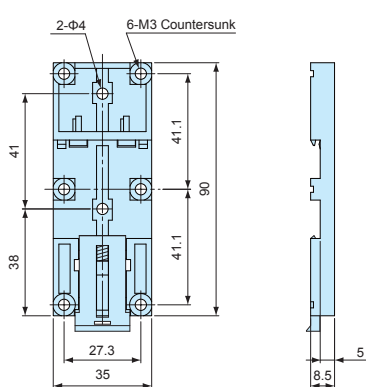


- For installation of enclosures, PCB and other parts onto a DIN rail.
- Simple installation and removal via the pull lever.

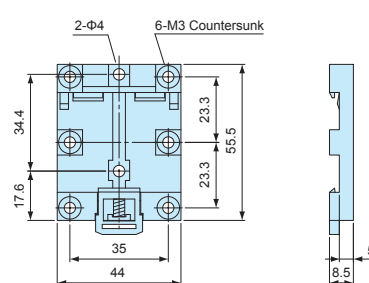
DRA-1



DRA-2



DRA-3

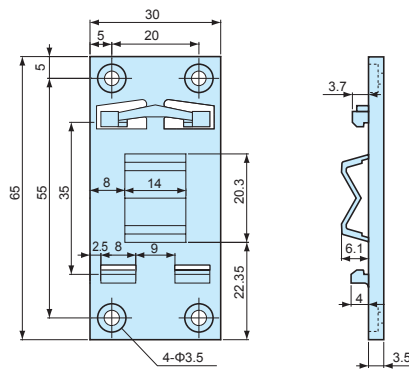


Product no. / Dimensions

Product no.	Material (body)	Material (lever)	Color	Weight (g)	Max load (kg)
DRA-1	PPE : SB UL94V-1	Nylon 66 UL94V-2	Black : Milky white	16.4	5
DRA-2	PPE : SB UL94V-1	Nylon 66 UL94V-2	Black : Milky white	14.5	5
DRA-3	PPE : SB UL94V-1	Nylon 66 UL94V-2	Black : Milky white	10.4	5

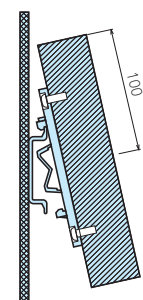
DRT SERIES

DIN-RAIL MOUNTING BASE



NOTE

Before installation, please ensure that the length (from top) of the enclosure is equal to, or less than 100mm from the center of the mounting base.



- For installation of enclosures, PCB and other parts onto a DIN rail.
- Simple installation and removal by tilting the case at an angle and sliding it in/out.

Product no. / Dimensions

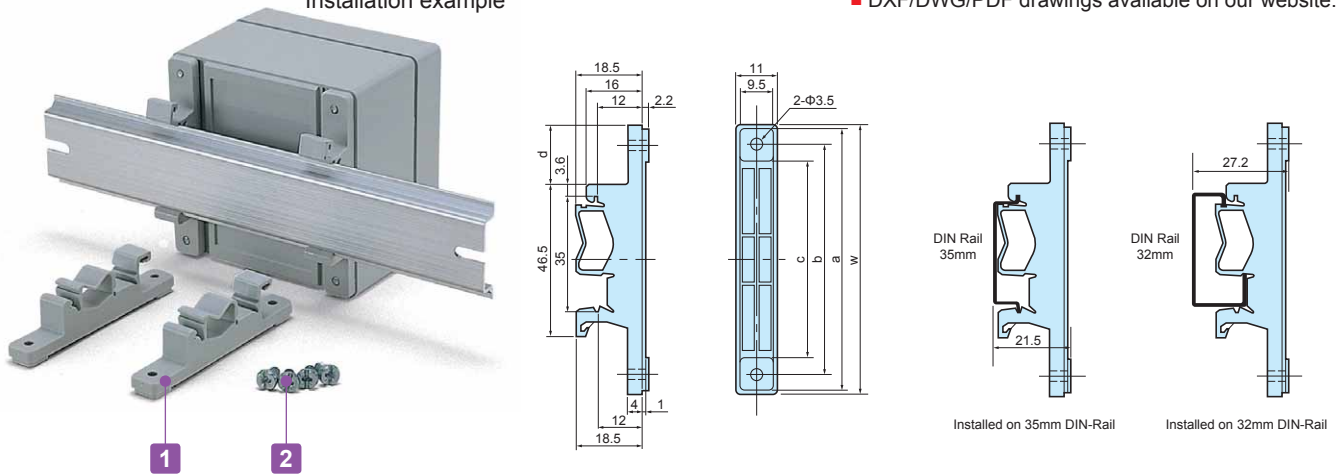
Product no.	Material	Color	Weight (g)	Max load (kg)
DRT-1	PBT UL94V-0	Light gray	7.3	1

CKD SERIES

DIN-RAIL MOUNTING FEET

Installation example

■ DXF/DWG/PDF drawings available on our website.



■ Mounting feet for installation of enclosures, PCB and other parts onto a DIN rail. Can be easily detached.

Technical Data
Max load : 3kg

Components

No.	Part name	Pcs	Material	Color / Finish
1	Mounting feet	2	Polyamide	White gray
2	Screw (special type 4.2 x 9.5)	4	Screw	Unichrome plated

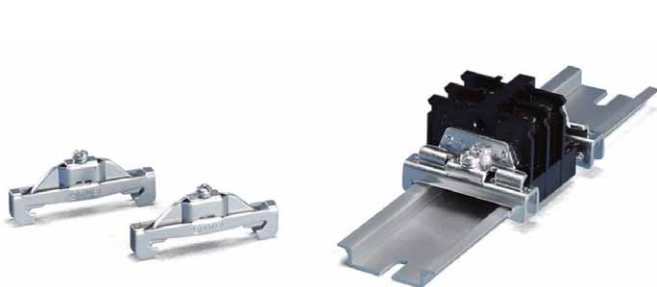
Product no. / Dimensions

Product no.	W	a	b	c	d	Pack of
CKD- 80	77	75	66	56	17	2
CKD-120	117	115	106	96	37	2
CKD-160	157	155	147	136	57	2

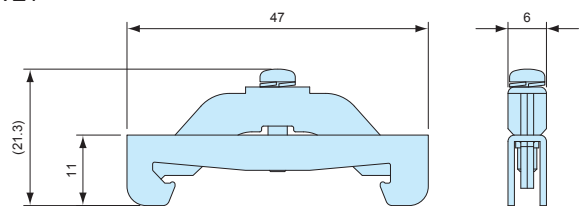
TKR SERIES

DIN-RAIL TERMINAL BLOCKS END STOPPER

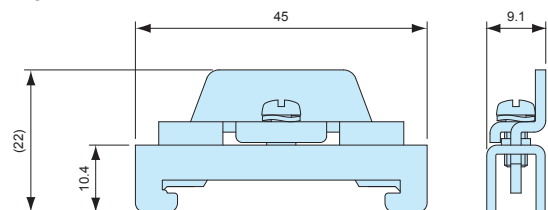
■ DXF/DWG/PDF drawings available on our website.



TKR-TWE1



TKR-JTXE3



- Stopper bracket for use with 35mm DIN-rail to keep an attachment at a fixed location.
- TKR-TWE1 is used with small DIN rail attachment parts. For larger/higher attachment parts, TKR-JTXE3 is recommended for providing additional support.

Product no. / Feature

Product no.	Material	Color / Finish	Pack of
TKR-TWE1	Steel sheet	Trivalent chromate	2
TKR-JTXE3	Steel sheet	Trivalent chromate	2

PMF-6B

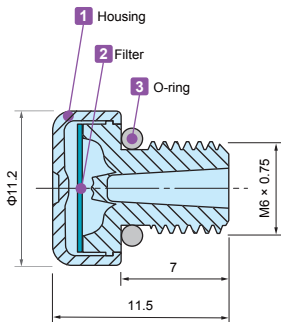
SMALL PROTECTIVE VENT



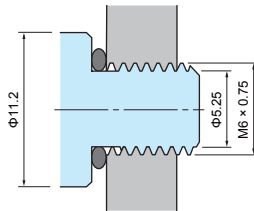
Application example

- Small and screw-in protective vent suitable for compact, and hand-held type devices.
- IP68 protection class (water depth 2 meters / 60 mins) and -40°C ~ +150°C operating temperature range allows it to be used in various environments.
- Suitable for enclosures with capacities of 2.0 litres or under.
- For outdoor use, installation on the side of the enclosure unit is recommended.

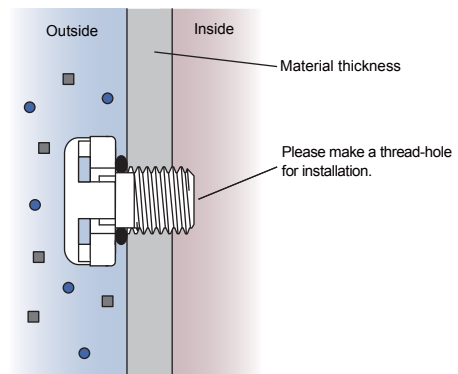
PMF-6B dimensions



Hole milling drawings



Installation drawings



Technical Data

Airflow	300ml / min (dp = 7 kPa)
Recommended Torque	0.2 ~ 0.4 N • m
Certifications	IEC60529 (Protection class test) : IP66 • IP67 • IP68 IEC60068-2-1, 2, 14 (Heat resistance test) : -40°C ~ +150°C IEC60068-2-78 (Humidity test) : 85°C • 85% humidity • 1000 hours IEC60068-2-64 (Vibration test) UL94V-0 (Flame-resistant) • UL746C f1

Product no. / Dimensions

Product no.	Material			G	
● Black	1 Housing	2 Filter	3 O-ring	Thread size	Mount hole
PMF-6B	PA6 (Body) • PA66 (Cap)	PTFE	Silicone	M6 x 0.75	—

PMF-12M

STAINLESS STEEL PROTECTIVE VENT

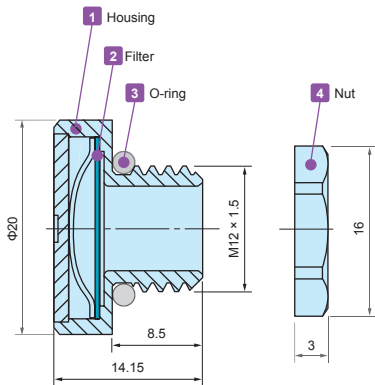
★ ★ NEW

IP68 IP69K

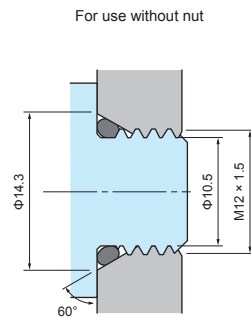


- Stainless steel protective vent for superior durability and chemical resistance.
- IP68 protection class (water depth 2 meters / 60 mins) and -40°C ~ +125°C operating temperature range allows it to be used in various environments.
- Suitable for enclosures with capacities of 20 liters or under.
- For outdoor use, installation on the side of the enclosure unit is recommended.

PMF-12M dimensions

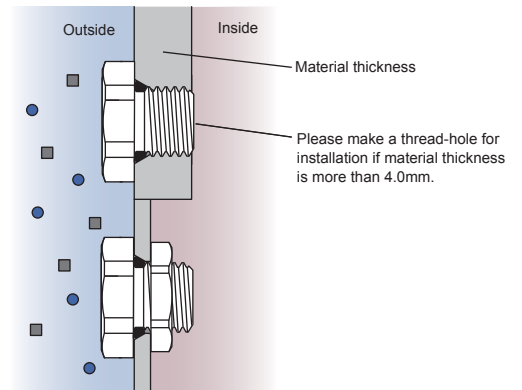


Hole milling drawings



- While φ12.2mm through-hole is sufficient for installation, 60° angle tapered hole is recommended to prevent deformation of the O-ring.

Installation drawings



- If used with a lock nut, material thickness should not exceed 4.0mm.

Technical Data

Airflow	1600ml / min (dp = 7 kPa)
Recommended Torque	0.6 ~ 1.2 N · m
Certifications	IEC60529 (Protection class test) : IP66 • IP67 • IP68 • IP69K IEC60068-2-1, 2, 14 (Heat resistance test) : -40°C ~ +125°C IEC60068-2-78 (Humidity test) : 85°C • 85% humidity • 1000 hours IEC60068-2-64 (Vibration test)

Product no. / Dimensions

Product no.	Material				G		Nut SW
	1 Housing	2 Filter	3 O-ring	4 Nut	Thread size	Mount hole	
PMF-12M	Stainless steel	PTFE	Silicone	Brass • Nickel plated	M12 x 1.5	φ12.2	15

PMF SERIES

PROTECTIVE VENT

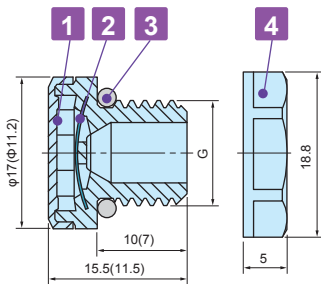


Application example

- Protective vents prevents the ingress of a variety of contaminants, such as water, dust and other particules while allowing water vapor molecules to diffuse through the microporous membrane.
- Equalize pressure and reduce condensation by allowing airflow into and out of sealed enclosures.
- With an IP68 protection class (water depth 2 meters / 60 mins) and -40°C ~ +125°C operating temperature range, it can be used in harsh environmental conditions.
- PMF-6B works up to 2 liters capacity enclosures. Whereas, PMF-12 models work for up to 5 liters and PMF-12HS models work for up to 50 liters.
- For outdoor use, more efficient to install on the side(s).
- Recommended to use for industrial, electric, electronics purpose only.

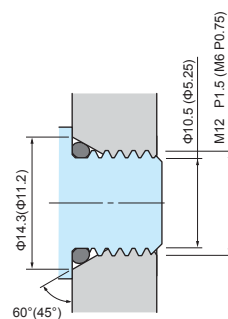
PMF dimensions

■ Drawings below are reference examples only.
DXF/DWG/PDF drawings available on our website.



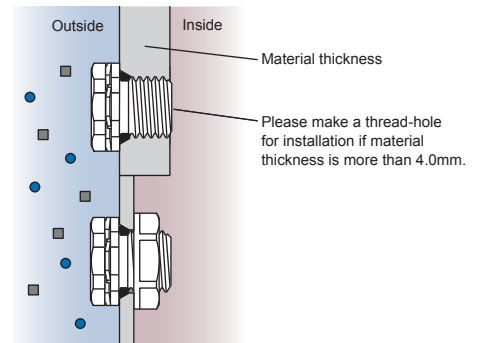
() values are for PMF-6B.
Lock nut is not available for PMF-6B.

Hole milling drawings



■ While $\Phi 12.2\text{mm}$ through-hole is sufficient for installation, 60° angle tapered hole is recommended to prevent deformation of the O-ring.

Installation drawings



■ If used with a lock nut, material thickness should not exceed 4.0mm, and $\Phi 12.2\text{mm}$ through-hole is sufficient.

Technical Data

Product no.	PMF-6B	PMF-12	PMF-12HA
Airflow	300ml / min (dp = 7 kPa)	450ml / min (dp = 7 kPa)	4000ml / min (dp = 7 kPa)
Recommended Torque	0.2 ~ 0.4 N · m	0.6 ~ 0.8 N · m	0.6 ~ 0.8 N · m
Certifications	IEC60529 (Protection class test): IP66 • IP67 • IP68 • IP69K (Not for PMF-6B) IEC60068-2-1, 2, 14 (Heat resistance test): - 40°C ~ +125°C (~+150°C for PMF-6B) IEC60068-2-78 (Humidity test): 85°C • 85% humidity • 1000 hours IEC60068-2-64 (Vibration test) (PMF-6B only) UL94V-0 (Flame-resistant) • UL746C f1		

Product no. / Dimensions

Product no.		Material				G		Nut SW
● Light gray	● Black	1 Housing	2 Filter	3 O-ring	4 Lock nut	Thread size	Mount hole	
—	NEW PMF-6B	PA6 (Body) PA66 (Cap)	PTFE	Silicone	n/a	M6 x 0.75	—	—
PMF-12S	PMF-12B	PA6	PTFE	Silicone	PA6 (UL94V-2)	M12 x 1.5	$\Phi 12.2$	17
PMF-12HAS	PMF-12HAB	PA6	PTFE	Silicone	PA6 (UL94V-2)	M12 x 1.5	$\Phi 12.2$	17

PMF-32 SERIES

LARGE PROTECTIVE VENT

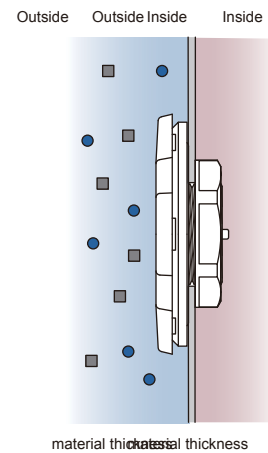
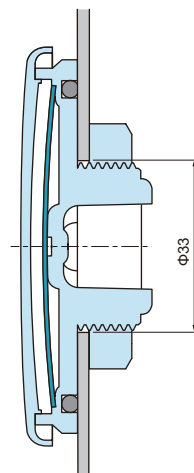
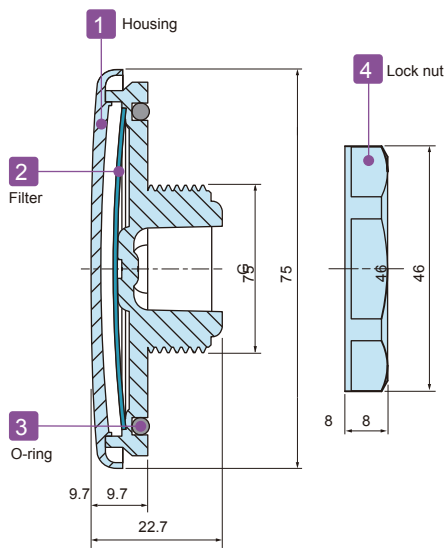


- Maintaining high airflow for large enclosures in an outdoor environment.
- Equalize pressure and reduce condensation by allowing airflow into and out of sealed enclosures.
- Simple and flat design allows it to be used on a wide variety of enclosure types.
- IP68 protection class rated with an operating temperature range of -40°C ~ +125°C allows it to be used in harsh environments.
- Compliant with Solar industry testing IEC62108 standards.
- For superior performance, installation on the side of the enclosure is recommended.

PMF-32 Dimensions

Hole milling drawings

Installation drawings



■ If used with a lock nut, material thickness should not exceed 5.0mm.

Technical Data

Airflow	16 ℓ / min (dp = 12 mbar)
Recommended torque	5 N · m
Certifications (without nut)	IEC529, 2nd (Protection class test): IP66 • IP67 • IP68 • IP69K IEC60068-2-1, 2, 14 (Heat resistance test): - 40°C ~ +125°C IEC60068-2-78 (Humidity test): 85°C • 85% humidity • 1000 hours IEC62108.10.8 • 9 (Solar industry test): Freezing - high temperature test • Hail impact test UL94V-0 (Flame-resistant) • UL746C

Product no. / Dimensions

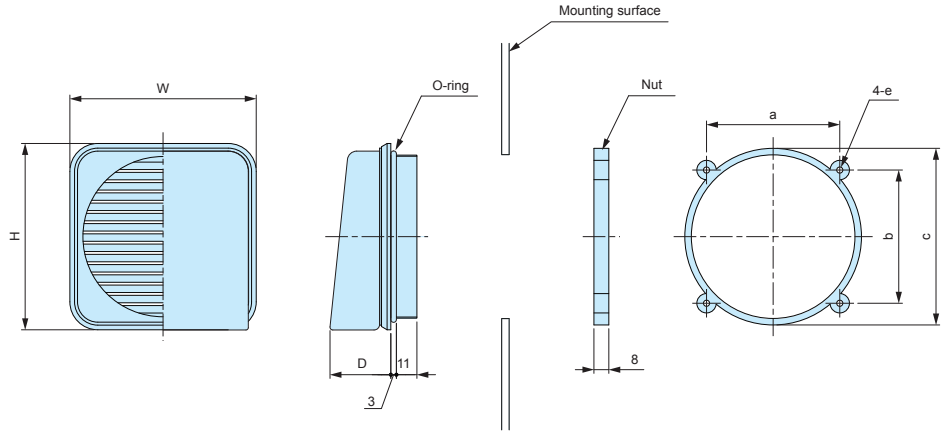
Product no.	Material				G		Nut SW
	1 Housing	2 Filter	3 O-ring	4 Lock nut	Thread size	Mount hole	
PMF-32S	PC	PTFE	Silicone	PA6	M32×1.5	Φ33	41.5

V SERIES

VENTILATION LOUVER



- Recommended for condensation prevention and heat dissipation.
- 2 models available: ABS V60, V80 for BCAP and BCAR series, and PC V60S, V80S for BCPC, BCPK and BCAR series.
- Suitable to be used on a variety of enclosure types, series and models.



Product no. / Dimensions

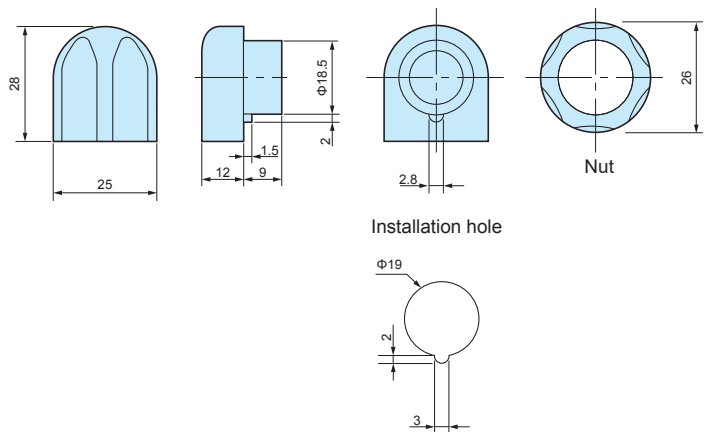
Product no.	Material	Color	Installation hole	W	H	D	a	b	c	e
V60	ABS	White gray	Φ63	74.5	74.5	30.8	50.5	50.5	70	Φ3.8
V80	ABS	White gray	Φ88	100	100	36	71.5	71.5	94.8	Φ3.3
V60S	Polycarbonate	Light gray	Φ63	74.5	74.5	30.8	50.5	50.5	70	Φ3.8
V80S	Polycarbonate	Light gray	Φ88	100	100	36	71.5	71.5	94.8	Φ3.3

■ O-ring material: NBR Black

VF SERIES

VENTILATION PARTS

VF-1

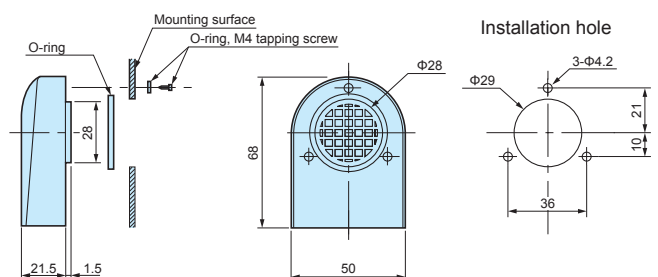


Technical Data	
Protection class:	VF-1 IP33 VF-2 IP24

Product no.

Product no.	Material / Color
VF-1	Polyamide / White gray
VF-2	Polyamide / White gray

VF-2



DIGITAL PRINTED OVERLAY



3 reasons for low initial costs

Reason 1



Cutting process



Avoiding the cost for cutting die manufacturing via our in-house cutting plotter.

Reason 2

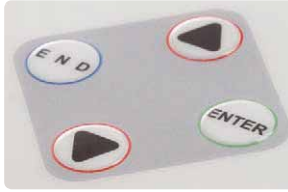


Printing process



Saving the cost for print plates via utilization of our in-house digital inkjet printer.

Reason 3



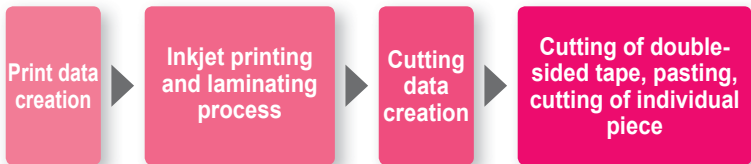
Embossing process



Reducing the cost for the embossing die via our new die manufacturing process.

Comparison of current and previous manufacturing methods

Current



Previous



PRODUCTION PROCESS



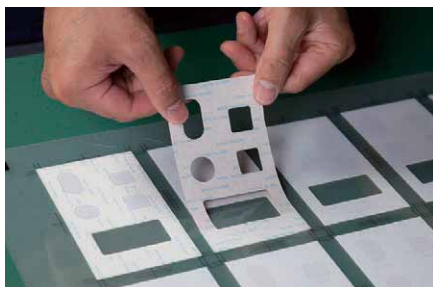
1. Inkjet printing on film



2. Laminating



3. Cutting double-sided tape



4. Sticking double-sided tape on printed film



5. Cutting the sheet to size



6. Embossing



7. Machining on enclosure



8. Sticking overlay sheet onto enclosure



9. Complete

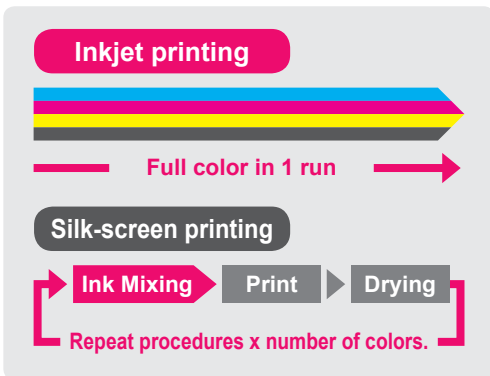
CUSTOMIZATION EXAMPLE



INKJET PRINTING



Full color digitally designed image can be printed in 1 run.
No cost difference regardless of the number of colors used.



Low printing cost
Full color print possible in small quantities

Inkjet printing 1 run only for full color print

Printing cost Full color

Silk-screen printing Printing cost x number of colors

Printing cost Color 1	Printing cost Color 2	Printing cost Color 3	Printing cost Color 4
-----------------------	-----------------------	-----------------------	-----------------------

CNC MACHINING

CNC milling is a form of computer controlled machining. Similar in operation to drilling and cutting, it is able to create various hole styles and shapes by using a rotating cutting tool to bore into the object.



- Mainly used for plastic, aluminium die-cast, and aluminium extrusion material types.
- Able to perform milling for various shapes and sizes.
- Recommended for small quantity customization.

