



Raspberry Pi 4B CASE

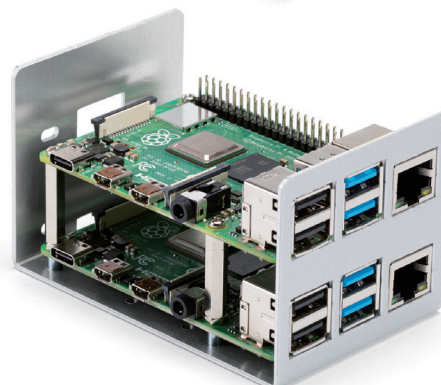
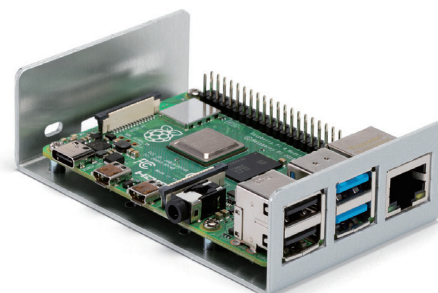
**Wall mounting flanged model and
DIN-rail compatible model are available now!**



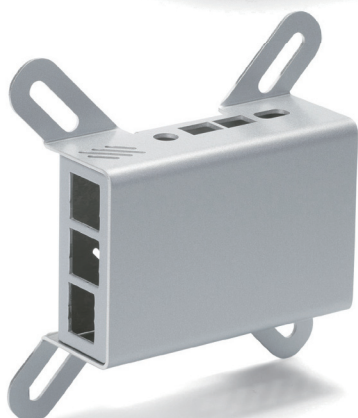
**CASE BOX RACK & CUSTOM
TAKACHI ELECTRONICS ENCLOSURE CO., LTD.**



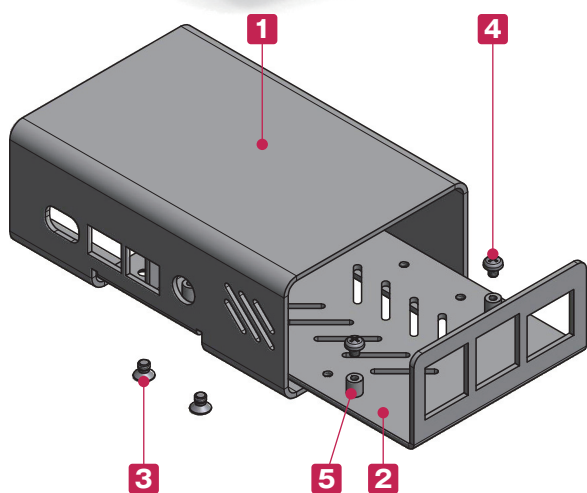
Conductive



Two Raspberry Pi 4B boards can be installed into the RPI-4B-2.



The wall mount screw pitch (75 x 75mm / 100 x 100mm) of RPI-4B-1F is compatible with VESA, and it can be installed on the back side of PC displays, etc.



- Exclusively for use with Raspberry Pi 4B.
- All aluminium, polished and elegant metallic silver finish.
- 3 models are available: Normal, Double-decker, and Flanged.
- Electrically conductive internal surface.
- Raspberry Pi Board is excluded.

Included screws

M3-4 Flat-head x 4 pcs (for case)

M2.5-3 Pan-head x 4 pcs (for board)

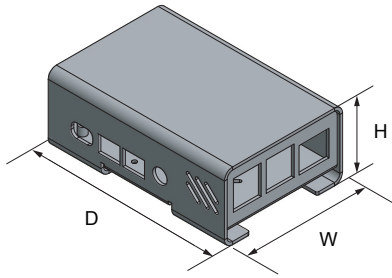
Components

| No. | Part name | Pcs | Material | Color / Finish |
|-----|--------------------------|-----|------------------------|---|
| 1 | Cover | 1 | Aluminium A1100P t=1.5 | Metallic silver / Painted : Conductive inside |
| 2 | Base | 1 | Aluminium A1100P t=1.5 | Metallic silver / Painted : Conductive inside |
| 3 | Screw (M3-4 Flat-head) | 4 | Steel | Trivalent chromate |
| 4 | Screw for Board (M2.5-3) | 4 | Brass | Nickel plated |
| 5 | Clinching standoff | 4 | Steel | Trivalent chromate |

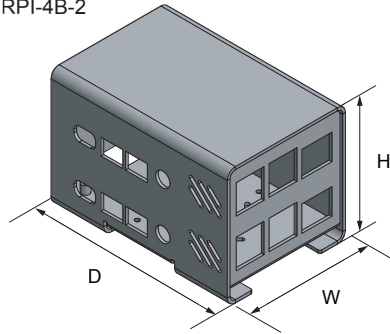
RPI dimensions

■ Drawings below are reference examples only.
DXF/DWG/PDF drawings available on our website.

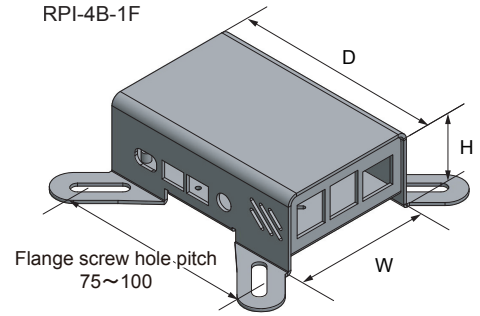
RPI-4B-1



RPI-4B-2



RPI-4B-1F



Product no. / Dimensions

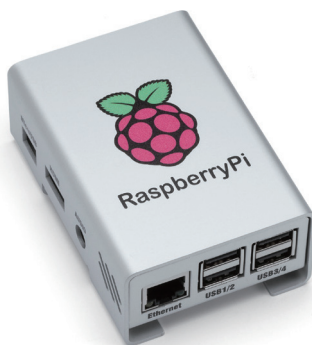
| Product no. | Dimensions | | | Included accessory | Weight (g) |
|-------------|------------|----|----|---------------------------------|------------|
| | W | H | D | | |
| RPI-4B-1 | 65 | 37 | 97 | Rubber feet | 91.5 |
| RPI-4B-2 | 65 | 65 | 97 | Rubber feet Hexagonal spacer | 138.8 |
| RPI-4B-1F | 65 | 37 | 97 | — | 93.8 |

■ Rubber feet . . . Synthetic rubber / Black Hexagonal spacer . . . Brass / Nickel plated

Raspberry Pi Case customization

Unique Logo (Inkjet print, Engraving)

Inkjet printing services are available from just 1 piece, with a low initial cost.
Engraving is also available.



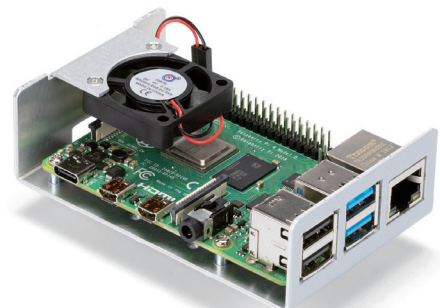
Size adjustment

Size can be customized to fit your PCB.



Heat dissipation

Fan installation is possible with base shape customization.

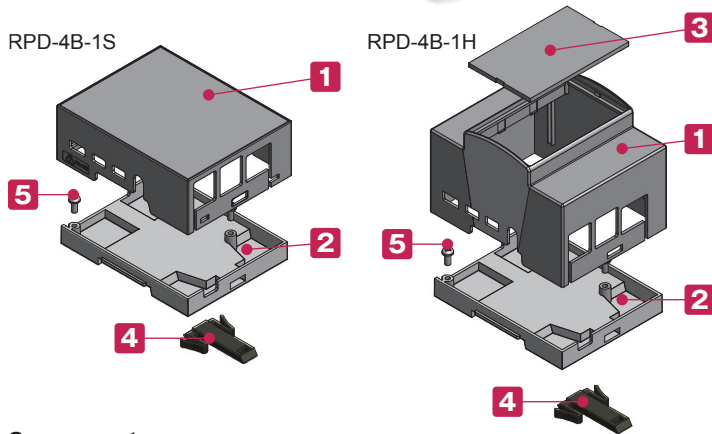


Color Anodizing · Painting





RPD-4B-1S



- Exclusively for use with Raspberry Pi 4B.
- Exclusively for use with 35mm DIN rail.
- Able to assemble easily with a flathead screwdriver; no screws required.
- *Caution : Material may easily break when assembling.

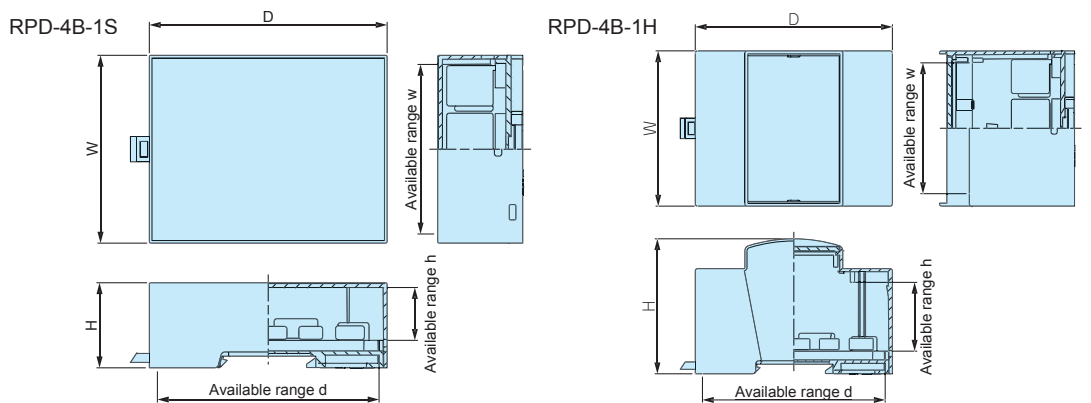
■ Raspberry Pi Board is excluded.

Components

| No. | Part name | Pcs | Material | Color / Finish |
|-----|------------------------------|-----|-----------------------|----------------|
| 1 | Body | 1 | PC + ABS | Gray |
| 2 | Base | 1 | PC + ABS | Gray |
| 3 | Front panel (RPD-4B-1H only) | 1 | Polycarbonate t = 2.0 | Transparent |
| 4 | Hook | 1 | PPO | Black |
| 5 | Screw for Board (M3-6) | 2 | Stainless steel | Unfinished |

RPD dimensions

■ Drawings below are reference examples only.
DXF/DWG/PDF drawings available on our website.



Product no. / Dimensions

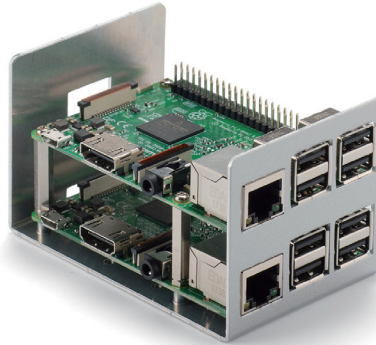
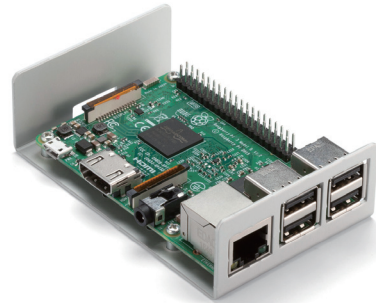
| Product no. | Dimensions | | | | | | Weight (g) |
|-------------|------------|------|------|------|------|------|------------|
| | W | H | D | w | h | d | |
| RPD-4B-1S | 71.1 | 32.2 | 90 | 64.1 | 20.1 | 83.9 | 46.8 |
| RPD-4B-1H | 71.3 | 62 | 90.5 | 60.3 | 31.7 | 83.9 | 68.1 |

TAKACHI ELECTRONICS ENCLOSURE CO., LTD.

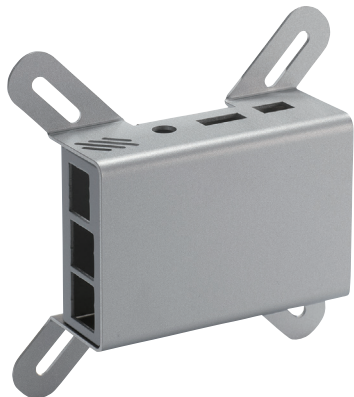
3-21-16 Higashi-ryoke,
Kawaguchi, Saitama 332-0003, JAPAN
Tel. +81-48-222-5409

www.takachi-enclosure.com
sales@takachi-el.co.jp

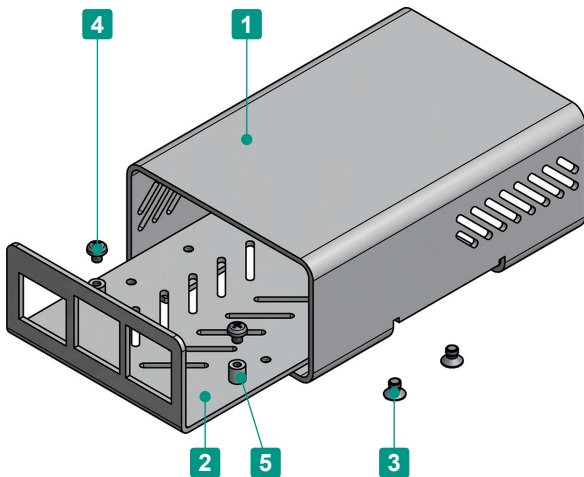
● All items listed in this catalogue are compliant with EU RoHS 10 standard.



Two Raspberry Pi boards can be installed in RPI-2 model.



RPI-1F is compatible with VESA formula screw pitch (75 x 75mm / 100 x 100mm) and can be installed on the back side of PC displays, etc.



- Exclusively for use with Raspberry Pi.
Compatible with Raspberry Pi 2B, 3B and 3B+ boards.
- All aluminium, polished and elegant metallic silver finish.
- 3 types are available: normal, double-layered, and flanged.
- The internal part is made to be conductive.
- Raspberry Pi Board is not included.

Included screws
M3-4 Flat-head x 4 pcs (for case)
M2.5-3 Pan-head x 4 pcs (for board)

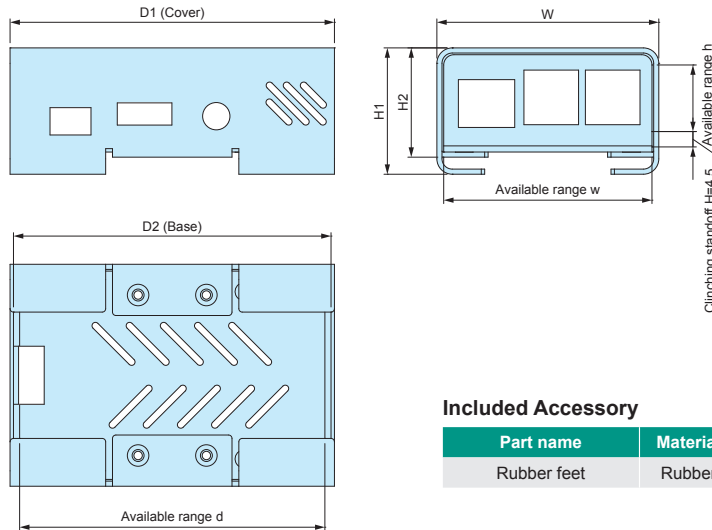
Components

| No. | Part name | Pcs | Material | Color / Finish |
|-----|--------------------------|-----|------------------------|---|
| 1 | Cover | 1 | Aluminium A1100P t=1.5 | Metallic silver / Painted : Conductive inside |
| 2 | Base | 1 | Aluminium A1100P t=1.5 | Metallic silver / Painted : Conductive inside |
| 3 | Screw (M3-4 Flat-head) | 4 | Steel | Trivalent chromate |
| 4 | Screw for Board (M2.5-3) | 4 | Brass | Nickel plated |
| 5 | Clinching standoff | 4 | Steel | Trivalent chromate |

RPI dimensions

■ Drawings below are reference examples only.
DXF/DWG/PDF drawings available on our website.

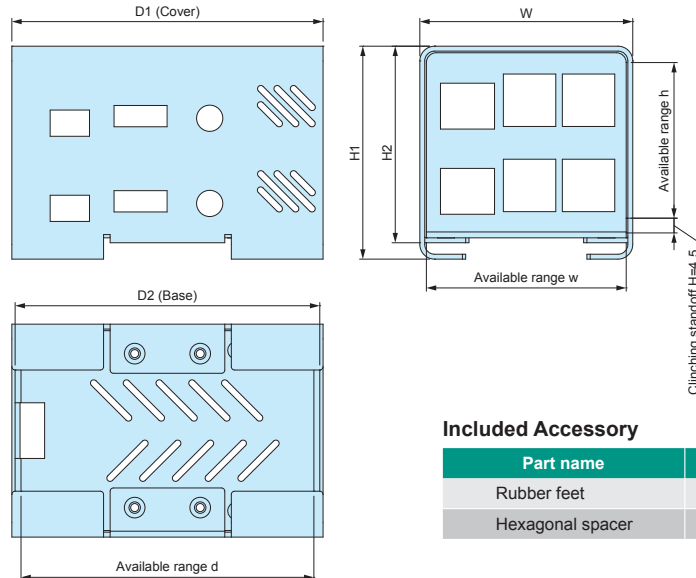
RPI-1



Included Accessory

| Part name | Material | Color / Finish |
|-------------|----------|----------------|
| Rubber feet | Rubber | Black |

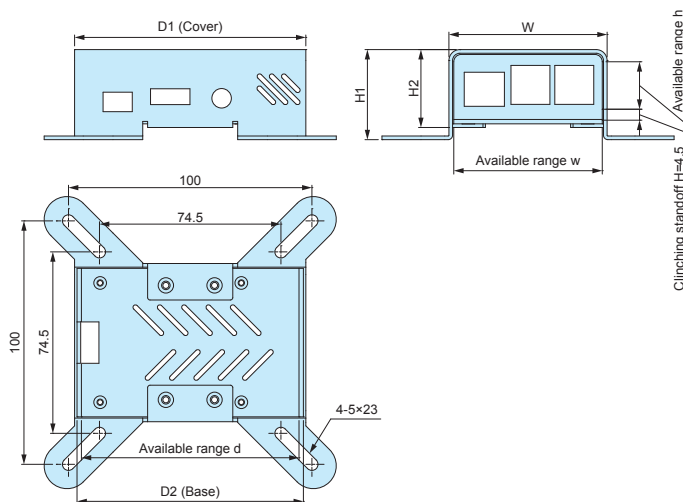
RPI-2



Included Accessory

| Part name | Material | Color / Finish |
|------------------|----------|----------------|
| Rubber feet | Rubber | Black |
| Hexagonal spacer | Brass | Nickel plated |

RPI-1F



Components

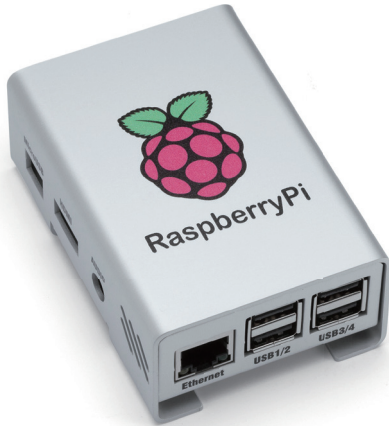
| Product no. | W | H1 | H2 | D1 | D2 | w | h | d | Weight (g) |
|-------------------|----|----|----|----|----|----|------|----|------------|
| NEW RPI-1 | 65 | 37 | 32 | 95 | 93 | 61 | 19.5 | 90 | 90.5 |
| NEW RPI-2 | 65 | 65 | 60 | 95 | 93 | 61 | 47.5 | 90 | 136 |
| NEW RPI-1F | 65 | 37 | 32 | 95 | 93 | 61 | 19.5 | 90 | 91.5 |

Raspberry Pi Case customization

Create your very own unique Raspberry Pi Case!

Unique Logo (Inkjet print, Engraving)

Inkjet printing services are available from just 1 piece, with low initial cost. Engraving is also available.



Size adjustment

Size can be customized to fit your PCB.



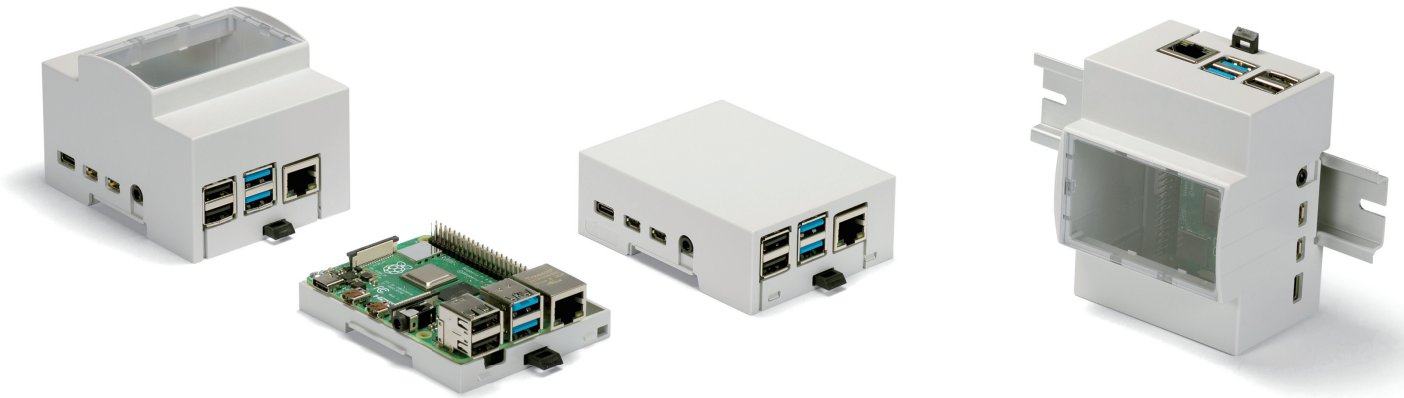
Stainless Steel material

Stainless steel material can also be used for customization.

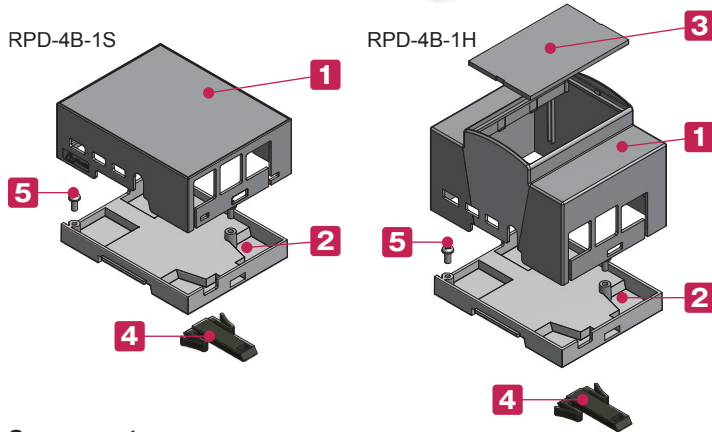


Color Anodizing · Painting





RPD-4B-1S



- Exclusively for use with Raspberry Pi 4B.
- Exclusively for use with 35mm DIN rail.
- Able to assemble easily with a flathead screwdriver; no screws required.
- *Caution : Material may easily break when assembling.

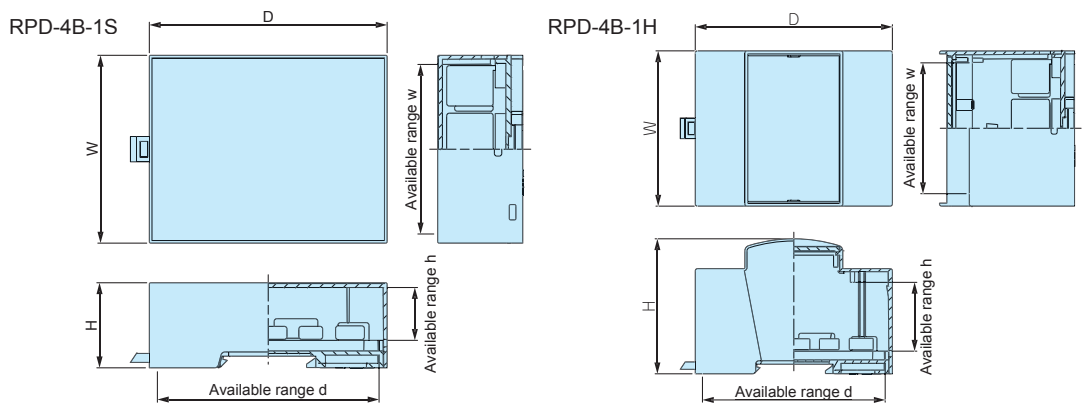
■ Raspberry Pi Board is excluded.

Components

| No. | Part name | Pcs | Material | Color / Finish |
|-----|------------------------------|-----|-----------------------|----------------|
| 1 | Body | 1 | PC + ABS | Gray |
| 2 | Base | 1 | PC + ABS | Gray |
| 3 | Front panel (RPD-4B-1H only) | 1 | Polycarbonate t = 2.0 | Transparent |
| 4 | Hook | 1 | PPO | Black |
| 5 | Screw for Board (M3-6) | 2 | Stainless steel | Unfinished |

RPD dimensions

■ Drawings below are reference examples only.
DXF/DWG/PDF drawings available on our website.



Product no. / Dimensions

| Product no. | Dimensions | | | | | | Weight (g) |
|-------------|------------|------|------|------|------|------|------------|
| | W | H | D | w | h | d | |
| RPD-4B-1S | 71.1 | 32.2 | 90 | 64.1 | 20.1 | 83.9 | 46.8 |
| RPD-4B-1H | 71.3 | 62 | 90.5 | 60.3 | 31.7 | 83.9 | 68.1 |

TAKACHI ELECTRONICS ENCLOSURE CO., LTD.

3-21-16 Higashi-ryoke,
Kawaguchi, Saitama 332-0003, JAPAN
Tel. +81-48-222-5409

www.takachi-enclosure.com
sales@takachi-el.co.jp

● All items listed in this catalogue are compliant with EU RoHS 10 standard.