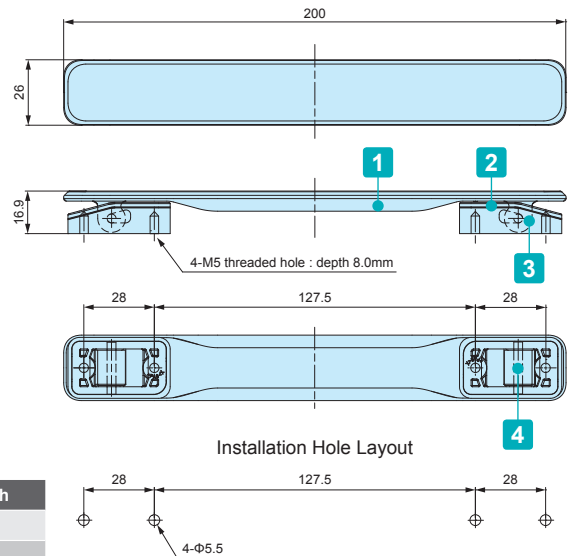


FM200 SERIES

ELASTOMER CARRYING HANDLE



DXF/DWG/PDF drawings available on our website.



Comfortable and easy to grip elastomer handle.

Technical Data	
Max load : 20kg	

Components

No.	Part name	Pcs	Material	Color / Finish
1	Grip	1	PU	Black • Gray
2	Base	2	PA6	Black • Gray
3	Base cover	2	ABS	Black • Gray
4	Shaft	2	SWCH	Nickel plated
—	Screw (Pan head tapping M5-8)	4	Steel	Trivalent chromate

Product no.

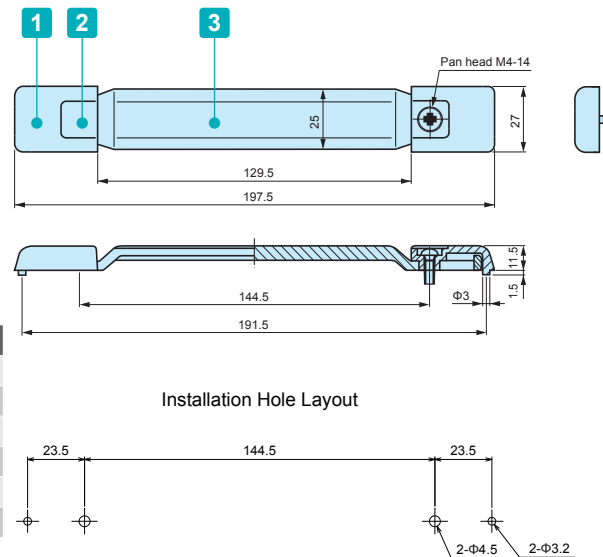
Product no.	
● Black	● Gray
NEW FM200B	NEW FM200G

MH SERIES

CARRYING HANDLE



DXF/DWG/PDF drawings available on our website.



Components

No.	Part name	Pcs	Material	Color / Finish
1	Holder	2	PC + ABS	Black • Gray
2	Blind cap	2	PP + Elastomer	Black • Gray
3	Grip	1	PP + Elastomer	Black • Gray
—	Screw (Pan head M4-14)	2	Steel	Trivalent chromate
—	Nut	2	Steel	Trivalent chromate
—	Spring washer	2	Steel	Trivalent chromate

Product no.

Product no.	
● Black	● Gray
MH-197B	MH-197G

Technical Data	
Max load : 20kg	

HK SERIES

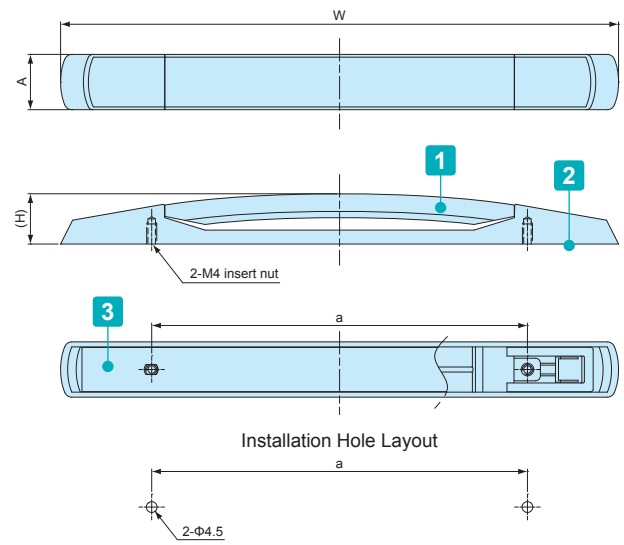
ELASTOMER CARRYING HANDLE

■ DXF/DWG/PDF drawings available on our website.



■ Elastomer handle that is comfortable to grip.

Technical Data	
Max load : 20kg	



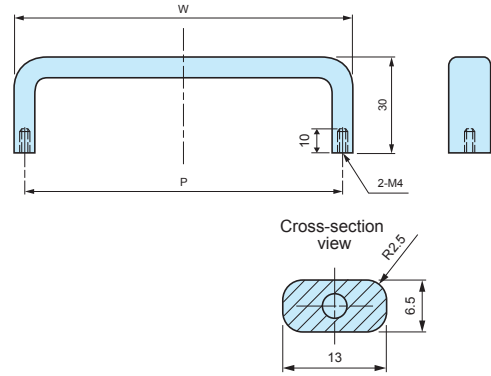
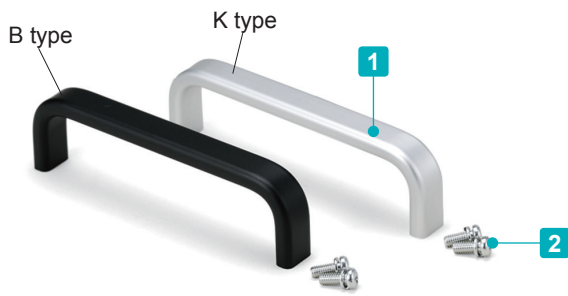
Components

No.	Part name	Pcs	Material	Color / Finish
1	Grip	1	Elastomer	Black
2	Base	1	Polyamide	Black
3	Reinforcement	1	Stainless steel	Unfinished
—	Screw (Pan head M4-10 with washer)	2	Steel	Trivalent chromate

Product no. / Dimensions

Product no.	W	A	H	a
HK-1	222.5	22	20	149.5
HK-3	183	22	17	110.7

OH SERIES ALUMINIUM HANDLE



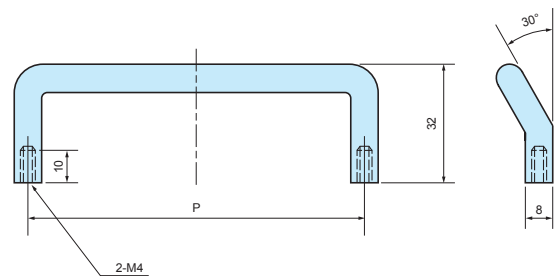
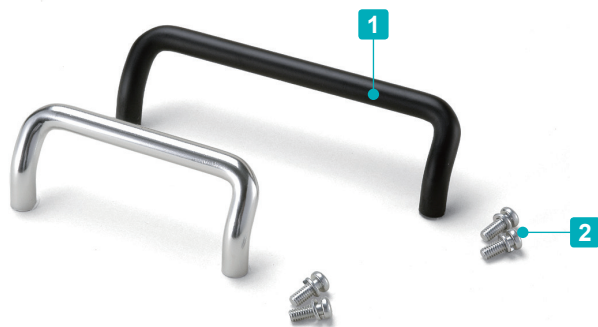
Components

No.	Part name	Pcs	Material	Color / Finish
1	Handle	1	Extruded aluminium A6063S-T5	Matte anodized
2	Screw (M4-10 Pan head with spring washer)	2	Steel	Trivalent chromate

Product no. / Dimensions

Product no.		P	W	Pack of
● Black matte anodized	● Silver matte anodized			
OH- 55B	OH- 55K	55	61.5	2
OH- 70B	OH- 70K	70	76.5	2
OH- 85B	OH- 85K	85	91.5	2
OH-100B	OH-100K	100	106.5	2
OH-120B	OH-120K	120	126.5	2
OH-140B	OH-140K	140	146.5	2
OH-170B	OH-170K	170	176.5	2

KH SERIES ANGLED ALUMINIUM HANDLE



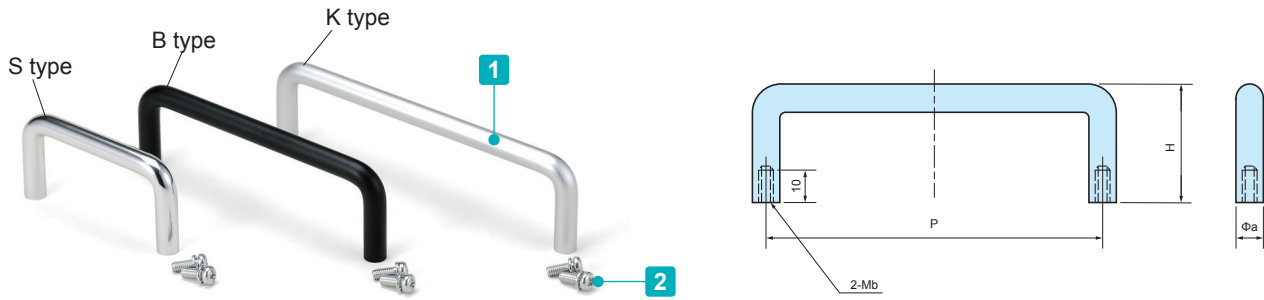
Components

No.	Part name	Pcs	Material	Color / Finish
1	Handle	1	Extruded aluminium A5056S	Polished • Matte anodized
2	Screw (M4-10 Pan head with spring washer)	2	Steel	Trivalent chromate

Product no. / Dimensions

Product no.		P	Pack of
● Silver polished	● Black matte anodized		
KH- 70S	KH- 70B	70	2
KH-100S	KH-100B	100	2

BH SERIES ROUNDED ALUMINIUM HANDLE



Components

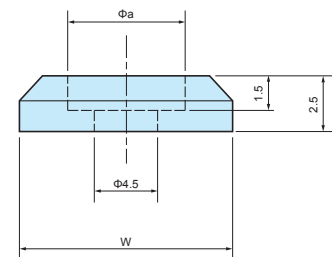
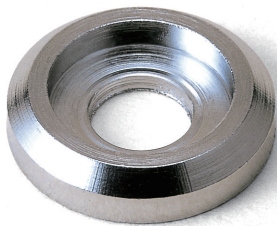
No.	Part name	Pcs	Material	Color / Finish
1	Handle	1	Extruded aluminium A5056S	Polished • Matte anodized
2	Screw	2	Steel	Trivalent chromate

Product no. / Dimensions

■ K type only available on BH-100, 120, 150, and 180 models.

Product no.			P	H	a	b	Pack of
● Silver polished	● Black matte anodized	● Silver matte anodized					
BH- 26S	BH- 26B	-	26	25	6	3	2
BH- 30S	BH- 30B	-	30	35	8	4	2
BH- 50S	BH- 50B	-	50	35	8	4	2
BH- 60S	BH- 60B	-	60	35	8	4	2
BH- 70S	BH- 70B	-	70	35	8	4	2
BH- 80S	BH- 80B	-	80	35	8	4	2
BH-100S	BH-100B	BH-100K	100	35	8	4	2
BH-110S	BH-110B	-	110	35	8	4	2
BH-120S	BH-120B	BH-120K	120	35	8	4	2
BH-150S	BH-150B	BH-150K	150	35	8	4	2
BH-180S	BH-180B	BH-180K	180	35	8	4	2

Z-P SERIES WASHER for HANDLE



■ Brass washer for BH • KH series.

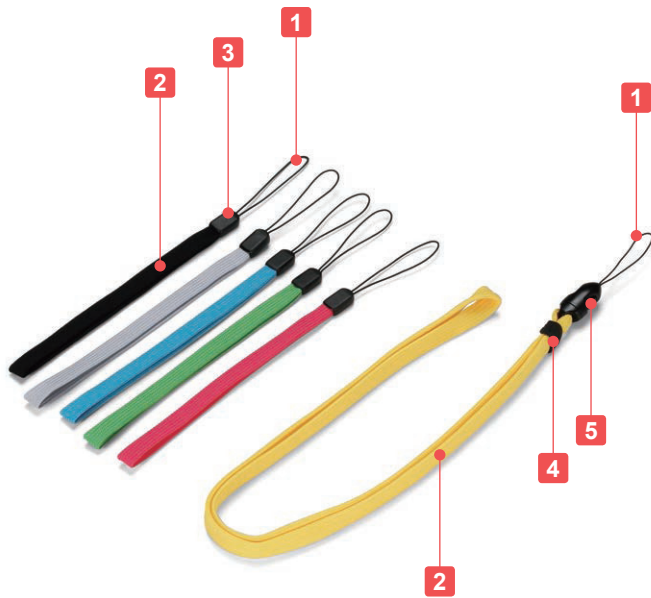
Product no. / Dimensions

■ Material / Brass

Product no.		W	a	Pack of
Chrome plated	Black painted			
Z-P6S	Z-P6B	10	6.2	10
Z-P8S	Z-P8B	12	8.2	10

STPS SERIES

STRAP



Wrist strap (STPS-140P)



Neck strap (STPS-450Y)



- Colorful and sturdy straps best used with CSS, CS and PS series.
- Wrist and Neck straps are available in 6 unique colors.
- Neck strap comes with a quick-release joint, making removal or attachment quick and easy.



Color Type

Code	P Pink	Y Yellow	G Green	C Cyan	L Light gray	B Black
Color						

Components

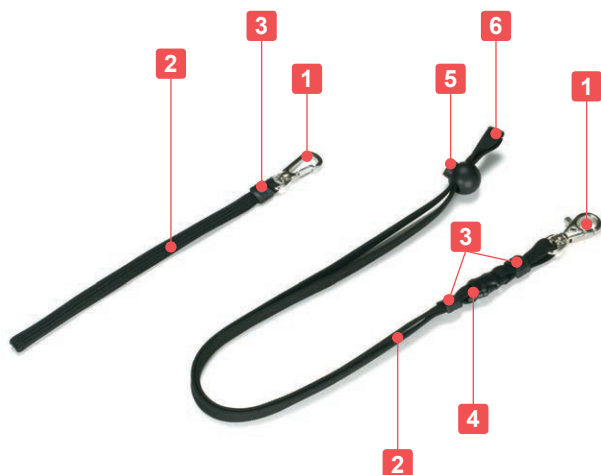
No.	Part name	Material	Color
1	String	Polyester	Black
2	Strap	Polyester	Pink • Yellow • Green • Cyan • Light gray • Black
3	Cap (wrist strap only)	Nylon	Black
4	Clamp (neck strap only)	Elastomer	Black
5	Joint (neck strap only)	Polyacetal	Black

Product no. / Dimensions

Product no.						Strap width	Strap length
○ Pink	● Yellow	● Green	● Cyan	● Light gray	● Black		
STPS-140P	STPS-140Y	STPS-140G	STPS-140C	STPS-140L	STPS-140B	8	140
STPS-450P	STPS-450Y	STPS-450G	STPS-450C	STPS-450L	STPS-450B	10	450

STP SERIES

STRAP

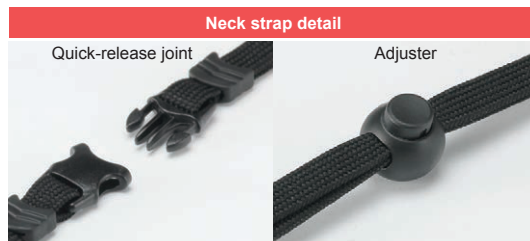


Wrist strap (STP-200)

Neck strap (STP-450)



- Strap with a metal hook
- Recommended to be used with CR key ring.



■ Only the neck strap has a joint and an adjuster.

Components

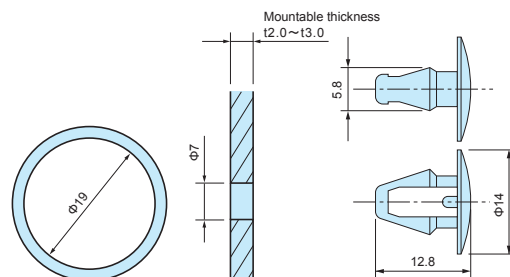
No.	Part name	Pcs	Material	Color / Finish
1	Metal hook	1	Diecast zinc & steel	Nickel plated
2	Strap	1	Nylon / Polyester	Black
3	Cap	1 / 2	Polyurethane / Elastomer	Black
4	Joint (Neck strap only)	1	Polyacetal	Black
5	Adjuster (Neck strap only)	1	Nylon	Black
6	Clamp (Neck strap only)	1	PE	Black

Product no. / Dimensions

Product no.	Strap width	Strap length	Strap material	Cap material
STP-200	8	200	Nylon	Polyurethane x 1
STP-450	10	450	Polyester	Elastomer x 2

CR-20

KEY RING



Components

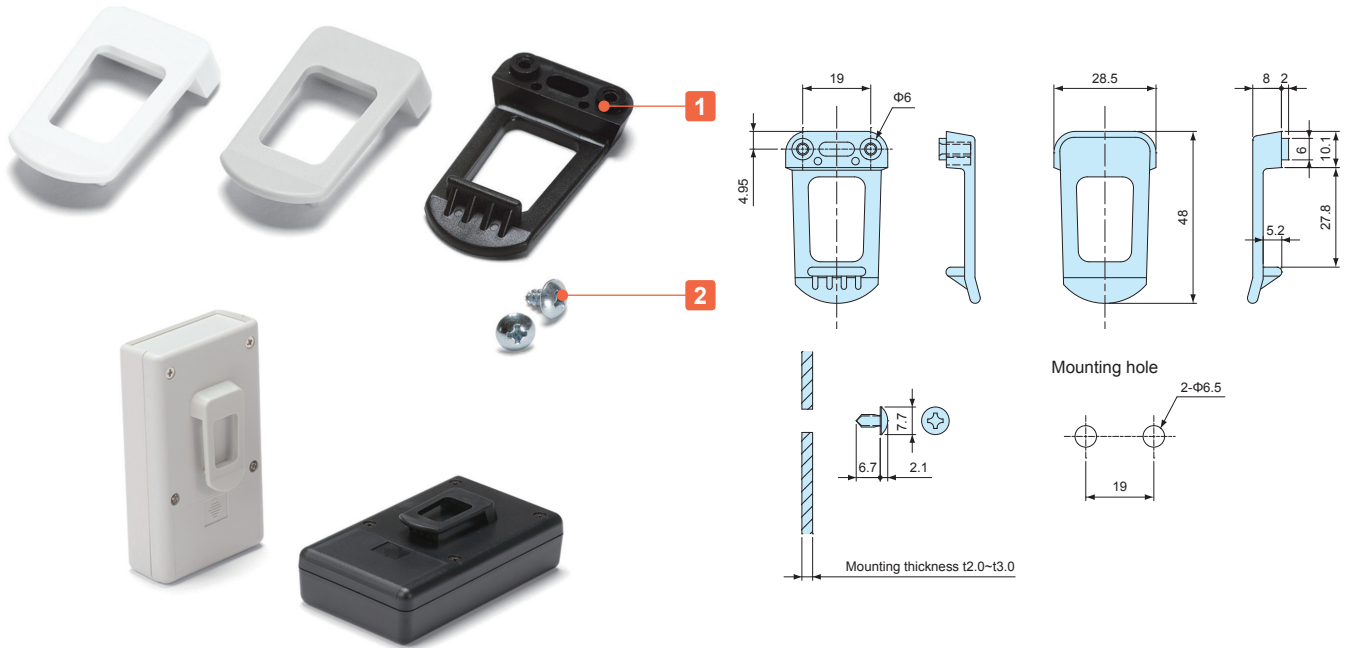
Part name	Material	Color / Finish
Ring	SWRM 6 Steel	Nickel plated
Insert clip	Nylon	Black

- Hole milling is required for case installation.

Product no. / Dimensions

Product no.	Ring Φ	Installation hole	Mounting thickness
CR-20	φ19	φ7	t2.0 ~ t3.0

DXF/DWG/PDF drawings available on our website.



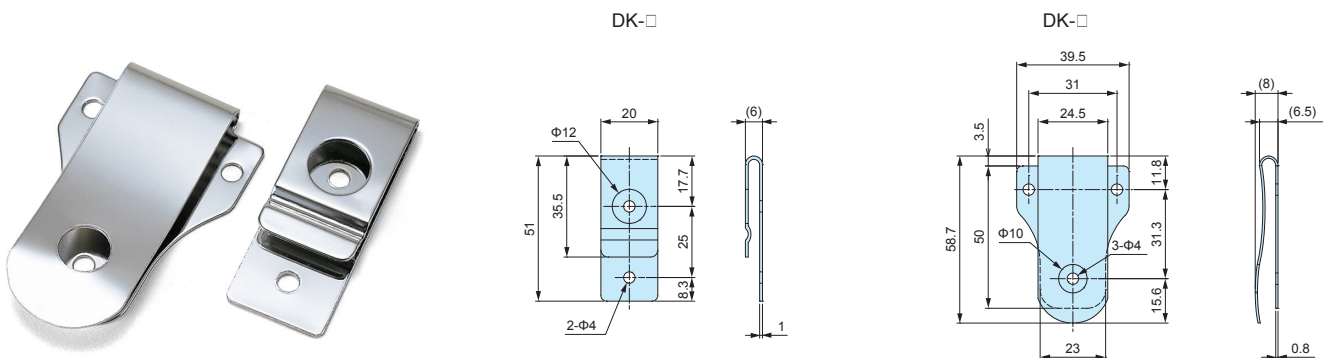
New White color type is added to match LC, PF, and TWN series color.

Components

No.	Holder material	Pcs	Material	Color / Finish
1	Clip	1	ABS UL94HB	White • White gray • Black
2	Screw	2	Steel M3.5-6	Zinc plated

Product no. / Dimensions

Product no.			W	H	D
● White	● White gray	● Black			
NEW GDH-1W	GDH-1G	GDH-1B	28.5	10	48



Product no. / Dimensions

Product no.	Material	Finish
DK-1	Steel SPCC t=1.0	Chrome plated
DK-2	Steel SPCC t=0.8	Chrome plated