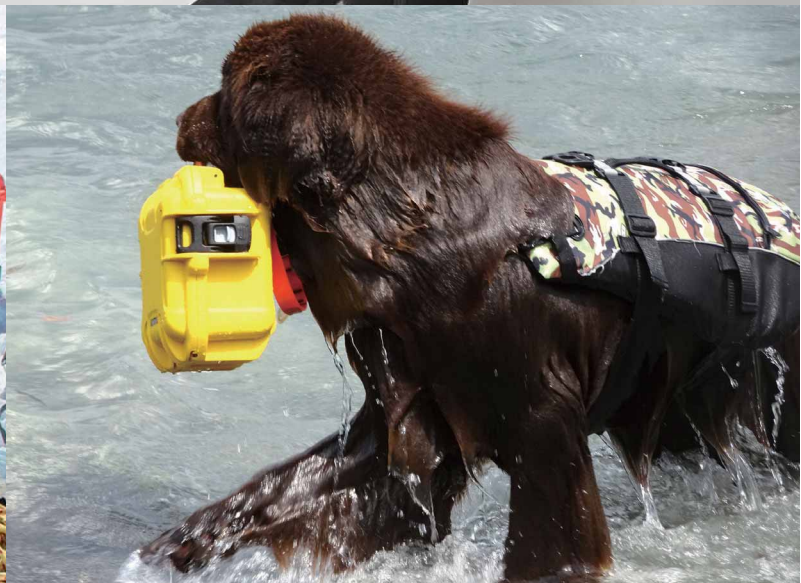


# NANUK™

PROFESSIONAL PROTECTIVE CASES

## THE FUTURE OF PROTECTION CASES

Tough yet stylish.  
Durable and elegant.  
Easily customizable.  
Endless possibilities abound.



OUTDOOR

NANUK-1





# MEASUREMENT



# DRONE



# MEDICAL



# TRANSPORT



# DEFENCE





# NANUK™ THE NANUK ADVANTAGE

## IP65 PROTECTION CLASS

IP65 protection class for use in various environments.

Equipped with durable and weather resistant EPDM gasket.

Waterproof pressure relief valve enables pressure within the case to be equalized with the surrounding, allowing it to be opened with ease, while keeping it waterproof.



## IMPACT RESISTANT-NK-7 RESIN

Impact resistant, lightweight, and armed with reinforced PP, NK-7 resin body.

Keep your items safe from impact damage.



## 22 DIFFERENT SIZES

A large selection of 22 different sizes, ranging from small (148.5 x 109.5 x 43mm) to large (1,196 x 440 x 168mm) types.

Smallest 3 sizes are available in 5 different colors: black, white, clear, lime and marine colors.

Other sizes are available in either black or yellow.



## PROTECTIVE SPONGE FOAM

Nanuk cases are also available with a protective sponge foam.

Sponge foam are fitted to the case, and can also be purchased as separate option (NKSP series).

NKSP sponge foam comes with pre-cubed foam to allow for easy modification by removing the required squares.

(※No pre-cubed foam available for NKSP990).

Sponge customization is also available.

(See page SP-Custom-1~SP-Custom-2)



## POWERCLAW LATCHING SYSTEM and SOFT GRIP HANDLE

NANUK's patented PowerClaw latching system uses compressive force to keep your case tightly clamped.

Integrated slide lock offers added security, preventing it from accidental opening during transport or when dropped.

NANUK's TPE soft grip handle makes carrying not only comfortable, but also convenient.

Handle can be folded down to be flushed with the case when not in use.



※Latch with TSA lock on NKK series



## 100% STAINLESS STEEL PARTS

Metallic parts are made from SUS304 stainless steel.

Suitable to be used in environments with water splashes and so on.



## OPTIONAL ALUMINIUM PANEL for YOUR DEVICE

Optional aluminium panel can make NANUK into your original controller, measuring device or transmitter.

See page NKAP-1 for the details of optional aluminium panel.

NKAP panel customization is available. (See NKAP-2 for more details).

### ●CUSTOMIZATAION on ALUMINIUM PANEL



CUSTOMIZE



NK SERIES

IP65 CARRYING CASE



- Durable and stylishly designed waterproof carrying case.
- Selectable in 18 different sizes, with each model available with, and without foam.
- Suitable for storing electronics and delicate devices such as measuring device, camera, broadcasting device, electric tool, medical equipment, and so on.
- Optional aluminium panel can turn the NK series into your own original controller, measuring device or transmitter.



Technical Data
Protection class : IP65
Operating temperature : -20°C~+60°C



Hinge pin shape varies based on model type

Components

No.	Part name	Material
1	Cover · Base	Reinforced PP (NK-7)
2	Latch	Nylon 66
3	Handle grip	Elastomer
4	Pressure release valve (※1)	Nylon 66 · PTFE

No.	Part name	Material
5	Hinge pin	Stainless steel
6	Gasket	EPDM
7	Foam	Polyurethane / 12.7mm Pitch Pre-cut cubed foam (※2)

※1 Automatic pressure release valve enables pressure within the case to be equalized with the surrounding, allowing it to be opened with ease, while keeping it waterproof.

※2 Pitch of Pre-cut cubed foam for NK940, 945, and 950 models is 15mm.

Accessories(Optional parts)



Divider DVI series  
See page NANUK-ACC-1



Aluminium panel NKAP series  
See page NKAP-1~NKAP-2



Shoulder strap NSTP series  
See page NANUK-ACC-3



Padlock AB145S series  
See page NANUK-ACC-3

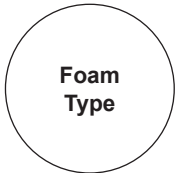
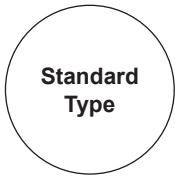


Nameplate sticker NKST series  
See page NANUK-ACC-3

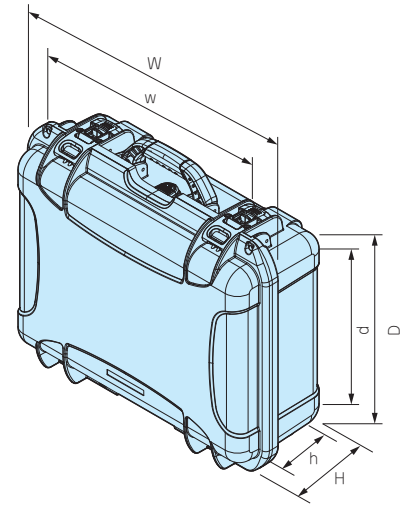


■ Standard Type and Foam Type are available.

**NK dimensions**



■ Drawings below are reference examples only.  
DXF/DWG/PDF drawings available on our website.



※ See page NANUK-ACC-2 pages for optional NKSP foam.

**Product no. / Dimensions**

■ Standard type (without foam)

Product no.		Dimensions (External)			Dimensions (Internal)			Weight (kg)
● Black	● Yellow	W	D	H	w	d	h	
NK903B	NK903Y	231	173	97	180	114	79	0.6
NK904B	NK904Y	259	201	114	200	135	94	0.7
NK905B	NK905Y	318	257	152	220	170	131.5	1.6
<b>NEW</b> NK908B	<b>NEW</b> NK908Y	318	249	203	215	165	181	1.5
<b>NEW</b> NK909B	<b>NEW</b> NK909Y	321	229	111	268	151	86	1.0
NK910B	NK910Y	363	282	120	320	210	95.5	1.4
NK915B	NK915Y	393.5	307	173	320	210	152	2.1
NK918B	NK918Y	427	328	236	350	215	212	2.9
NK920B	NK920Y	424	340	173	360	240	152	2.4
<b>NEW</b> NK923B	<b>NEW</b> NK923Y	472	366	160	391	253	128	2.7
NK925B	NK925Y	475	376	178	410	270	159	2.9
NK930B	NK930Y	503	406	193	430	310	171	3.4
NK933B	NK933Y	503	409	254	430	300	233	3.9
NK935B	NK935Y	559	356	229	415	265	179	5.3
NK940B	NK940Y	557	429	216	480	320	197	3.9
NK945B	NK945Y	638	505	224	530	400	202	5.0
NK950B	NK950Y	579	465	297	420	360	247	7.0
NK960B	—	645	508	368	470	365	316	9.0

■ Foam type (with foam)

Product no.		Dimensions (External)			Dimensions (Internal)			Weight (kg)
● Black	● Yellow	W	D	H	w	d	h	
NK903BS	<b>NEW</b> NK903YS	231	173	97	180	114	79	0.63
NK904BS	<b>NEW</b> NK904YS	259	201	114	200	135	94	0.81
NK905BS	<b>NEW</b> NK905YS	318	257	152	220	170	131.5	1.7
<b>NEW</b> NK908BS	<b>NEW</b> NK908YS	318	249	203	215	165	181	1.7
<b>NEW</b> NK909BS	<b>NEW</b> NK909YS	321	229	111	268	151	86	1.2
NK910BS	<b>NEW</b> NK910YS	363	282	120	320	210	95.5	1.5
NK915BS	<b>NEW</b> NK915YS	393.5	307	173	320	210	152	2.4
NK918BS	<b>NEW</b> NK918YS	427	328	236	350	215	212	2.9
NK920BS	<b>NEW</b> NK920YS	424	340	173	360	240	152	2.7
<b>NEW</b> NK923BS	<b>NEW</b> NK923YS	472	366	160	391	253	128	3.1
NK925BS	<b>NEW</b> NK925YS	475	376	178	410	270	159	3.3
NK930BS	<b>NEW</b> NK930YS	503	406	193	430	310	171	3.9
NK933BS	<b>NEW</b> NK933YS	503	409	254	430	300	233	4.6
NK935BS	<b>NEW</b> NK935YS	559	356	229	415	265	179	6.0
NK940BS	<b>NEW</b> NK940YS	557	429	216	480	320	197	4.6
NK945BS	<b>NEW</b> NK945YS	638	505	224	530	400	202	6.0
NK950BS	<b>NEW</b> NK950YS	579	465	297	420	360	247	8.0
NK960BS	—	645	508	368	470	365	316	10.5

**NKK SERIES**

**IP65 CARRYING CASE with LOCK**



- Equipped with a TSA lock latch for security, or transportation as check-in baggage.
- Available in 15 different sizes, with 2 different types available Without foam and With foam.
- Optional aluminium panel can turn the NKK series into your own original controller, measuring device or transmitter.



Technical Data	
Protection class :	IP65
Operating temperature :	-20°C~+60°C



Latch with TSA lock



2 Keys included.

**What is TSA LOCK?**

TSA LOCK is a global security system which allows passengers to lock their luggage, while at the same time, permitting security authorities to inspect them without damage to the lock or luggage.



**Accessories(Optional parts)**



Divider DVI series  
See page NANUK-ACC-1



Aluminium panel NKAP series  
See page NKAP-1~NKAP-2



Shoulder strap NSTP series  
See page NANUK-ACC-3



Foam NKSP series  
See page NANUK-ACC-2



Nameplate sticker NKST series  
See page NANUK-ACC-3



Hinge pin shape varies based on model type

**Components**

No.	Part name	Material
1	Cover · Base	Reinforced PP (NK-7)
2	Latch	Nylon 66 · Zinc alloy
3	Handle grip	Elastomer
4	Pressure release valve (※1)	Nylon 66 · PTFE
5	Hinge pin	Stainless steel

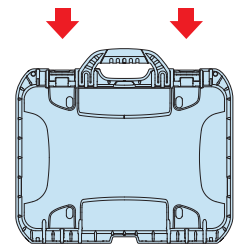
No.	Part name	Material
6	Gasket	EPDM
7	Foam	Polyurethane / 12.7mm Pitch Pre-cut cubed foam (※2)
8	Key	Brass · PP

※1 Automatic pressure release valve enables pressure within the case to be equalized with the surrounding, allowing it to be opened with ease, while keeping it waterproof.

※2 Pitch of Pre-cut cubed foam for NK940, 945, and 950 models is 15mm.

**NKK945 and NKK960 models**

Only 2 latches (below illustration) are equipped with TSA lock (out of 4 latches).



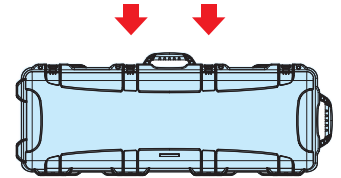
**Product no. / Dimensions**

**Standard type (without foam)**

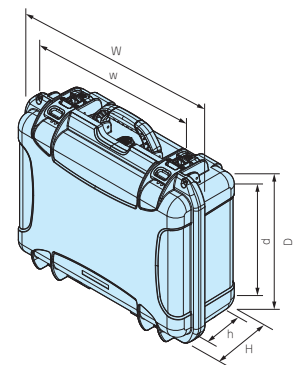
Product no.	Dimensions (External)			Dimensions (Internal)			Weight (kg)
	W	D	H	w	d	h	
● Black							
NKK905B	318	257	152	220	170	131.5	1.6
<b>NEW</b> NKK908B	318	249	203	215	165	181	1.5
NKK915B	393.5	307	173	320	210	152	2.1
NKK918B	427	328	236	350	215	212	2.9
NKK920B	424	340	173	360	240	152	2.4
<b>NEW</b> NKK923B	472	366	160	391	253	128	2.7
NKK925B	475	376	178	410	270	159	2.9
NKK930B	503	406	193	430	310	171	3.4
NKK933B	503	409	254	430	300	233	3.9
NKK935B	559	356	229	415	265	179	5.3
NKK940B	557	429	216	480	320	197	3.9
NKK945B	638	505	224	530	400	202	5.0
NKK950B	579	465	297	420	360	247	7.0
NKK960B	645	508	368	470	365	316	9.0
<b>NEW</b> NKK990B	1,196	440	168	1,070	340	143.5	8.3

**NKK990 model**

Only 2 latches (below illustration) are equipped with TSA lock (out of 4 latches).



**NKK dimensions**



**Foam type (with foam)**

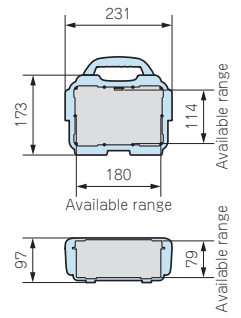
Product no.	Dimensions (External)			Dimensions (Internal)			Weight (kg)
	W	D	H	w	d	h	
● Black							
<b>NEW</b> NKK905BS	318	257	152	220	170	131.5	1.7
<b>NEW</b> NKK908BS	318	249	203	215	165	181	1.7
<b>NEW</b> NKK915BS	393.5	307	173	320	210	152	2.4
<b>NEW</b> NKK918BS	427	328	236	350	215	212	2.9
<b>NEW</b> NKK920BS	424	340	173	360	240	152	2.7
<b>NEW</b> NKK923BS	472	366	160	391	253	128	3.1
<b>NEW</b> NKK925BS	475	376	178	410	270	159	3.3
<b>NEW</b> NKK930BS	503	406	193	430	310	171	3.9
<b>NEW</b> NKK933BS	503	409	254	430	300	233	4.6
<b>NEW</b> NKK935BS	559	356	229	415	265	179	6.0
<b>NEW</b> NKK940BS	557	429	216	480	320	197	4.6
<b>NEW</b> NKK945BS	638	505	224	530	400	202	6.0
<b>NEW</b> NKK950BS	579	465	297	420	360	247	8.0
<b>NEW</b> NKK960BS	645	508	368	470	365	316	10.5
<b>NEW</b> NKK990BS	1,196	440	168	1,070	340	143.5	9.8



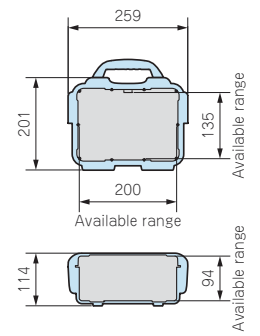
NK • NKK dimensions

DXF/DWG/PDF drawings available on our website.

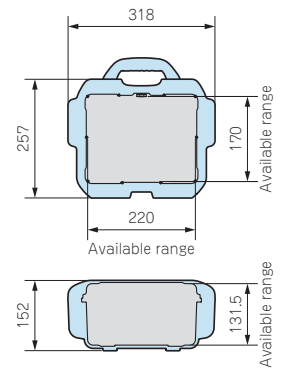
# NK 903



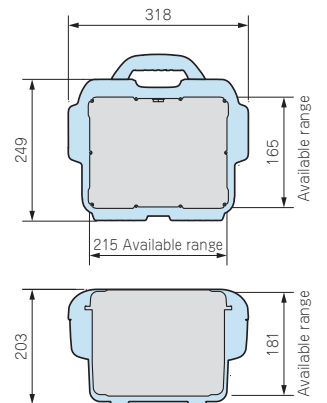
# NK 904



# NK/NKK 905



# NK/NKK 908 NEW

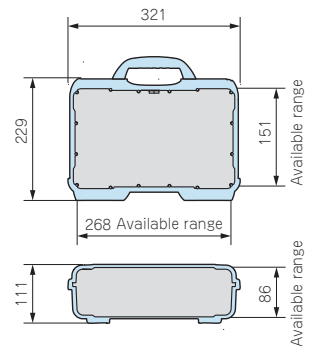


NK • NKK-1

NK • NKK dimensions

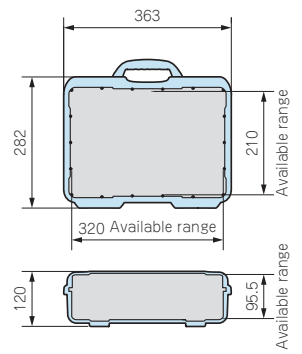
DXF/DWG/PDF drawings available on our website.

**NK 909** NEW



**NK 910**

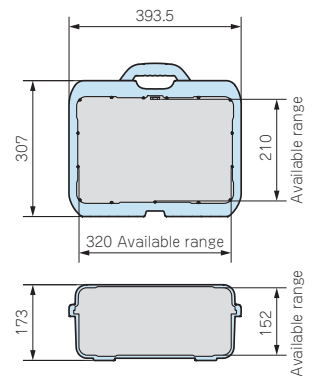
NK910 is able to install optional aluminium panels on both the cover and base. (See page NKAP-1~NKAP-2)



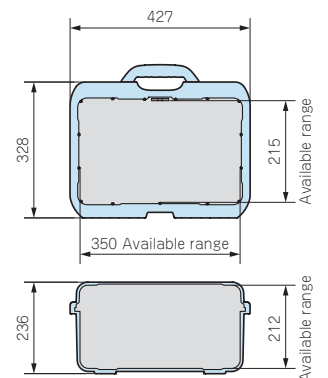
**NK/NKK 915**

**APPLICATION EXAMPLE**

EDUCATIONAL TABLET AID PACK  
Product by FUJISOFT (Japan)



**NK/NKK 918**

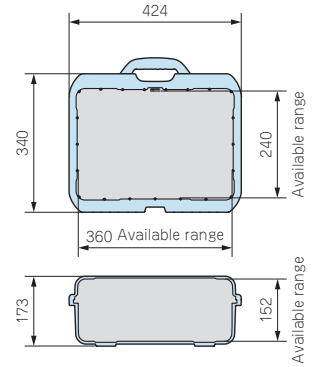




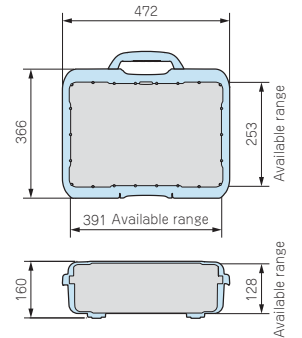
**NK • NKK dimensions**

■ DXF/DWG/PDF drawings available on our website.

**NK/NKK 920**



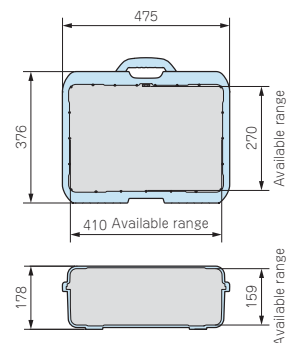
**NK/NKK 923 NEW**



**NK/NKK 925**



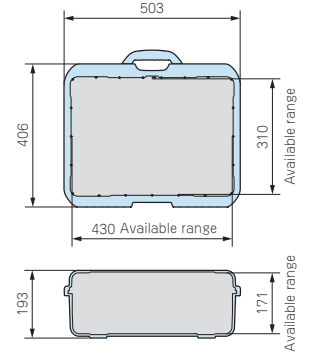
**APPLICATION EXAMPLE**  
ELECTRIC PROSPECTING / LOGGING DEVICE  
Product by OYO CORPORATION (Japan)



NK • NKK dimensions

■ DXF/DWG/PDF drawings available on our website.

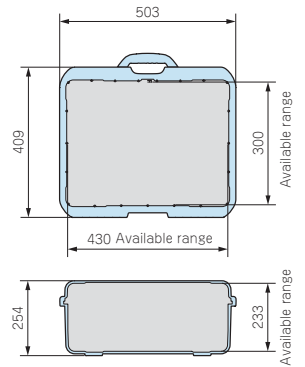
## NK/NKK 930



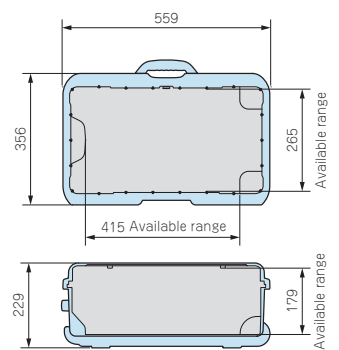
### APPLICATION EXAMPLE

PRESS BREAK CHECKER  
Product by Shinohara Press Service (Japan)

## NK/NKK 933



## NK/NKK 935

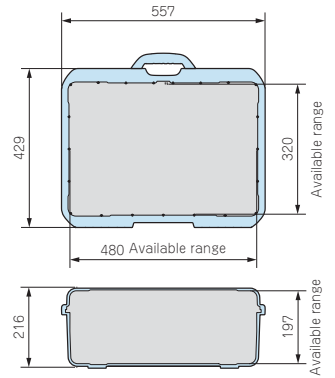


Equipped with a 2 stage retractable handle and polyurethane wheels.

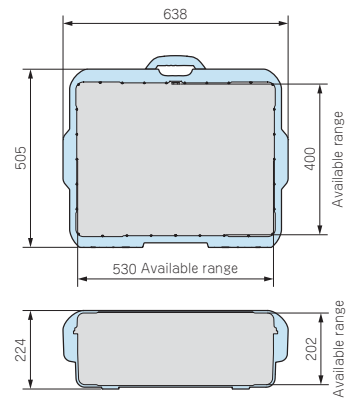
Cover can be detached by pulling out the hinge pin.  
※Hinge pin shape varies based by model type.



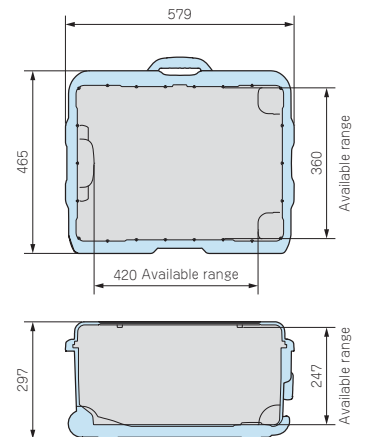
## NK/NKK 940



## NK/NKK 945



## NK/NKK 950



Equipped with a 2 stage retractable handle and polyurethane wheels.

NK • NKK dimensions

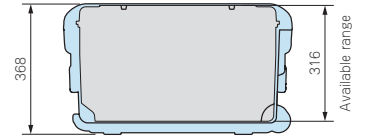
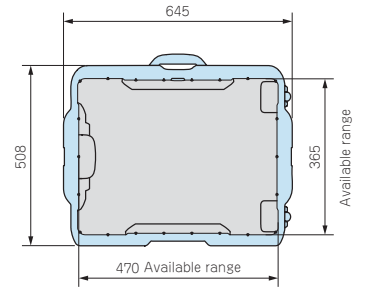
DXF/DWG/PDF drawings available on our website.

NK/NKK 960

※ ( ) values are for NK • NKK935 and 950 models.



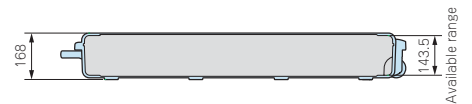
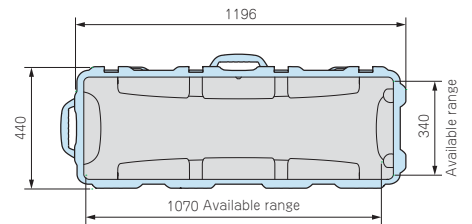
Equipped with a 2 stage retractable handle and polyurethane wheels.



NKK 990



Equipped with polyurethane wheels.





# NANO SERIES

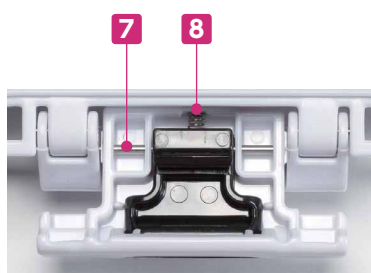
# WATERPROOF PORTABLE CASE



- IP65 waterproof compact and stylish case.
- Slit holes on both sides for strap or belt.
- Suitable for storing small electric devices such as mobile phones, wireless devices, portable radios, and so on.



Technical Data
Protection class : IP65
Operating temperature : -20°C~+60°C



Latch (lock mechanism) side



Hinge Side

### ● How To Use Strap



Insertion of clip into the case



Use as handy strap



Insert strap end into the loop after clip insertion.



Fix it to the belt loop, etc.

### Components

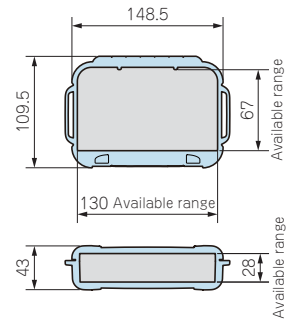
No.	Part name	Material
1	Cover · Base	Polycarbonate
2	Protective net	Silicone
3	Lock lever	Polycarbonate
4	Corner guard	Elastomer
5	Gasket	Elastomer
6	Strap	Nylon · Nylon 66
7	Latch pin	Stainless steel
8	Spring	Stainless steel
9	Pressure relief valve (※)	Nylon 66 · PTFE

※ Waterproof pressure relief valve enables pressure within the case to be equalized with the surrounding, allowing it to be opened with ease, while keeping it waterproof.

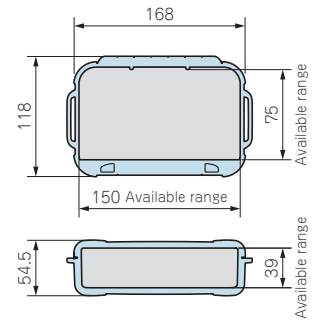
**NANO dimensions**

■ Drawings below are reference examples only.  
DXF/DWG/PDF drawings available on our website.

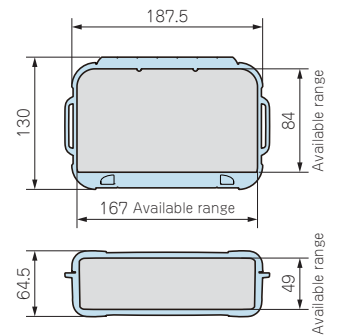
**NANO 310**



**NANO 320**



**NANO 330**



**Product no. / Dimensions**

Product no.					Dimensions (External)			Dimensions (Internal)			Weight (g)
● Black	● White	● Clear	● Lime	● Marine	W	D	H	w	d	h	
NANO310B	NANO310W	NANO310C	NANO310L	NANO310M	148.5	109.5	43	130	67	28	265
NANO320B	NANO320W	NANO320C	NANO320L	NANO320M	168	118	54.5	150	75	39	350
NANO330B	NANO330W	NANO330C	NANO330L	NANO330M	187.5	130	64.5	167	84	49	450

**Applicable for use as electronic and communication devices**

PCB can be installed with PCB mounting screw MT series.  
NANO series can also be used as a pole mounted communication device.



**Accessories(Optional parts)**



Aluminium panel NKAP series  
See page NKAP-1~NKAP-2



PCB mounting screw MT series  
See page NKAP-1



Nameplate sticker NKST series  
See page NANUK-ACC-3





**NKAP SERIES**

**ALUMINIUM PANEL for NANO · NK · NKK**

← NEW SIZE →



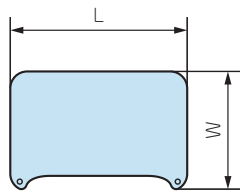
Optional aluminium panel can be used as a controller control / display, measuring device, transmitter, and so on.

Drawings below are reference examples only. DXF/DWG/PDF drawings available on our website.

**NKAP dimensions**

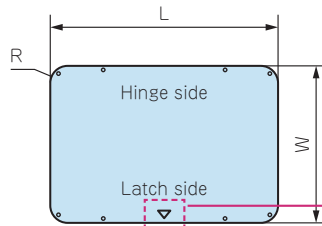
**NANO series**

Slide insert and screw fastening



**NK · NKK series**

Required screws vary based on size



※Install panel with ▽marking towards the latch.

**Components**

No.	Part name	Material
1	Panel	Aluminium (Anodized)
2	Screw	Stainless steel

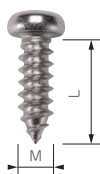


**Product no. / Dimensions**

Product no.	Suitable case	Thickness	L	W	R	▽ marking	Screw pcs	Weight (g)
NKAP310	NANO310	2	136.2	90.6	13	—	2	59
NKAP320	NANO320	2	156.8	100.4	15.7	—	2	75
NKAP330	NANO330	2	175.9	112.2	17	—	2	94
NKAP903	NK903	1.5	198.5	136.5	15	—	4	109
NKAP904	NK904	1.5	226	163.5	18	—	4	149
NKAP905	NK/NKK905	1.5	257	207	21.5	—	4	214
<b>NEW</b> NKAP908	NK/NKK908	1.5	250.9	200.1	18	—	4	203
<b>NEW</b> NKAP909	NK909	1.5	304.7	190.4	18	—	4	234
NKAP910	NK910 base side	2	346	244.5	17	—	4	452
NKAP910C	NK910 cover side	1.5	339.5	238	14	—	4	329
NKAP915	NK / NKK915	2	368.5	254	28	○	8	496
NKAP918	NK / NKK918	2	397.5	268.5	27	—	8	574
NKAP920	NK / NKK920	2	399.5	285	28	○	8	606
<b>NEW</b> NKAP923	NK / NKK923 base side	2	446.3	309.1	28	—	8	737
<b>NEW</b> NKAP923C	NK / NKK923 cover side	2	438.3	301.1	23.5	—	8	704
NKAP925	NK/NKK925	2	451.5	318	28	○	8	760
NKAP930	NK/NKK930	2	476	350.5	27	○	8	880
NKAP933	NK/NKK933	2	477.5	352	27	—	8	908
NKAP935	NK/NKK935	2	535	301.5	26.5	○	8	855
NKAP940	NK/NKK940	2	526.5	374	27	○	10	1,050
NKAP945	NK/NKK945	2	576.5	450	26.5	○	10	1,395
<b>NEW</b> NKAP950	NK/NKK950	2	540.8	409.1	27	—	10	1,179
<b>NEW</b> NKAP960	NK/NKK960	2	579.7	454.2	27	—	10	1,402

**MT SERIES**

**PCB MOUNTING SCREW for NANO**



PCB should be the same size as NKAP series aluminium panel.  
Insert PCB into groove (see diagram to the right) and screw into the screw marking.

**Product no. / Dimensions**

Product no.	M	L	Pcs
MT2.6-8T	2.6	8	2

Material : Stainless steel

# CUSTOMIZATION on ALUMINIUM PANEL

- Customization services such as CNC milling, punching press, digital inkjet printing, silkscreen printing, and engraving on NKAP panel are available.
- Custom colors can also be performed either through anodization, or painting.



- Self-clinching Standoff/Stud/Nut or Welded Fastener customization is available.



- An original control panel with machined aluminum panel and overlay sheet can be performed.





DVI SERIES

DIVIDER for NK · NKK

NEW SIZE

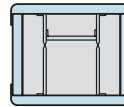


- Divider for organizing your components or equipment. Adjustable hook and loop fasteners allows for easily size adjustments.
- Padded dividers are designed to easily organize and protect your equipment.

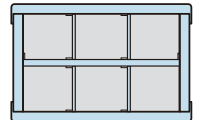
APPLICATION EXAMPLE



DVI905 / 908



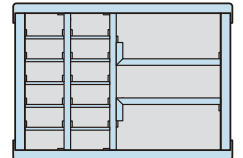
DVI915 / 918



DVI920



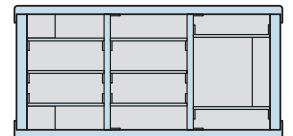
DVI923 / 925



DVI930 / 933



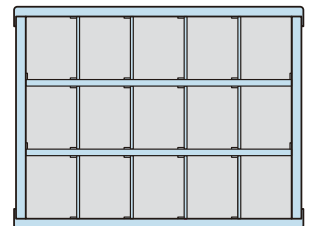
DVI935



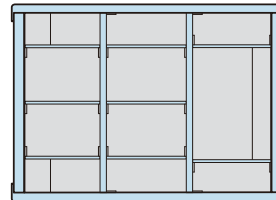
DVI940



DVI945

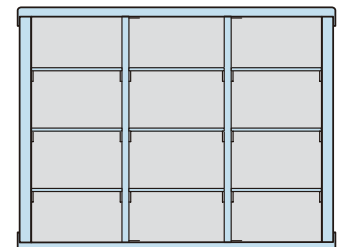


DVI950

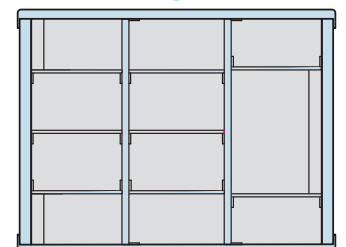


DVI960 ※2 divider layers available.

▼1st layer



▼2nd layer



Product no. / Suitable case

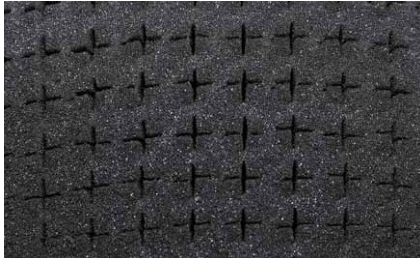
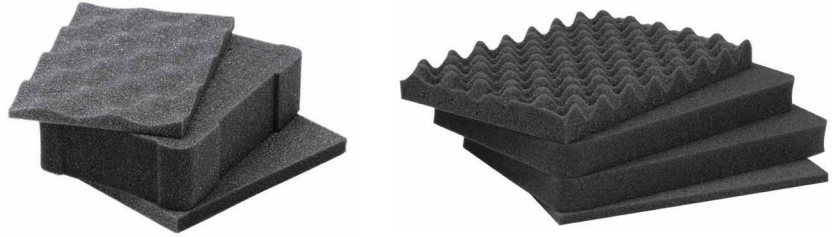
Product no.	Suitable case	Weight (g)
DVI905	NK/NKK905	288
<b>NEW</b> DVI908	NK/NKK908	453
DVI915	NK/NKK915	542
DVI918	NK/NKK918	800
DVI920	NK/NKK920	753
<b>NEW</b> DVI923	NK/NKK923	1,025
DVI925	NK/NKK925	968
DVI930	NK/NKK930	1,220
DVI933	NK/NKK933	1,500
DVI935	NK/NKK935	1,190
DVI940	NK/NKK940	1,695
DVI945	NK/NKK945	1,940
DVI950	NK/NKK950	1,810
DVI960	NK/NKK960	3,230

**NKSP SERIES**

**SPONGE FOAM for NK • NKK**

← NEW SIZE →

- Pre-cubed foam can be easily cut to make a suitable storage space.
- Available as three-layered foam set with waved (for cover side), pre-cubed foam (for base side) and base layer.
- ※ Pre-cubed foam layer is not available for NKSP990 model.



- Drawings below are reference examples only. DXF/DWG/PDF drawings available on our website.

**Product no. / Suitable case**

Product no.	Suitable case	Foam layer details	Cut-line pitch	Weight (g)
NKSP903	NK903	Waved layer x 1 · Pre-cubed foam layer x 1 · Base layer x 1	12.7	40
NKSP904	NK904	Waved layer x 1 · Pre-cubed foam layer x 1 · Base layer x 1	12.7	70
NKSP905	NK/NKK905	Waved layer x 1 · Pre-cubed foam layer x 1 · Base layer x 1	12.7	120
<b>NEW</b> NKSP908	NK/NKK908	Waved layer x 1 · Pre-cubed foam layer x 2 · Base layer x 1	12.7	158
<b>NEW</b> NKSP909	NK909	Waved layer x 1 · Pre-cubed foam layer x 1 · Base layer x 1	12.7	158
NKSP910	NK910	Waved layer x 1 · Pre-cubed foam layer x 1 · Base layer x 1	12.7	150
NKSP915	NK/NKK915	Waved layer x 1 · Pre-cubed foam layer x 2 · Base layer x 1	12.7	250
NKSP918	NK/NKK918	Waved layer x 1 · Pre-cubed foam layer x 3 · Base layer x 1	12.7	390
NKSP920	NK/NKK920	Waved layer x 1 · Pre-cubed foam layer x 2 · Base layer x 1	12.7	320
<b>NEW</b> NKSP923	NK/NKK923	Waved layer x 1 · Pre-cubed foam layer x 2 · Base layer x 1	12.7	399
NKSP925	NK/NKK925	Waved layer x 1 · Pre-cubed foam layer x 2 · Base layer x 1	12.7	430
NKSP930	NK/NKK930	Waved layer x 1 · Pre-cubed foam layer x 2 · Base layer x 1	12.7	540
NKSP933	NK/NKK933	Waved layer x 1 · Pre-cubed foam layer x 3 · Base layer x 1	12.7	700
NKSP935	NK/NKK935	Waved layer x 1 · Pre-cubed foam layer x 2 · Base layer x 1	12.7	710
NKSP940	NK/NKK940	Waved layer x 1 · Pre-cubed foam layer x 2 · Base layer x 1	15	730
NKSP945	NK/NKK945	Waved layer x 1 · Pre-cubed foam layer x 2 · Base layer x 1	15	1,000
NKSP950	NK/NKK950	Waved layer x 1 · Pre-cubed foam layer x 3 · Base layer x 1	15	1,000
NKSP960	NK/NKK960	Waved layer x 1 · Pre-cubed foam layer x 4 · Base layer x 1	12.7	1,500
NKSP990	NKK990	Waved layer x 1 · Plain foam layer x 2 · Base layer x 1	—	1,490



**CUSTOMIZE**



- Customization on foam is available.
- Foam customization is also available where your own unique form design and cut-outs can be performed.

**CUSTOMIZED EXAMPLE**





**NSTP SERIES** SHOULDER STRAP

■ Nylon shoulder strap with polyurethane pads to reduce fatigue when carrying.



**Components**

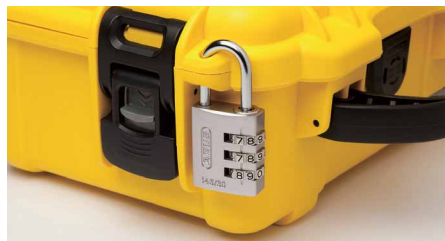
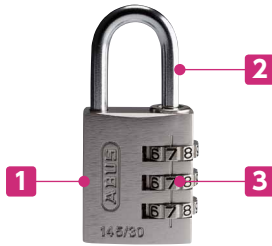
No.	Part name	Material
1	Belt	Nylon
2	Pad	Neoprene · Polyurethane
3	Hook	Steel (Black painted)

**Product no. / Feature**

Product no.	Weight (g)	Quantity
NSTP810	238	1

※Belt length can be adjustable from 810mm to 1,170mm  
 ※Not applicable for NK903, NK904, NKK990, NK · NKK950 and NK · NKK960 models.

**AB145S SERIES** PADLOCK



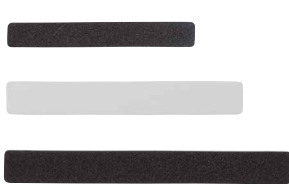
**Components**

No.	Part name	Material
1	Body	Aluminium
2	Shank	Steel
3	Dial	Zinc alloy

**Product no. / Feature**

Product no.	Weight (g)	Quantity
AB145S	52	1

**NKST SERIES** NAMEPLATE STICKER



Color nameplate can be performed by digital inkjet printing on a white plate.



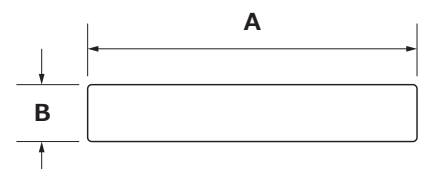
■ 0.3mm thick plastic nameplate with double sided tape on the back.

Custom name plate can be made with your company name, logo, product number or lot number with digital inkjet printing.

■ Digital inkjet print or silkscreen is possible from just 1 piece.

**Product no. / Dimensions**

Product no.		Suitable case	Dimensions		Quantity
● Black	● White		A	B	
NKST-1B	NKST-1W	NANO SERIES	50	6.8	1
NKST-2B	NKST-2W	NK903, 904	62.7	9.1	1
NKST-3B	NKST-3W	NK/NKK905 ~ 960	76.1	9.1	1



# UNIQUE COLOR AVAILABLE

## NANO SERIES

※See page NANO-1~NANO-2



Orange



Purple



Red

## NK SERIES

※See page NK-1~NK-2



Graphite



Orange



Olive



Silver  
Only available for  
NK903~920  
NK925~945 models



Lime  
Only available for  
NK903, 904, 905  
908 and 910 models



Blue  
Only available for  
NK903 and 904  
Models



Red  
Only available for  
NK903 and 904  
Models



●For NKK series, Olive color is only available for NKK990 model.



# Handy Carrying Case for Your Everyday Needs



**A wide selection to choose from with optional customization services available to suit various designs.**

Use as tools storage, precision parts, measurement devices, test samples, medical equipment, and so on.

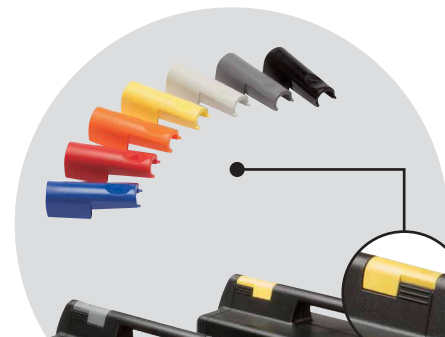


## SNAP-IN LATCH for easy handling

Equipped with a SNAP-IN LATCH for easy to open and close.

Best used at locations where storage of equipment are required.

SNAP-IN LATCH on MAXI series are available in 7 different colors: black, gray, marine, red, orange, yellow and light gray.





**TOTAL  
33 SIZES**

## Protective sponge foam

Optional foam comes with pre-cubed foam to allow for easy modification by removing the required squares. Foam customization is also available where your own unique form design and cut-outs can be performed.

MILLING

### ● CNC Foam Milling



CUSTOMIZE

## Digital inkjet printing with low initial tooling cost

Digital inkjet printing on tool cases with low initial tooling cost. Full color printing is possible with digital inkjet printing.

PRINTING







- Universal storing case with easy opening/closing snap-in latch.
- Available in 25 different sizes.
- Optional foam are available to protect your device or equipment.
- Suitable for storing tools, jigs, precision parts, measurement devices, test samples, medical equipment, and so on.

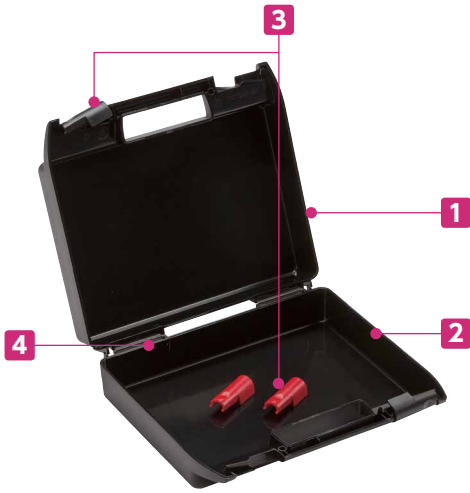
Technical Data
Operating temperature : -20°C~+60°C

## APPLICATION EXAMPLE



Light gray color is also available.

▶ See page SP-Custom-1~SP-Custom-2 for custom foam and custom inkjet printing.



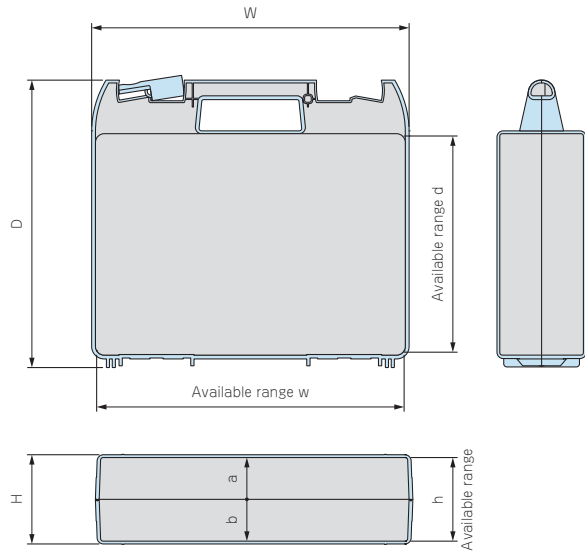
**Components**

No.	Part name	Material
1	Cover	ABS
2	Base	ABS
3	Snap-in latch	ABS
4	Hinge	PP

**MAXI dimensions**

■ Drawings below are reference examples only.

DXF/DWG/PDF drawings available on our website.



■ Red and black snap-in latches are included. You can exchange to your preferred color.

See page MAXI · XTRA-ACC-1 for how to exchange the snap-in latch.

● Red



● Black



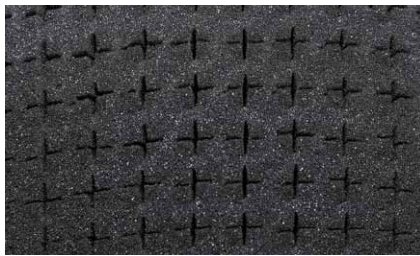
**Product no. / Dimensions**

Product no.	Dimensions (External)			Dimensions (Internal)					Weight (kg)
	W	D	H	w	d	h	a	b	
● Black									
MAXI 252307 B	254	230	72	242	169	66	33	33	0.4
MAXI 272408 B	271	241	84	258	180	78	39	39	0.5
MAXI 292610 B	289	256	97	276	194	91	45.5	45.5	0.6
MAXI 292612 B	289	256	117	276	192	111	45.5	65.5	0.65
MAXI 292614 B	289	256	137	274	192	131	65.5	65.5	0.68
MAXI 353106 B	345	308	61	333	242	54	27	27	0.78
MAXI 353107 B	345	308	72	333	242	65	27	38	0.8
MAXI 353108 B	345	308	83	332	242	76	38	38	0.8
MAXI 353111 B	345	308	112.5	328	238	105.5	27	78.5	0.9
MAXI 353112 B	345	308	123.5	328	238	116.5	38	78.5	1.0
MAXI 353116 B	345	308	164	328	238	157	78.5	78.5	1.2
MAXI 393309 B	390	334	88	377	267	80	40	40	1.0
MAXI 393310 B	390	334	103	377	265	95.5	40	55.5	1.1
MAXI 393312 B	390	334	118	377	265	111	55.5	55.5	1.1
MAXI 433614 B	432	363	138	412	290	131	65.5	65.5	1.5
MAXI 433617 B	432	363	174	408	286	166.5	101	65.5	1.6
MAXI 433621 B	432	363	210	408	286	202	101	101	1.74
MAXI 453809 B	452	383	89	438	314	81	40.5	40.5	1.3
MAXI 453811 B	452	383	109	436	312	101	40.5	60.5	1.4
MAXI 453813 B	452	383	129	436	312	121	60.5	60.5	1.5
MAXI 453814 B	452	383	144.5	432	308	136.5	40.5	96	1.6
MAXI 453816 B	452	383	164.5	432	308	156.5	60.5	96	1.7
MAXI 453820 B	452	383	200	432	308	192	96	96	1.8
MAXI 544517 B	539	450	169	516	365	162	81	81	2.4
MAXI 544521 B	539	450	205	516	362	197	81	116	2.7



**MASP** SERIES

**FOAM SET for MAXI**



- Pre-cubed polyurethane foam can be easily cut to make a suitable storage space.
- Available as a three-layered sponge foam set with waved (for cover side), pre-cubed foam (for base side) and base layer.
  
- DXF/DWG/PDF drawings available on our website.

**Product no. / Suitable case**

Product no.	Suitable case	Foam layer details	Cut-line pitch
MASP 252307	MAXI 252307 B	Waved layer x 1 • Pre-cubed foam layer x 1 • Base layer x 1	15mm
MASP 272408	MAXI 272408 B	Waved layer x 1 • Pre-cubed foam layer x 1 • Base layer x 1	15mm
MASP 292610	MAXI 292610 B	Waved layer x 1 • Pre-cubed foam layer x 1 • Base layer x 1	15mm
MASP 292612	MAXI 292612 B	Waved layer x 1 • Pre-cubed foam layer x 2 • Base layer x 1	15mm
MASP 292614	MAXI 292614 B	Waved layer x 1 • Pre-cubed foam layer x 2 • Base layer x 1	15mm
MASP 353106	MAXI 353106 B	Waved layer x 1 • Pre-cubed foam layer x 1 • Base layer x 1	15mm
MASP 353107	MAXI 353107 B	Waved layer x 1 • Pre-cubed foam layer x 1 • Base layer x 1	15mm
MASP 353108	MAXI 353108 B	Waved layer x 1 • Pre-cubed foam layer x 2 • Base layer x 1	15mm
MASP 353111	MAXI 353111 B	Waved layer x 1 • Pre-cubed foam layer x 2 • Base layer x 1	15mm
MASP 353112	MAXI 353112 B	Waved layer x 1 • Pre-cubed foam layer x 4 • Base layer x 1	15mm
MASP 353116	MAXI 353116 B	Waved layer x 1 • Pre-cubed foam layer x 1 • Base layer x 1	15mm
MASP 393309	MAXI 393309 B	Waved layer x 1 • Pre-cubed foam layer x 1 • Base layer x 1	15mm
MASP 393310	MAXI 393310 B	Waved layer x 1 • Pre-cubed foam layer x 1 • Base layer x 1	15mm
MASP 393312	MAXI 393312 B	Waved layer x 1 • Pre-cubed foam layer x 1 • Base layer x 1	15mm
MASP 433614	MAXI 433614 B	Waved layer x 1 • Pre-cubed foam layer x 2 • Base layer x 1	15mm
MASP 433617	MAXI 433617 B	Waved layer x 1 • Pre-cubed foam layer x 4 • Base layer x 1	15mm
MASP 433621	MAXI 433621 B	Waved layer x 1 • Pre-cubed foam layer x 1 • Base layer x 1	15mm
MASP 453809	MAXI 453809 B	Waved layer x 1 • Pre-cubed foam layer x 1 • Base layer x 1	20mm
MASP 453811	MAXI 453811 B	Waved layer x 1 • Pre-cubed foam layer x 1 • Base layer x 1	20mm
MASP 453813	MAXI 453813 B	Waved layer x 1 • Pre-cubed foam layer x 2 • Base layer x 1	20mm
MASP 453814	MAXI 453814 B	Waved layer x 1 • Pre-cubed foam layer x 2 • Base layer x 1	20mm
MASP 453816	MAXI 453816 B	Waved layer x 1 • Pre-cubed foam layer x 4 • Base layer x 1	20mm
MASP 453820	MAXI 453820 B	Waved layer x 1 • Pre-cubed foam layer x 2 • Base layer x 1	20mm
MASP 544517	MAXI 544517 B	Waved layer x 1 • Pre-cubed foam layer x 2 • Base layer x 1	20mm
MASP 544521	MAXI 544521 B	Waved layer x 1 • Pre-cubed foam layer x 3 • Base layer x 1	20mm

## MINI SERIES

## PLASTIC CARRYING CASE



- Light weight and simple tool case.
- Optional foam available to protect your device or equipment.
- Suitable for storing test samples, tools, precision parts, and so on.
- Made from PP plastic, and available in light gray color.

Technical Data
Operating temperature : -20°C~+60°C

## APPLICATION EXAMPLE

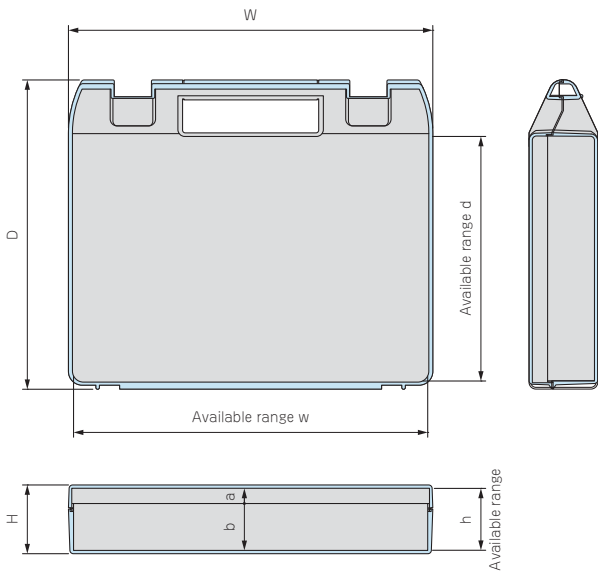


▶ See page SP-Custom-1~SP-Custom-2 for custom foam and custom inkjet printing.



**MINI dimensions**

■ Drawings below are reference examples only.  
DXF/DWG/PDF drawings available on our website.



**Product no. / Dimensions**

Product no.	Dimensions (External)			Dimensions (Internal)					Weight (g)
	W	D	H	w	d	h	a	b	
MINI 231905 G	230	187	45	222	140.5	40	9	31	230
MINI 272305 G	265	225	50	258	175	45	11	34	330
MINI 332806 G	327	275	55	319	225	49	13	36	470
MINI 352808 G	345	284	83	336	225	78	22.5	55.5	630

**Accessories (Optional parts)**

**MISP SERIES FOAM SET for MINI**



- Pre-cubed polyurethane foam can be easily cut to make a suitable storage space.
- Available as a three-layered foam set with waved (for cover side), pre-cubed foam (for base side) and base layer.
- DXF/DWG/PDF drawings available on our website.



**Product no. / Suitable case**

Product no.	Suitable case	Foam layer details
MISP 2319	MINI 231905 G	Waved layer x 1 · Pre-cubed foam layer x 1 · Base layer x 1
MISP 2723	MINI 272305 G	Waved layer x 1 · Pre-cubed foam layer x 1 · Base layer x 1
MISP 3328	MINI 332806 G	Waved layer x 1 · Pre-cubed foam layer x 1 · Base layer x 1
MISP 3528	MINI 352808 G	Waved layer x 1 · Pre-cubed foam layer x 1 · Base layer x 1

# XTRA SERIES

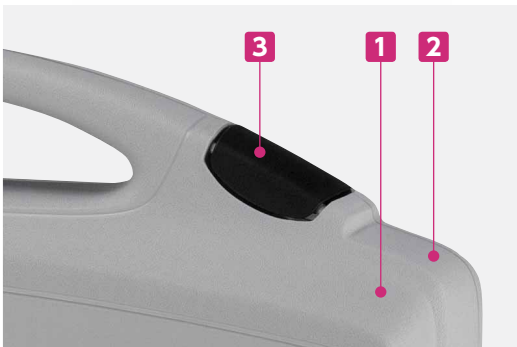
# PLASTIC CARRYING CASE



- Slim and rounded handle tool case.
- Optional foam are available to protect your device or equipment.
- Suitable for storing measuring devices, test samples, tools, precision parts, and so on.

Technical Data
Operating temperature : -20°C~+60°C

## APPLICATION EXAMPLE



### Components

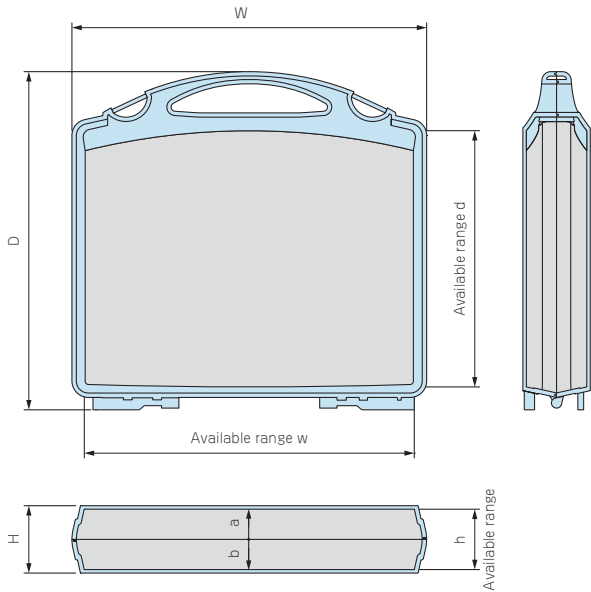
No.	Part name	Material
1	Cover	PP or ABS
2	Base	PP or ABS
3	Latch	PP

※ABS material is used for the Cover and Base of XTRA494614B/G models.

▶ See page SP-Custom-1~SP-Custom-2 for custom foam and custom inkjet printing.

**XTRA dimensions**

■ Drawings below are reference examples only.  
DXF/DWG/PDF drawings available on our website.



**Product no. / Dimensions**

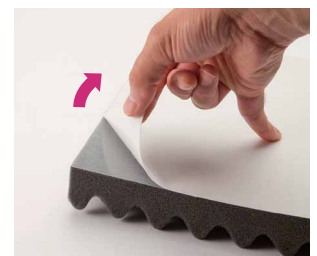
Product no.		Dimensions (External)			Dimensions (Internal)					Weight (kg)
● Black	● Light gray	W	D	H	w	d	h	a	b	
XTRA 262505 B	XTRA 262505 G	258	246	49	240	188	42	21	21	0.4
XTRA 323108 B	XTRA 323108 G	320	308	81	296	230	76	38	38	0.6
XTRA 403810 B	XTRA 403810 G	397	377	96	368	290	90	45	45	0.9
XTRA 494614 B	XTRA 494614 G	486	460	136	450	355	131	65.5	65.5	1.66

**Accessories (Optional parts)**

**XTSP SERIES FOAM SET for MINI**



- Pre-cubed polyurethane foam can be easily cut to make a suitable storage space.
- Available as a three-layered foam set with waved (for cover side), Pre-cubed foam (for base side) and base layer.
- DXF/DWG/PDF drawings available on our website.



**Product no. / Suitable case**

Product no.	Suitable case	Foam layer details	Cut-line pitch
XTSP 2625	XTRA 262505 B/G	Waved layer x 1 · Pre-cubed foam layer x 1 · Base layer x 1	15mm
XTSP 3231	XTRA 323108 B/G	Waved layer x 1 · Pre-cubed foam layer x 1 · Base layer x 1	15mm
XTSP 4038	XTRA 403810 B/G	Waved layer x 1 · Pre-cubed foam layer x 1 · Base layer x 1	15mm
XTSP 4946	XTRA 494614 B/G	Waved layer x 1 · Pre-cubed foam layer x 1 · Base layer x 1	20mm

Both waved and base layer has a double-sided tape attached on the back side. Peel off to adhere onto the inner side of the case.



**HSTP SERIES** **SHOULDER STRAP**



**Product no. / Feature**

Product no.	Weight (g)	Quantity
HSTP1000	129	1

- Hole milling is required on the case for shoulder strap installation.
- Recommended hole for installation is  $\phi 6.2\text{mm}$ .

**ML SERIES** **COLOR LATCH for MAXI**

- Replacement latch for MAXI case.



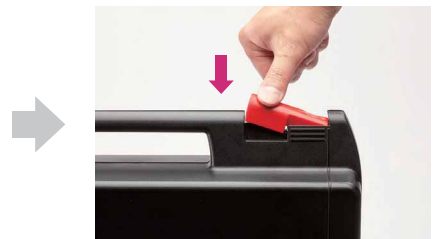
**How to remove latch**

Hold the case and pull the latch.



**How to install latch**

Hold the case, insert thinner side first, and push the opposite side in.

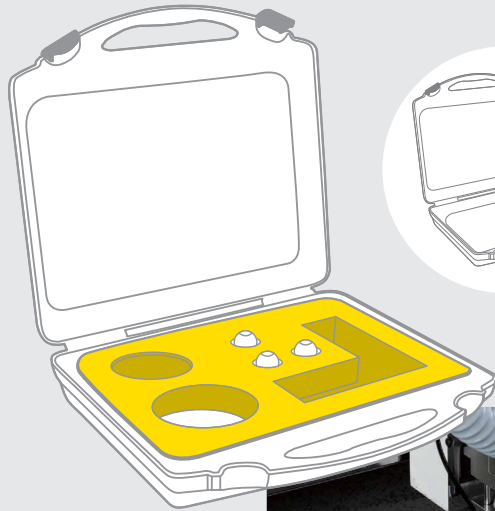


**Product no. / Suitable case**

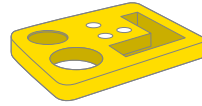
Product no.							Suitable case	Quantity
● Black	● Marine	● Yellow	● Orange	● Red	● Light gray	● Gray		
ML-SB	ML-SM	ML-SY	ML-SO	ML-SR	ML-SL	ML-SG	MAXI 252307 B ~ MAXI 292614 B	2
ML-LB	ML-LM	ML-LY	ML-LO	ML-LR	ML-LL	ML-LG	MAXI 353106 B ~ MAXI 544521 B	2

# CNC Foam Milling

Customize based on how you want it to be!



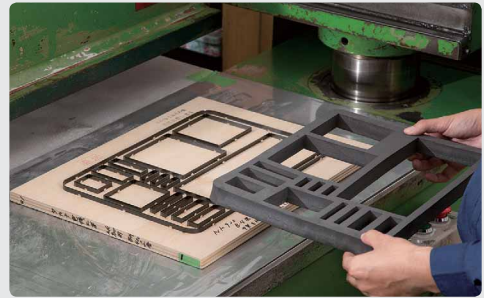
+



+



CNC foam cutting machine enables quick and cost-effective hole milling service.



For mass production, cost-effective mold press cutting is also available.

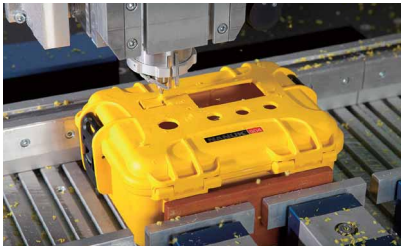
## APPLICATION EXAMPLE



# CNC Machining • Printing Service for Case

## CNC Machining

■ CNC machining for your switch, connector, display and so on is possible from just 1 piece.



## Printing Service

■ Digital inkjet printing, silkscreen printing and nameplate sticker printing is possible from just 1 piece.

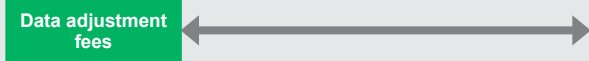
Low initial cost  
No plate processing fee

### Inkjet printing

Low printing cost for small quantities.

● Data adjustment fees may be charged again if significant changes are required on your repeat order.

● If the data in recommended format is provided

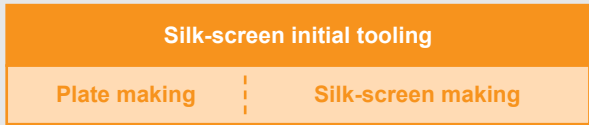


● Data or images other than recommended formats



### Silk-screen initial tooling

Low printing cost for large quantity single color print.



### Recommended data formats

PDF (.pdf -100%)		Vector file (.ai)		EPS (.eps)	
---------------------	--	----------------------	--	---------------	--

Initial cost can be reduced with the recommended formats.



Able to Inkjet print on rigid urethane foam.

## APPLICATION EXAMPLE

