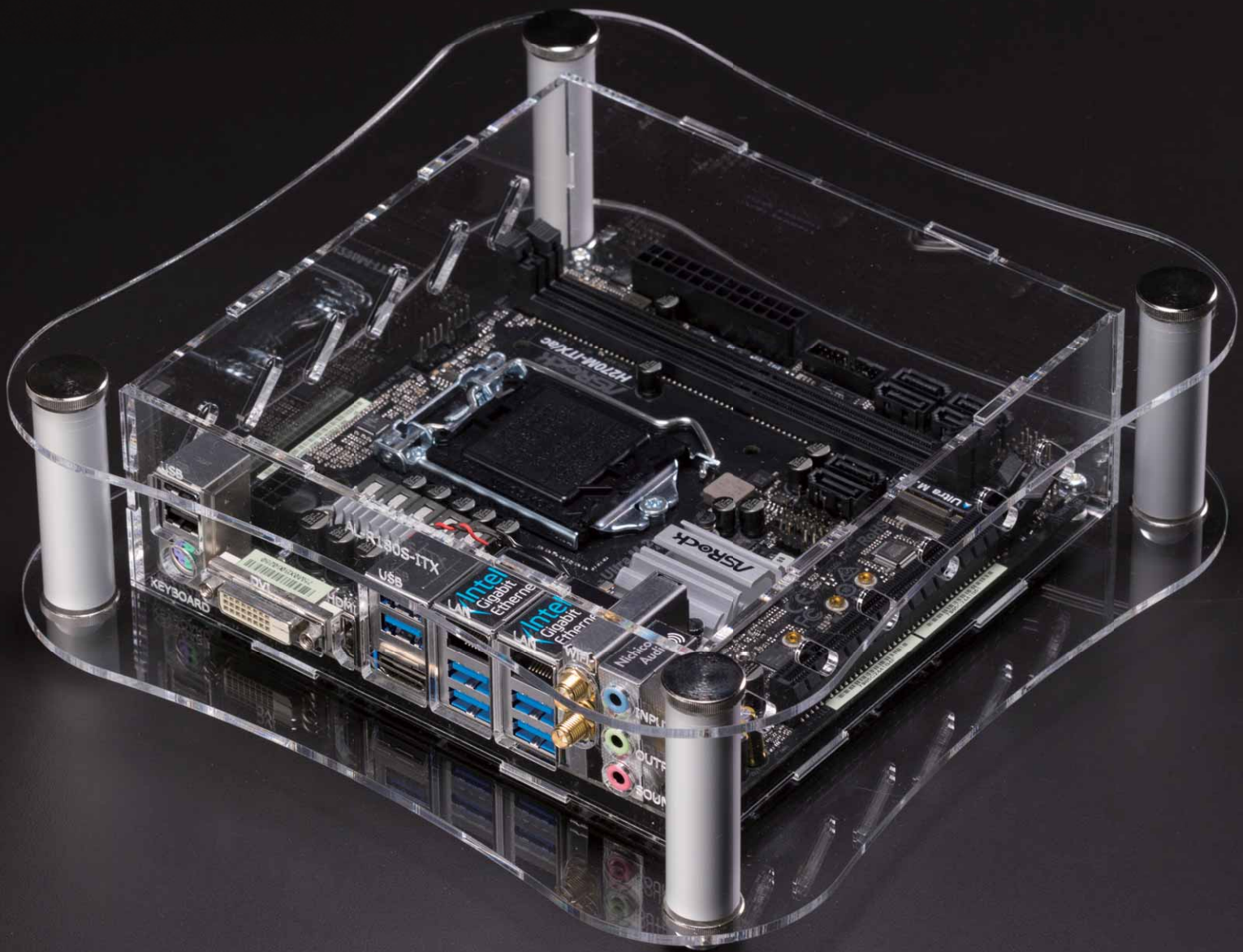


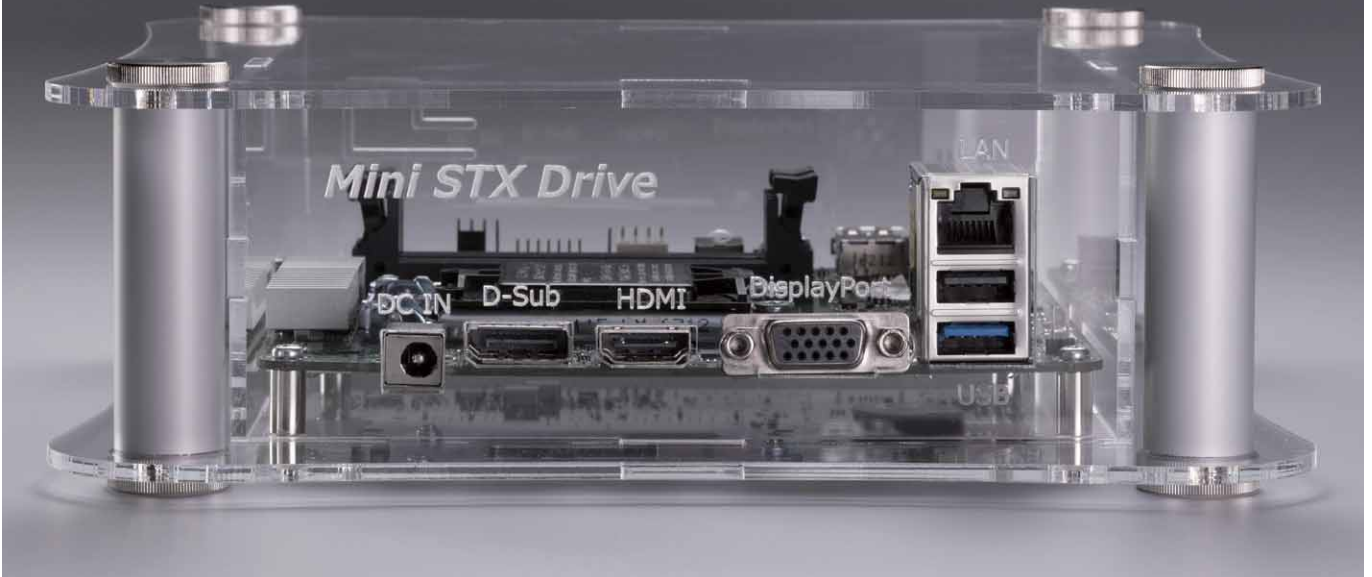
**TAKACHI**

# SHOW IT THROUGH SKELETON CASE

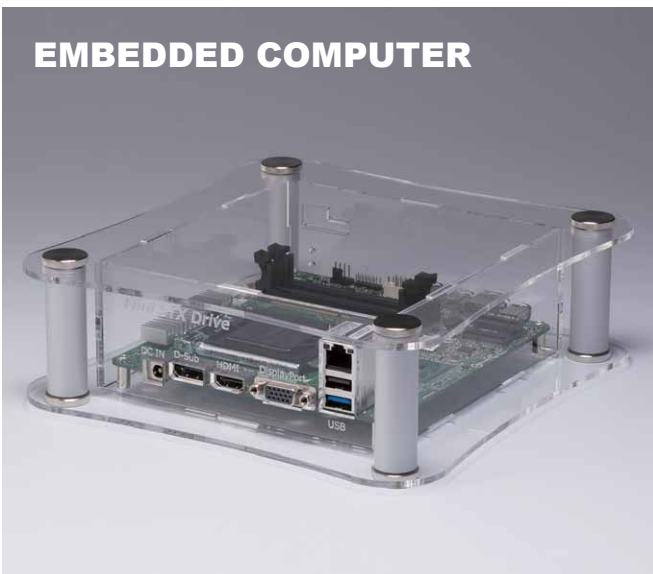


CASE BOX RACK & CUSTOM  
TAKACHI ELECTRONICS ENCLOSURE CO., LTD.

Show inside for visual appeal with our transparent case.



**EMBEDDED COMPUTER**



**RASPBERRY PI CASE**



**DISPLAY CASE**



**THERMOSTAT**





# CUSTOMIZATION POSSIBILITIES

## Inkjet Printing · Engraving

Print your logo, letters via inkjet printing with low initial cost from just 1 piece.  
Engraving is also possible!



## Developed Idea by using acrylic panels

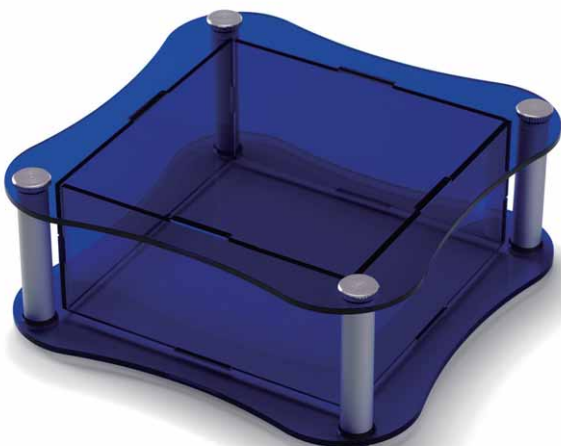
Aluminium panels can be exchanged for an acrylic panel for display of internal components. Perfect for use as showcase models or product demonstrations. (Example: FC series)

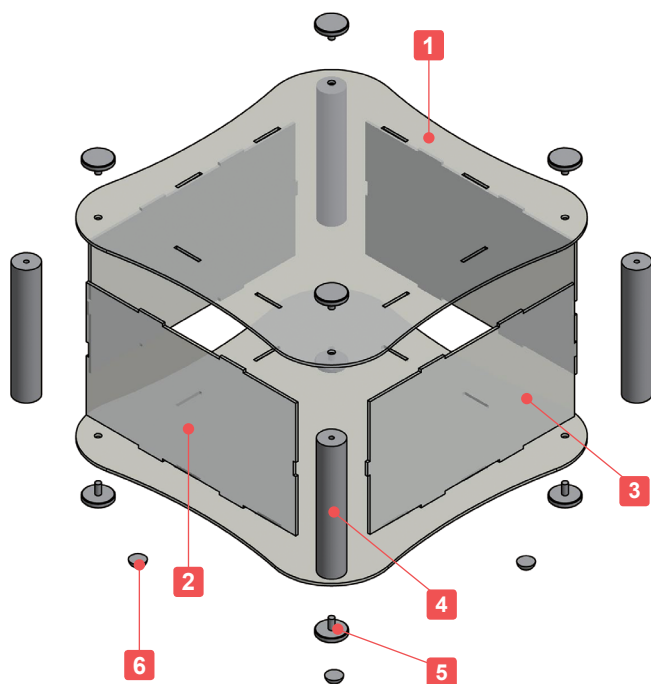
Used as a visually appealing decorative front panel placing on a standard aluminium panel. (Example: AWA series)



## COLOR VARIATION

Available in different color types, as well as smoked / tinted shades.





- Curved transparent acrylic case with corner support columns.
- 5 different sizes are available.
- Usable as a display enclosure for a unique and luxurious outlook.
- SKL11-5-17 and 11-8-17 models are compatible with the Euro Board.  
SKL18-7-18 and 18-10-18 models are compatible with the Mini ITX board.
- Possible to be used in a flat layout, or a standing layout.
- Knurled thumb screws for easy hand assembly.
  
- Custom sized case are available. See SKLF series catalog pages.

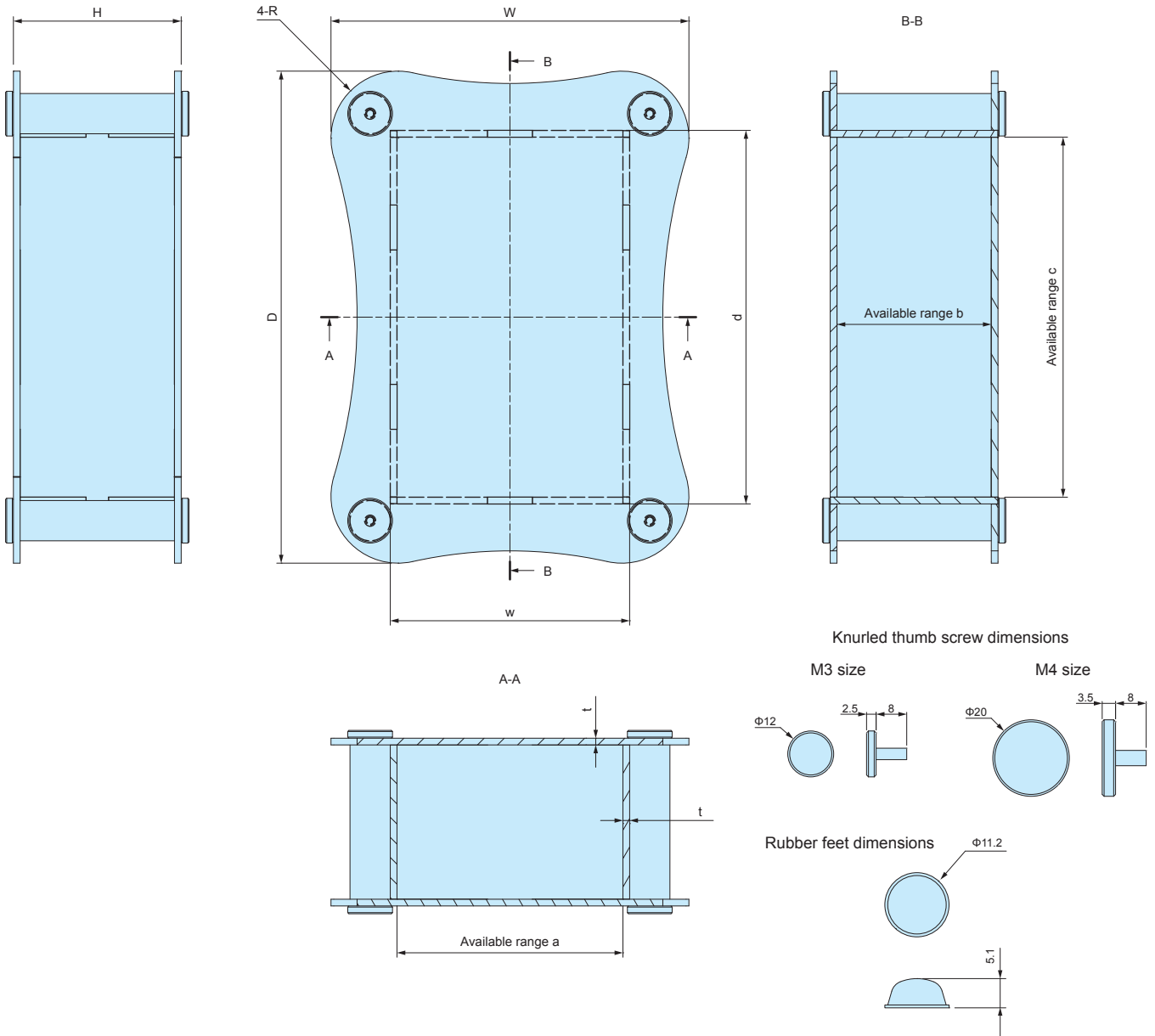
※Ethanol or other alcoholic solvents may cause the acrylic panel to crack. Use a neutral cleaner or specialized acrylic cleaning solvent for cleaning.

Components

No.	Part name	Pcs	Material	Color / Finish
1	Top · Bottom cover	1 each	Acrylic	Transparent
2	W panel	2	Acrylic	Transparent
3	D panel	2	Acrylic	Transparent
4	Pillar	4	Extruded aluminium A6063S-T5	Silver anodized
5	Knurled thumb screw	8	Brass	Nickel plated
6	Rubber feet	4	Polyurethane	Transparent

SKL dimensions

■ Drawings below are reference examples only.  
DXF/DWG/PDF drawings available on our website.



Product no. / Dimensions

Product no.	External dimensions			Case dimensions		Available range			R	t	Screw size	Weight (g)
	W	H	D	w	d	a	b	c				
SKL10- 5-10	141	51	141	105	105	101	47	101	25	2	M3	191.5
SKL11- 5-17	165	47	225	107	167	101	41	161	25	3	M4	507
SKL11- 8-17	165	77	225	107	167	101	71	161	25	3	M4	643
SKL18- 7-18	239	67	239	177	177	171	61	171	40	3	M4	762
SKL18-10-18	239	102	239	177	177	171	96	171	40	3	M4	940.5

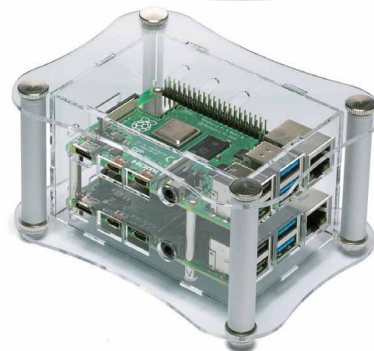
■ Similar aluminium type design, as well as custom sizes are also available.



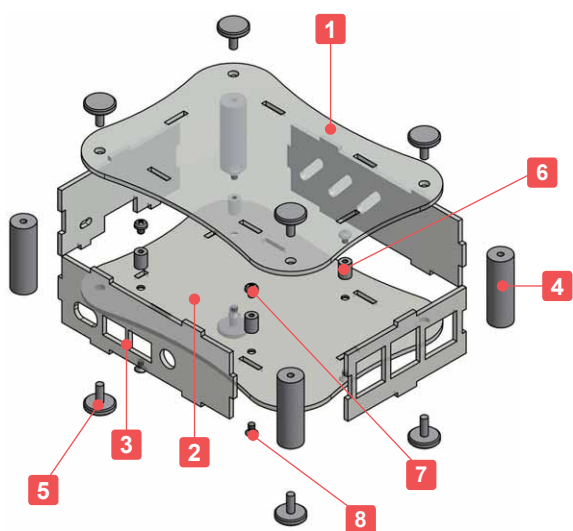
Custom sized skeleton case SKLF series  
See page SKLF-1 ~ SKLF-4



Arc design aluminium case ALR series  
See page ALR-1 ~ ALR-4



RPA-4B-1F is compliant with VESA100 (100x100) mounting standards, therefore can be attached onto the back side of display monitors, among others.



- Exclusively for use with Raspberry Pi 4B models.
- 3 models are available: Standard, Layered, and Flanged.
- Raspberry Pi Board is not included.

※Ethanol or other alcoholic solvents may cause the acrylic panel to crack.  
Use a neutral cleaner or specialized acrylic cleaning solvent for cleaning.

※Included screws : RPA-4B-1 Knurled thumb screw x 8  
RPA-4B-2 Knurled thumb screw x 8  
RPA-4B-1F Knurled thumb screw x 4  
M3-8 countersunk, Trivalent chromate x 4

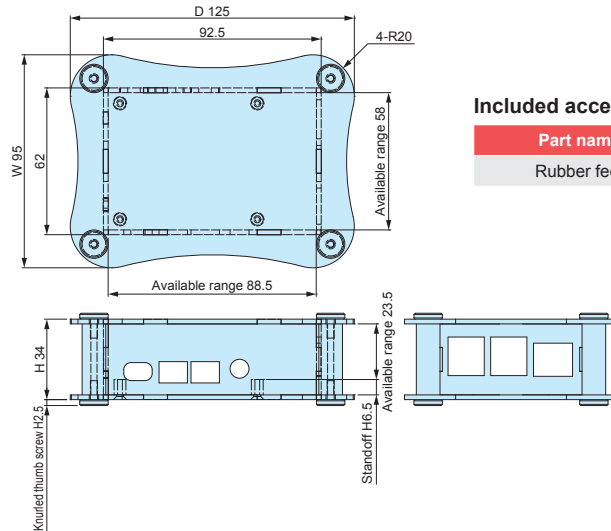
Components

No.	Part name	Pcs	Material	Color / Finish
1	Top cover	1	Acrylic t = 2.0	Transparent
2	Bottom cover	1	Acrylic t = 2.0	Transparent
3	Panel	4	Acrylic t = 2.0	Transparent
4	Pillar	4	Extruded aluminium A6063S-T5	Silver anodized
5	Knurled thumb screw (M3-8)※	4 / 8	Brass	Nickel plated
6	Standoff (for board)	4	Brass	Nickel plated
7	Screw for Board (M2.6-4)	4	Steel	Trivalent chromate
8	Screw for Standoffs (M2.6-5)	4	Steel	Trivalent chromate

RPA dimensions

■ Drawings below are reference examples only.  
DXF/DWG/PDF drawings available on our website.

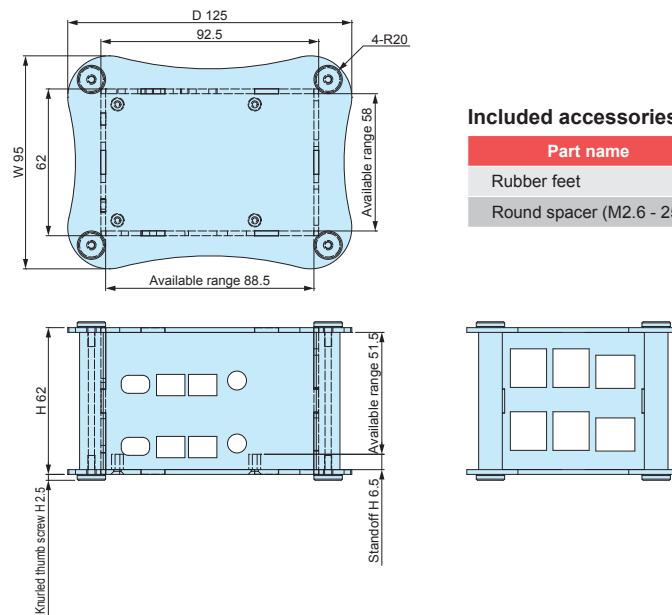
RPA-4B-1



Included accessories

Part name	Material	Color / Finish
Rubber feet	Polyurethane	Transparent

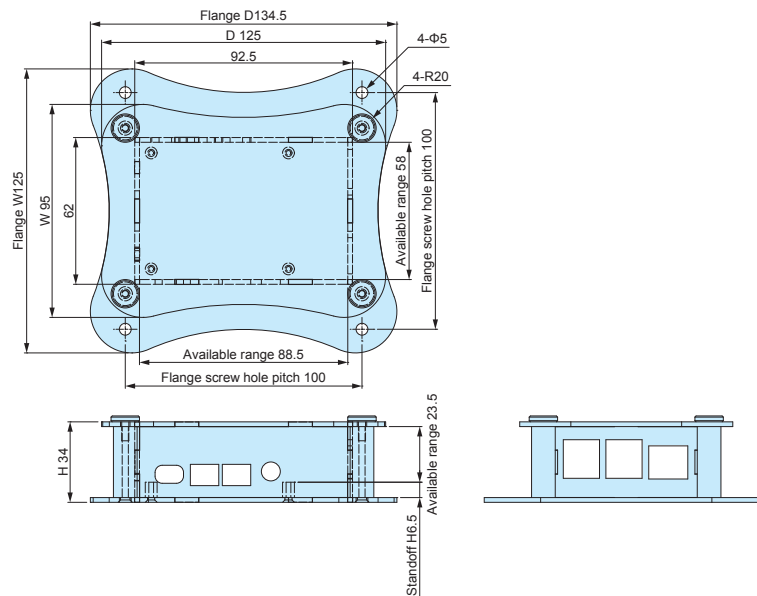
RPA-4B-2



Included accessories

Part name	Material	Color / Finish
Rubber feet	Polyurethane	Transparent
Round spacer (M2.6 - 25)	Brass	Nickel plated

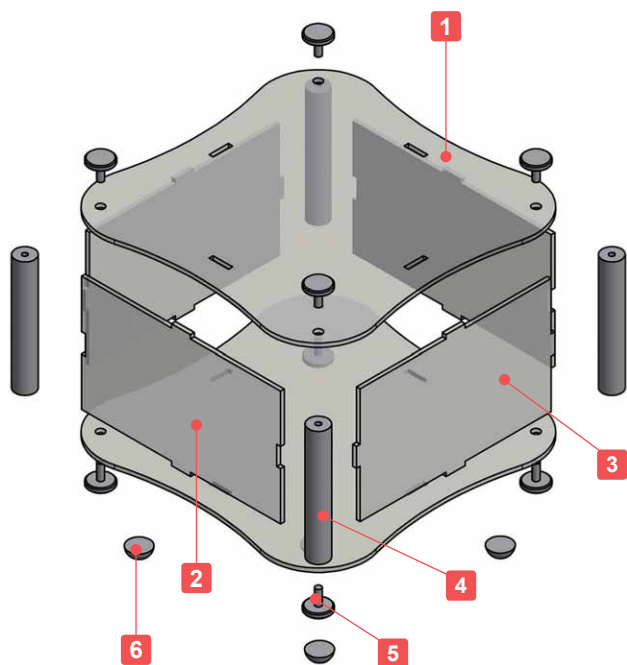
RPA-4B-1F



Product no. / Dimensions

Product no.	External dimensions			Weight (g)
	W	H	D	
RPA-4B-1	95	34	125	118
RPA-4B-2	95	62	125	171.5
RPA-4B-1F	95	34	125	118.5





- Adjustable sizes available in 1mm intervals, with W and D dimensions from 50 ~ 500mm, and H dimensions from 30 ~ 500mm.
- Rubber feet can be provided if required in S (Φ11.2mm) or L (Φ15.7mm) sizes.
- Knurled thumb screws for easy hand assembly.

※Ethanol or other alcoholic solvents may cause the acrylic panel to crack. Use a neutral cleaner or specialized acrylic cleaning solvent for cleaning.

■ **Caution**

- On larger sized cases, the top cover may come loose if the middle part is held without support.



**Components**

No.	Part name	Pcs	Material	Color / Finish
1	Top · Bottom cover	1 each	Acrylic	Transparent
2	W panel	2	Acrylic	Transparent
3	D panel	2	Acrylic	Transparent
4	Pillar	4	Extruded aluminium A6063S-T5	Silver anodized
5	Knurled thumb screw	8	Brass	Nickel plated
6	Rubber feet	0 or 5	Polyurethane	Transparent

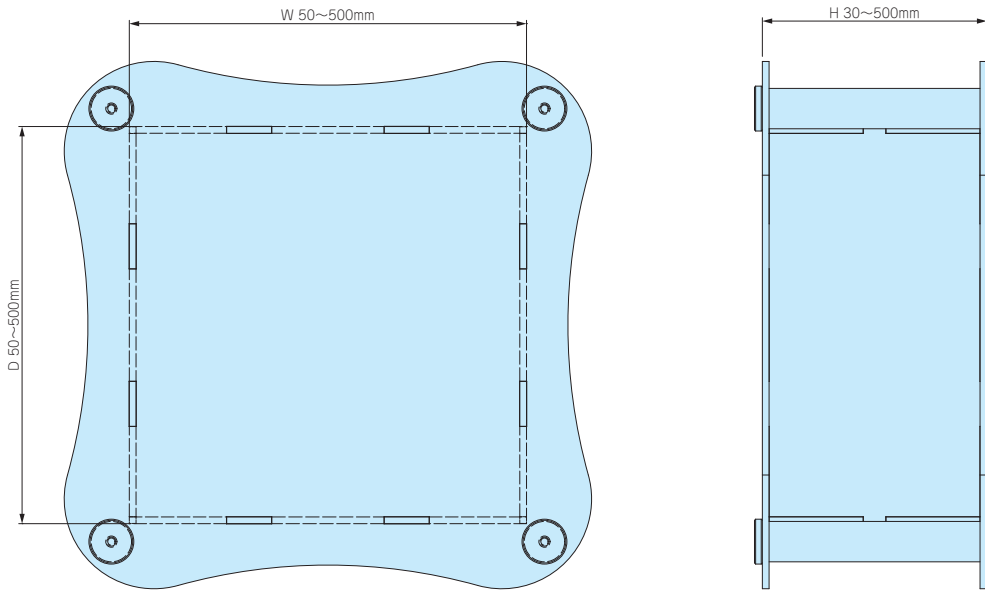


# 1 Specify Dimensions

Specify dimensions in 1mm intervals.

※Specify rectangular case dimensions, not external dimensions.

Include panel thickness in H dimension.



■ Panel thickness, knurled thumb screw sizes, and pillar types vary by W / D dimensions.

**[S10] Type**

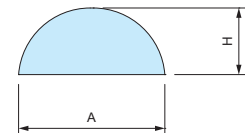
Dimension : W & D = refer to chart  
 Panel thickness : t = 2.0mm  
 Knurled thumb screw size : M3  
 Pillar :  $\Phi 10.0$  (external diameter)

**[S18] Type**

Dimension : W & D = refer to chart  
 Panel thickness : t = 3.0mm  
 Knurled thumb screw size : M4  
 Pillar :  $\Phi 18.0$  (external diameter)

# 2 Select Rubber Feet

Code	A	H	Pack of
N (None)	—	—	—
S	11.2	5.1	5
L	15.7	7.9	5



## Confirm Product No.

Confirm an assigned product number in the following order format as below.

Product no. SKLF  -  -

**W                      H                      D                      S10 or S18      Rubber feet**

Example : W = 250 mm, H = 150 mm, D = 300 mm with L type rubber feet.

SKLF  -  -

## Order Inquiry

For more information, contact us here at [sales@takachi-el.co.jp](mailto:sales@takachi-el.co.jp)

# SKLF Type Chart

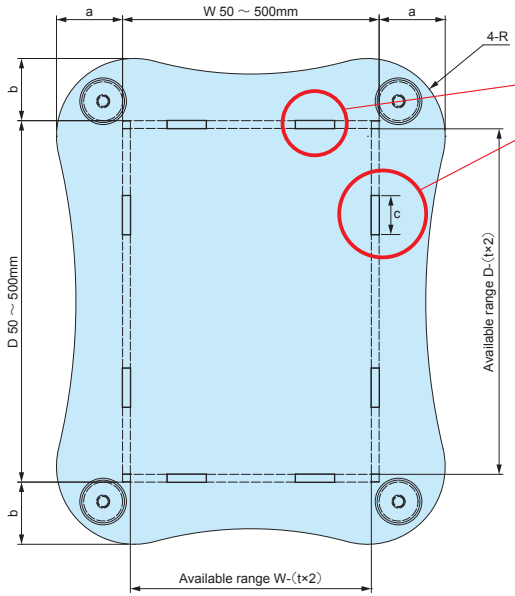
Refer to the below chart for S10 or S18 type selection by W & D dimensions.

**[S10] type : t = 2.0mm · M3 screw · Φ10.0 pillar**

**[S18] type : t = 3.0mm · M4 screw · Φ18.0 pillar**

W	H	D											
			50~100	101~150	151~200	201~250	251~300	301~350	351~400	401~450	451~500		
50~100	30~100												
	101~200												
	201~300												
	301~400												
	401~500												
101~150	30~100												
	101~200												
	201~300												
	301~400												
	401~500												
151~200	30~100												
	101~200												
	201~300												
	301~400												
	401~500												
201~250	30~100												
	101~200												
	201~300												
	301~400												
	401~500												
251~300	30~100												
	101~200												
	201~300												
	301~400												
	401~500												
301~350	30~100												
	101~200												
	201~300												
	301~400												
	401~500												
351~400	30~100												
	101~200												
	201~300												
	301~400												
	401~500												
401~450	30~100												
	101~200												
	201~300												
	301~400												
	401~500												
451~500	30~100												
	101~200												
	201~300												
	301~400												
	401~500												

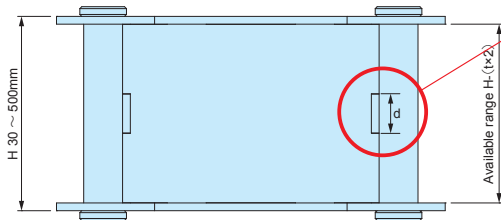
SKLF dimensions



Number of joints vary by specified W / D dimensions. Refer to the below chart for more information.

W dimension	Joints (one side)	D dimension	Joints (one side)
50~150	1	50~150	1
151~200	2	151~200	2
201~300	3	201~300	3
301~400	4	301~400	4
401~500	5	401~500	5

Joint c dimension = 20.0mm

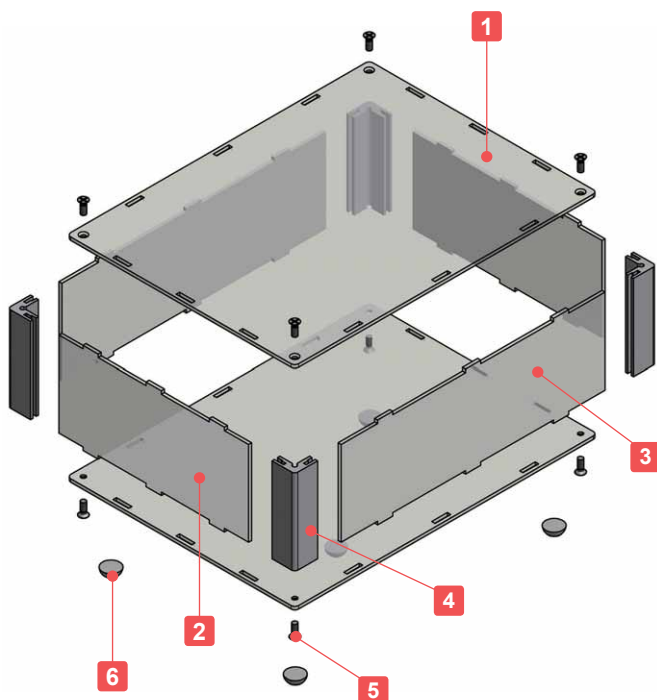
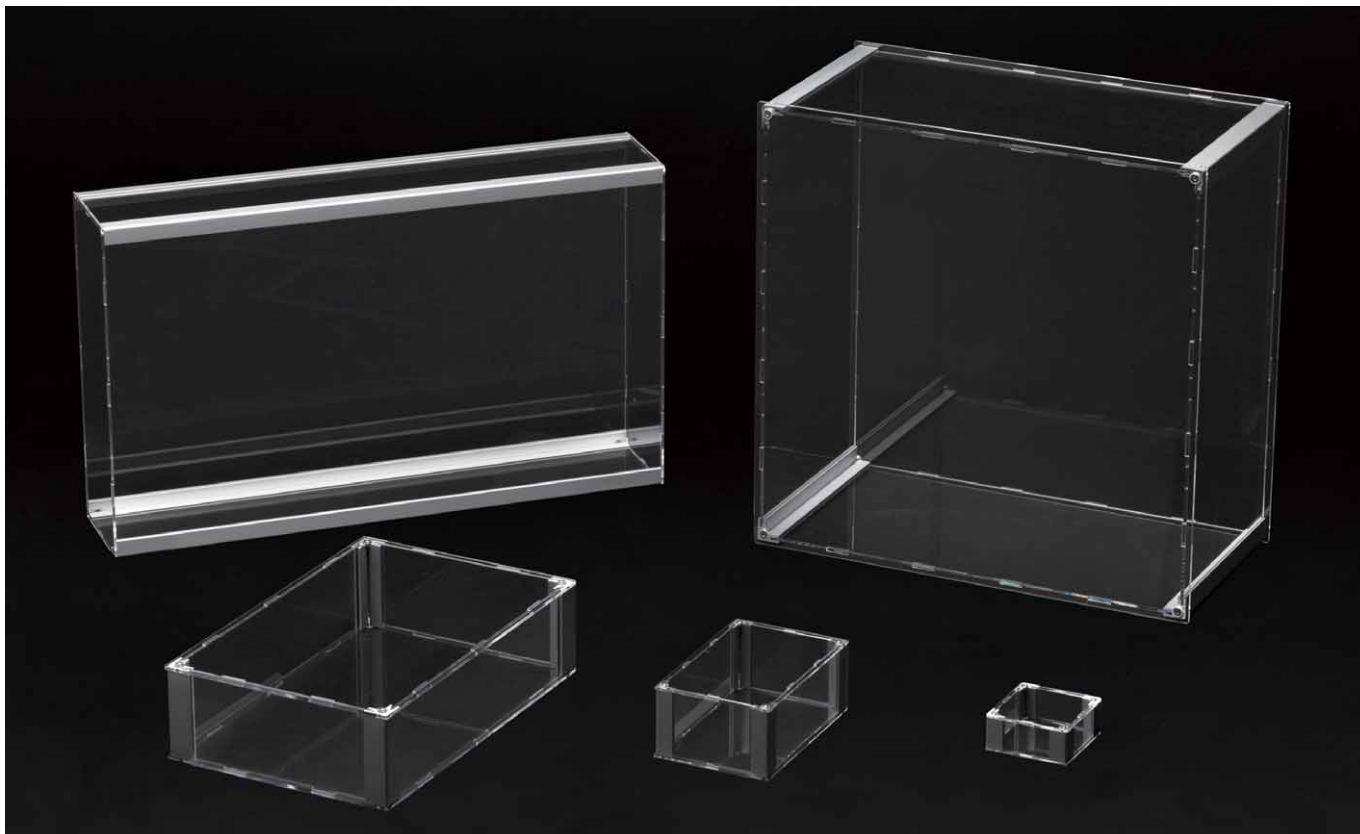


Number of joints vary by specified H dimensions. Refer to the below chart for more information.

H dimension	Joint d dimension	Joints (one side)
30~100	10mm	1
101~200	20mm	1
201~300	20mm	2
301~400	20mm	3
401~500	20mm	4

D dimension \ W dimension	50~100			101~150			151~200			201~250			251~300		
	a	b	R	a	b	R	a	b	R	a	b	R	a	b	R
50~100	17	17	15	17	17	15	29	28	15	29	28	15	30	28	15
101~150	17	17	15	18	18	25	29	29	25	30	29	25	30	29	25
151~200	28	29	15	29	29	25	31	31	40	31	31	40	32	31	40
201~250	28	29	15	29	30	25	31	31	40	33	33	50	33	33	50
251~300	28	30	15	29	30	25	31	32	40	33	33	50	35	35	60
301~350	35	37	15	36	38	25	38	39	40	40	41	50	42	42	60
351~400	35	38	15	36	38	25	38	40	40	40	41	50	42	43	60
401~450	35	38	15	36	39	25	38	40	40	40	42	50	42	43	60
451~500	35	39	15	36	39	25	38	41	40	40	42	50	42	44	60

D dimension \ W dimension	301~350			351~400			401~450			451~500		
	a	b	R	a	b	R	a	b	R	a	b	R
50~100	37	35	15	38	35	15	38	35	15	39	35	15
101~150	38	36	25	38	36	25	39	36	25	39	36	25
151~200	39	38	40	40	38	40	40	38	40	41	38	40
201~250	41	40	50	41	40	50	42	40	50	42	40	50
251~300	42	42	60	43	42	60	43	42	60	44	42	60
301~350	44	44	70	44	44	70	45	44	70	45	44	70
351~400	44	44	70	46	46	80	46	46	80	47	46	80
401~450	44	45	70	46	46	80	48	48	90	48	48	90
451~500	44	45	70	46	47	80	48	48	90	50	50	100



■ Extruded aluminium corner pillars enables the structure to be rigid when screwed.

■ Adjustable sizes available in 1mm intervals, with W and D dimensions from 50 ~ 500mm, and H dimensions from 30 ~ 500mm.

■ Rubber feet can be provided if required in S (Φ11.2mm) or L (Φ15.7mm) sizes.

※ Ethanol or other alcoholic solvents may cause the acrylic panel to crack. Use a neutral cleaner or specialized acrylic cleaning solvent for cleaning.

■ **Caution**

· On larger sized cases, the top cover may come loose if the middle part is held without support.



**Components**

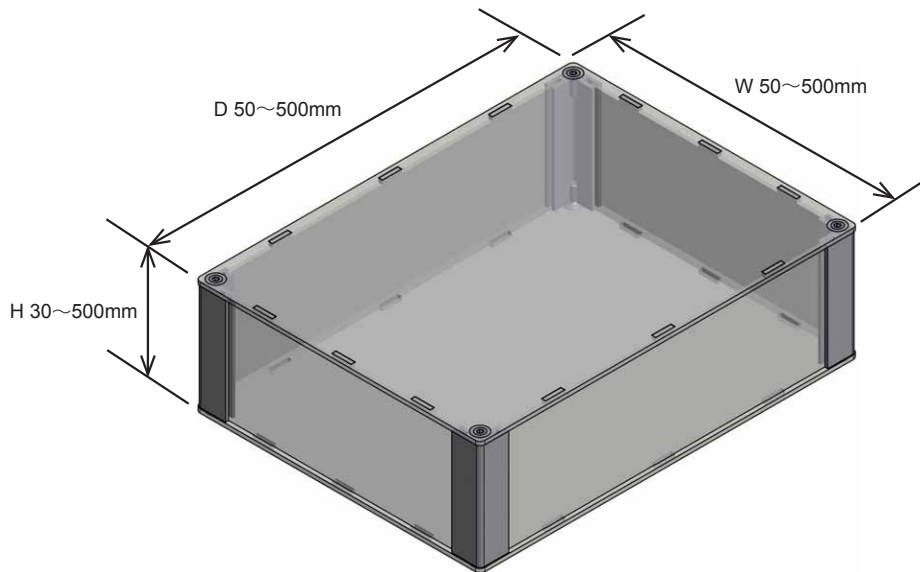
No.	Part name	Pcs	Material	Color / Finish
1	Top - Bottom cover	1 each	Acrylic	Transparent
2	W panel	2	Acrylic	Transparent
3	D panel	2	Acrylic	Transparent
4	Pillar	4	Extruded aluminium A6063S-T5	Silver anodized
5	Screw (Hexagonal countersunk - M3 or M4)	8	Stainless steel	Unfinished
6	Rubber feet	0 or 5	Polyurethane	Transparent

■ Hexagonal wrench included.



# 1 Specify Dimensions

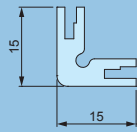
Specify dimensions in 1mm intervals.



■ Panel thickness, screw sizes, and pillar types vary by W / D dimensions.

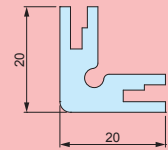
## [K15] Type

Dimension : W & D = refer to chart  
 Panel thickness : t = 2.0mm  
 Screw size : M3  
 Pillar : 15 x 15mm



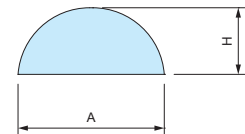
## [K20] Type

Dimension : W & D = refer to chart  
 Panel thickness : t = 3.0mm  
 Screw size : M4  
 Pillar : 20 x 20mm



# 2 Select Rubber Feet

Code	A	H	Pack of
N (None)	—	—	—
S	11.2	5.1	5
L	15.7	7.9	5



## Confirm Product No.

Confirm an assigned product number in the following order format as below.

Product no.    SKSF      -      -        

W
H
D
K15 or K20
Rubber feet

Example : W = 100 mm, H = 50 mm, D = 135 mm with S type rubber feet.

SKSF      -      -        

## Order Inquiry

For more information, contact us here at [sales@takachi-el.co.jp](mailto:sales@takachi-el.co.jp)

# SKSF Type Chart

Refer to the below chart for K15 or K20 type selection by W & D dimensions.

**[K15] Type : t = 2.0mm · M3 screw · 15 x 15 pillar**

**[K20] Type : t = 3.0mm · M4 screw · 20 x 20 pillar**

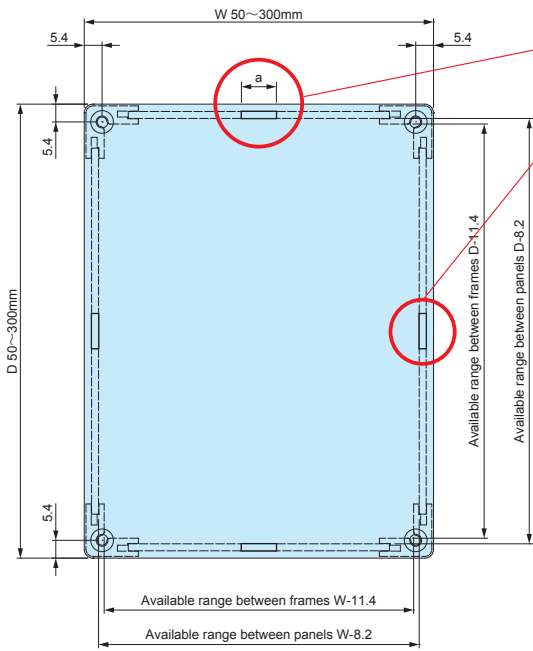
W	H	D	50~100	101~150	151~200	201~250	251~300	301~350	351~400	401~450	451~500
		30~100									
50~100	101~200										
	201~300										
	301~400										
	401~500										
101~150	30~100										
	101~200										
	201~300										
	301~400										
151~200	401~500										
	30~100										
	101~200										
	201~300										
201~250	301~400										
	401~500										
	30~100										
	101~200										
251~300	201~300										
	301~400										
	401~500										
	30~100										
301~350	101~200										
	201~300										
	301~400										
	401~500										
351~400	30~100										
	101~200										
	201~300										
	301~400										
401~450	401~500										
	30~100										
	101~200										
	201~300										
451~500	301~400										
	401~500										
	30~100										
	101~200										

[K15] type

[K20] type

**SKSF dimensions**

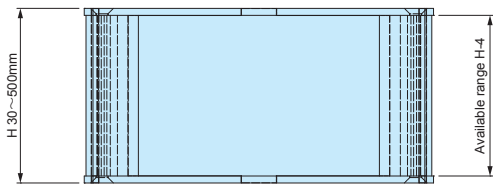
**[K15] type : t = 2.0 mm : Screw size : M3 : Pillar : 15 x 15 mm**



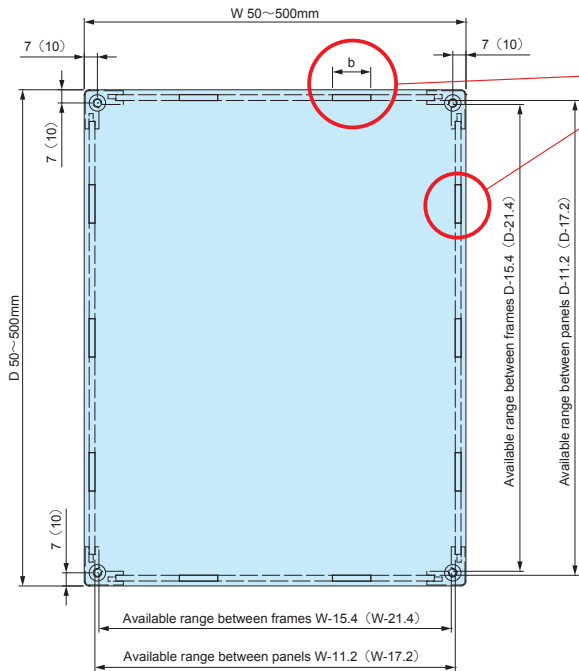
Number of joints vary by specified W / D dimensions.  
Refer to the below chart for more information.

W dimension	Joint a dimension	Number of Joints (one side)
50~100	10mm	1
101~150	20mm	1
151~200	20mm	2
201~300	20mm	3

D dimension	Joint a dimension	Number of Joints (one side)
50~100	10mm	1
101~150	20mm	1
151~200	20mm	2
201~300	20mm	3



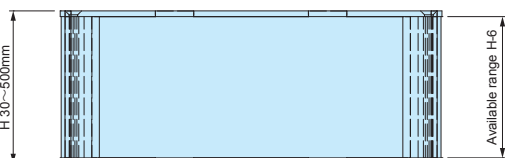
**[K20] type : t = 3.0 mm : Screw size : M4 : Pillar : 20 x 20 mm**



Number of joints vary by specified W / D dimensions.  
Refer to the below chart for more information.

W dimension	Joint b dimension	Number of Joints (one side)
50~100	10mm	1
101~150	20mm	1
151~200	20mm	2
201~300	20mm	3
301~400	20mm	4
401~500	20mm	5

D dimension	Joint b dimension	Number of Joints (one side)
50~100	10mm	1
101~150	20mm	1
151~200	20mm	2
201~300	20mm	3
301~400	20mm	4
401~500	20mm	5



※Available range values within ( ) is applicable if D / W dimension is 301mm or larger.