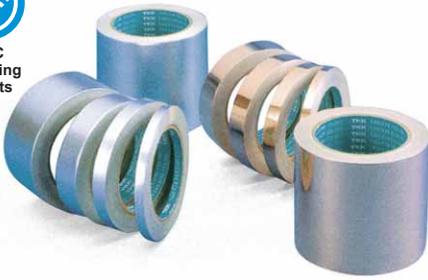
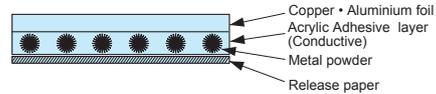


CUS,CUL,ALS,ALL SERIES**CONDUCTIVE COPPER • ALUMINIUM FOIL TAPE**

EMC
Shielding
Effects■ **Construction**■ **Characteristic**

Contents	Copper	Aluminium
Foil thickness (µm)	35	50
Adhesive layer thickness (µm)	60	60
Overall thickness (µm)	95	110
Adhesive force (gf/25mm) 180° peel test on SUS	1300	1300
Contact resistance value (Ω/25mm/2kgf)	0.003	0.005

- Flexible copper and aluminium tape.
- Conductive adhesive layer maintains conductivity.
- Copper tape can be soldered onto a metal foil.
- Copper and aluminium tape are UL510 (FR) certified products.

Usage

- Grounding and shielding for enclosures.
- Grounding and shielding for cable harnesses or connectors.
- EMI shielded room.
- Can be used for measuring shield characteristics in an emergency situation.

COPPER FOIL TAPE**Product no. / Dimensions**

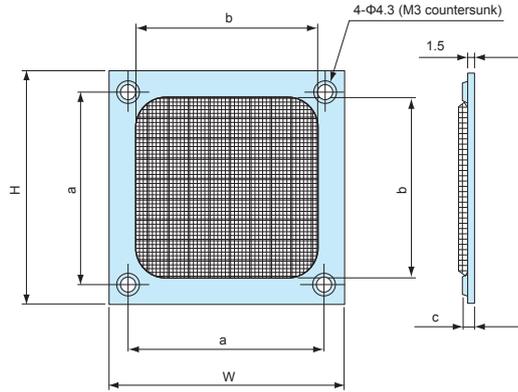
Product no.	Width	Length
CUS- 8T	8.0	2m
CUS-13T	13.0	2m
CUS-25T	25.0	2m
CUL- 8T	8.0	20m
CUL-13T	13.0	20m
CUL-25T	25.0	20m
CUL-50T	50.0	20m

ALUMINIUM FOIL TAPE**Product no. / Dimensions**

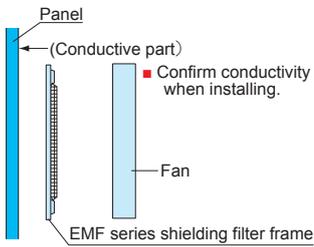
Product no.	Width	Length
ALS- 8T	8.0	2m
ALS-13T	13.0	2m
ALS-25T	25.0	2m
ALL- 8T	8.0	20m
ALL-13T	13.0	20m
ALL-25T	25.0	20m
ALL-50T	50.0	20m

EMF SERIES

EMC SHIELDED FILTER FRAME



■ Use for EMC shielding on the hole for cooling fan.



Components

Frame material	Filter material	Mesh
Aluminium / Unfinished	Stainless steel	30

■ Mesh 30 = 30 openings in a 1 square inch area (25.4 x 25.4mm).

Product no. / Dimensions

Product no.	W	H	a	b	c	Matching fan size (mm)
EMF- 60	59.5	59.5	50	46	3.5	60.0 x 60.0
EMF- 80	83.8	83.8	71.5	68.8	4	80.0 x 80.0
EMF- 90	92	92	82.5	78	3.5	92.0 x 92.0
EMF-120	119	119	104.8	104.5	3.7	120.0 x 120.0

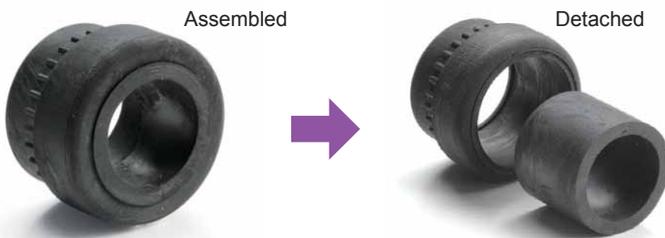
AGE SERIES

EMC SHIELDED CABLE GLAND



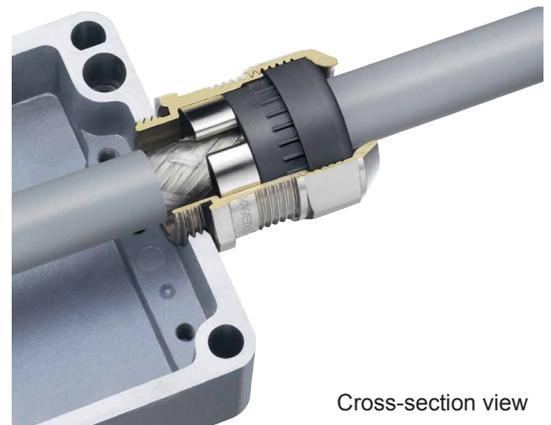
- Optimal contact spring provides excellent shield contact and the smallest possible transfer impedance.
- Clawed lock nut makes a good EMC shield contact possible on conductive enclosures.
- Shape of the contact spring not only allows for a large clamping range to the shield but also enables easy and faster installation and re-installation.
- 2-piece detachable sealing inserts can be adapted to the wider existing cable diameter on site. (AGE12 available only with 1-piece sealing insert)

Technical Data	
Protection class : IP68 2bar / 30min, IP69K	
20m depth immersion in 30 minutes	
Operating temperature : -60°C ~ +100°C	
Compliant with IEC62444 Var. A	



Cable Range

No.	Sealing insert type	
	Assembled	Detached
AGE16-10.5	Φ 6 ~ Φ 7.5	Φ 7.5 ~ Φ10.5
AGE20-15	Φ 8 ~ Φ10.5	Φ10.5 ~ Φ15
AGE25-20	Φ12.5 ~ Φ15	Φ15 ~ Φ20
AGE32-25	Φ17 ~ Φ20	Φ20 ~ Φ25

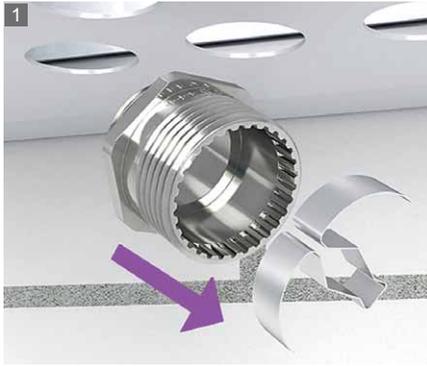


Cross-section view

Components

No.	Part name	Material	Color / Finish
1	Cap	Brass	Nickel plated
2	Sealing insert	TPE	Black
3	Connector	Brass	Nickel plated
4	Contact spring	Stainless steel	Unfinished
-	O-Ring	NBR	Black
5	Lock-nut	Brass	Nickel plated

INSTALLATION Instruction



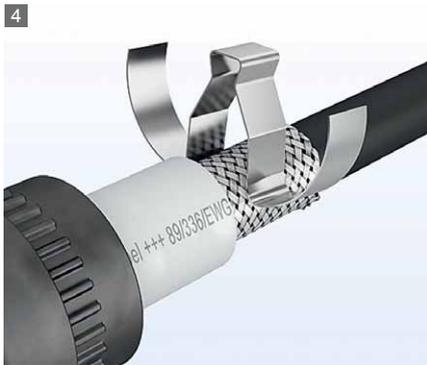
1 Remove the contact spring from the connector.



2 Install the connector onto the enclosure.



3 Strip the cable.



4 Clip the contact spring on the shielded cable.



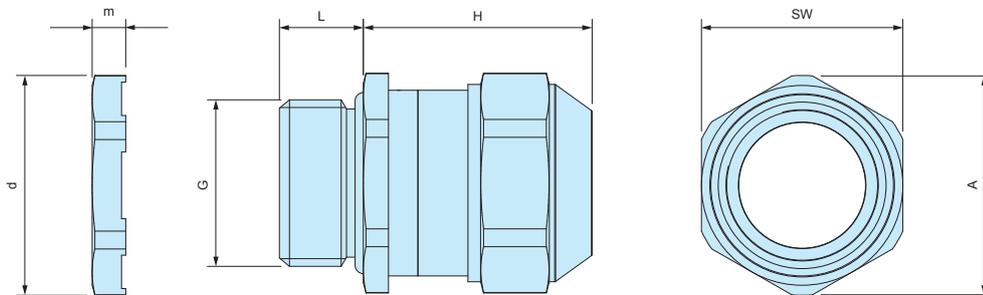
5 Pass the cable through the Sealing insert and cap.



6 Tighten the cap to complete.

AGE dimensions

DXF/DWG/PDF drawings available on our website.



Product no. / Dimensions

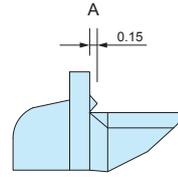
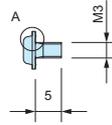
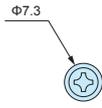
Product no.	G		Cable range		L	H Max	SW	A	d	m	Pack of
	Thread size	Mounting hole	Min	Max							
AGE12-5	M12×1.5	Φ12.2	3.5	5.0	10	22	15	16.5	16.5	3.5	1
AGE12-6.5	M12×1.5	Φ12.2	5.0	6.5	10	22	15	16.5	16.5	3.5	1
AGE16-10.5	M16×1.5	Φ16.2	6.0	10.5	10	25	18	20	21	3.5	1
AGE20-15	M20×1.5	Φ20.2	8.0	15.0	10	27	24	26.5	26.5	4	1
AGE25-20	M25×1.5	Φ25.2	12.5	20.0	11	33	30	33	33	4	1
AGE32-25	M32×1.5	Φ32.3	17.0	25.0	13	34	36	39.5	39.5	5	1

EV3-5S

CONDUCTIVE SCREW



Conductive



- When tightened, protrusions on the underside of the screw head will shave away at painted or anodized surface to expose the base material for achieving conductivity.

Product no. / Dimensions

Product no.	M	L	Material	Finish	Pack of
EV3-5S	3	5	Steel	Nickel plated	20



EMC Shielding Effects



Technical Data	
Protection class:	IP40
Operating temperature:	-10°C ~ +60°C

- LCE series is an EMC shielded version of LC hand-held plastic case coated internally with DOTITE conductive paint (acrylic paint mixed with nickel filler).
- Designed with beveled edges and rounded corners, and manufactured from flame-resistant ABS UL94V-0 material.
- Recommended to be used as measurement instruments, testing devices, wireless communication gadgets, medical equipment, and so on.

Components

No.	Part name	Pcs	Material	Color / Finish	Conductive paint
1	Top cover	1	ABS UL94V-0	Dark gray	DOTITE
2	Bottom cover	1	ABS UL94V-0	Dark gray	DOTITE
3	Panel	1	ABS UL94V-0	Dark gray	DOTITE
4	Self-tapping screw	4	Steel M2.6	Black trivalent chromate	—

Accessories (Optional parts)



Silicone cover LCTP • LCSC series
See page LCTP-1 ~ LCSC-1



Tapping standoff TPS series
See page TPS • MT-1



PCB mounting screw EM-2.3
See page EM • MR-1



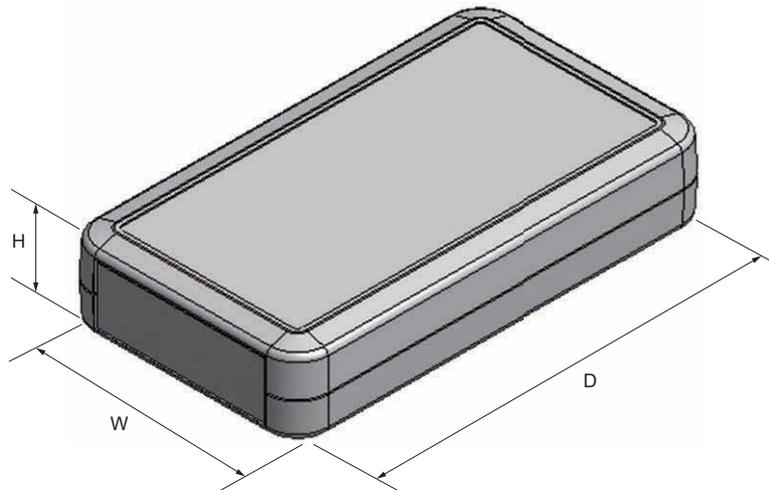
TORX screw MR series
See page EM • MR-1



Suspension bracket WM series
See page WM-1

■ Drawings below are reference examples only.
DXF/DWG/PDF drawings available on our website.

■ Refer to page LCT · LCS · LC · LCE-5 ~ LCT · LCS · LC · LCE-8 for detailed internal enclosure dimensions.



Product no. / Dimensions

	Product no.	W	H	D	Included screws	Weight (g)
NEW	LCE115 -N -D	69	19.5	115	Countersunk M2.6-14 x 4 pcs	72.5
NEW	LCE115H -N -D	69	28	115	Countersunk M2.6-18 x 4 pcs	84
NEW	LCE135 -N -D	76	27	135	Countersunk M2.6-18 x 4 pcs	97
NEW	LCE145H -N -D	96	35	145	Countersunk M2.6-18 x 4 pcs	137
NEW	LCE165H -N -D	80	35	165	Countersunk M2.6-18 x 4 pcs	139

CONDUCTIVE PAINT CUSTOMIZATION AVAILABLE for LC series.

The LCE series are a selected few models of the LC series, customized with conductive paint.
Other LC series enclosures not listed can also be customized with conductive paint.

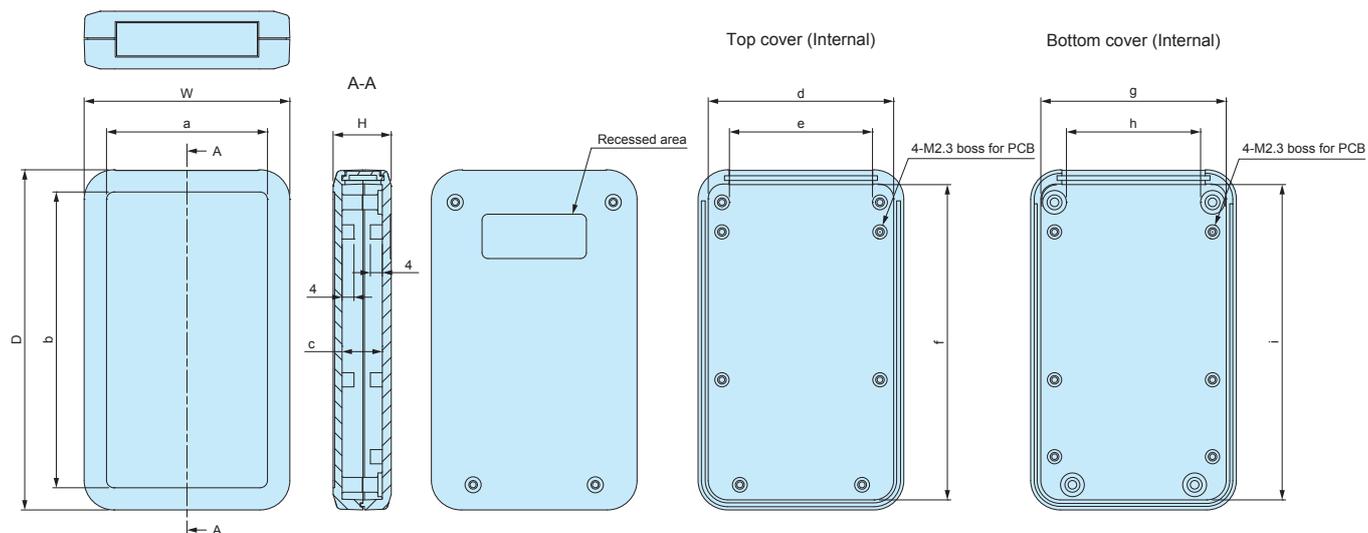
Contact us for more details.
E-mail : sales@takachi-el.co.jp



LCT • LCS (Case only) / LC • LCE Dimensions

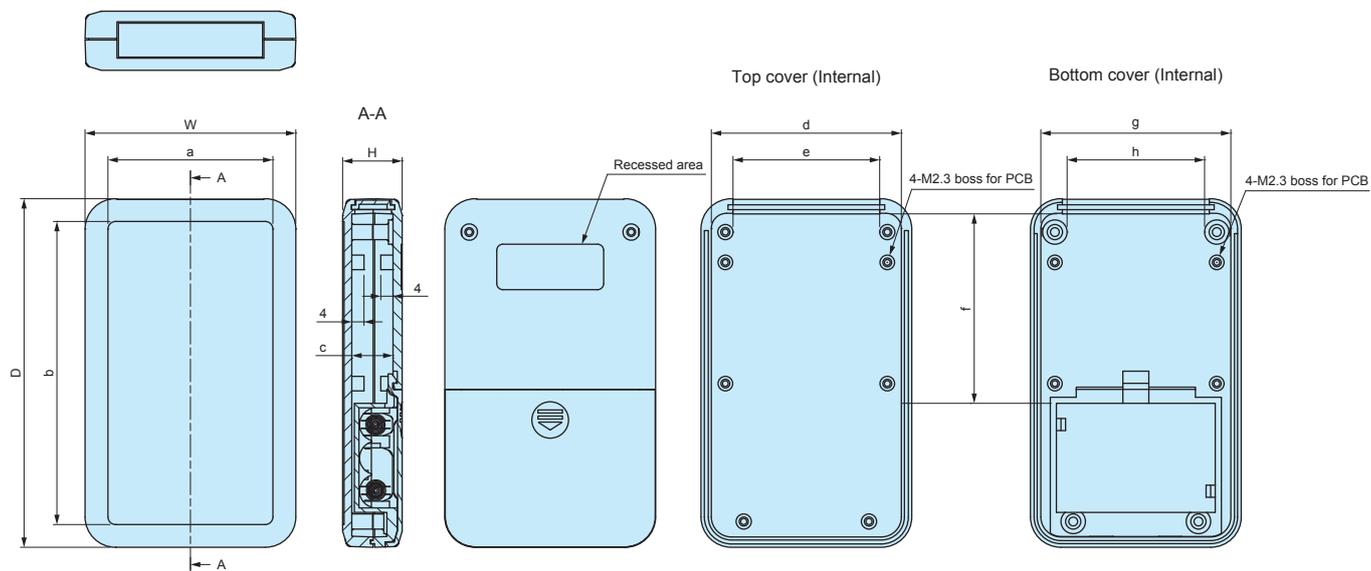
■ Drawings below are reference examples only.
DXF/DWG/PDF drawings available on our website.

LC / LCE / LCS / LCT115-N
LC / LCE / LCS / LCT115H-N



Product no.	W	H	D	a	b	c	d	e	f	g	h	i
LC • LCE • LCS • LCT115 -N	69	19.5	115	54	100	13.5	61.5	47	106.1	61.6	44	106.1
LC • LCE • LCS • LCT115H-N	69	28	115	54	100	22	60.9	47	105.5	61.5	44	106.1

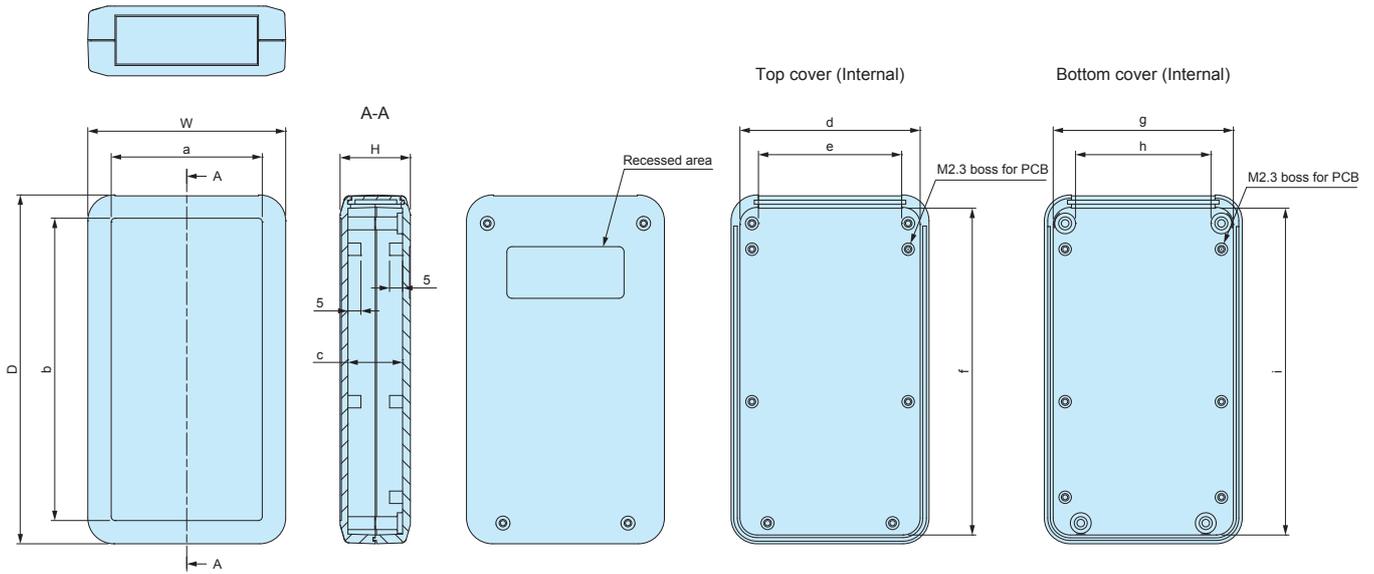
LC / LCS / LCT115-F2 • LC / LCS / LCT115H-F2
LC / LCS / LCT115-F3 • LC / LCS / LCT115H-F3
LC / LCS / LCT115H-M2 • LC / LCS / LCT115H-9V



Product no.	W	H	D	a	b	c	d	e	f	g	h
LC • LCS • LCT115 -F2	69	19.5	115	54	100	13.5	61.5	47	73.3	61.6	44
LC • LCS • LCT115 -F3	69	19.5	115	54	100	13.5	61.5	47	62.3	61.6	44
LC • LCS • LCT115H-F2	69	28	115	54	100	22	60.9	47	73.3	61.6	44
LC • LCS • LCT115H-F3	69	28	115	54	100	22	60.9	47	62.3	61.6	44
LC • LCS • LCT115H-M2	69	28	115	54	100	22	60.9	47	65.1	61.6	44
LC • LCS • LCT115H-9V	69	28	115	54	100	22	60.9	47	66	61.6	44

LC / LCE / LCS / LCT135-N
LC / LCS / LCT135H-N

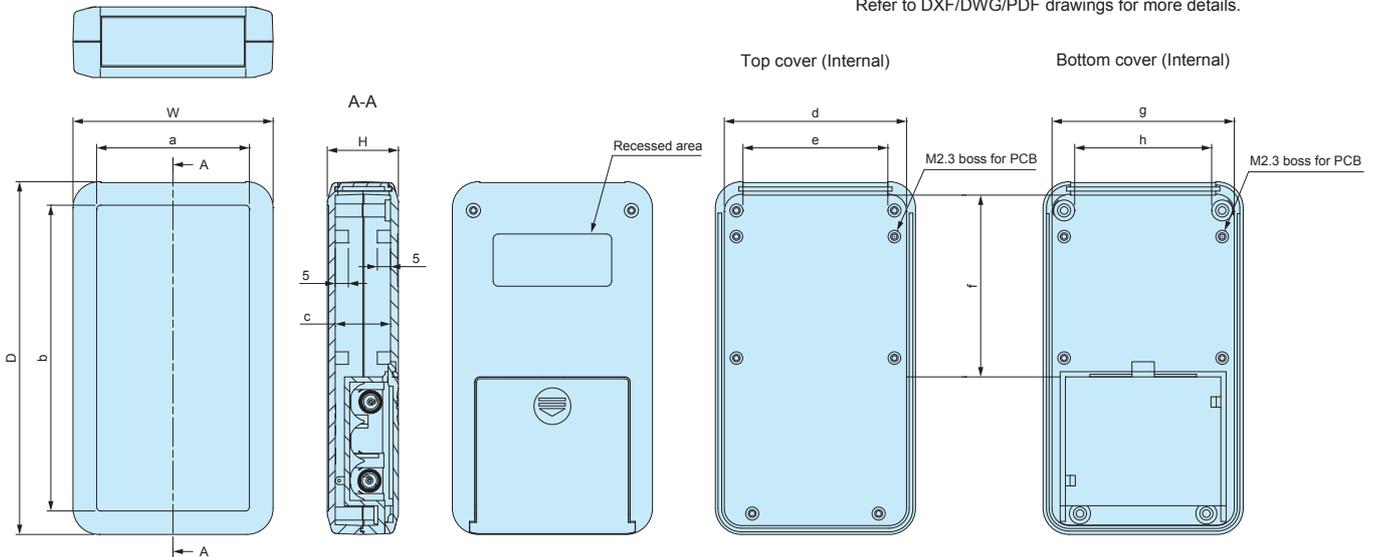
※ Number of PCB bosses vary by model.
Refer to DXF/DWG/PDF drawings for more details.



Product no.	W	H	D	a	b	c	d	e	f	g	h	i
LC • LCE • LCS • LCT135-N	76	27	135	58	117	21	68.2	55	125.8	68.3	51	125.9
LC • LCS • LCT135H-N	76	35	135	58	117	29	67.7	54	125.3	68.3	51	125.9

LC / LCS / LCT135-F4 • LC / LCS / LCT135H-F4 • LC / LCS / LCT135-M2 • LC / LCS / LCT135H-M2
LC / LCS / LCT135-M3 • LC / LCS / LCT135H-M3 • LC / LCS / LCT135-9V • LC / LCS / LCT135H-9V

※ Number of PCB bosses vary by model.
Refer to DXF/DWG/PDF drawings for more details.

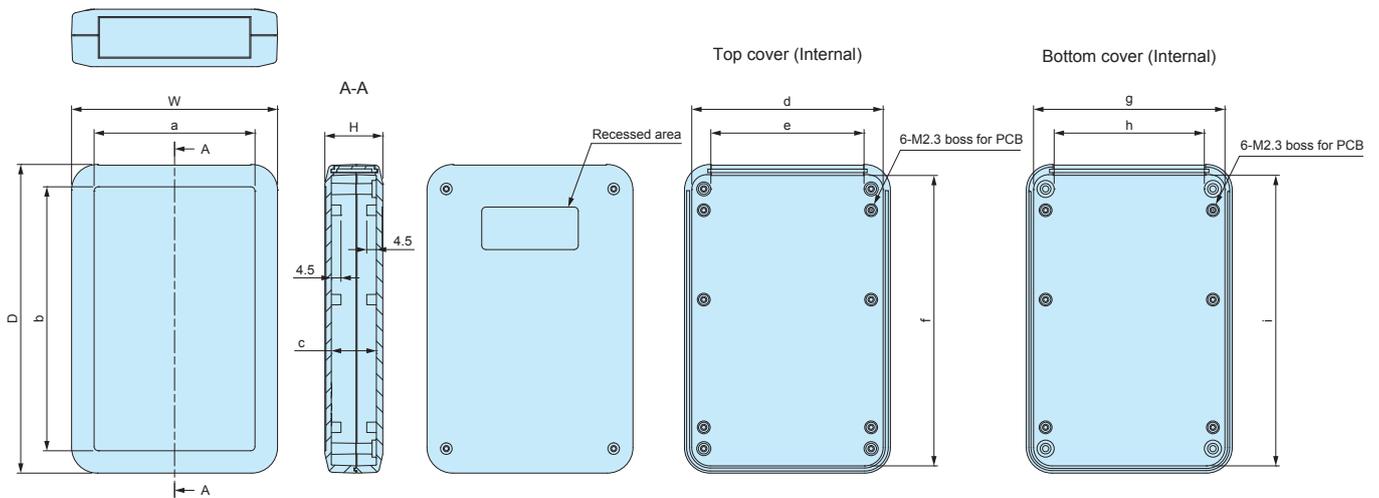


Product no.	W	H	D	a	b	c	d	e	f	g	h
LC • LCS • LCT135 -F4	76	27	135	58	117	21	68.2	55	69.4	68.3	51
LC • LCS • LCT135 -M2	76	27	135	58	117	21	68.2	55	84.5	68.3	51
LC • LCS • LCT135 -M3	76	27	135	58	117	21	68.2	55	69.4	68.3	51
LC • LCS • LCT135 -9V	76	27	135	58	117	21	68.2	55	84.5	68.3	51
LC • LCS • LCT135H-F4	76	35	135	58	117	29	67.7	54	69.4	68.3	51
LC • LCS • LCT135H-M2	76	35	135	58	117	29	67.7	54	84.5	68.3	51
LC • LCS • LCT135H-M3	76	35	135	58	117	29	67.7	54	69.4	68.3	51
LC • LCS • LCT135H-9V	76	35	135	58	117	29	67.7	54	84.5	68.3	51

LCT • LCS (Case only) / LC • LCE Dimensions

■ Drawings below are reference examples only.
DXF/DWG/PDF drawings available on our website.

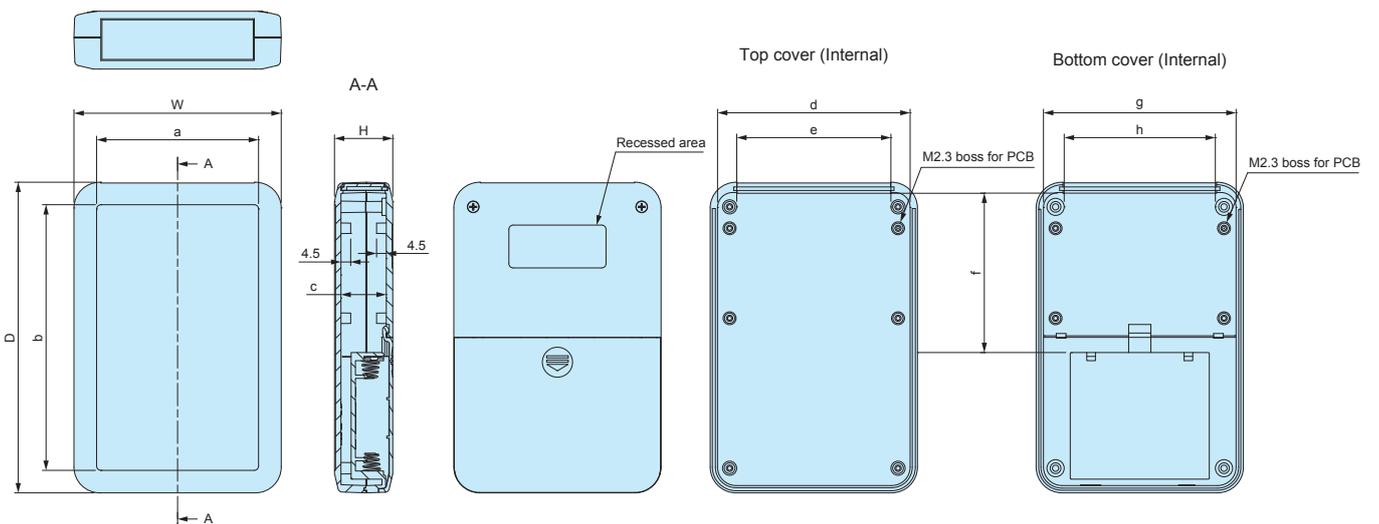
LC / LCS / LCT145S-N
LC / LCS / LCT145-N
LC / LCE / LCS / LCT145H-N



Product no.	W	H	D	a	b	c	d	e	f	g	h	i
LC • LCS • LCT145S-N	96	20	145	75	124	14	88.3	71.4	135.9	87.9	68.9	135.5
LC • LCS • LCT145 -N	96	27	145	75	124	21	87.8	71.4	135.4	87.9	68.9	135.5
LC • LCE • LCS • LCT145H-N	96	35	145	75	124	29	87.2	71	134.8	87.9	68.9	135.5

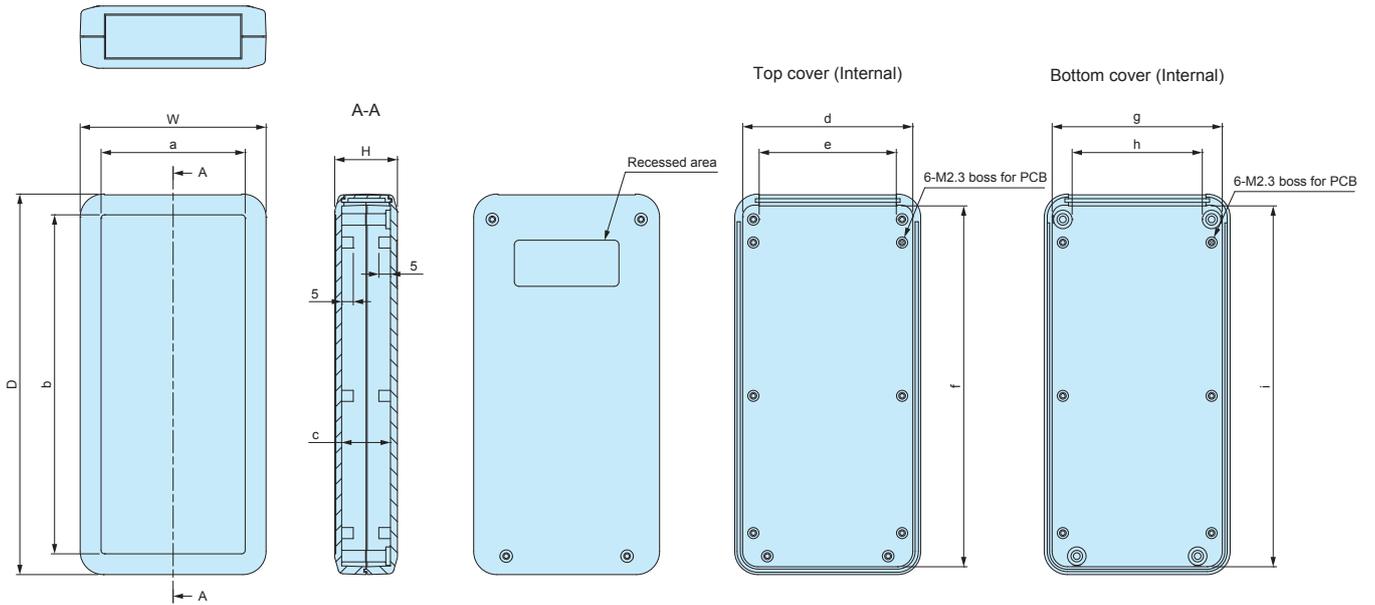
LC / LCS / LCT145S-F6 • LC / LCS / LCT145-F6 • LC / LCS / LCT145H-F6
LC / LCS / LCT145-M2 • LC / LCS / LCT145H-M2
LC / LCS / LCT145-M4 • LC / LCS / LCT145H-M4

※ Number of PCB bosses vary by model.
Refer to DXF/DWG/PDF drawings for more details.



Product no.	W	H	D	a	b	c	d	e	f	g	h
LC • LCS • LCT145S -F6	96	20	145	75	124	14	88.3	71.4	78.4	87.9	68.9
LC • LCS • LCT145 -F6	96	27	145	75	124	21	87.8	71.4	78.4	87.9	68.9
LC • LCS • LCT145 -M2	96	27	145	75	124	21	87.8	71.4	97.4	87.9	68.9
LC • LCS • LCT145 -M4	96	27	145	75	124	21	87.8	71.4	74	87.9	68.9
LC • LCS • LCT145H -F6	96	35	145	75	124	29	87.2	71	78.4	87.9	68.9
LC • LCS • LCT145H-M2	96	35	145	75	124	29	87.2	71	97.4	87.9	68.9
LC • LCS • LCT145H-M4	96	35	145	75	124	29	87.2	71	74	87.9	68.9

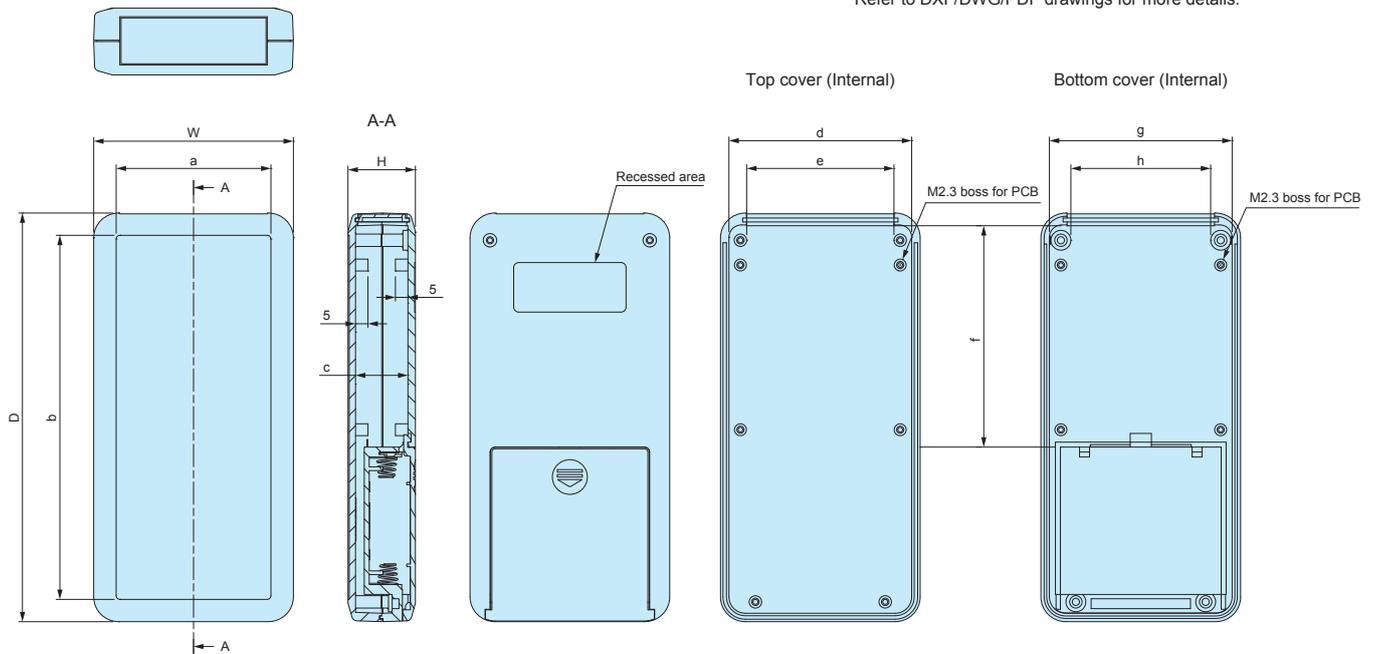
LC / LCS / LCT165-N
LC / LCE / LCS / LCT165H-N



Product no.	W	H	D	a	b	c	d	e	f	g	h	i
LC • LCS • LCT165-N	80	27	165	62	147	21	72.2	58	155.8	72.3	55	155.9
LC • LCE • LCS • LCT165H-N	80	35	165	62	147	29	71.7	58	155.3	72.3	55	155.9

LC / LCS / LCT165-M4
LC / LCS / LCT165H-M4

※ Number of PCB bosses vary by model.
Refer to DXF/DWG/PDF drawings for more details.



Product no.	W	H	D	a	b	c	d	e	f	g	h
LC • LCS • LCT165 -M4	80	27	165	62	147	21	72.2	58	89.2	72.3	55
LC • LCS • LCT165H-M4	80	35	165	62	147	29	71.7	58	89.2	72.3	55

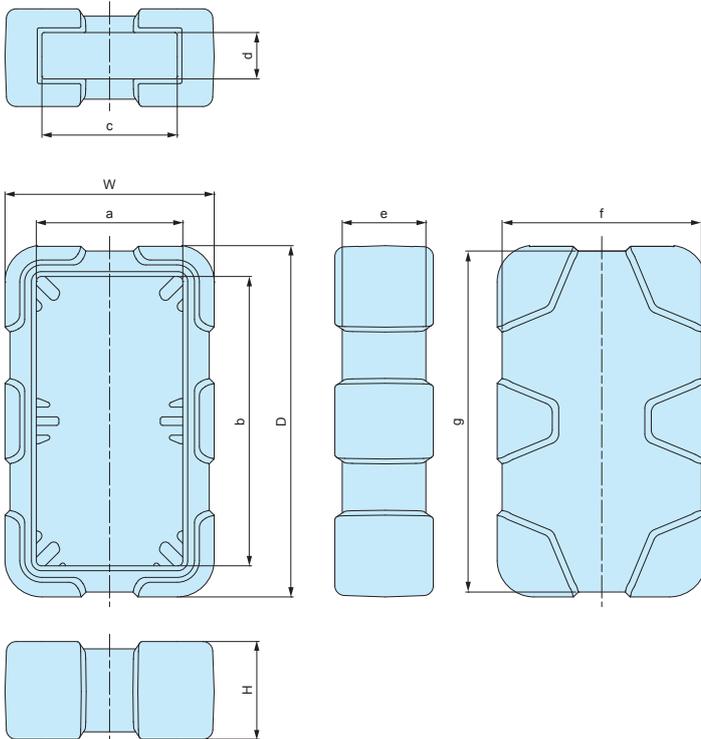
LCTP SERIES

SHOCK-PROOF SILICONE COVER

Color Type



- Shock-proof silicone cover for LC series. New sizes now available!
- Custom color is available from 500pcs per order batch. For custom color order, please specify **PANTONE®**, RGB color number or provide your sample color.
- Drawings below are reference examples only. DXF/DWG/PDF drawings available on our website.



APPLICATION EXAMPLE

ULTRASONIC HARDNESS TESTER
Product by NOVOTEST (Ukraine)



Components

Part name	Material	Color
Silicone cover	Silicone	Orange • Green • Navy • Dark gray • Light gray

Product no. / Dimensions

■ Please suffix color code at the end of the product number.

Product no.	W	H	D	a	b	c	d	e	f	g	Suitable case	Weight (g)
LCTP115 -□	76	28	121.9	55.5	101.5	48.3	12	24	72	117.8	LC115	53.5
LCTP115H -□	76	36.5	121.9	55.5	101.5	48.3	20.5	32.5	72	117.8	LC115H	61
LCTP135 -□	85	40	143.9	59.5	118.5	55	19	34	81	139.7	LC135	115.5
LCTP135H -□	85	48	143.9	59.5	118.5	55	27	42	81	139.6	LC135H	124
LCTP145S -□	105	33	153.9	76.5	125.5	71	12	27	101	149.9	LC145S	129.1
LCTP145 -□	105	40	153.9	76.5	125.5	71	19	34	101	149.7	LC145	137.5
LCTP145H -□	105	48	153.9	76.5	125.5	71	27	42	101	149.7	LC145H	147
LCTP165 -□	89	40	173.9	63.5	148.5	59	19	34	85	169.7	LC165	143
LCTP165H -□	89	48	173.9	63.5	148.5	59	27	42	85	169.6	LC165H	151.5

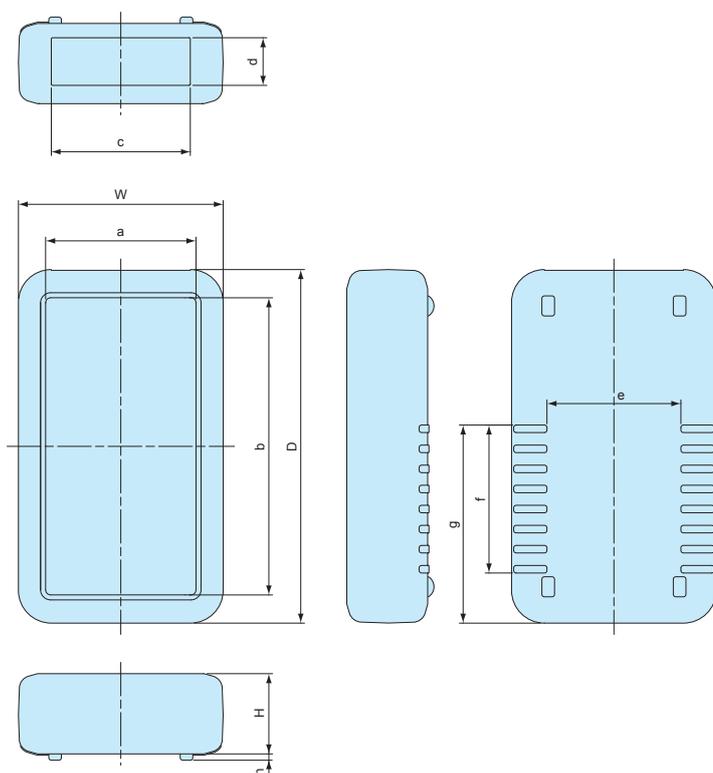
LCSC SERIES

SILICONE COVER

Color Type

Code	[R] Red	[Y] Yellow	[G] Green	[B] Blue	[N] Navy	[D] Dark gray	[L] Light gray
Color							

- Silicone cover for LC Series.
- Custom color is available from 500pcs per order batch. For custom color order, please specify **PANTONE®**, RGB color number or provide your sample color.
- Drawings below are reference examples only.
DXF/DWG/PDF drawings available on our website.



APPLICATION EXAMPLE

TEMPERATURE SURVEILLANCE SENSOR

Product by SENFIO (Brazil)



Components

Part name	Material	Color
Silicone cover	Silicone	Red • Yellow • Green • Blue • Navy • Dark gray • Light gray

Product no. / Dimensions

■ Please suffix color code at the end of the product number.

Product no.	W	H	D	a	b	c	d	e	f	g	h	Suitable case	Weight (g)
LCSC115 -□	74	24	120	55.5	101.5	48.3	12	46	44.5	60.5	2	LC115	43
LCSC115H-□	74	32.5	120	55.5	101.5	48.3	20.5	46	44.5	60.5	2	LC115H	50
LCSC135 -□	81	32	141	59.5	118.5	55	19	53	59	79	2.5	LC135	70
LCSC135H-□	81	40	141	59.5	118.5	55	27	53	59	79	2.5	LC135H	75.5
LCSC145S-□	101	25	151	76.5	125.5	71	12	71	59	81	2.5	LC145S	73.4
LCSC145 -□	101	32	151	76.5	125.5	71	19	71	59	81	2.5	LC145	81
LCSC145H-□	101	40	151	76.5	125.5	71	27	71	59	81	2.5	LC145H	89
LCSC165 -□	85	32	171	63.5	148.5	59	19	53	67	92	2.5	LC165	82.5
LCSC165H-□	85	40	171	63.5	148.5	59	27	53	67	92	2.5	LC165H	86



EMC
Shielding
Effects



- PFE series is an EMC shielded version of the PF series network plastic box coated internally with DOTITE conductive paint (acrylic paint mixed with nickel filler).
- Flat designed plastic case with detachable panels.
- Made of flame-resistant ABS UL94V-0.
- Equipped with built-in bosses for PCB mounting.
- Suitable for Wi-Fi access point, measuring equipment, controller or various other applications for desktop, wall mounting use and so on.

Technical Data

Protection class: IP40
Operating temperature: -10°C ~ +60°C

Included screws
PFE20-4-13 model : M3-8 x 4 pcs
PFE other models : M2.5-8 x 4 pcs

Components

No.	Part name	Pcs	Material	Color / Finish	Conductive paint
1	Top cover	1	ABS UL94V-0	Off-white	DOTITE
2	Bottom base	1	ABS UL94V-0	Off-white	DOTITE
3	Panel	2	ABS UL94V-0	Off-white	DOTITE
4	Self-tapping screw	4	Steel	Nickel plated	—
5	Rubber feet	4	Elastomer	Dark gray	—

Accessories (Optional parts)



Tapping standoff TPS series
See page TPS • MT-1



PCB mounting screw EM series
See page EM • MR-1



TORX screw MR series
See page EM • MR-1



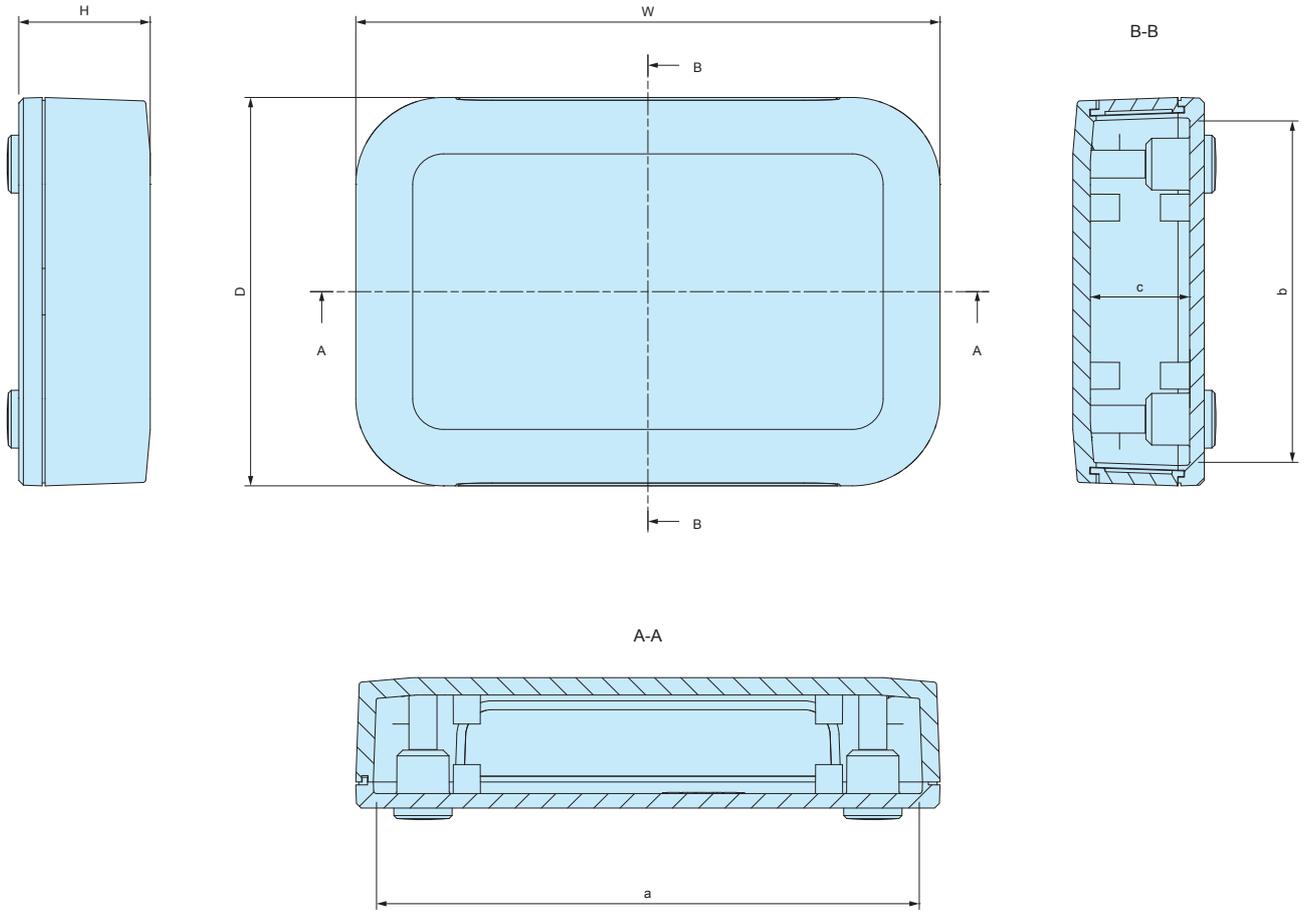
Suspension bracket WM series
See page WM-1



Tilt leg TLW series
See page TLW-1

PFE dimensions

■ Drawings below are reference examples only.
DXF/DWG/PDF drawings available on our website.



※Refer to DXF/DWG/PDF drawings for the numbers of PCB bosses on each size of enclosures.

Product no. / Dimensions

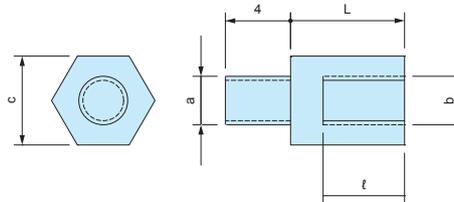
Product no.	Dimensions						Screw	Weight (g)
	W	H	D	a	b	c		
NEW PFE13-4-9W	125	40	85	116	75	34.5	M2.5-8 x 4 pcs	114
NEW PFE15-3-10W	150	30	100	142	90	24	M2.5-8 x 4 pcs	152
NEW PFE15-5-15W	150	45	150	141	139	39	M2.5-8 x 4 pcs	244.5
NEW PFE20-4-13W	200	40	135	191.5	124.5	34	M3-8 x 4 pcs	274.5

TPS SERIES

TAPPING STANDOFF



- Tapping screw head allows for easy installation onto existing enclosure boss mount.
- 3 different sizes available : M2.3, M2.6 and M3 size.



Product no. / Dimensions

■ Material / Finish : Brass / Unfinished

Product no.	Screw size (a)	Screw size (b)	c	L	ℓ	Pack of	Recommended enclosure models	
TPS-M2.3-4	M2.3	M2.3	5	4	3	4	WH series • PFE series LC • LCE • LCS • LCT series PF • PFF series (M2.3 boss models) TW • TWN • TWF series (M2.3 boss models) WP series (M2.3 boss models)	
TPS-M2.3-5	M2.3	M2.3	5	5	3	4		
TPS-M2.3-6	M2.3	M2.3	5	6	4	4		
TPS-M2.3-7	M2.3	M2.3	5	7	5	4		
TPS-M2.3-8	M2.3	M2.3	5	8	6	4		
TPS-M2.3-10	M2.3	M2.3	5	10	6	4		
TPS-M2.3-12	M2.3	M2.3	5	12	6	4		
TPS-M2.6-4	M2.6	M2.6	5	4	3	4		PF • PFF series (M2.6 boss models) WP series (M2.6 boss models)
TPS-M2.6-5	M2.6	M2.6	5	5	3	4		
TPS-M2.6-7	M2.6	M2.6	5	7	5	4		
TPS-M2.6-10	M2.6	M2.6	5	10	6	4		
TPS-M2.6-12	M2.6	M2.6	5	12	6	4	SU • OP series TWS • TW • TWN • TWF series (M3 boss models)	
TPS-M3-4	M3	M3	5.5	4	3	4		
TPS-M3-5	M3	M3	5.5	5	3	4		
TPS-M3-6	M3	M3	5.5	6	4	4		
TPS-M3-7	M3	M3	5.5	7	5	4		
TPS-M3-8	M3	M3	5.5	8	5	4		
TPS-M3-10	M3	M3	5.5	10	6	4		
TPS-M3-12	M3	M3	5.5	12	6	4		



- Please use a suitable sized socket driver to both secure and loosen the tapping standoff.



MT SERIES

PCB MOUNTING SCREWS for TPS



- PCB mounting Screws for TPS tapping standoffs.

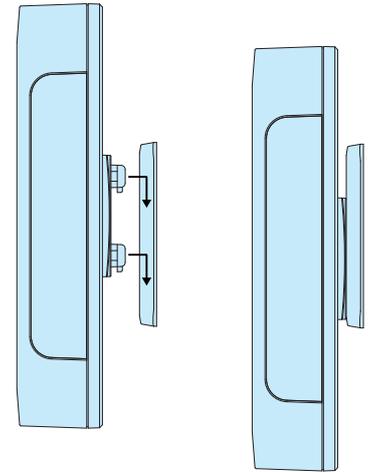
Product no. / Dimensions

Product no.	M	L	Head style	Material	Finish	Pack of
NEW MT2.3-4	2.3	4	Pan	Steel	Trivalent chromate	20
NEW MT2.3-6	2.3	6		Steel	Trivalent chromate	20
NEW MT2.6-4	2.6	4		Steel	Trivalent chromate	20
MT3-4	3	4		Steel	Trivalent chromate	20

WM SERIES

SUSPENSION BRACKET

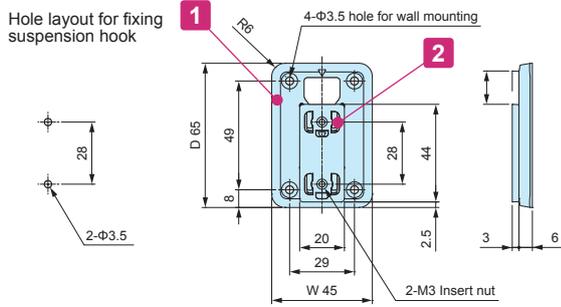
How to install



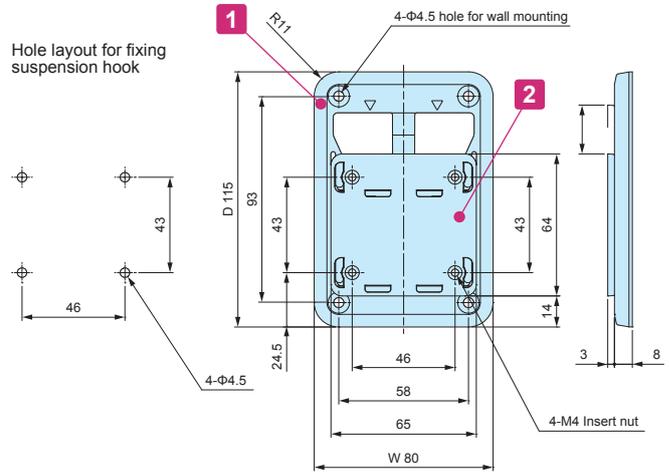
- Plastic wall mounting bracket. Easy attachment and removal.
- Large and small brackets are available.
- Applicable not only for the PF series, but also other plastic/metal enclosures with a panel thickness of 0.8 ~ 3.5mm.
- To attach the suspension hook onto the enclosure, hole milling is required.
- The max load values listed are static load values only. Use caution when handling.
- Please be aware of the insertion direction of the suspension hook against the mounting base when attaching.

Technical Data
Max load : 2 kg - WM-1 5 kg - WM-2

WM-1



WM-2



■ DXF/DWG/PDF drawings available on our website.

Components

No.	Part name	Pcs	Material	Color / Finish
1	Mounting base	1	PC + ABS UL94HB	Off-white • Dark gray
2	Suspension hook	1	PC + ABS UL94HB	Off-white • Dark gray
-	Insert nut	2 / 4	Brass	Unfinished
-	Screw	2	M3-8 Steel binding = WM-1	Nickel plated
-	Screw	4	M4-8 Steel binding = WM-2	Nickel plated

Product no. / Dimensions

Product no.		Dimensions		Mountable thickness	Weight (g)
● Off-white	● Dark gray	W	D		
WM-1W	WM-1D	45	65	t0.8 ~ t3.5	11.5
WM-2W	WM-2D	80	115	t0.8 ~ t3.5	48

NMG SERIES

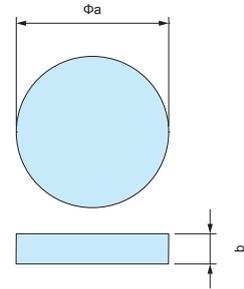
NEODYMIUM MAGNET



Round magnet



- Material / Finish: Neodymium / Nickel plated
- Please attach using a strong adhesive.



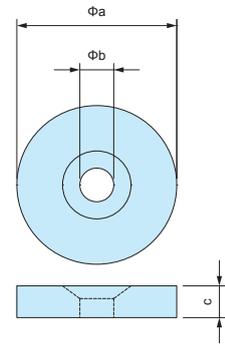
Components

Product no.	a	b	Weight (g)	Flus Density	Adsorption
NMG3-15N	15	3	4	214.4 mT	2.44 kgf
NMG3-20N	20	3	7.1	170.7 mT	3.26 kgf
NMG5-22N	22	5	11.4	247.2 mT	5.91 kgf
NMG5-25N	25	5	18.4	221.9 mT	6.89 kgf

Round magnet with countersunk hole



- Please fasten with a screw.



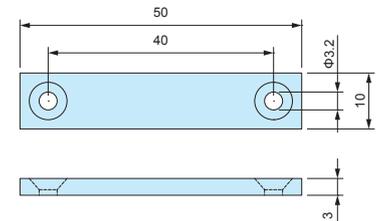
Components

Product no.	a	b	c	Countersunk size	Weight (g)	Flus Density	Adsorption
NMG3-15M3	15	3.2	3	M3	3.8	214.3 mT	2.33 kgf
NMG3-20M3	20	3.2	3	M3	6.9	170.6 mT	3.17 kgf
NMG5-22M4	22	4.3	5	M4	13.7	247.2 mT	5.68 kgf
NMG5-25M5	25	5.3	5	M5	17.6	221.9 mT	6.58 kgf

Rectangular magnet with countersunk holes



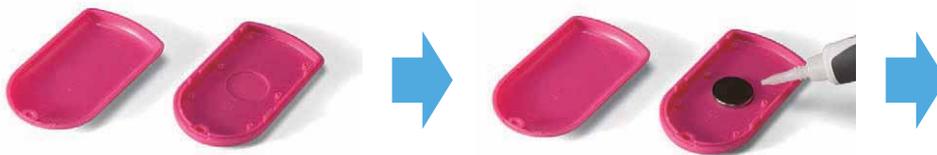
- Please fasten with a screw.



Components

Product no.	a	b	c	Countersunk size	Weight (g)	Flus Density	Adsorption
NMG3-50M3	50	10	3	M3	11.3	210.0 mT	9.1 kgf

Example 1 The magnetic force remains strong even through plastic.



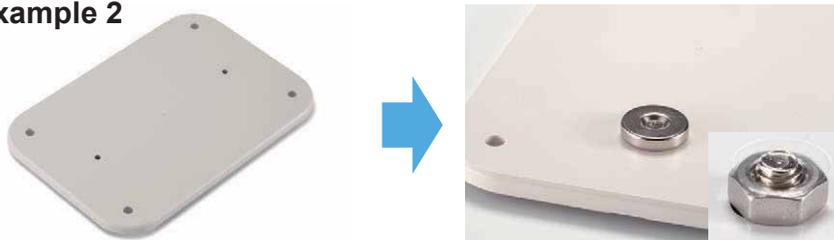
Make recessed pocket on the inside wall.

Glue on.



Attach onto a metallic surface.

Example 2



Make holes

Fasten with a screw and nut.



Attach onto a metallic surface.

CAUTION: Handle with care to avoid personal injury or damage to the magnet.

TLW SERIES TILT LEG



Application Example

- Double shot injection molded feet with soft and well-designed rounded shape.
- Non-slip design with Elastomer (TPE) pad.
- Available in 3 different color combinations on TLW-46 models, and 2 different color combinations on TLW-70 models.

Technical Data
Max load : 7kg

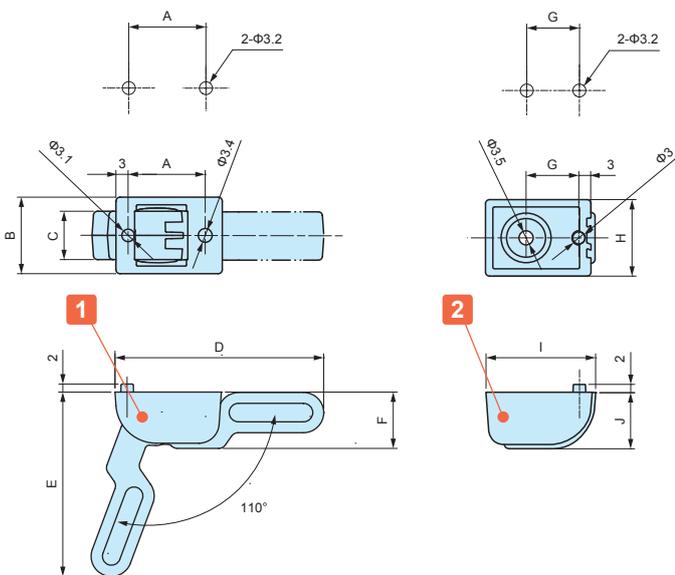
Components

No.	Part name	Pcs	Material	Color / Finish
1	Front feet	2	PC+ABS UL94V-0, TPE	Black & Black • Navy & Gray • Light gray & Gray
2	Rear Feet	2	PC+ABS UL94V-0, TPE	Black & Black • Navy & Gray • Light gray & Gray
-	Washer head screw	4	Steel M3-6	Black Trivalent chromate
-	Nut	4	Steel M3	Black Trivalent chromate

- Drawings below are reference examples only.
DXF/DWG/PDF drawings available on our website.

Mounting hole (Front)

Mounting Hole (Rear)



- Possible to be installed on both plastic and aluminum enclosures.



Product no. / Dimensions

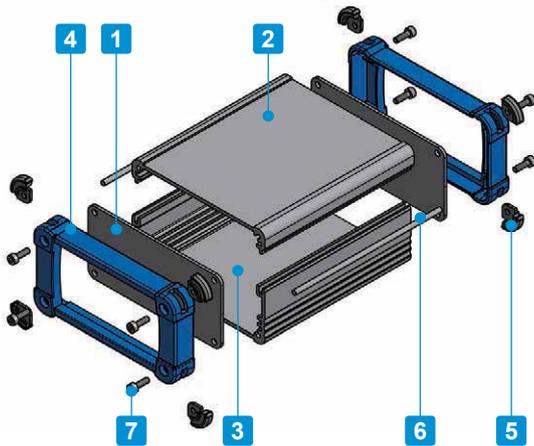
Product no.	A	B	C	D	E	F	G	H	I	J	Color (plastic)	Color (TPE)	Weight (g)
TLW-46BB	19	19	12	51.2	45.9	14	13	19	27	14	Black	Black	23
TLW-46NG	19	19	12	51.2	45.9	14	13	19	27	14	Navy	Gray	23
TLW-46LG	19	19	12	51.2	45.9	14	13	19	27	14	Light gray	Gray	23
NEW TLW-70BB	30	25	16	75.4	69	21.5	20	25	39	21.5	Black	Black	59
NEW TLW-70LG	30	25	16	75.4	69	21.5	20	25	39	21.5	Light gray	Gray	59

EXPE SERIES

ALUMINIUM EMC SHIELD CASE with CORNER GUARD



EMC
Shielding
Effects



- Corner guards are designed to be both aesthetically pleasing, and impact resistant.
- Available in 67 different sizes and 8 different color combinations.
- EMC shielding is achieved by having the unfinished inner sides of the top/bottom covers and panels, as well as the fabric-over-foam gasket in contact with one another.

Included screws
 EXPE 7-□, 9-□ models : M2.5-8 x 8 pcs
 EXPE12-□, 15-□ models : M3-10 x 8 pcs
 EXPE20-□ models : M4-12 x 8 pcs
 EXPE24-□ models : M5-12 x 8 pcs
 ※Hexagonal wrench included.

Components

No.	Part name	Pcs	Material	Color / Finish
1	Panel	2	Aluminium A1100P	Silver / Painted (outside) • Unfinished (inside)
2	Top cover	1	Extruded aluminium A6063S-T5	Silver / Painted (outside) • Unfinished (inside)
3	Bottom cover	1	Extruded aluminium A6063S-T5	Silver / Painted (outside) • Unfinished (inside)
4	Exterior frame	2	PC+ABS UL94V-0	Black • Gray / Unpainted Indigo • Navy • Yellow • Orange • Red / Painted
5	Corner guard	8	Silicone	Black • Dark gray
6	Fabric-over-foam gasket	2	Conductive fabric : TPE	Metallic gray
7	Screw	8	Stainless steel	Unfinished

■ See page 149 ~ 152 for Top / Bottom cover dimensions.

Color Type

Code	S B Silver / Black	S G Silver / Gray	S I Silver / Indigo	S N Silver / Navy
Color				
Code	S L Silver / Lime	S Y Silver / Yellow	S O Silver / Orange	S R Silver / Red
Color				

EXEF SERIES

FLANGED ALUMINIUM EMC SHIELD CASE



EMC Shielding Effects



- EMC shielding is achieved by having the unfinished inner sides of the top/bottom covers and panels, as well as the fabric-over-foam gasket in contact with one another.
- Equipped with flanged frame for easy wall mounting.
- Available in 67 different sizes and 3 different color combinations.

Included screws

EXEF 7-□, 9-□ models : M2.5-8 x 8 pcs

EXEF11-□, 15-□ models : M3-10 x 8 pcs

EXEF20-□ models : M4-12 x 8 pcs

EXEF24-□ models : M5-12 x 8 pcs

※Hexagonal wrench included.

Components

No.	Part name	Pcs	Material	Color / Finish
1	Panel	2	Aluminium A1100P	Silver / Painted (outside) • Unfinished (inside)
2	Top cover	1	Extruded aluminium A6063S-T5	Silver / Painted (outside) • Unfinished (inside)
3	Bottom cover	1	Extruded aluminium A6063S-T5	Silver / Painted (outside) • Unfinished (inside)
4	Flanged frame	2	PC+ABS UL94V-0	Black • Gray / Unpainted Navy / Painted
5	Fabric-over-foam gasket	2	Conductive fabric : TPE	Metallic gray
6	Screw	8	Stainless steel	Unfinished

■ See page 149 ~ 152 for Top / Bottom cover dimensions.

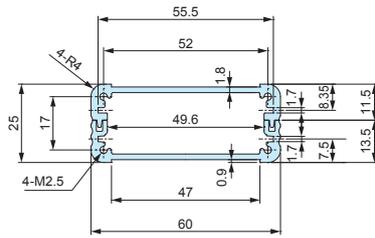
Color Type

Code	S/B Silver / Black	S/G Silver / Gray	S/N Silver / Navy
Color			

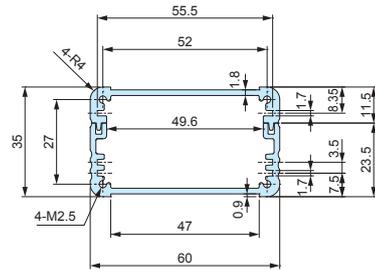
EXP • EXPE • EXW • EXPF • EXEF • EXWF • EX top / bottom covers

■ Drawings below are reference examples only.
DXF/DWG/PDF drawings available on our website.

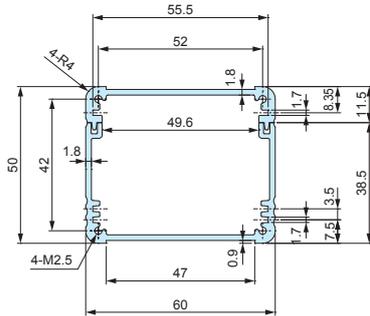
EXP • EXPE • EXW • EXPF • EXEF • EXWF7-4-□
EX6-3-□



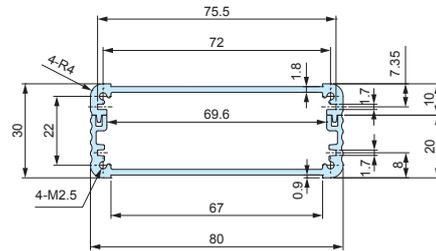
EXP • EXPE • EXW • EXPF • EXEF • EXWF7-4-□
EX6-4-□



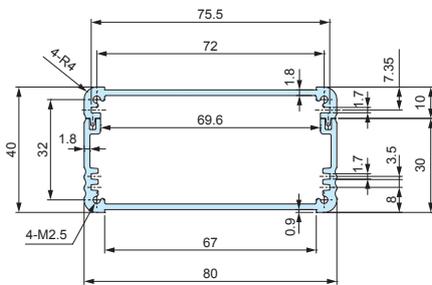
EXP • EXPE • EXW • EXPF • EXEF • EXWF7-6-□
EX6-5-□



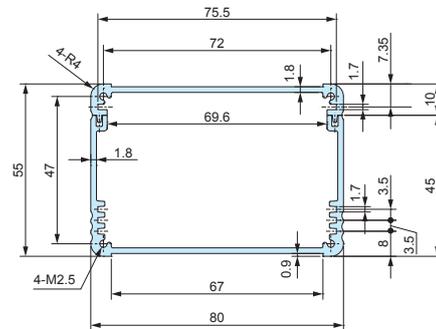
EXP • EXPE • EXW • EXPF • EXEF • EXWF9-4-□
EX8-3-□



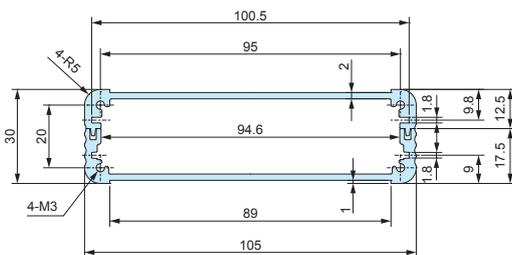
EXP • EXPE • EXW • EXPF • EXEF • EXWF9-5-□
EX8-4-□



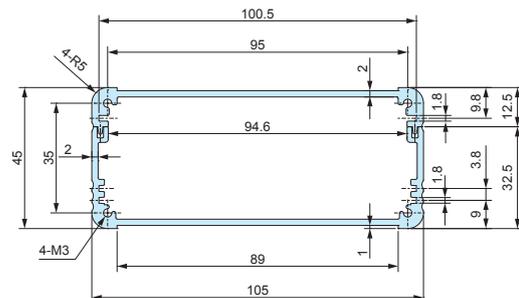
EXP • EXPE • EXW • EXPF • EXEF • EXWF9-6-□
EX8-6-□



EXP • EXPE • EXW12-4-□
EXPF • EXEF • EXWF11-4-□
EX11-3-□



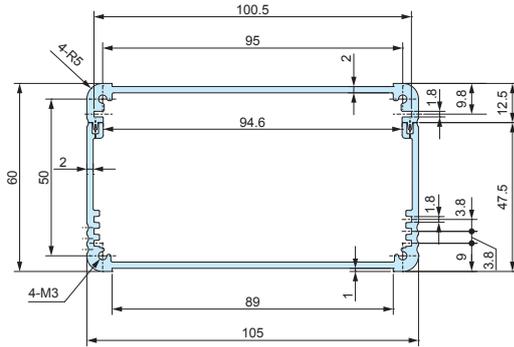
EXP • EXPE • EXW12-6-□
EXPF • EXEF • EXWF11-6-□
EX11-5-□



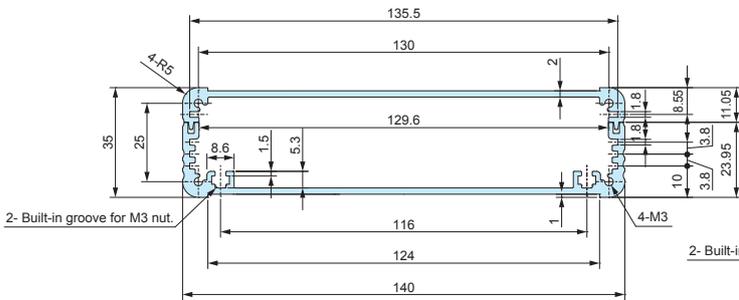
EXP • EXPE • EXW • EXPF • EXEF • EXWF • EX top / bottom covers

■ Drawings below are reference examples only.
DXF/DWG/PDF drawings available on our website.

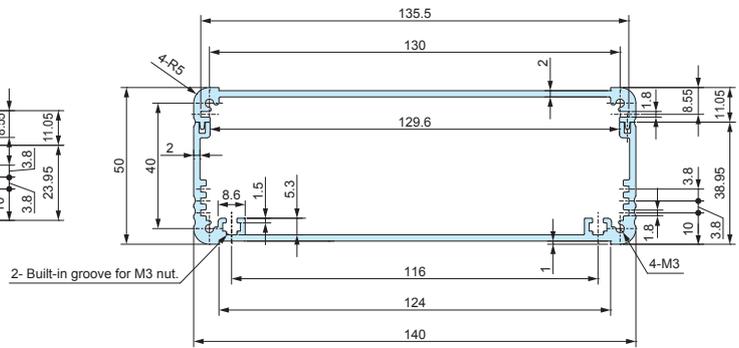
EXP • EXPE • EXW12-7-□
EXPF • EXEF • EXWF11-7-□
EX11-6-□



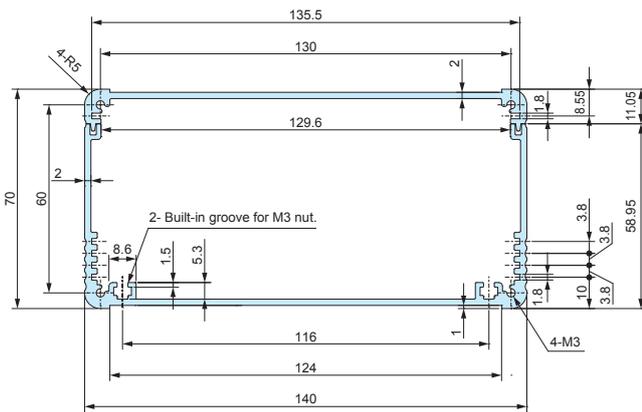
EXP • EXPE • EXW • EXPF • EXEF • EXWF15-5-□
EX14-4-□



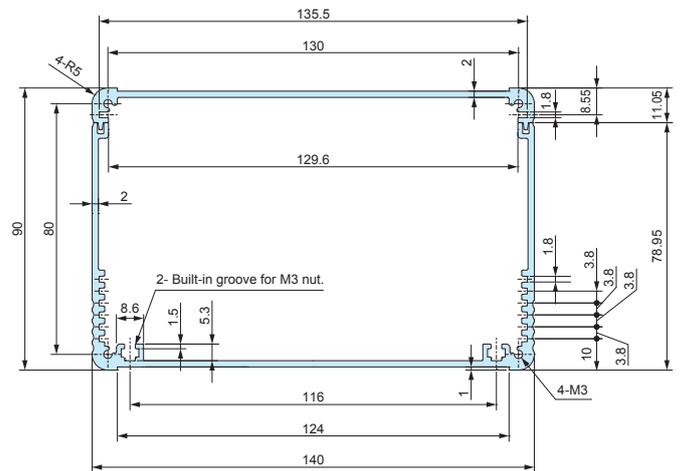
EXP • EXPE • EXW • EXPF • EXEF • EXWF15-6-□
EX14-5-□



EXP • EXPE • EXW • EXPF • EXEF • EXWF15-8-□
EX14-7-□



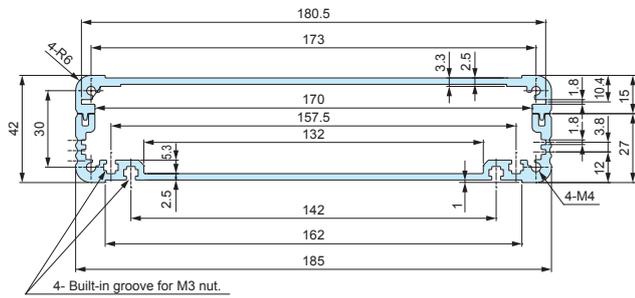
EXP • EXPE • EXW • EXPF • EXEF • EXWF15-10-□
EX14-9-□



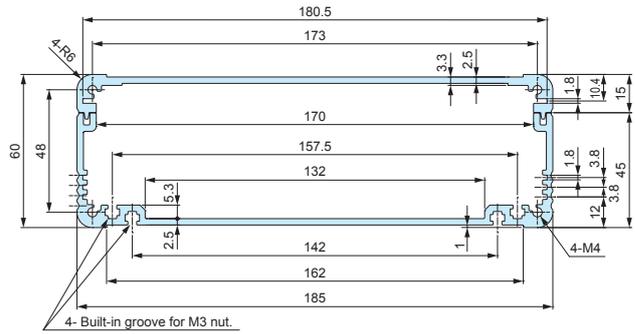
EXP • EXPE • EXPF • EXEF • EXWF • EX top / bottom covers

■ Drawings below are reference examples only.
DXF/DWG/PDF drawings available on our website.

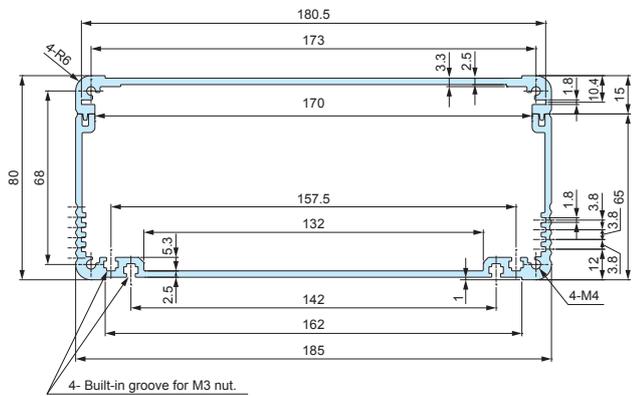
EXP • EXPE • EXPF • EXEF • EXWF20-6-□
EX19-4-□



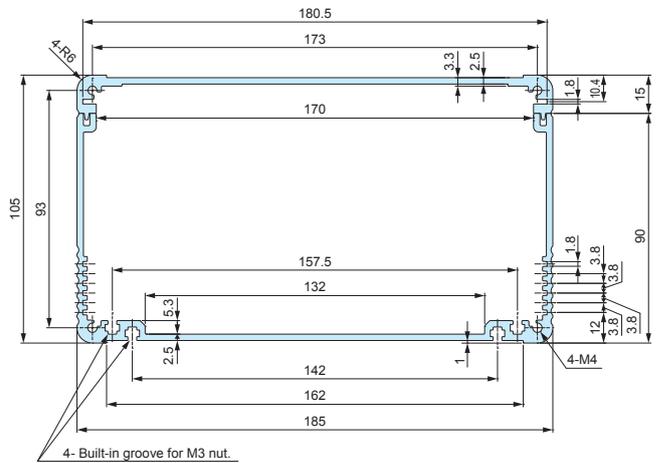
EXP • EXPE20-7-□
EXPF • EXEF • EXWF20-8-□
EX19-6-□



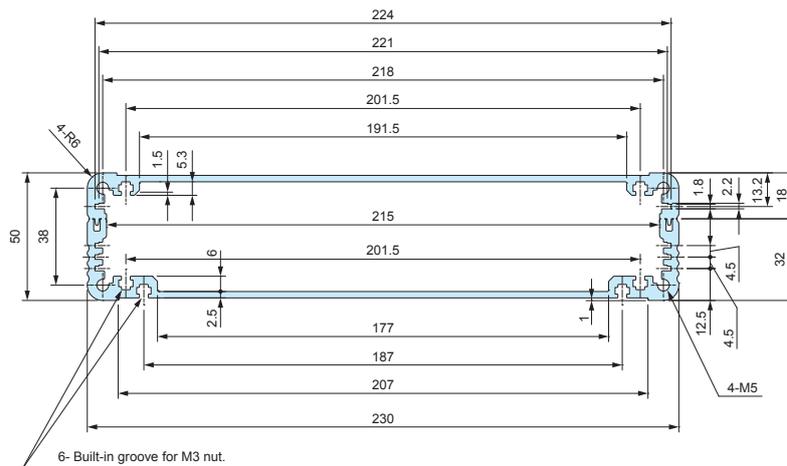
EXP • EXPE20-9-□
EXPF • EXEF • EXWF20-10-□
EX19-8-□



EXP • EXPE • EXPF • EXEF • EXWF20-12-□
EX19-11-□



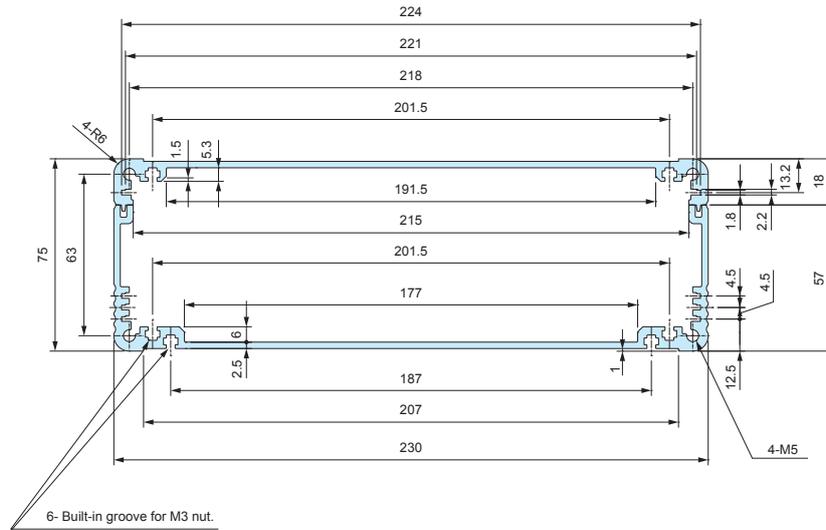
EXP • EXPE24-6-□
EXPF • EXEF • EXWF24-7-□
EX23-5-□



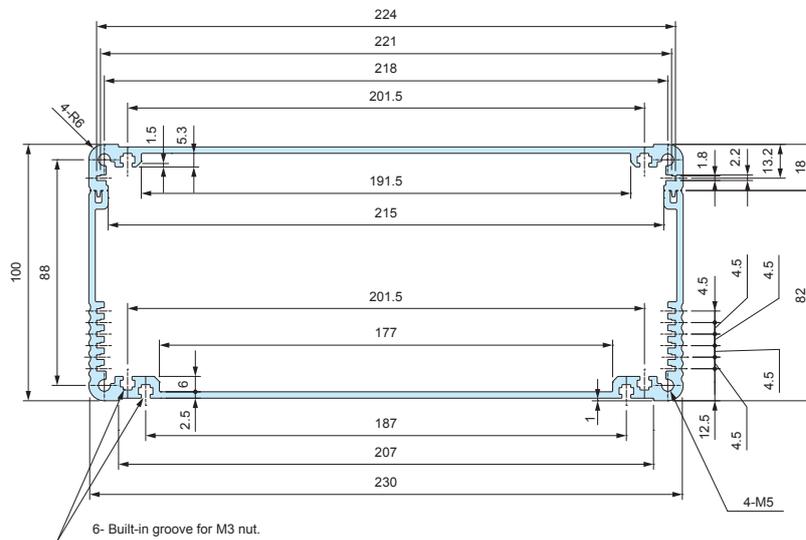
EXP • EXPE • EXPF • EXEF • EXWF • EX top / bottom covers

■ Drawings below are reference examples only.
DXF/DWG/PDF drawings available on our website.

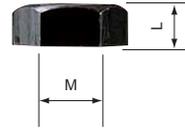
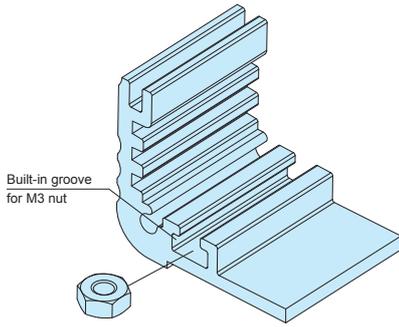
EXP • EXPE • EXPF • EXEF • EXWF24-9-□
EX23-8-□



EXP • EXPE24-11-□
EXPF • EXEF • EXWF24-12-□
EX23-10-□



MT-3N SLIDING NUT for EXP • EXPE • EXW • EXPF • EXEF • EXWF • EX



Product no. / Dimensions

Product no.	M	L	Material	Finish	Pack of
MT-3N	3	2.4	Steel	Black trivalent chromate	50

- Sliding nut can be used on all EXP • EXPE • EXW • EXPF • EXEF • EXWF • EX models with width 140mm or larger bottom covers, as well as with width 230mm top covers.

EXEG SERIES EMC SHIELDING FABRIC-OVER-FOAM GASKET for EXPE • EXEF NEW SIZE

- EMC shielding fabric-over-foam gasket for EXPE • EXEF series.

Suitable Enclosure

Product no.	Suitable enclosure
EXEG-2.5	EXPE7-□ • 9-□ • 12-□ • 15-□ / EXEF7-□ • 9-□ • 11-□ • 15-□
EXEG-3.2	EXPE20-□ • 24-□ / EXEF20-□ • 24-□



Product no. / Dimensions

Product no.	Φ	Material	Color	Sales unit
EXEG-2.5	2.5	Wire mesh gasket • TPE	Metallic gray	500mm x 1 pc
NEW EXEG-3.2	3.2	Wire mesh gasket • TPE	Metallic gray	500mm x 1 pc

Length tolerance = +/- 10%

APPLICATION EXAMPLE EX series

PREMAIN POWER AMPLIFIER

Product by AY-densi (Japan)



USB EDGE NODE

Product by SHINWA (Japan)



TLW SERIES

TILT LEG for EXP • EXPE • EXW • EX • EXH SERIES



Application Example

- Double shot injection molded feet with soft and well-designed rounded shape.
- Non-slip design with Elastomer (TPE) pad.
- Available in 3 different color patterns.

Technical Data

Max load : 7kg

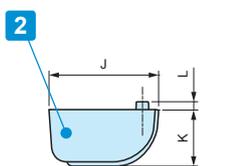
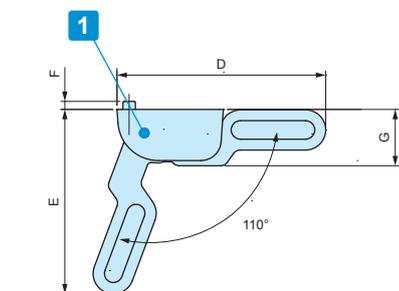
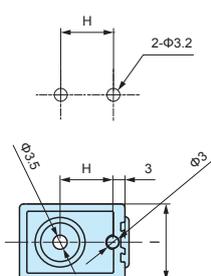
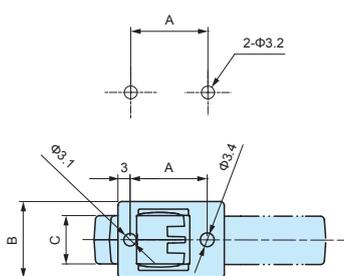
Components

No.	Part name	Pcs	Material	Color / Finish
1	Front feet	2	PC+ABS UL94V-0, TPE	Black & Black • Navy & Gray • Light gray & Gray
2	Rear Feet	2	PC+ABS UL94V-0, TPE	Black & Black • Navy & Gray • Light gray & Gray
-	Washer head screw	4	Steel M3-6	Black Trivalent chromate
-	Nut	4	Steel M3	Black Trivalent chromate

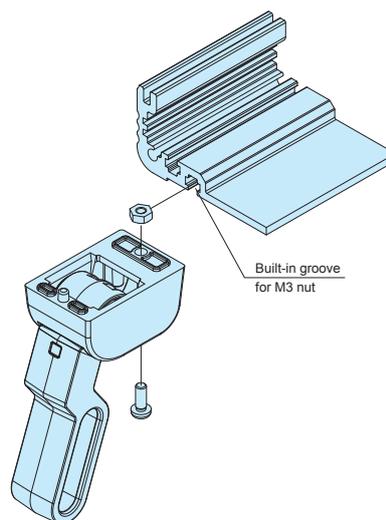
- Drawings below are reference examples only.
DXF/DWG/PDF drawings available on our website.

Mounting hole (Front)

Mounting Hole (Rear)



- Possible to install on Built-in groove with M3 nut for all EXP • EXPE • EXW • EX • EXH models with width 185mm or larger bottom covers.
- TLW-70E models are exclusively for width 185mm or larger bottom covers.



Product no. / Dimensions

Product no.	A	B	C	D	E	F	G	H	I	J	K	L	Color (plastic)	Color (TPE)	Weight (g)
TLW-46BB	19	19	12	51.2	45.9	2	14	13	19	27	14	2	Black	Black	23
TLW-46NG	19	19	12	51.2	45.9	2	14	13	19	27	14	2	Navy	Gray	23
TLW-46LG	19	19	12	51.2	45.9	2	14	13	19	27	14	2	Light gray	Gray	23
NEW TLW-70EBB	30	25	16	75.4	69	3	21.5	20	25	39	21.5	3	Black	Black	59
NEW TLW-70ENG	30	25	16	75.4	69	3	21.5	20	25	39	21.5	3	Navy	Gray	59
NEW TLW-70ELG	30	25	16	75.4	69	3	21.5	20	25	39	21.5	3	Light gray	Gray	59

AWA SERIES HEAT-SINK ALUMINIUM ENCLOSURE

AWA series is an aluminium enclosure that has a frame with heat-sink fins on both sides. Furthermore, the enclosure is also conductive, which provides a shielding effect.

By machining the panels, the unit becomes extremely suitable to be used as high-end audio, or as an industrial equipment.

APPLICATION EXAMPLE

INDUSTRIAL IoT INTERFACE DEVICE

Product by SEE Système Radio (France)



INDUSTRIAL FANLESS PC



AUDIO AMPLIFIER



WIDE-BAND SOLID STATE OPTICAL AMPLIFIER

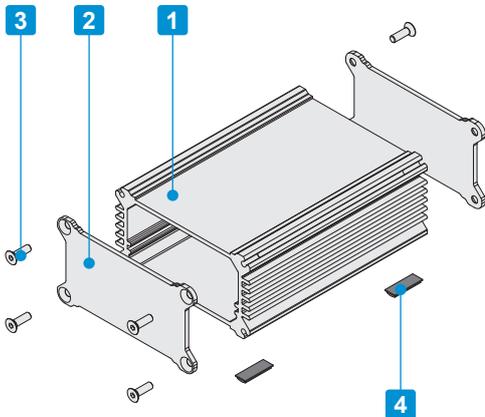
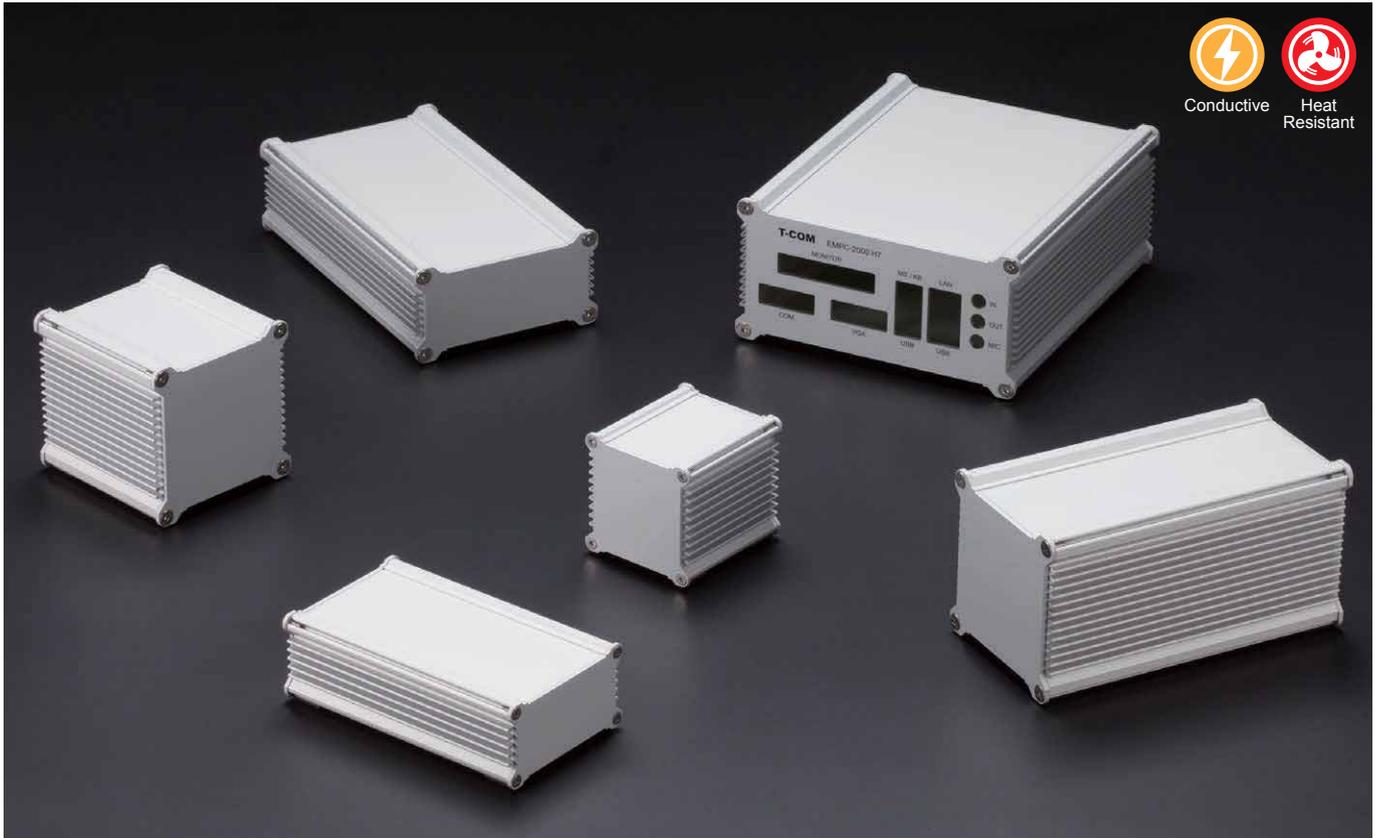
Product by Spectra Quest Lab. (Japan)



CUSTOMIZATION

CNC milling available for customization on AWA series.
See website for more details.





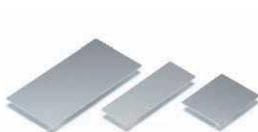
- Extruded aluminium frame manufactured with heat-sink sides.
- Silver anodized end panels makes for a luxurious finish.
- Conductivity is achieved by utilizing the contact between the unfinished end panels side, and the unfinished ends of the frame.
- PCB or chassis can be horizontally mounted by sliding into an inner-grooved body frame.
- Suitable for industrial fanless PC, measuring instrument, digital audio amplifier and so on.

Included screws :
 AWA5-3, 6-6, 8-4 models : Hex countersunk M3-10 x 8 pcs
 AWA8-8, 10-5, 12-7, 15-8 models : Hex countersunk M4-10 x 8 pcs
 AWA20-8 models : Hex countersunk M5-10 x 8 pcs
 ※Hexagonal wrench included.

Component

No.	Part name	Pcs	Material	Color / Finish
1	Body frame	1	Extruded aluminium A6063S-T5	Silver / Anodized
2	End panel	2	Aluminium A1050P	Silver / Anodized (outside) : Unfinished (inside)
3	Hex socket screw	8	Stainless steel	Unfinished
4	Rubber feet	4	Polyurethane	Black

Accessories (Optional parts)



Mounting plate AWC series
See page 170



Aluminium isolation feet AFS • AFM series
See page AFS • AFM-1 ~ AFS • AFM-2

AW · AWN · AWP IP67 ALUMINIUM ENCLOSURE

AW · AWN · AWP series are highly functional aluminium enclosures which are IP67 rated with heat dissipating heat-sink fins.

34 sizes available. Standard, Flanged, Shielding, and Silicone protector types are available. Suitable for LED power supply, industrial camera, controller or measuring instrument where waterproof and cooling performance are crucial.

APPLICATION EXAMPLE

LIQUID LEVEL SENSOR

Product by Watty Corporation (Japan)



HEAVY DUTY PORTABLE HARDNESS TESTER

Product by DEMEQ (Argentina)

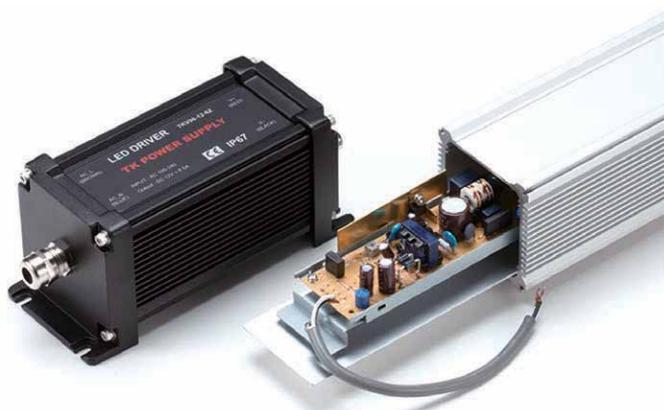


RADIO-CONTROLLED ELECTRONIC EXPLODER

Product by CODETEL (France)



OUTDOOR LED POWER SUPPLY



OPTICAL PHASE INTERROGATOR (OPI) DEVELOPMENT KIT

Product by Broadcom Limited (USA)



FBG DATA LOGGER

Product by NAGANO KEIKI (Japan)



DATA LOGGER with 3G MODEM REPORT FUNCTION

Product by mSolution (Hong Kong)



PIN HOLE DETECTOR

Product by SANKO ELECTRONIC LABORATORY (Japan)



PD ANNUNCIATOR

Product by ndb Technologies (Canada)



DC CONVERTER



CUSTOM LENGTH AVAILABLE

Flexible frame length from 50mm to 700mm in 1mm intervals.

No minimum order quantity and short lead time for small quantity order.



AW SERIES

IP67 FLANGED ALUMINIUM ENCLOSURE



- IP67 and heat dissipation enclosure. Designed with flanged end panels.
- PCB or chassis is mounted by sliding it horizontally into an inner-grooved body frame.
- Designed for a tough environment where waterproof and heat countermeasures are required.
- Suitable for outdoor use such as LED power supply and junction boxes.

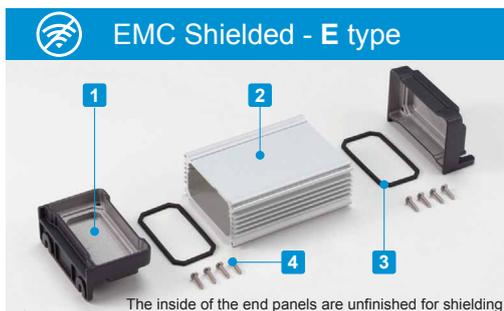
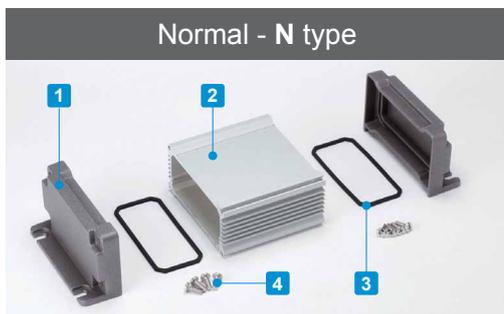
Technical Data
Protection class: IP67
Operating temperature: -40°C ~ +105°C
Recommended torque: 1.0N • m (10kgf • cm)

Normal N type Components

No.	Part name	Pcs	Material	Color / Finish
1	Flanged end panel	2	Diecast aluminium ADC12	Metallic gray • Black / Powder coated
2	Body frame	1	Extruded aluminium A6063S-T5	Silver • Black / Anodized
3	Gasket	2	Silicone	Black
4	Screw	8	Stainless steel	Unfinished

EMC Shielded E type Components

No.	Part name	Pcs	Material	Color / Finish
1	Flanged end panel	2	Diecast aluminium ADC12	Silver • Black / Painted (unfinished inside)
2	Body frame	1	Extruded aluminium A6063S-T5	Silver • Black / Anodized
3	Gasket	2	Silicone	Black
4	Screw	8	Stainless steel	Unfinished



AWN SERIES

IP67 HEAT-SINK ALUMINIUM ENCLOSURE



- IP67 and heat dissipation enclosure design. Selectable in both Normal or EMC Shielded type.
- The extruded aluminium frame and diecast aluminium panels makes it extremely suitable to be used in harsh environments where waterproofing and heat dissipation is essential.
- PCB or chassis can be mounted by sliding it horizontally into inner-grooved body frame.
- Suitable for measuring instruments, industrial control box, and industrial camera housing, among others.

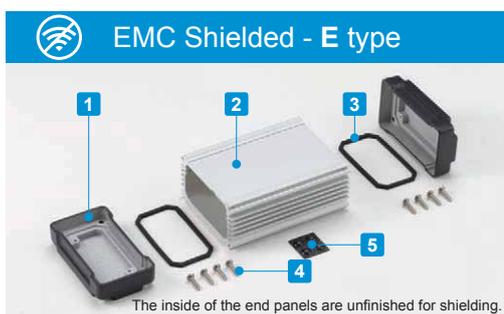
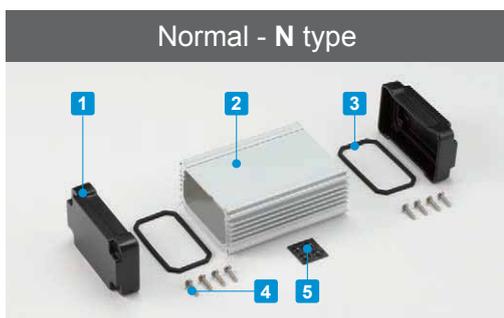
Technical Data
Protection class: IP67
Operating temperature: -40°C ~ +105°C
Recommended torque: 1.0N · m (10kgf · cm)

Normal N type Components

No.	Part name	Pcs	Material	Color / Finish
1	End Panel	2	Diecast aluminium ADC12	Metallic gray • Black / Powder coated
2	Body frame	1	Extruded aluminium A6063S-T5	Silver • Black / Anodized
3	Gasket	2	Silicone	Black
4	Screw	8	Stainless steel	Unfinished
5	Rubber feet	4	Polyurethane	Black

EMC Shielded E type Components

No.	Part name	Pcs	Material	Color / Finish
1	End Panel	2	Diecast aluminium ADC12	Silver • Black / Painted (unfinished inside)
2	Body frame	1	Extruded aluminium A6063S-T5	Silver • Black / Anodized
3	Gasket	2	Silicone	Black
4	Screw	8	Stainless steel	Unfinished
5	Rubber feet	4	Polyurethane	Black

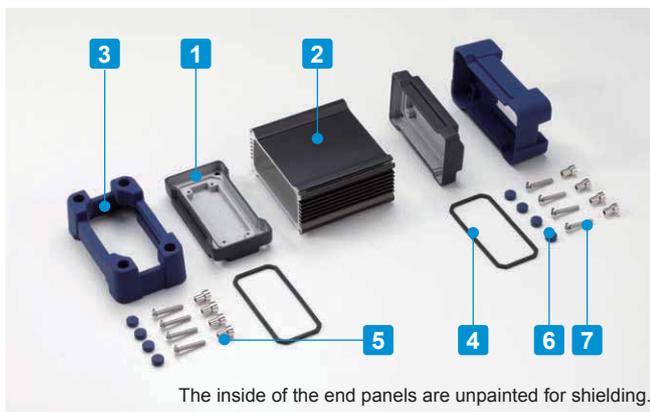


AWP SERIES

IP67 ALUMINIUM ENCLOSURE with SILICONE PROTECTOR



Technical Data
Protection class: IP67
Operating temperature: -40°C ~ +105°C
Recommended torque: 1.0N • m (10kgf • cm)



- Strong impact resistant enclosure with tough silicone boot protectors.
- Specifically designed with heat dissipation effect, EMC shielding and IP67 rating.
- PCB or chassis can be horizontally mounted by sliding into an inner-grooved body frame.
- Available in 30 sizes and 8 different color combinations. Selectable from a total of 240 different combinations.
- Suitable for measuring instruments, industrial control box, industrial camera housing, etc.

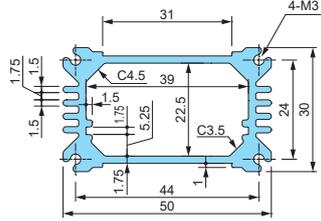
Components

No.	Part name	Pcs	Material	Color / Finish
1	End panel	2	Diecast aluminium ADC12	Silver • Black / Painted (unfinished inside)
2	Body frame	1	Extruded aluminium A6063S-T5	Silver • Black / Anodized
3	Protector	2	Silicone	Black • Gray • Navy • Yellow
4	Conductive gasket	2	Conductive silicone	Black
5	Spacer	8	Brass	Nickel plated
6	Blind cap	8	Silicone	Black • Gray • Navy • Yellow
7	Screw	8	Stainless steel	Unfinished

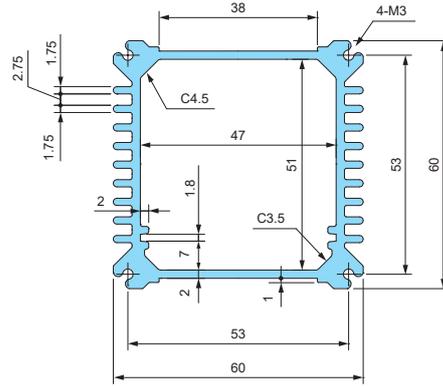
AW • AWN • AWP • AWA frame

■ Drawings below are reference examples only.
DXF/DWG/PDF drawings available on our website.

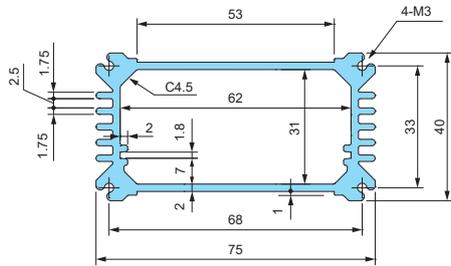
AW/AWN5-4-□
AWA5-3-□



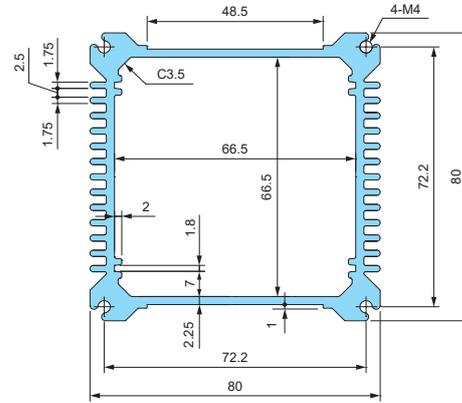
AW/AWN/AWP7-7-□
AWA6-6-□



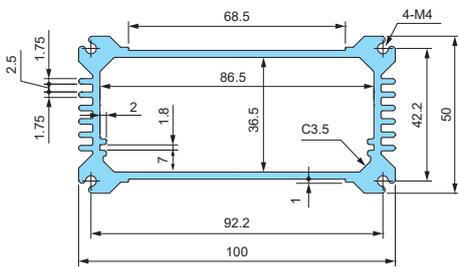
AW/AWN/AWP8-5-□
AWA8-4-□



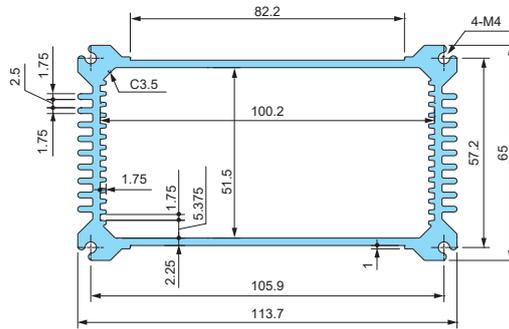
AW/AWN/AWP9-9-□
AWA8-8-□



AW/AWN/AWP11-6-□
AWA10-5-□

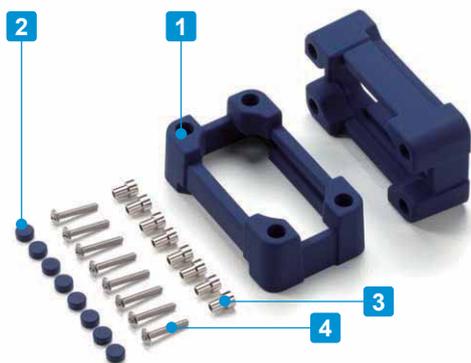


AW/AWN/AWP12-8-□
AWA12-7-□



AWSP SERIES

SILICONE PROTECTOR

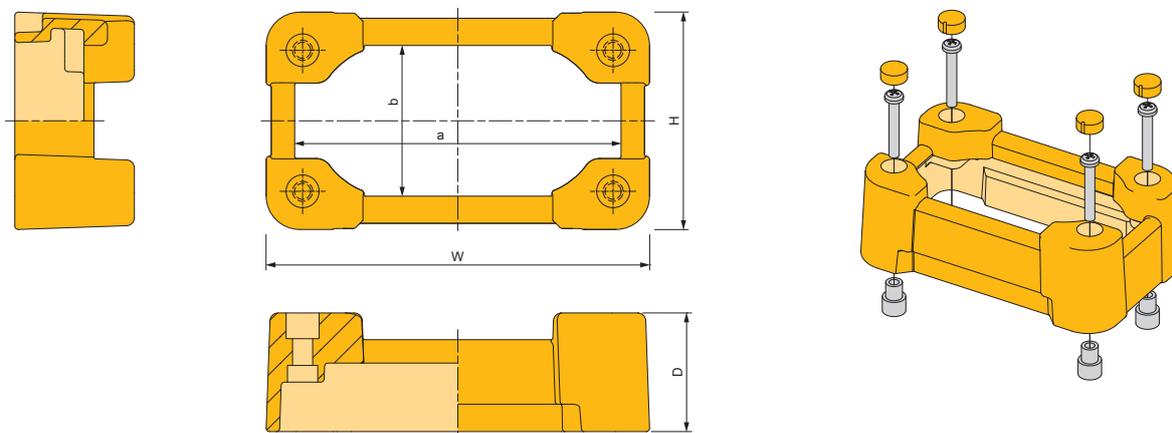


Color Type

Code	B Black	G Gray	N Navy	Y Yellow
Color				

- Silicone protector for AWN series.
- Protect switches and/or connectors on end panels from impact when dropped, etc.

AWSP dimensions



Components

No.	Part name	Pcs	Material	Color / Finish
1	Protector	2	Silicone	Black • Gray • Navy • Yellow
2	Blind cap	8	Silicone	Black • Gray • Navy • Yellow
3	Spacer	8	Brass	Nickel plated
4	Screw	8	Stainless steel	Unfinished

Product no. / Dimensions

■ Please suffix color code at the end of the product number.

Product no.	W	H	D	a	b	Screw size	Suitable enclosure	Weight (g)
AWSP 7-7□	72.4	73.6	31	58.4	56.6	M3	AWN 7-7-□	99
AWSP 8-5□	87.4	53.6	31	73.4	36.6	M3	AWN 8-5-□	100.5
AWSP 9-9□	93.9	95.1	35.5	76.9	75.1	M4	AWN 9-9-□	184.5
AWSP11-6□	113.9	65.1	35.5	96.9	45.1	M4	AWN11-6-□	186
AWSP12-8□	127.6	80.1	35.5	110.6	60.1	M4	AWN12-8-□	201
AWSP16-9□	163.9	90.1	35.5	145.9	69.1	M4	AWN16-9-□	235
AWSP21-9□	213.9	90.1	39.5	192.9	66.1	M5	AWN21-9-□	333



EMC
Shielding
Effects

IP67



Technical Data
Protection class : IP67
Operating temperature : -40°C ~ +105°C
Recommended torque : 1N • m

Silicone gasket (waterproof)
Stainless steel mesh gasket (EMC Shielding)

- A double gasket construction allows both IP67 protection and EMC shielding to be possible.
- 13 different sizes available with 2 different finish types.
- Suitable for CATV terminal, fiber optic transmitter, FA controller, and so on.
- Available in powder coated model and unfinished model.

APPLICATION EXAMPLE

CATV OPTICAL NODE



LPWA OUTDOOR GATEWAY



WIFI ACCESS POINT

Accessories (Optional parts)



Mounting bracket HQF series
See page HQ-7



Pole Mounting bracket SSK series
See page SSK-M-1 ~ SSK-M-3



Mounting plate HQP series
See page HQ-8



Mounting screw MT series
See page HQ-7



Cable gland
See cable gland pages



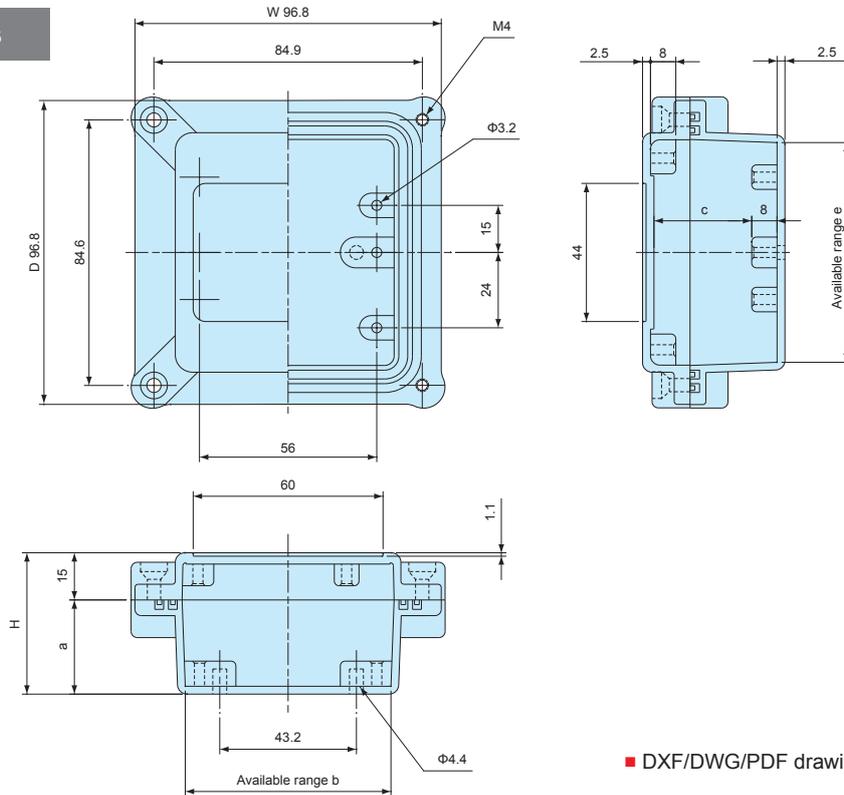
Protective vent PMF series
See PMF pages

Product no. / Dimensions

Product no.		Dimensions			Weight (g)
● Light gray	○ Unfinished	W	D	H	
HQ10-10- 5G	HQ10-10- 5N	96.3	96.8	45	302
HQ10-10- 7G	HQ10-10- 7N	96.8	96.8	67	335
HQ15-10- 5G	HQ15-10- 5N	150	100	50	442
HQ15-10- 8G	HQ15-10- 8N	150	99.5	75	494
HQ16-16- 6G	HQ16-16- 6N	162	162	55	626
HQ16-16- 8G	HQ16-16- 8N	162	162	80	715
HQ19-10- 5G	HQ19-10- 5N	192	96	45	507
HQ19-10- 7G	HQ19-10- 7N	192	96	67	590
HQ20-15- 5G	HQ20-15- 5N	200	150	50	753
HQ20-15- 8G	HQ20-15- 8N	200	150	75	849
HQ26-18- 6G	HQ26-18- 6N	262	181.5	55	961
HQ27-17- 7G	HQ27-17- 7N	274.2	173.2	66	1,129
HQ27-17-10G	HQ27-17-10N	274.2	172.7	100	1,287

HQ dimensions

HQ10-10-5
HQ10-10-7



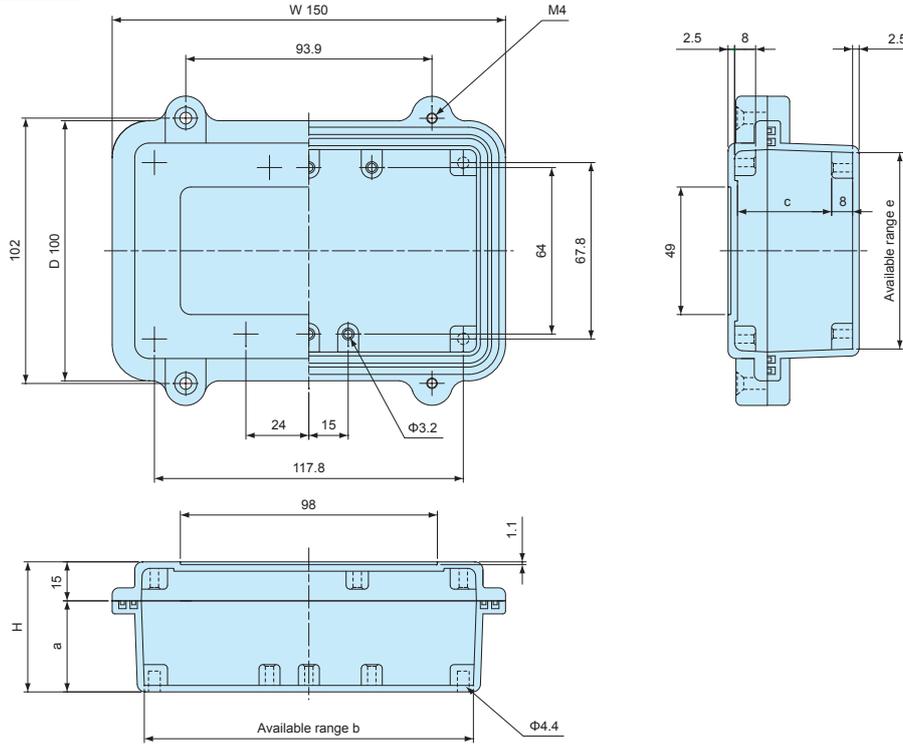
■ DXF/DWG/PDF drawings available on our website.

Product no.	W	D	H	a	b	c	e
HQ10-10- 5	96.3	96.8	45	30	64	30.9	69
HQ10-10- 7	96.8	96.8	67	52	64	52.9	69

HQ dimensions

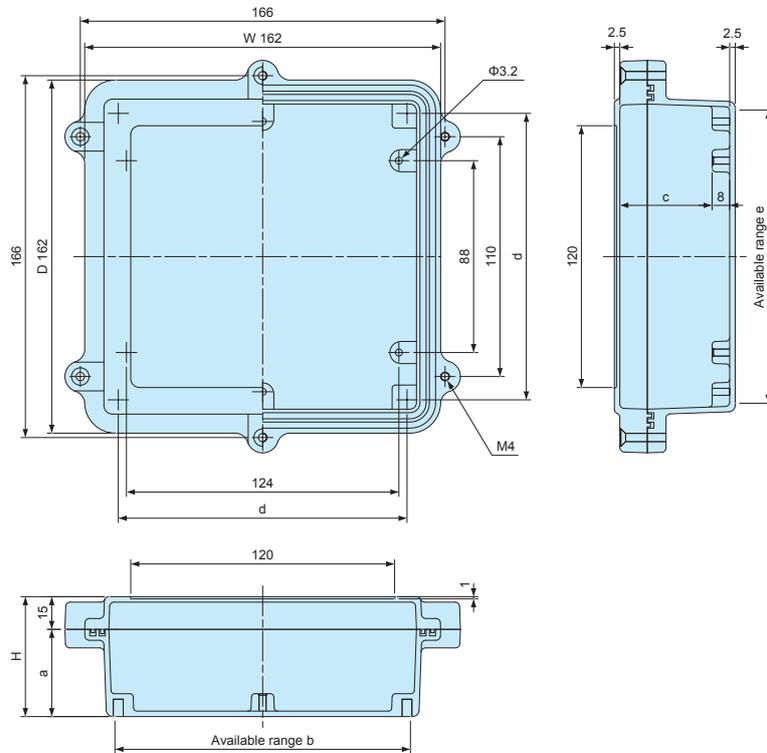
■ DXF/DWG/PDF drawings available on our website.

HQ15-10-5
HQ15-10-8



Product no.	W	D	H	a	b	c	e
HQ15-10- 5	150	100	50	35	125.5	35.9	75.5
HQ15-10- 8	150	99.5	75	60	123.7	60.9	73.7

HQ16-16-6
HQ16-16-8

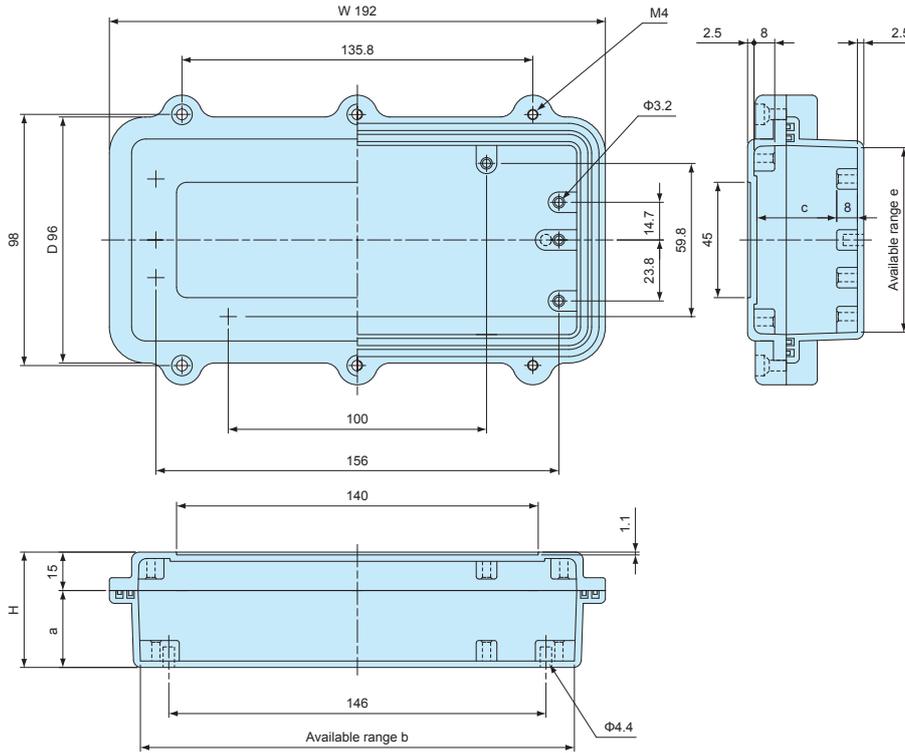


Product no.	W	D	H	a	b	c	d	e
HQ16-16- 6	162	162	55	40	134.5	42	131.41	134.5
HQ16-16- 8	162	162	80	65	132.7	67	129.66	132.7

HQ dimensions

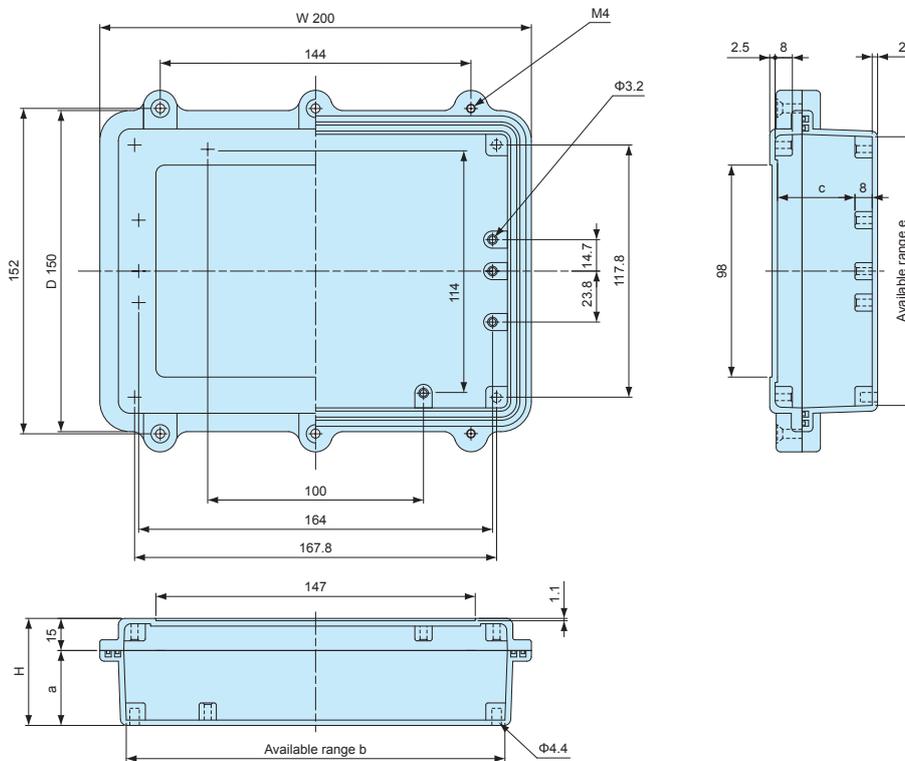
■ DXF/DWG/PDF drawings available on our website.

HQ19-10-5
HQ19-10-7



Product no.	W	D	H	a	b	c	e
HQ19-10- 5	192	96	45	30	168	30.9	72
HQ19-10- 7	192	96	67	52	166.6	52.9	70.6

HQ20-15-5
HQ20-15-8

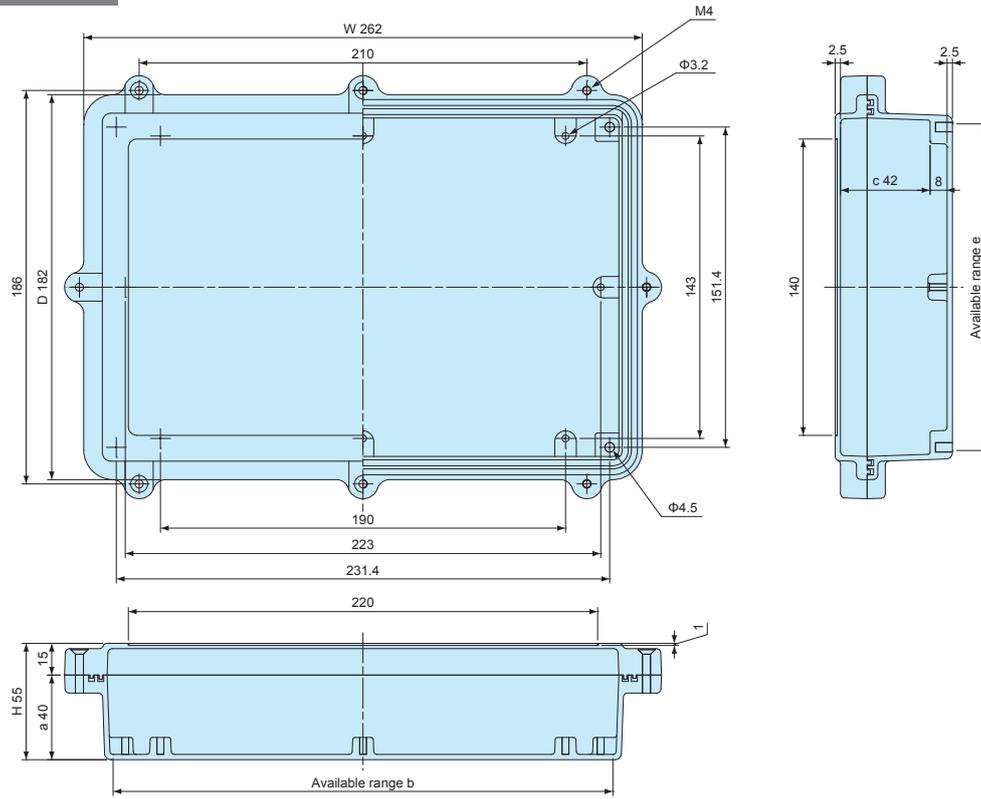


Product no.	W	D	H	a	b	c	e
HQ20-15- 5	200	150	50	35	175.5	35.9	125.5
HQ20-15- 8	200	150	75	60	173.7	60.9	123.7

HQ dimensions

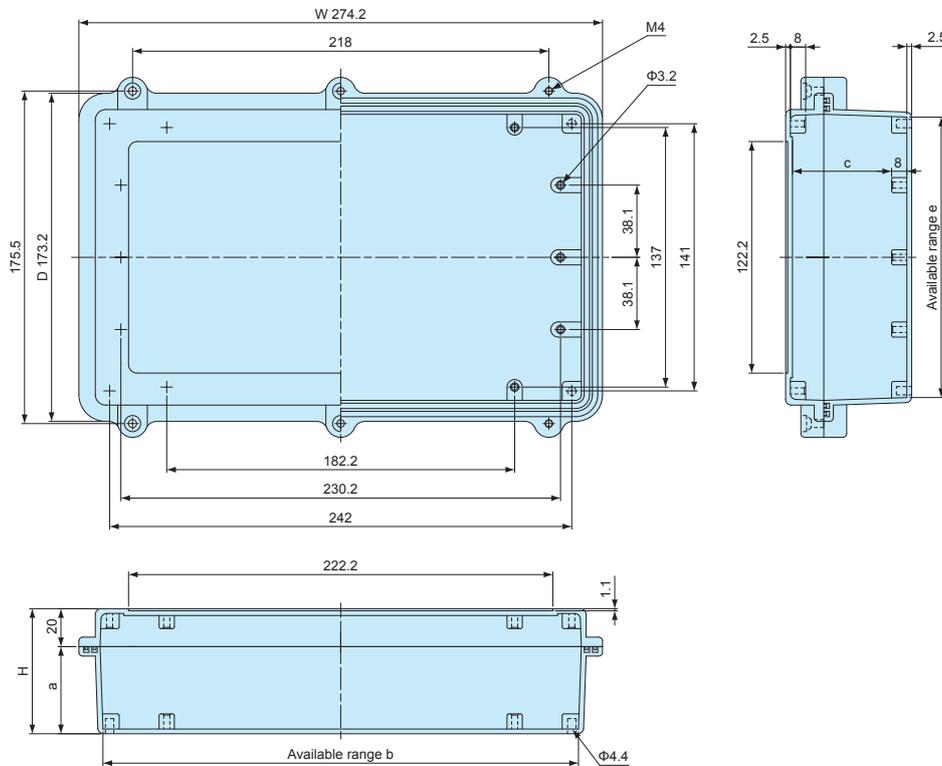
■ DXF/DWG/PDF drawings available on our website.

HQ26-18-6



Product no.	W	D	H	a	b	c	e
HQ26-18- 6	262	181.5	55	40	234.4	42	154.4

HQ27-17- 7
HQ27-17-10



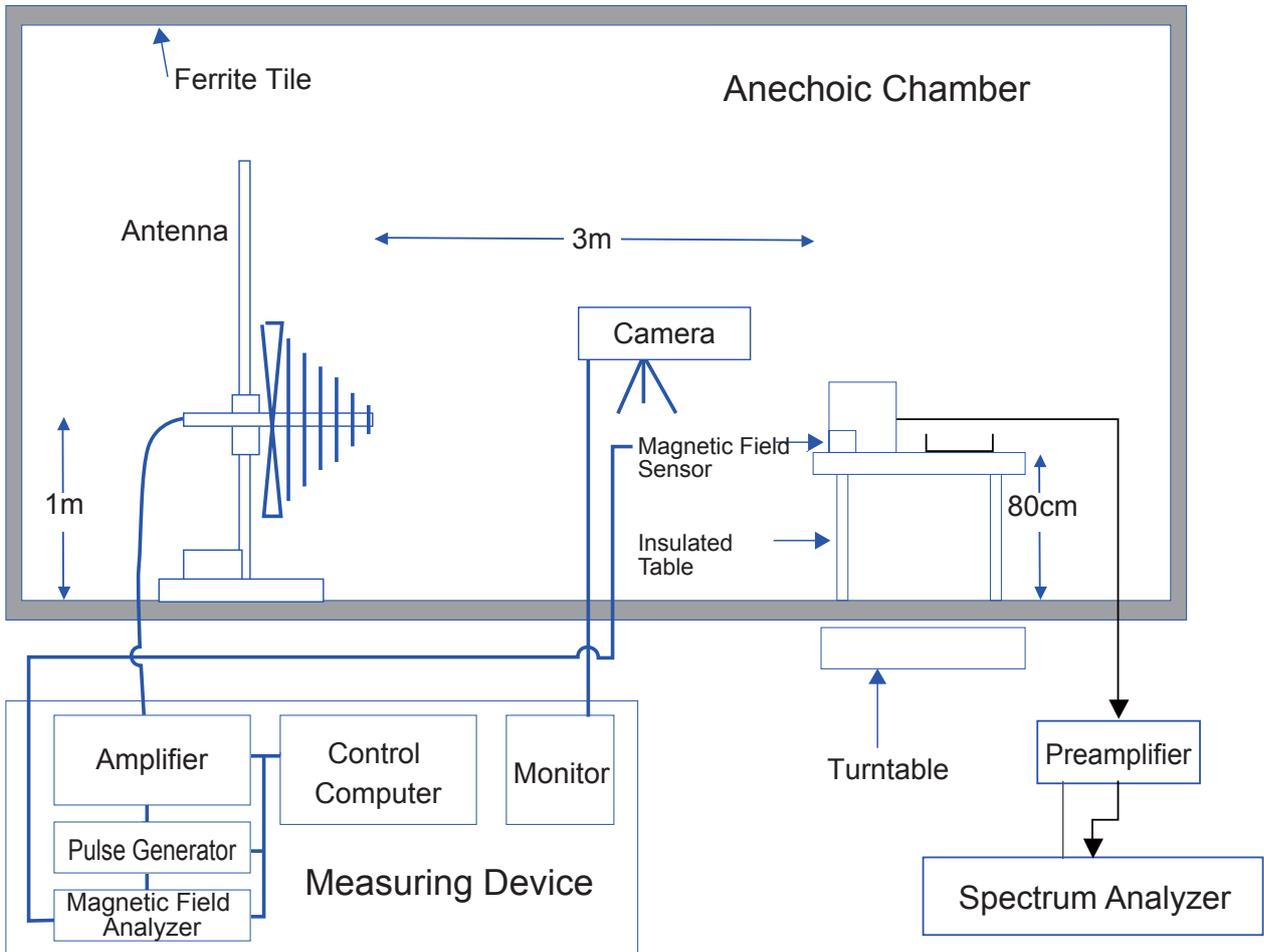
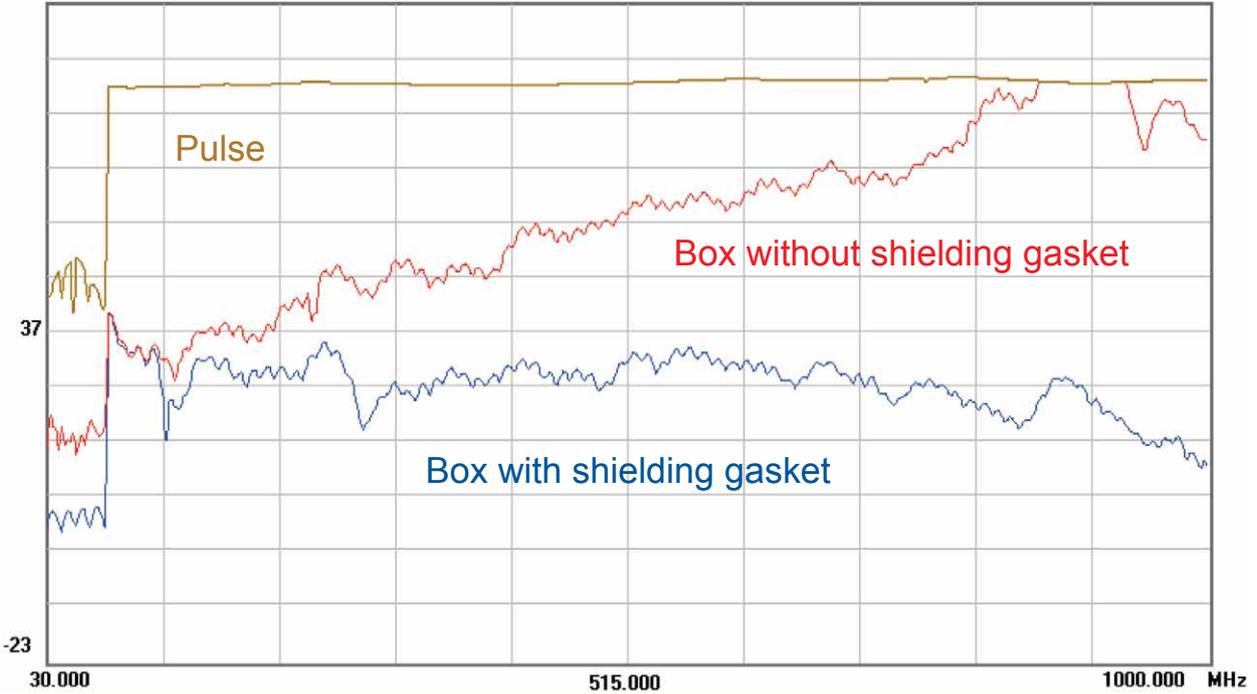
Product no.	W	D	H	a	b	c	e
HQ27-17- 7	274.2	173.2	66	46	249	51.9	148
HQ27-17-10	274.2	172.7	100	80	249	85.9	148

EMI SHIELDING TEST DATA

Test Result
by Gestek

97.0 dBuV/m

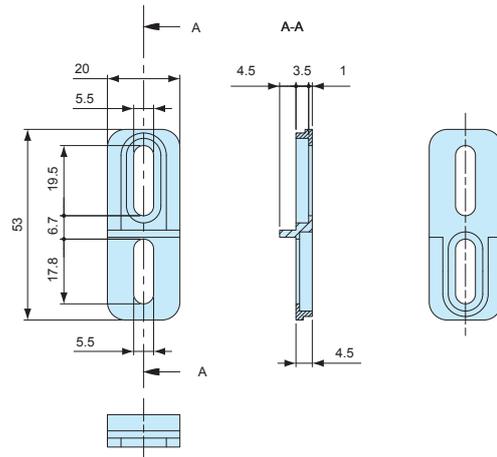
Date : 2007/12/20



HQF SERIES

MOUNTING BRACKET for HQ

■ DXF/DWG/PDF drawings available on our website.



Components

Part name	Pcs	Material	Color / Finish
Mounting bracket	4	Diecast aluminium ADC12	Powder coated • Unfinished
Screw	4	Stainless steel	Unfinished

Product no. / Feature

Product no.	Color / Finish	Suitable box	Pack of
HQF-1G	Light gray / Powder coated	HQ all models	4
HQF-1N	Unfinished	HQ all models	4

MT SERIES

MOUNTING SCREW for HQ

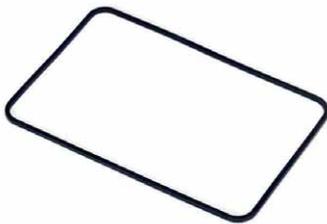


Product no. / Feature

Product no.	Material	Color / Finish	Pack of
MT3.5-8K	Steel	Trivalent chromate	4

HQG SERIES

WATERPROOF GASKET for HQ



Product no. / Suitable box

Product no.	Suitable box
HQG1010	HQ10-10-□
HQG1510	HQ15-10-□
HQG1616	HQ16-16-□
HQG1910	HQ19-10-□
HQG2015	HQ20-15-□
HQG2618	HQ26-18-□
HQG2717	HQ27-17-□

■ Material : Silicone

HQE SERIES

SHIELDING GASKET for HQ



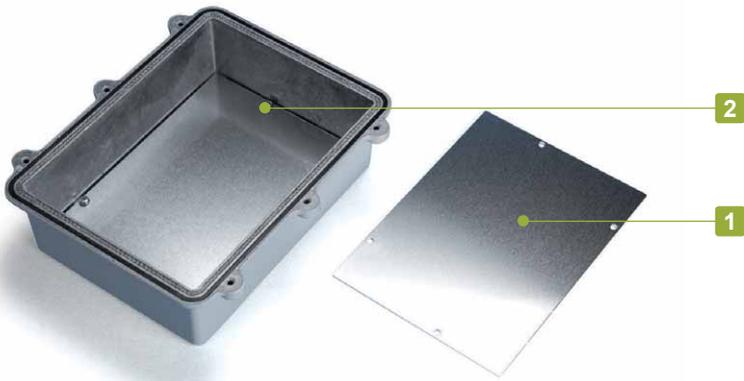
EMC Shielding Effects



Product no. / Suitable box

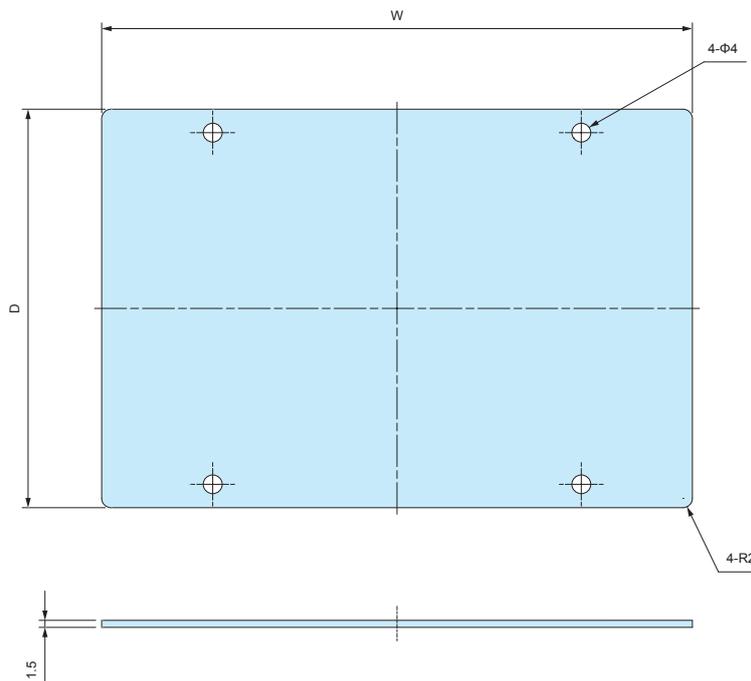
Product no.	Suitable box
HQE1010	HQ10-10-□
HQE1510	HQ15-10-□
HQE1616	HQ16-16-□
HQE1910	HQ19-10-□
HQE2015	HQ20-15-□
HQE2618	HQ26-18-□
HQE2717	HQ27-17-□

■ Material : Stainless steel • Silicone (White)

HQP SERIES**MOUNTING PLATE for HQ****Components**

No.	Part name	Pcs	Material	Color / Finish
1	Mounting plate	1	Aluminium A1050P t = 1.5	Unfinished
2	Screw (MT3.5-8K)	4	Steel	Trivalent chromate

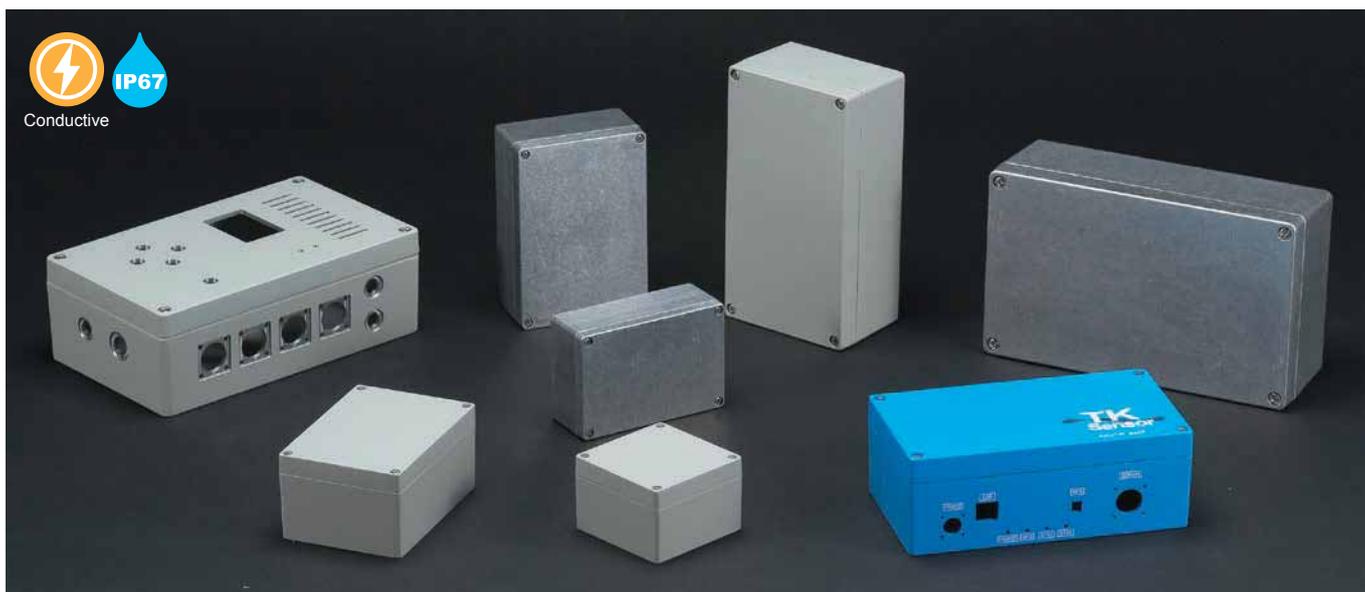
■ Drawings below are reference examples only.
DXF/DWG/PDF drawings available on our website.

**Product no. / Dimensions**

Product no.	W	D	Suitable box
HQP10-10	63	68	HQ10-10-5 • HQ10-10-7
HQP15-10	122	72	HQ15-10-5 • HQ15-10-8
HQP16-16	132	132	HQ16-16-6 • HQ16-16-8
HQP19-10	166	70	HQ19-10-5 • HQ19-10-7
HQP20-15	172	122	HQ20-15-5 • HQ20-15-8
HQP26-18	235	155	HQ26-18-6
HQP27-17	248	147	HQ27-17-7 • HQ27-17-10

BDN SERIES

IP67 DIECAST ALUMINIUM BOX



Technical Data
Protection class: IP67
Operating temperature: -40°C ~ +105°C
Recommended torque: 1.0N • m (10kgf • cm)

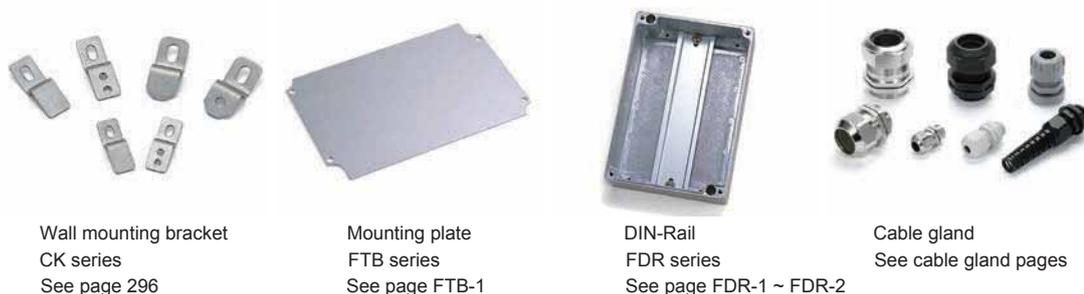


- 8 different sizes available for both light gray powder coated and unfinished models.
- O-ring gasket is good for maintaining both waterproof and dustproof functionality.
- Shock resistant diecast aluminium box.
- Conductivity can be achieved by utilization of the contact between the unfinished inner surfaces (only applicable to "N" type).

Components

No.	Part name	Pcs	Material	Color / Finish
1	Top cover	1	Diecast aluminium ADC12	Light gray • Silver / Powder coated • Unfinished
2	Base	1	Diecast aluminium ADC12	Light gray • Silver / Powder coated • Unfinished
3	O-ring gasket	1	Silicone	Black
4	Screw	4	Stainless steel	Unfinished
5	Earthing screw	2	Steel M4-5	Copper plated

Accessories (Optional parts)



Wall mounting bracket
CK series
See page 296

Mounting plate
FTB series
See page FTB-1

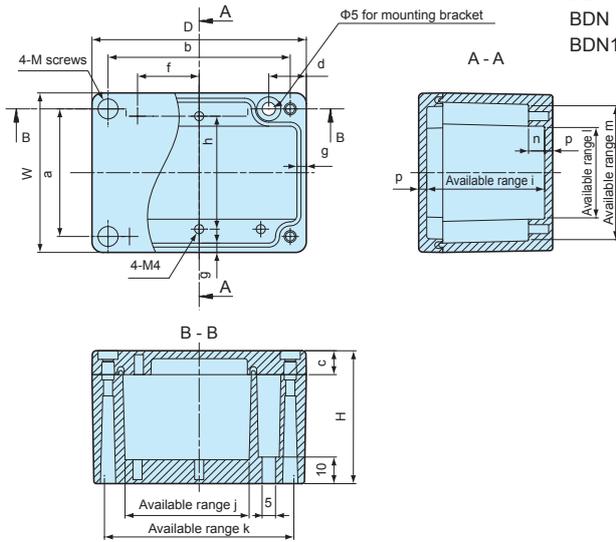
DIN-Rail
FDR series
See page FDR-1 ~ FDR-2

Cable gland
See cable gland pages

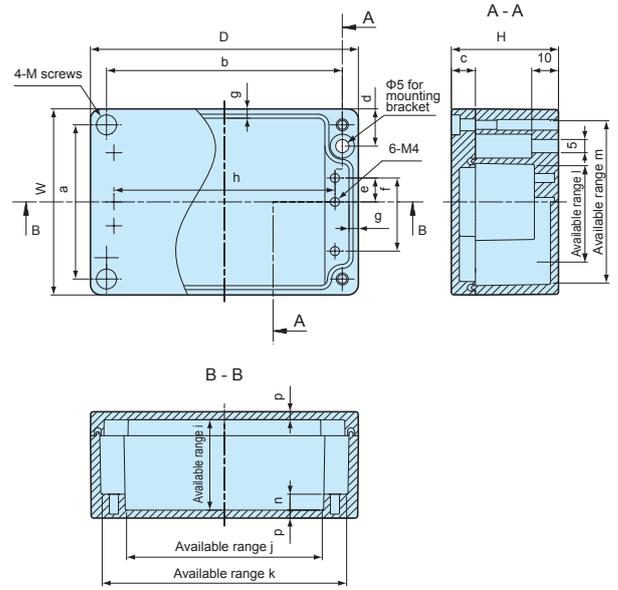
BDN dimensions

DXF/DWG/PDF drawings available on our website.

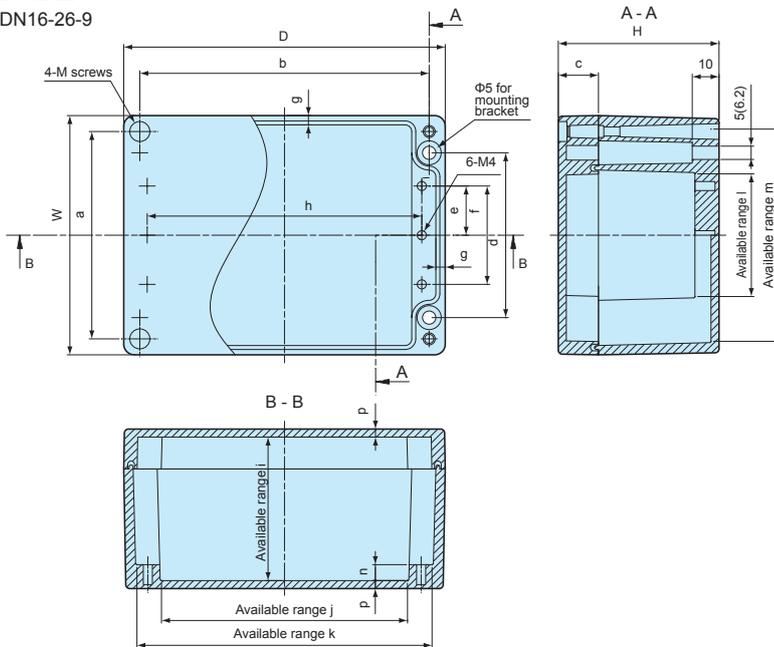
BDN 6-8-5



BDN 7-10-4
BDN 9-13-5
BDN11-16-6



BDN 9- 9-6
BDN10-14-7
BDN12-22-8
BDN16-26-9



Dimension in () = BDN12-22-8
BDN16-26-9

Product no. / Dimensions

Product no.		Dimensions						Weight (g)
● Light gray	● Unfinished Conductive	W	D	H	a	b	c	
BDN 6- 8-5G	BDN 6- 8-5N	60	80	50	48	68	9	240
BDN 7-10-4G	BDN 7-10-4N	70	100	40	58	88	9	250
BDN 9- 9-6G	BDN 9- 9-6N	90	90	60	78	78	15	395
BDN 9-13-5G	BDN 9-13-5N	90	130	50	78	118	9	420
BDN10-14-7G	BDN10-14-7N	100	140	70	88	128	15	635
BDN11-16-6G	BDN11-16-6N	110	160	60	98	148	15	640
BDN12-22-8G	BDN12-22-8N	120	220	80	105	205	20	1,155
BDN16-26-9G	BDN16-26-9N	160	260	90	140	240	20	2,145

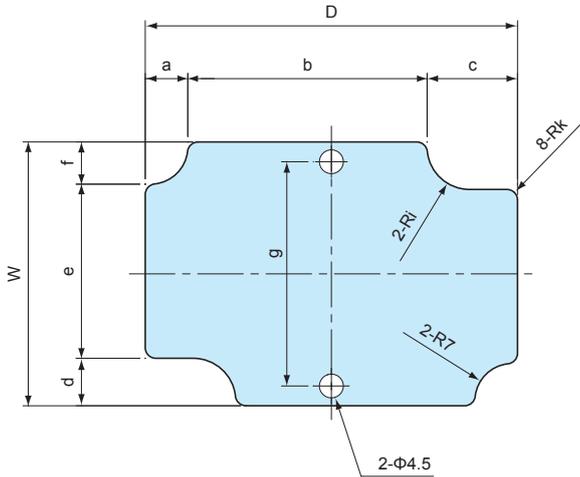
Product no.		Dimensions												
● Light gray	● Unfinished Conductive	d	e	f	g	h	i	j	k	ℓ	m	n	p	M
BDN 6- 8-5G	BDN 6- 8-5N	14	-	23	3.5	42.5	44	45	71	33	51	6	3	M4
BDN 7-10-4G	BDN 7-10-4N	14	11	31	3	85	34	75	92.5	38	62.5	6	3	M4
BDN 9- 9-6G	BDN 9- 9-6N	62	18.5	37	3.5	72	54	62	80	45	80	6	3	M4
BDN 9-13-5G	BDN 9-13-5N	14	19	47.5	3.5	112.5	44	104	121	56	81	6	3	M4
BDN10-14-7G	BDN10-14-7N	72	24	48	3.5	121	64	111	130	56	90	6	3	M4
BDN11-16-6G	BDN11-16-6N	14	29	67.5	3.5	142.5	54	134	151	76	101	6	3	M4
BDN12-22-8G	BDN12-22-8N	84.6	28	56	3.9	196	74	183	206	62	105	6	3	M5
BDN16-26-9G	BDN16-26-9N	110	36	72	4.8	230	82	216	247	87	146	9	4	M6

FTB SERIES

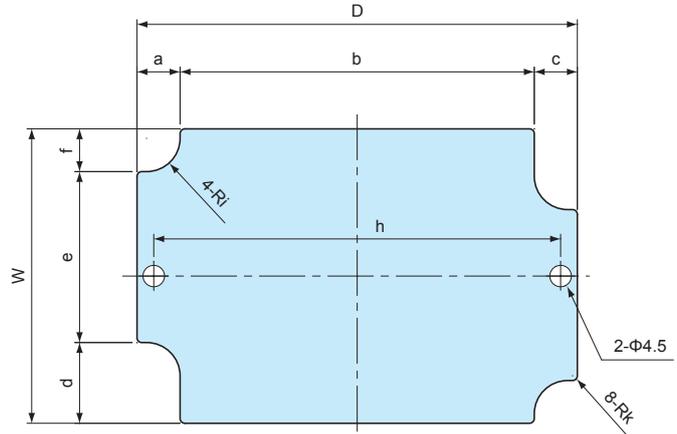
MOUNTING PLATE for BDN



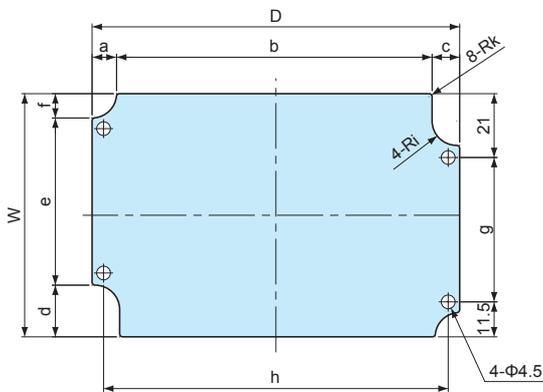
FTB 5-7



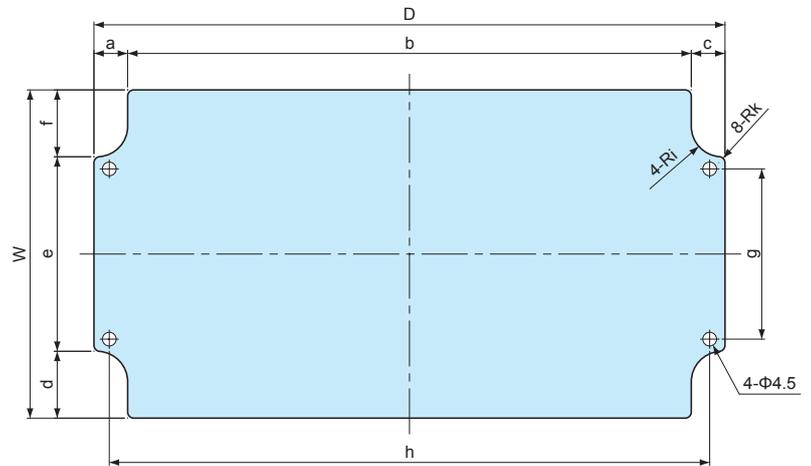
FTB 6-9



FTB 8-12
FTB10-15



FTB 8- 8 FTB10-20
FTB 9-13 FTB14-24



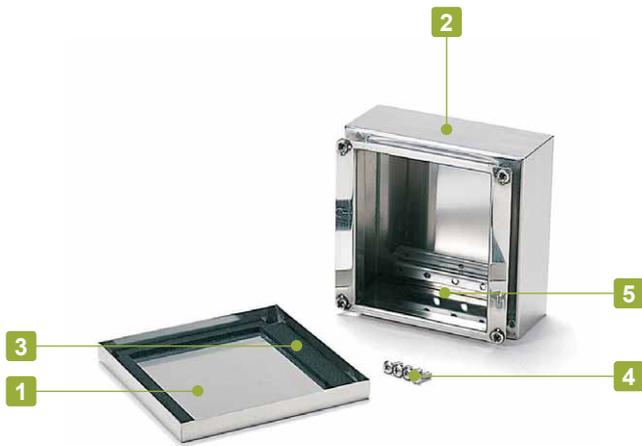
Material	Color / Finish
Aluminium A1050P t = 1.5	Silver / Anodized

Product no. / Dimensions

Product no.	Suitable box	W	D	a	b	c	d	e	f	g	h	i	k
FTB 5- 7	BDN 6- 8-5	50	70	8	45	17	9	33	8	42.5	-	8	2
FTB 6- 9	BDN 7-10-4	62	92	9	74	9	17	36	9	-	85	7	1
FTB 8- 8	BDN 9- 9-6	80	80	9	62	9	17	46	17	37	72.5	8	2
FTB 8-12	BDN 9-13-5	80	120	8	103	9	17	55	8	47.5	112.5	8	1
FTB 9-13	BDN10-14-7	89	129	9	111	9	17	55	17	48	121	8.5	2
FTB10-15	BDN11-16-6	100	150	8	133	9	17	75	8	67.5	142.5	8	1
FTB10-20	BDN12-22-8	108	206	11	184	11	22	64	22	56	196	10	2
FTB14-24	BDN16-26-9	144	244	15	214	15	30	84	30	72	230	12	3


Technical Data

Protection class: IP65
 Operating temperature: -40°C ~ +90°C
 Recommended torque: 2N • m



- IP65 enclosure, cover screw type.
- Made of stainless steel (SUS304) for superior weather and corrosion resistance.
- Conductive box for EMC shielding.
- Polished finish.

Components

No.	Part name	Pcs	Material	Color / Finish
1	Cover	1	Stainless steel SUS304 t = 1.2	Polished finish
2	Body	1	Stainless steel SUS304 t = 1.2	Polished finish
3	Gasket	1	EPDM	Black
4	Screw (M5-12 Truss head)	4	Stainless steel	Unfinished
5	Z-Mounting bracket	2	Stainless steel SUS304 t = 1.5	Unfinished

Accessories (Optional parts)



Mounting plate SSC series
See page SSC • FDR-1



Cable gland
See cable gland pages



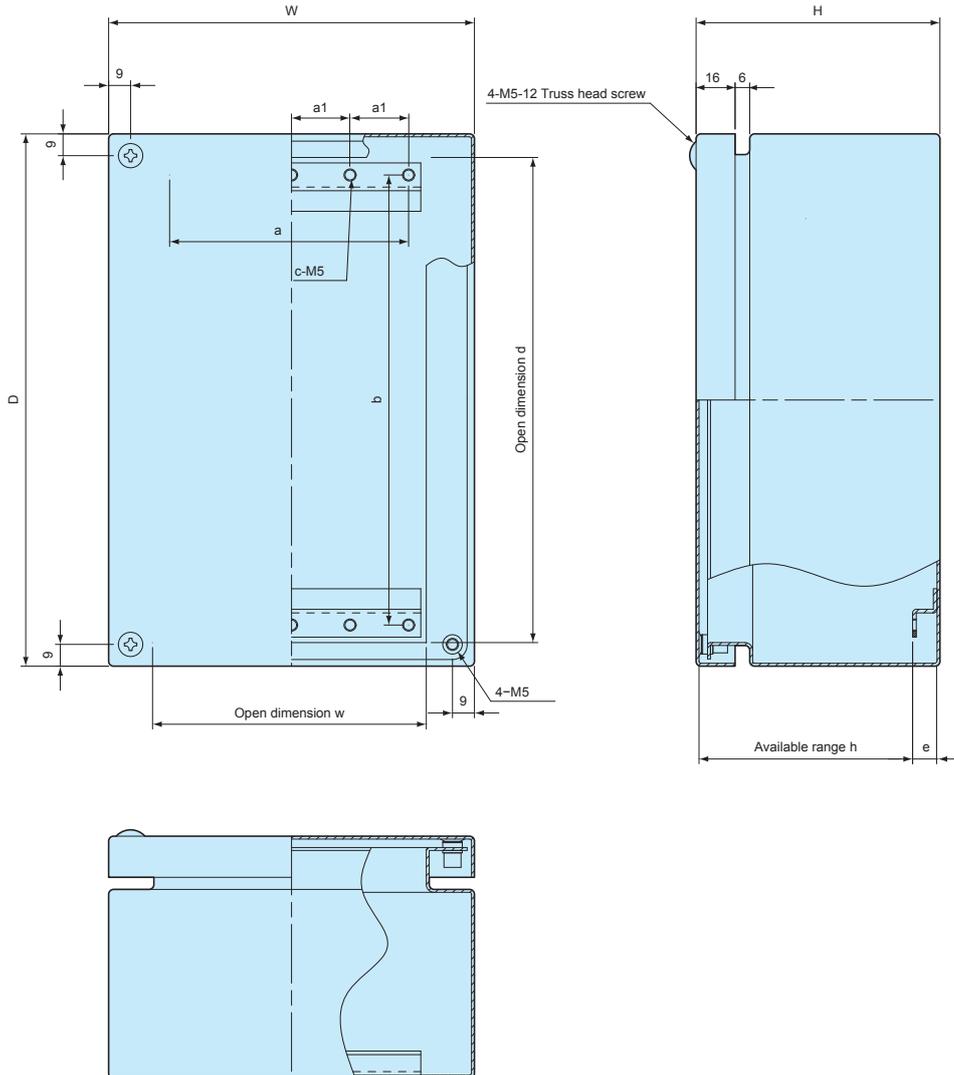
Pole mounting belt PKB series
See page PKB-1



Pole mounting bracket SSK series
See page SSK-M-1 ~ SSK-M-3

SSB dimensions

■ Drawings below are reference examples only.
DXF/DWG/PDF drawings available on our website.



Product no. / Dimensions

Product no.	W	D	H	w	d	h	a	a1	b	c	e	Weight (kg)
SSB121508	120	150	80	80.5	130.5	67.6	66	33	116	6	10	0.9
SSB151508	150	150	80	110.5	130.5	67.6	96	24	116	10	10	1.1
SSB152206	150	220	60	110.5	200.5	51.1	96	24	186	10	6.5	1.3
SSB152210	150	220	100	110.5	200.5	87.6	96	24	186	10	10	1.6
SSB202010	200	200	100	160.5	180.5	87.6	146	36.5	166	10	10	1.8
SSB202806	200	280	60	160.5	260.5	51.1	146	36.5	246	10	6.5	1.9
SSB202812	200	280	120	160.5	260.5	107.6	146	36.5	246	10	10	2.5
SSB223312	220	330	120	180.5	310.5	107.6	166	41.5	296	10	10	2.9
SSB304015	300	400	150	260.5	380.5	137.6	246	61.5	366	10	10	4.7

SSM SERIES

IP65 STAINLESS STEEL BOX - LATCH-HINGED TYPE



Technical Data
Protection class: IP65
Operating temperature: -40°C ~ +90°C

- IP65 enclosure with easy open/close key latch/hinge.
- Made of stainless steel (SUS304) for superior weather and corrosion resistance.
- Conductive box for EMC shielding.
- Polished finish.
- Key latch for tamper-proof purposes.

Components

No.	Part name	Pcs	Material	Color / Finish
1	Cover	1	Stainless steel SUS304 t = 1.2	Polished finish
2	Body	1	Stainless steel SUS304 t = 1.2	Polished finish
3	Hinge	2	Stainless steel SUS304 t = 1.2	Barrel finish
4	Gasket	1	EPDM	Black
5	Latch (with key)	2	Stainless steel SUS304 t = 1.2	Barrel finish
6	Z-Mounting bracket	2	Stainless steel SUS304 t = 1.5	Unfinished
7	Key	2	Steel SPCC	Nickel plated

Accessories (Optional parts)



Mounting plate SSC series
See page SSC • FDR-1



Cable gland
See cable gland pages



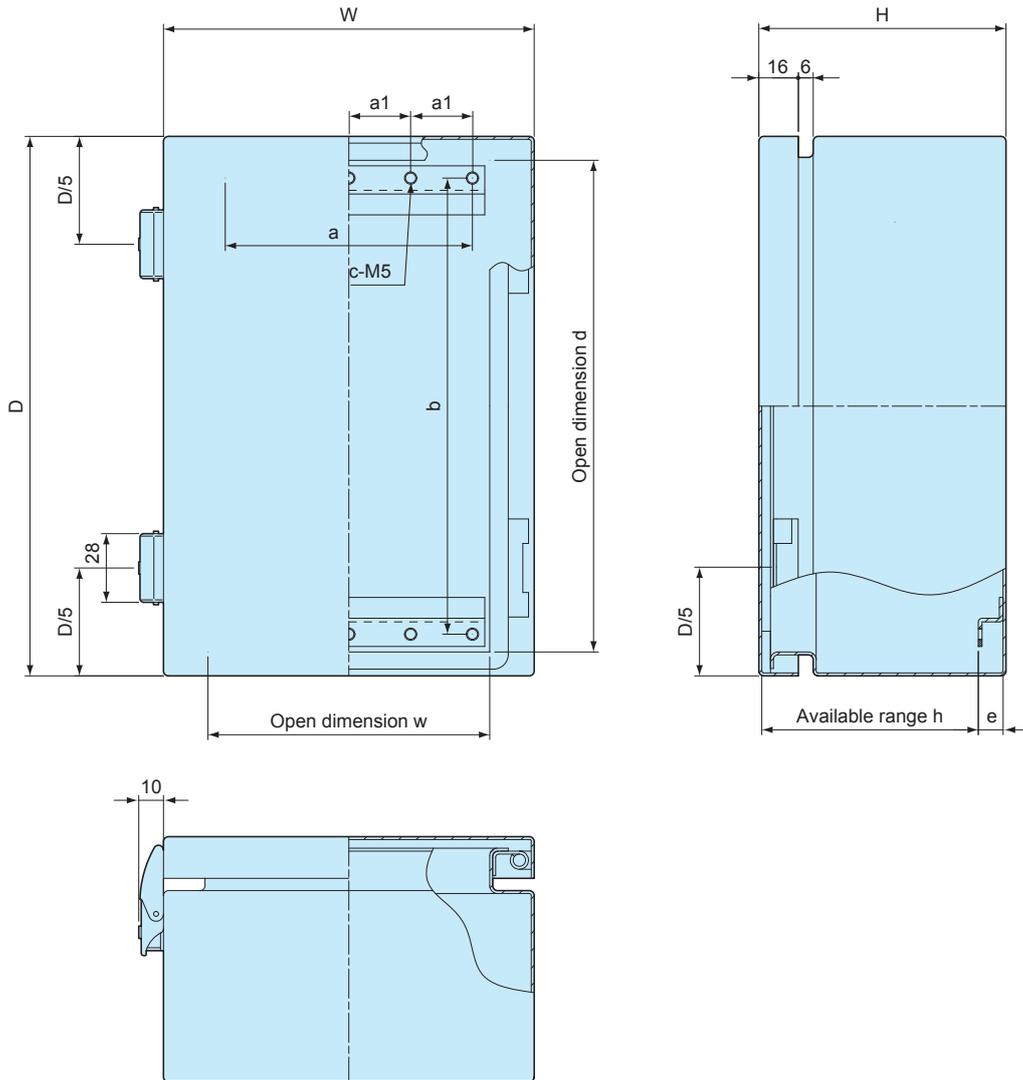
Pole mounting belt PKB series
See page PKB-1



Pole mounting bracket SSK series
See page SSK-M-1 ~ SSK-M-3

SSM dimensions

■ Drawings below are reference examples only.
DXF/DWG/PDF drawings available on our website.



Product no. / Dimensions

Product no.	W	D	H	w	d	h	a	a1	b	c	e	Weight (kg)
SSM121508	120	150	80.5	84	130.5	68.1	66	33	116	6	10	1.0
SSM151508	150	150	80.5	114	130.5	68.1	96	24	116	10	10	1.2
SSM152206	150	220	60.5	114	200.5	51.6	96	24	186	10	6.5	1.4
SSM152210	150	220	100.5	114	200.5	88.1	96	24	186	10	10	1.7
SSM202010	200	200	100.5	164	180.5	88.1	146	36.5	166	10	10	1.9
SSM202806	200	280	60.5	164	260.5	51.6	146	36.5	246	10	6.5	2.0
SSM202812	200	280	120.5	164	260.5	108.1	146	36.5	246	10	10	2.6
SSM223312	220	330	120.5	184	310.5	108.1	166	41.5	296	10	10	3.0
SSM304015	300	400	150.5	264	380.5	138.1	246	61.5	366	10	10	4.8

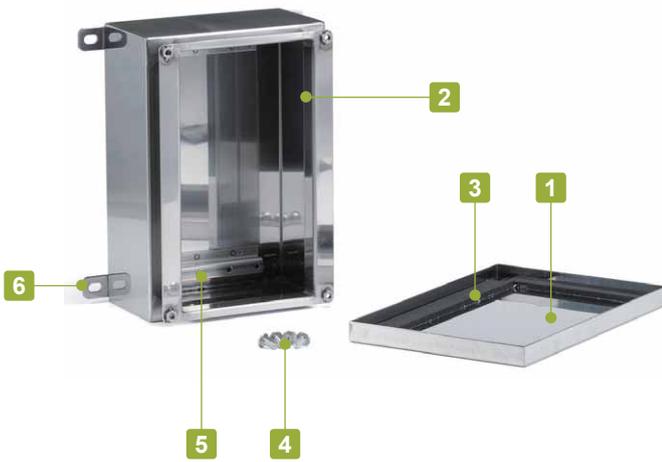
SLB SERIES

IP65 WALL MOUNT STAINLESS STEEL BOX - SCREWED



Technical Data

Protection class: IP65
Operating temperature: -40°C ~ +90°C
Recommended torque : 2N • m



- IP65 wall mount enclosure, cover screw type.
- Made of stainless steel (SUS304) for superior weather and corrosion resistance.
- Conductive box for EMC shielding.
- Polished finish.
- Equipped with wall mounting bracket.

Components

No.	Part name	Pcs	Material	Color / Finish
1	Cover	1	Stainless steel SUS304 t = 1.2	Polished finish
2	Body	1	Stainless steel SUS304 t = 1.2	Polished finish
3	Gasket	1	EPDM	Black
4	Screw (M5-12 Truss head)	4	Stainless steel	Unfinished
5	Z-Mounting bracket	2	Stainless steel SUS304 t = 1.5	Unfinished
6	Wall mount bracket	4	Stainless steel SUS304 t = 2.0	Barrel finish

Accessories (Optional parts)



Mounting plate SSC series
See page SSC • FDR-1



DIN-Rail FDR series
See page SSC • FDR-1



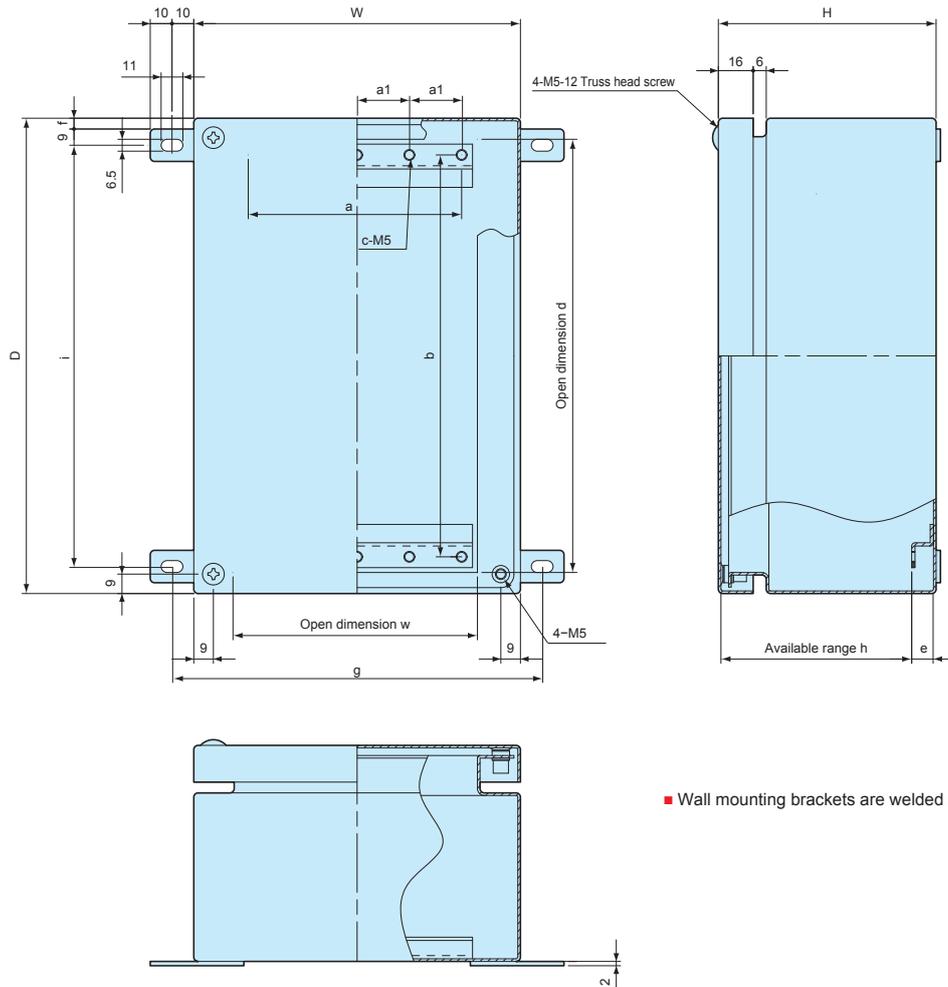
Replacement gasket SSB-G series
See page SSM-G • SSB-G-1



Cable gland
See cable gland pages

SLB dimensions

■ Drawings below are reference examples only.
DXF/DWG/PDF drawings available on our website.



■ Wall mounting brackets are welded on.

Product no. / Dimensions

Product no.	W	D	H	w	d	h	a	a1	b	c	e	f	g	i	Weight (kg)
SLB121508	120	150	80	80.5	130.5	67.6	66	33	116	6	10	3.5	140	125	0.9
SLB151508	150	150	80	110.5	130.5	67.6	96	24	116	10	10	3.5	170	125	1.1
SLB152206	150	220	60	110.5	200.5	51.1	96	24	186	10	6.5	3.5	170	195	1.3
SLB152210	150	220	100	110.5	200.5	87.6	96	24	186	10	10	3.5	170	195	1.6
SLB202010	200	200	100	160.5	180.5	87.6	146	36.5	166	10	10	3.5	220	175	1.8
SLB202806	200	280	60	160.5	260.5	51.1	146	36.5	246	10	6.5	3.5	220	255	1.9
SLB202812	200	280	120	160.5	260.5	107.6	146	36.5	246	10	10	3.5	220	255	2.5
SLB223312	220	330	120	180.5	310.5	107	166	41.5	296	10	10	5	240	302	3.0
SLB304015	300	400	150	260.5	380.5	137	246	61.5	366	10	10	5	320	372	4.8

SLM SERIES

IP65 WALL MOUNT STAINLESS STEEL BOX - LATCH-HINGED



Technical Data
Protection class: IP65
Operating temperature: -40°C ~ +90°C



- IP65 wall mount enclosure with easy open/close key latch/hinge.
- Made of stainless steel (SUS304) for superior weather and corrosion resistance.
- Conductive box for EMC shielding.
- Polished finish.
- Key latch for tamper-proof resistance
- Equipped with wall mounting brackets.

Components

No.	Part name	Pcs	Material	Color / Finish
1	Cover	1	Stainless steel SUS304 t = 1.2	Polished finish
2	Body	1	Stainless steel SUS304 t = 1.2	Polished finish
3	Hinge	2	Stainless steel SUS304 t = 1.2	Barrel finish
4	Gasket	1	EPDM	Black
5	Latch (with key)	2	Stainless steel SUS304 t = 1.2	Barrel finish
6	Z-Mounting bracket	2	Stainless steel SUS304 t = 1.5	Unfinished
7	Key	2	Steel SPCC	Nickel plated
8	Wall mount bracket	4	Stainless steel SUS304 t = 2.0	Barrel finish

Accessories (Optional parts)



Mounting plate SSC series
See page SSC • FDR-1



DIN-Rail FDR series
See page SSC • FDR-1



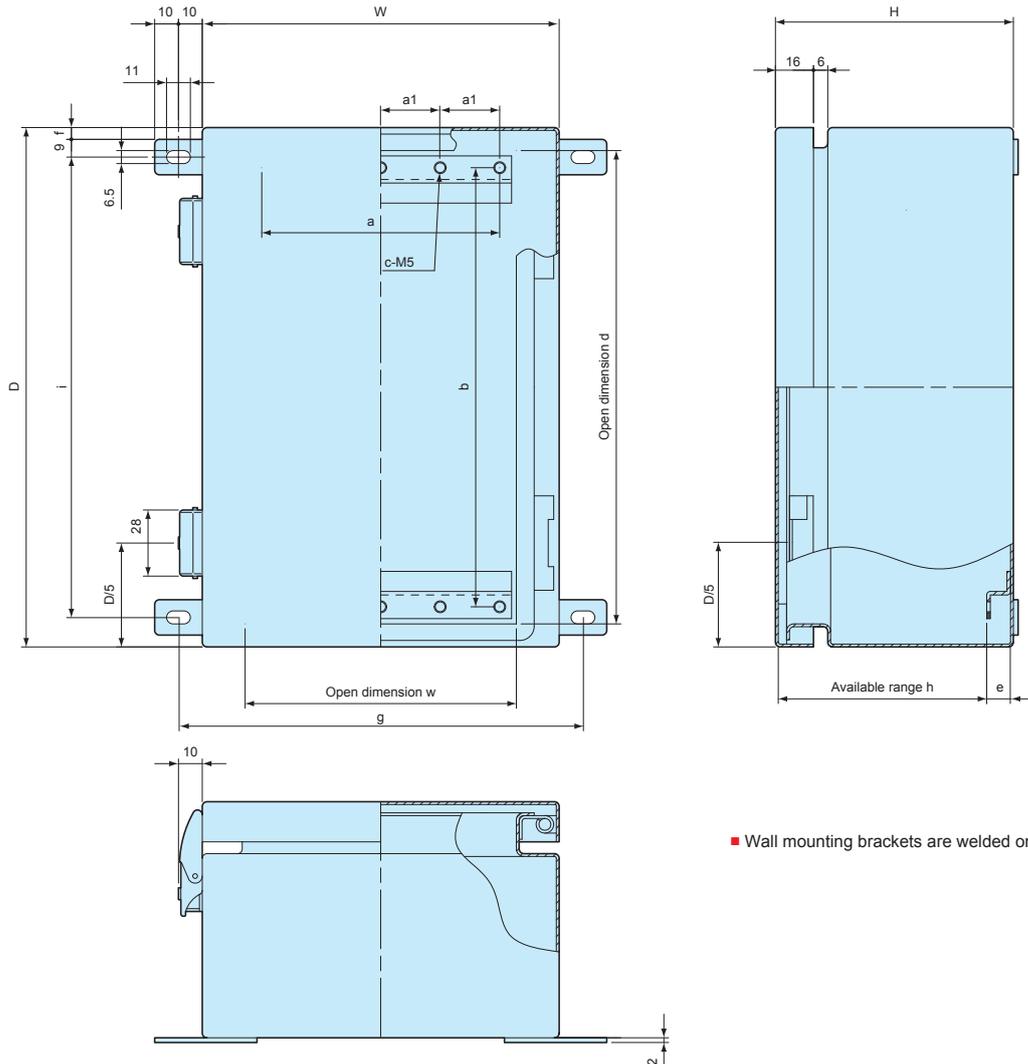
Replacement gasket SSM-G series
See page SSM-G • SSB-G-1



Cable gland
See cable gland pages

SLM dimensions

■ Drawings below are reference examples only.
DXF/DWG/PDF drawings available on our website.



■ Wall mounting brackets are welded on.

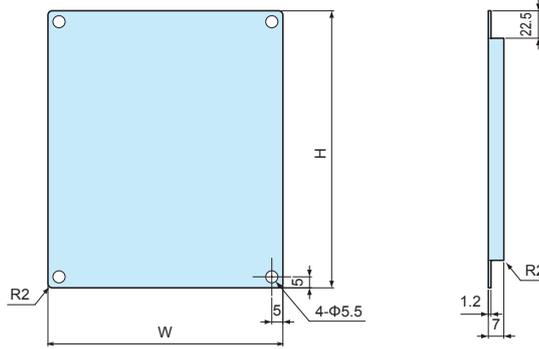
Product no. / Dimensions

Product no.	W	D	H	w	d	h	a	a1	b	c	e	f	g	i	Weight (kg)
SLM121508	120	150	80.5	84	130.5	68.1	66	33	116	6	10	3.5	140	125	1.0
SLM151508	150	150	80.5	114	130.5	68.1	96	24	116	10	10	3.5	170	125	1.2
SLM152206	150	220	60.5	114	200.5	51.6	96	24	186	10	6.5	3.5	170	195	1.4
SLM152210	150	220	100.5	114	200.5	88.1	96	24	186	10	10	3.5	170	195	1.7
SLM202010	200	200	100.5	164	180.5	88.1	146	36.5	166	10	10	3.5	220	175	1.9
SLM202806	200	280	60.5	164	260.5	51.6	146	36.5	246	10	6.5	3.5	220	255	2.0
SLM202812	200	280	120.5	164	260.5	108.1	146	36.5	246	10	10	3.5	220	255	2.6
SLM223312	220	330	120.5	184	310.5	108.1	166	41.5	296	10	10	5	240	302	3.1
SLM304015	300	400	150.5	264	380.5	138.1	246	61.5	366	10	10	5	320	372	4.9

SSC SERIES

MOUNTING PLATE for SSM • SLM • SSB • SLB

■ DXF/DWG/PDF drawings available on our website.



Product no. / Dimensions

Product no.	W	H	Suitable box
SSC1215	76	126	SSM • SLM • SSB • SLB 1215
SSC1515	106	126	SSM • SLM • SSB • SLB 1515
SSC1522	106	196	SSM • SLM • SSB • SLB 1522
SSC2020	156	176	SSM • SLM • SSB • SLB 2020
SSC2028	156	256	SSM • SLM • SSB • SLB 2028
SSC2233	176	306	SSM • SLM • SSB • SLB 2233
SSC3040	256	376	SSM • SLM • SSB • SLB 3040

■ Material / Finish : Steel SECC t = 1.2 / Zinc coated Included screws : M4-8 Pan head with spring washer / Trivalent chromate x 4 pcs

FDR SERIES

DIN-RAIL



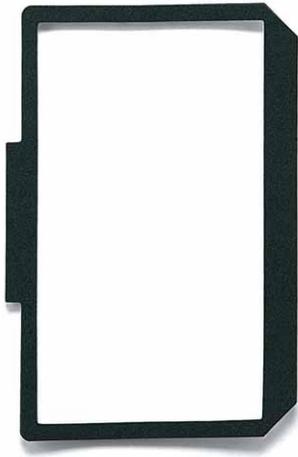
Product no. / Dimensions

Product no.	L	Suitable box
FDR- 128	128	SSM • SLM • SSB • SLB 1215 / 1515
FDR-B176	176	SSM • SLM • SSB • SLB 2020
FDR-B196	196	SSM • SLM • SSB • SLB 1522
FDR-B256	256	SSM • SLM • SSB • SLB 2028
FDR-B303	303	SSM • SLM • SSB • SLB 2233
FDR-B376	376	SSM • SLM • SSB • SLB 3040

■ Material / Finish : Extruded aluminium A6063S-T5 / Silver anodized

SSM-G SERIES

GASKET for SSM • SLM



■ DXF/DWG/PDF drawings available on our website.

Product no. / Dimensions

Product no.	Suitable box
SSM-G1215	SSM • SLM 1215
SSM-G1515	SSM • SLM 1515
SSM-G1522	SSM • SLM 1522
SSM-G2020	SSM • SLM 2020
SSM-G2028	SSM • SLM 2028
SSM-G2233	SSM • SLM 2233
SSM-G3040	SSM • SLM 3040

■ Material : EPDM t = 5.0

SSB-G SERIES

GASKET for SSB • SLB



■ DXF/DWG/PDF drawings available on our website.

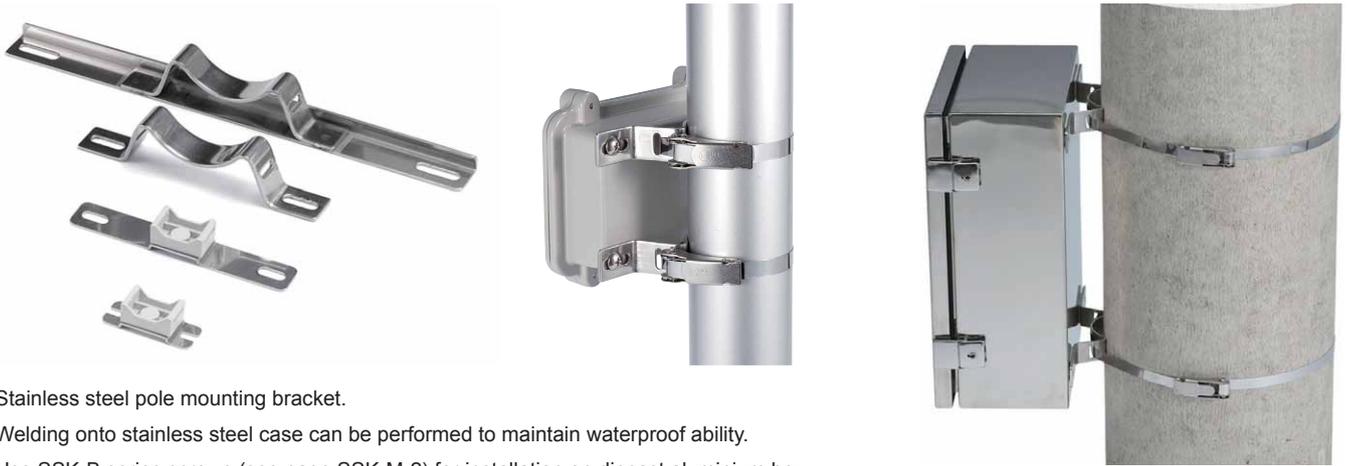
Product no. / Dimensions

Product no.	Suitable box
SSB-G1215	SSB • SLB 1215
SSB-G1515	SSB • SLB 1515
SSB-G1522	SSB • SLB 1522
SSB-G2020	SSB • SLB 2020
SSB-G2028	SSB • SLB 2028
SSB-G2233	SSB • SLB 2233
SSB-G3040	SSB • SLB 3040

■ Material : EPDM t = 5.0

SSK SERIES

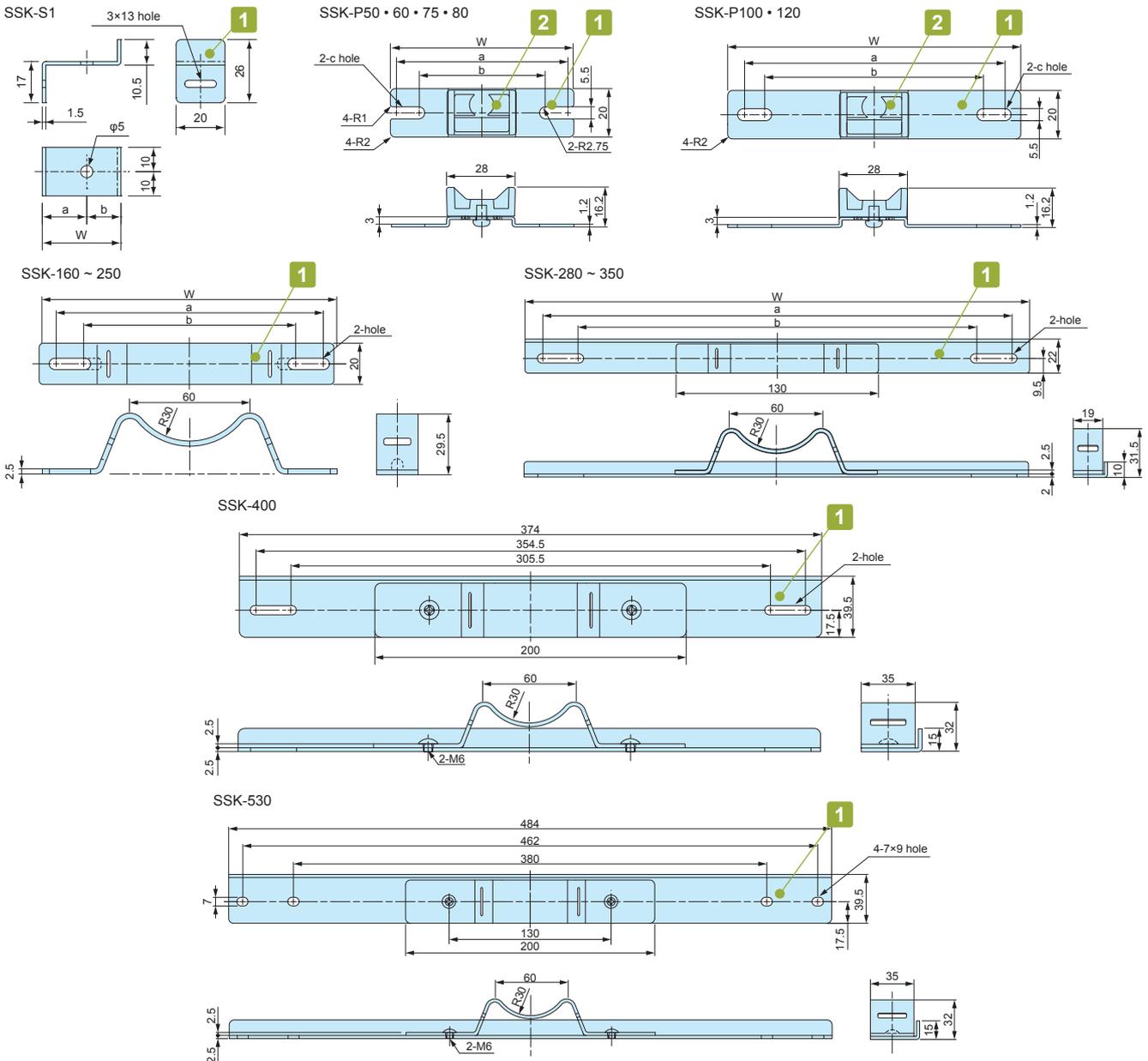
POLE MOUNTING BRACKET



- Stainless steel pole mounting bracket.
- Welding onto stainless steel case can be performed to maintain waterproof ability.
- Use SSK-B series screws (see page SSK-M-2) for installation on diecast aluminium box.
- Use PKB mounting belt (see page PKB-1) for installation onto a pole.

SSK dimensions

■ DXF/DWG/PDF drawings available on our website.



Components

No.	Part name	Pcs	Material	Color / Finish
1	Bracket	2	Stainless steel SUS304	Barrel finish
2	Mounting bracket (SSK-P models only)	2	ASA UL94HB	White gray

Product no. / Dimensions

Product no.	W	a	b	c	Suitable mounting belt	Pack of
SSK-S1	32.25	18.25	14	—	PKB-10PM, 10P, PKB-10S	4
SSK-P50	50	44.5	37.5	5.5× 9	PKB-10PM, 10P, PKB-10S	2
SSK-P60	60	54.5	47.5	5.5× 9	PKB-10PM, 10P, PKB-10S	2
SSK-P75	75	69.5	55.5	5.5×12.5	PKB-10PM, 10P, PKB-10S	2
SSK-P80	80	74.5	64.5	5.5×10.5	PKB-10PM, 10P, PKB-10S	2
SSK-P100	100	88.1	76.5	5.5×11.3	PKB-10PM, 10P, PKB-10S	2
SSK-P120	120	106.5	88.5	5.5×14.5	PKB-10PM, 10P, PKB-10S	2
SSK-160	142	129.5	106.5	—	PKB-10PM, 10P, PKB-10S	2
SSK-170	152	142.3	101	—	PKB-10PM, 10P, PKB-10S	2
SSK-200	174	161.5	112.5	—	PKB-10PM, 10P, PKB-10S	2
SSK-210	192	180.5	131.5	—	PKB-10PM, 10P, PKB-10S	2
SSK-250	230	215.5	166.5	—	PKB-10PM, 10P, PKB-10S	2
SSK-280	260	244.5	195.5	—	PKB-10PM, 10P, PKB-10S	2
SSK-300	280	264.5	215.5	—	PKB-10PM, 10P, PKB-10S	2
SSK-350	324	302.5	253.5	—	PKB-10PM, 10P, PKB-10S	2
SSK-400	374	354.5	305.5	—	PKB-20S	2
SSK-530	484	462	380	7×9	PKB-20S	2

SSK-B SERIES

MOUNTING SCREW SET for SSK

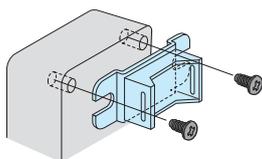
- Mounting screw set for use with SSK pole mounting bracket.
- See below chart for appropriate screw / box combination.
- Material / Finish : Stainless steel / Unfinished.

Product no. / Dimensions

Product no.	Included screws	Suitable box	Pcs
SSK-B4-15N	M4-15 Pan head with nut	AW5-4-7 ~ AW8-5-18	4
SSK-B4-25N	M4-25 Pan head with nut	BDN9-9-6, BDN10-14-7	4
SSK-B5-8T	M5-8 Binding head tapping	HQ series	4
SSK-B5-15N	M5-15 Pan head with nut	AW9-9-10 ~ AW21-9-31	4
SSK-B5-25N	M5-25 Pan head with nut	BDN12-22-8, BDN16-26-9	4

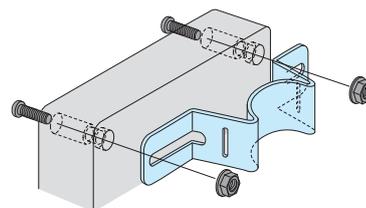
- Installation Example

M5 thread fastening



SSK-B5-8T

M4/M5 Pan head with nut fastening



- SSK-B4-15N SSK-B4-25N
- SSK-B5-15N SSK-B5-25N
- SSK-B5-35N SSK-B6-40N

PKB SERIES

POLE MOUNTING BELT



PKB-10PM, 10P

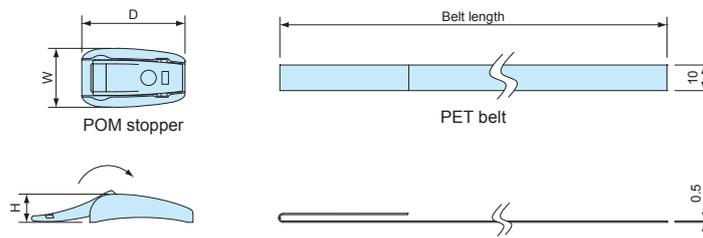


PKB-10S, 20S

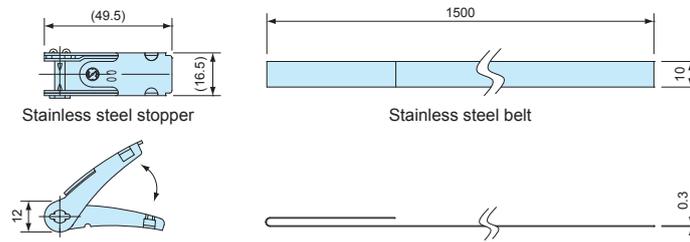
- New shorter belt type PKB-10PM is available for $\phi 25$ to $\phi 60$ mm poles. Other belt types are for $\phi 60$ to $\phi 400$ mm poles.
- Designed for one time use only (not reusable).
- Strong stainless steel clamping type and easy installation plastic type are available.
- Use SSK mounting bracket for installation onto a pole.
- Drawings below are reference examples only. DXF/DWG/PDF drawings available on our website.

PKB dimensions

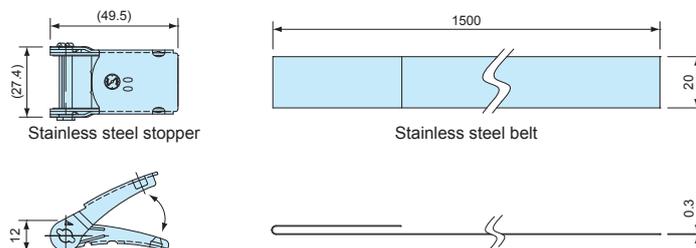
PKB-10PM, 10P



PKB-10S



PKB-20S



Components

Part name	Pcs	Material	Color / Finish
Stopper	2	POM • Stainless steel SUS304	Black • Barrel finish
Belt	2	PET • Stainless steel SUS430	Gray • Bright Annealed finish

Product no. / Dimensions

Product no.	W	D	H	Belt material	Belt length	Tensile strength (horizontal)	Weight (g)	Pack of
NEW PKB-10PM	24	23	11	PET	500mm	0.8kN	14	2
PKB-10P	23	40	11	PET	1,500mm	1.3kN	31.8	2
PKB-10S	—	—	—	Stainless steel	1,500mm	1.4kN	101.6	2
PKB-20S	—	—	—	Stainless steel	1,500mm	2.9kN	182.2	2