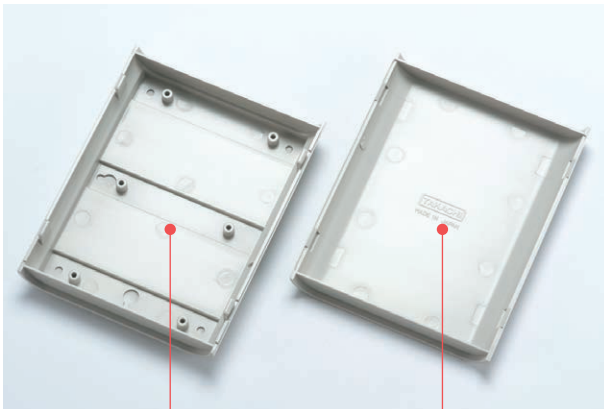




Technical Data

Protection class: IP40
 Operating temperature: -10°C ~ +60°C



2

1

- Rounded shape design.
- Suitable for wall-mount communication device usage.
- Snap on / off cover. No screws are required.

Components

| No. | Part name | Material | Color / Finish |
|-----|-----------|------------|--------------------|
| 1 | Cover | ABS UL94HB | Light gray • White |
| 2 | Base | ABS UL94HB | Light gray • White |

Accessories (Optional parts)



Tapping standoff TPS series
 See page TPS • MT-1

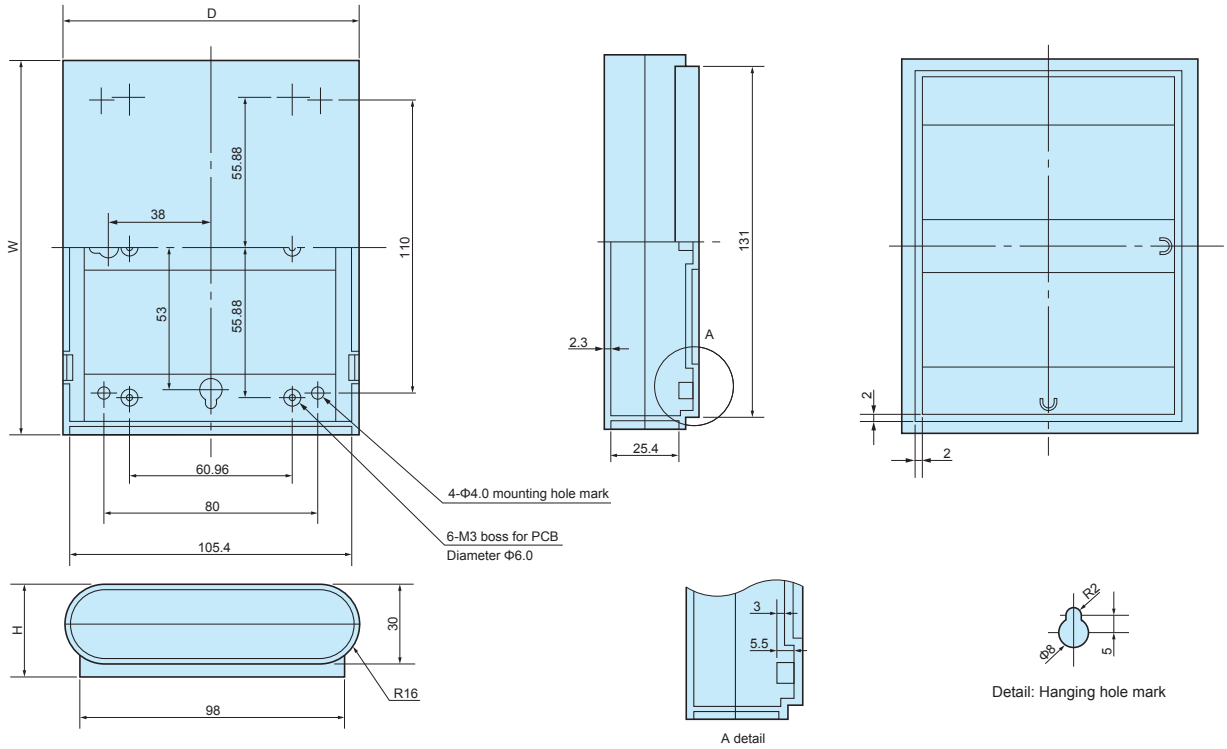


PCB mounting screw EM series
 See page EM • MR-1

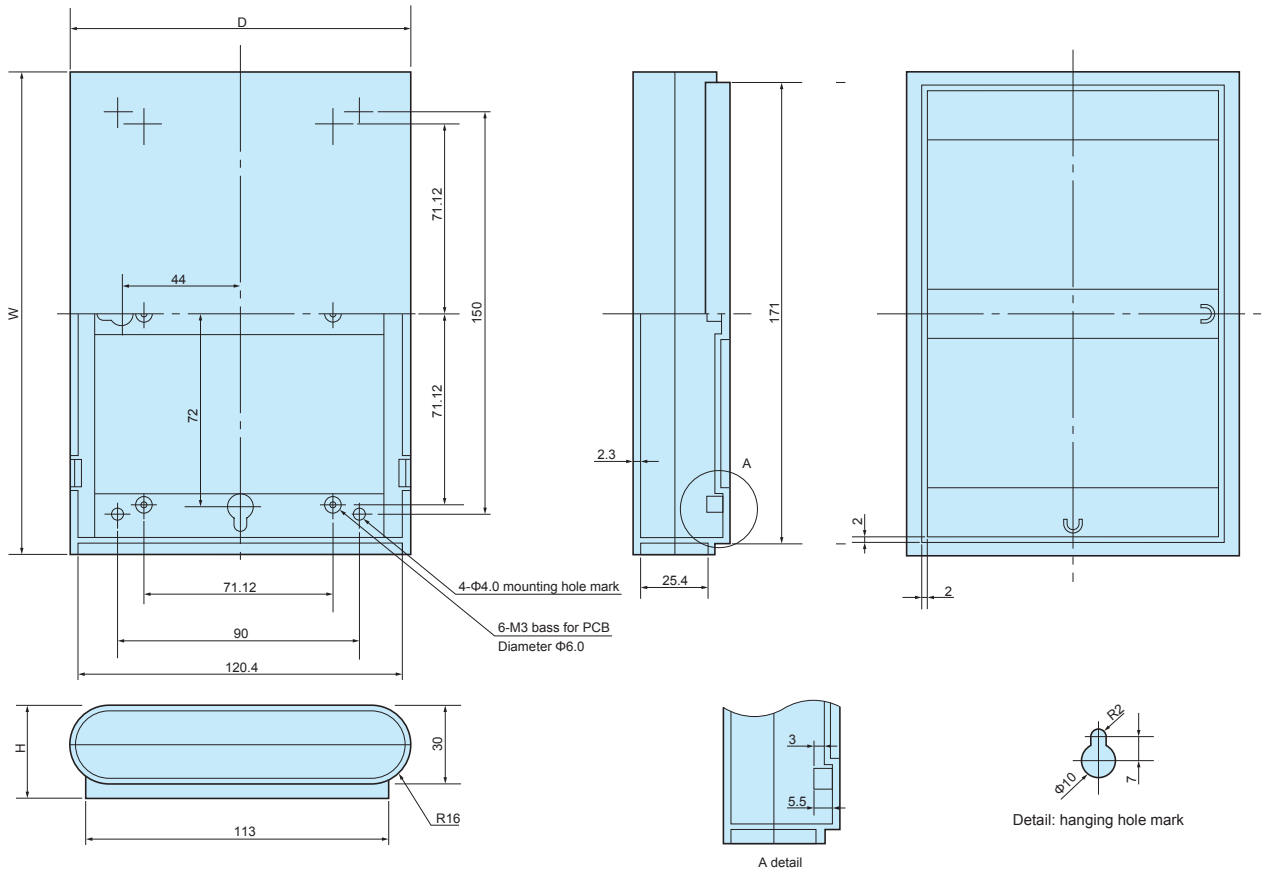
SU dimensions

DXF/DWG/PDF drawings available on our website.

SU-140



SU-180



Product no. / Dimensions

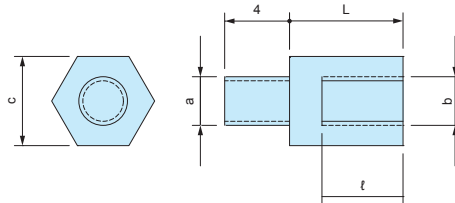
| Product no. | | Dimensions | | | Weight (g) |
|--------------|---------|------------|----|-----|------------|
| ● Light gray | ● White | W | H | D | |
| SU-140G | SU-140W | 140 | 35 | 110 | 100 |
| SU-180G | SU-180W | 180 | 35 | 125 | 140 |

TPS SERIES

TAPPING STANDOFF



- Tapping screw head allows for easy installation onto existing enclosure boss mount.
- 3 different sizes available : M2.3, M2.6 and M3 size.



Product no. / Dimensions

■ Material / Finish : Brass / Unfinished

| Product no. | Screw size (a) | Screw size (b) | c | L | ℓ | Pack of | Recommended enclosure models | |
|-------------|----------------|----------------|-----|----|---|---------|---|--|
| TPS-M2.3-4 | M2.3 | M2.3 | 5 | 4 | 3 | 4 | WH series • PFE series LC • LCE • LCS • LCT series PF • PFF series (M2.3 boss models) TW • TWN • TWF series (M2.3 boss models) WP series (M2.3 boss models) | |
| TPS-M2.3-5 | M2.3 | M2.3 | 5 | 5 | 3 | 4 | | |
| TPS-M2.3-6 | M2.3 | M2.3 | 5 | 6 | 4 | 4 | | |
| TPS-M2.3-7 | M2.3 | M2.3 | 5 | 7 | 5 | 4 | | |
| TPS-M2.3-8 | M2.3 | M2.3 | 5 | 8 | 6 | 4 | | |
| TPS-M2.3-10 | M2.3 | M2.3 | 5 | 10 | 6 | 4 | | |
| TPS-M2.3-12 | M2.3 | M2.3 | 5 | 12 | 6 | 4 | | |
| TPS-M2.6-4 | M2.6 | M2.6 | 5 | 4 | 3 | 4 | | PF • PFF series (M2.6 boss models) WP series (M2.6 boss models) |
| TPS-M2.6-5 | M2.6 | M2.6 | 5 | 5 | 3 | 4 | | |
| TPS-M2.6-7 | M2.6 | M2.6 | 5 | 7 | 5 | 4 | | |
| TPS-M2.6-10 | M2.6 | M2.6 | 5 | 10 | 6 | 4 | | |
| TPS-M2.6-12 | M2.6 | M2.6 | 5 | 12 | 6 | 4 | SU • OP series TWS • TW • TWN • TWF series (M3 boss models) | |
| TPS-M3-4 | M3 | M3 | 5.5 | 4 | 3 | 4 | | |
| TPS-M3-5 | M3 | M3 | 5.5 | 5 | 3 | 4 | | |
| TPS-M3-6 | M3 | M3 | 5.5 | 6 | 4 | 4 | | |
| TPS-M3-7 | M3 | M3 | 5.5 | 7 | 5 | 4 | | |
| TPS-M3-8 | M3 | M3 | 5.5 | 8 | 5 | 4 | | |
| TPS-M3-10 | M3 | M3 | 5.5 | 10 | 6 | 4 | | |
| TPS-M3-12 | M3 | M3 | 5.5 | 12 | 6 | 4 | | |



- Please use a suitable sized socket driver to both secure and loosen the tapping standoff.



MT SERIES

PCB MOUNTING SCREWS for TPS



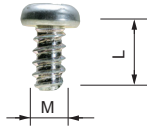
- PCB mounting Screws for TPS tapping standoffs.

Product no. / Dimensions

| Product no. | M | L | Head style | Material | Finish | Pack of |
|--------------------|-----|---|------------|----------|--------------------|---------|
| NEW MT2.3-4 | 2.3 | 4 | Pan | Steel | Trivalent chromate | 20 |
| NEW MT2.3-6 | 2.3 | 6 | | Steel | Trivalent chromate | 20 |
| NEW MT2.6-4 | 2.6 | 4 | | Steel | Trivalent chromate | 20 |
| MT3-4 | 3 | 4 | | Steel | Trivalent chromate | 20 |

EM SERIES

PCB MOUNTING SCREW



- Self-tapping screws for mounting PCB on bosses or standoffs.
- EM-3-6 self-tapping screws are suitable for mounting 1.6mm or thicker PCB.

Product no. / Dimensions

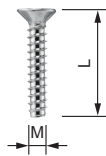
| Product no. | M | L | Material | Finish | Suitable enclosures | Pack of |
|---------------------|-----|---|----------|--------------------|---|---------|
| EM-1.6 | 1.6 | 4 | Steel | Trivalent chromate | WC • CSS • CS • PS (M1.6 size) | 50 |
| EM-2 | 2 | 5 | Steel | Trivalent chromate | PS • TW • TWN • TWF • WP (M2 size) | 50 |
| EM-2.3 | 2.3 | 6 | Steel | Trivalent chromate | WH • LC • LCT • LCS • LCE • PFE WSC (Top cover bosses) PF • PFF (M2.3 size) TW • TWN • TWF (M2.3 size) WP (M2.3 size) | 50 |
| NEW EM-2.3-8 | 2.3 | 8 | Steel | Trivalent chromate | WSC (Bottom base bosses) | 50 |
| EM-2.6 | 2.6 | 6 | Steel | Trivalent chromate | PF • PFF • WP (M2.6 size) | 50 |
| EM-3 | 3 | 5 | Steel | Trivalent chromate | SU TWS • TW • TWN • TWF (M3 sizes) | 50 |
| EM-3-6 | 3 | 6 | Steel | Trivalent chromate | | 50 |

MR SERIES

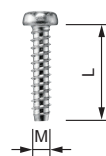
TORX SCREW



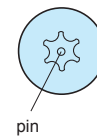
Countersunk head



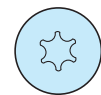
Pan head



With pin



★ Without pin



★ : MR1.6-6S, MR-2S, MR2.6-10□, and MR3-14□ are without pin.

Product no. / Dimensions

★Mark = Without pin

| Product no. | M | L | head no. | Head style | Material | Finish | Suitable enclosures | Pack of |
|-------------|-----|----|----------|-------------|----------|--------------------------|---|---------|
| MR1.6-6S★ | 1.6 | 6 | T3 | Pan | Steel | Nickel plated | CS • CSS | 20 |
| MR2.5-8PS | 2.5 | 8 | T8 | Pan | Steel | Nickel plated | PF • PFE • PFF (M2.5 size) | 20 |
| MR2.6-10S★ | 2.6 | 10 | T8 | Countersunk | Steel | Nickel plated | TW • TWN (M2.6 models) TWF (M2.6 models) | 20 |
| MR2.6-10B★ | 2.6 | 10 | T8 | Countersunk | Steel | Black trivalent chromate | MX • MXA • MXB • MXF (M2.6 models) | 20 |
| MR2.6-12PS | 2.6 | 12 | T8 | Pan | Steel | Nickel plated | LCT • LCS • LC115-F2 / F3 LCT • LCS • LC145S-F6 | 20 |
| MR2.6-14PS | 2.6 | 14 | T8 | Pan | Steel | Nickel plated | LCT • LCS • LC115H-F2 / F3 / M2 / 9V LCT • LCS • LC135-F4 / M2 / M3 / 9V LCT • LCS • LC135H-F4 / M2 / M3 / 9V LCT • LCS • LC145-F6 / M2 / M4 LCT • LCS • LC145H-F6 / M2 / M4 LCT • LCS • LC165-M4 LCT • LCS • LC165H-M4 | 20 |
| MR2.6-14S | 2.6 | 14 | T8 | Countersunk | Steel | Nickel plated | LCT • LCS • LC115-N / F2 / F3 LCT • LCS • LC145S-F6 / 145S-N LCE115-N TW • TWN7-2-11 / 7-4-11 / 7-5-11 TWF7-2-11 / 7-4-11 / 7-5-11 / 8-2-8 / 8-4-8 | 20 |
| MR2.6-18S | 2.6 | 18 | T8 | Countersunk | Steel | Nickel plated | LCT • LCS • LC115H-N / F2 / F3 / M2 / 9V LCT • LCS • LC135-N / F4 / M2 / M3 / 9V LCT • LCS • LC135H-N / F4 / M2 / M3 / 9V LCT • LCS • LC145-N / F6 / M2 / M4 LCT • LCS • LC145H-N / F6 / M2 / M4 LCT • LCS • LC165-N / M4 LCT • LCS • LC165H-N / M4 LCE115H-N • LCE135-N • LCE145H-N • LCE165H-N | 20 |
| MR3-8PS | 3 | 8 | T10 | Pan | Steel | Nickel plated | PF • PFE • PFF (M3 size) | 20 |
| MR3-14S★ | 3 | 14 | T10 | Countersunk | Steel | Nickel plated | TW • TWN (M3 models) | 20 |
| MR3-14B★ | 3 | 14 | T10 | Countersunk | Steel | Black trivalent chromate | TWF (M3 models) MX • MXA • MXB • MXF (M3 models) | 20 |
| MR-1S | 3 | 5 | T10 | Countersunk | Steel | Nickel plated | UC | 20 |
| MR-1B | 3 | 5 | T10 | Countersunk | Steel | Black trivalent chromate | UC • UCY • US | 20 |
| MR-2S | 3 | 10 | T10 | Countersunk | Steel | Nickel plated | HEN | 20 |