

# STB SERIES

# TERMINAL BLOCK

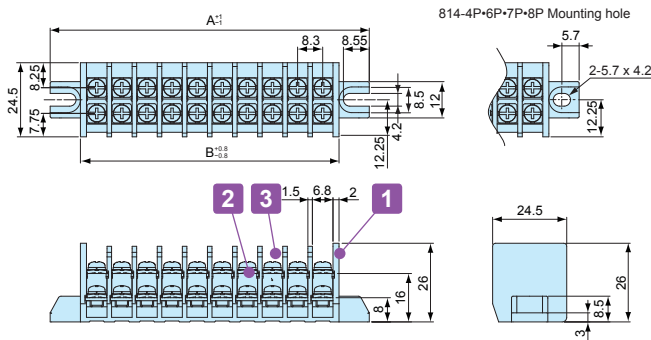


■ Terminal block for SPCM • SPCP series.

### Components

No.	Part name	Pcs	Material	Color / Finish
1	Base	1	PBT (UL94V-0)	Black
2	Terminal	1	Brass	Nickel plated
3	Terminal screw	2 x P	Steel	Nickel plated
-	Mounting screw	4	Steel	Trivalent chromate

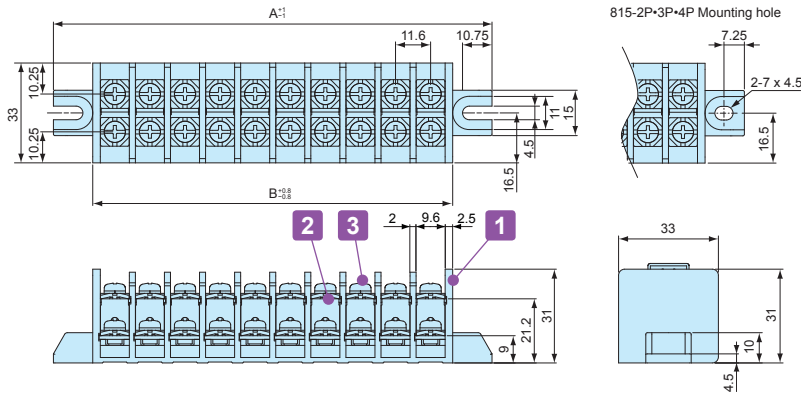
### STB-814



### Specification

1. Electrical Rating 300V 30A
2. Insulation Resistance DC500V 1000MΩ ~
3. Withstand Voltage AC2500V (Tested for 1 min.)
4. Operating Temp. Range -25°C ~ +80°C
5. Storage Temp. Range -25°C ~ +80°C

### STB-815



### Specification

1. Electrical Rating 300V 30A  
(600V 30A JIS IEC compliant)
2. Insulation Resistance DC500V 1000MΩ ~
3. Withstand Voltage AC2500V (Tested for 1 min.)
4. Operating Temp. Range -25°C ~ +80°C
5. Storage Temp. Range -25°C ~ +80°C

### Product no. / Dimensions

Product no.	P (Number of poles)	A	B	Suitable SPCM • SPCP box W x D dimensions
STB814- 3P	3	47.4	27.4	75×125
STB814- 4P	4	55.7	35.7	100×100
STB814- 6P	6	72.3	52.3	175×175
STB814- 7P	7	80.6	60.6	100×100
STB814- 8P	8	88.9	68.9	75×125, 125×125
STB814- 9P	9	97.2	77.2	125×125, 125×175, 175×250
STB814-10P	10	105.5	85.5	125×175, 175×250
STB815- 2P	2	52.2	26.2	75×125
STB815- 3P	3	63.8	37.8	100×100
STB815- 4P	4	75.4	49.4	125×125
STB815- 6P	6	98.6	72.6	125×125, 125×175, 175×250
STB815-10P	10	145	119	175×175, 175×250

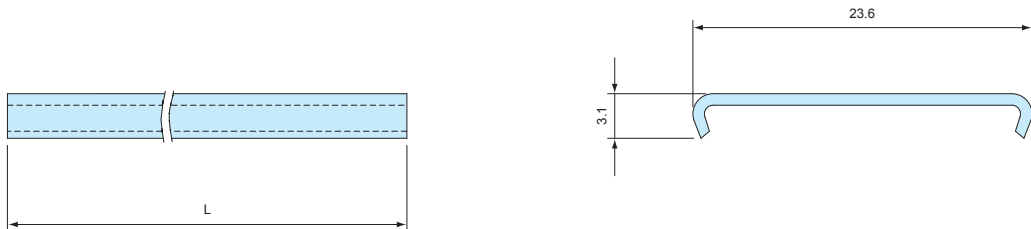
# STC SERIES

# TERMINAL COVER

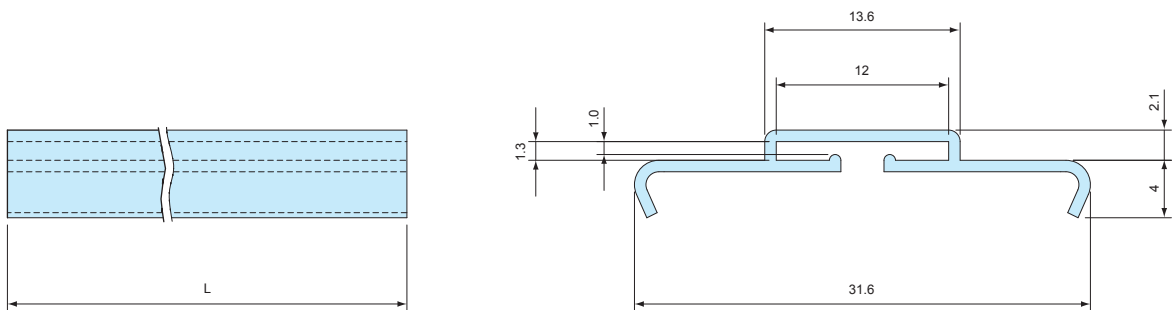


- Terminal cover for STB terminal block.
- Use for protecting terminals.

## STC814



## STC815



- Material / Color : Polycarbonate t=0.8mm / Transparent

### Product no. / Dimensions

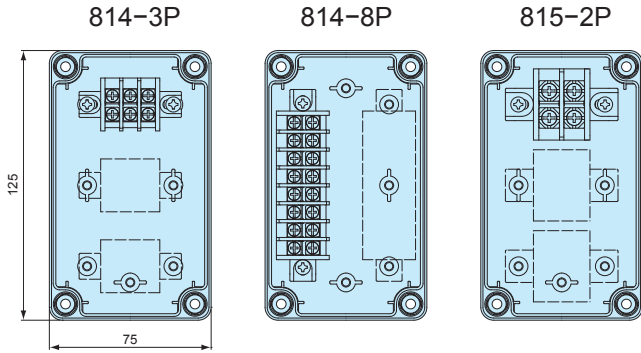
Product no.	P (Number of poles)	L	Compatible terminal
STC814- 3P	3	22.4	STB814- 3P
STC814- 4P	4	30.7	STB814- 4P
STC814- 6P	6	47.3	STB814- 6P
STC814- 7P	7	55.6	STB814- 7P
STC814- 8P	8	63.9	STB814- 8P
STC814- 9P	9	72.2	STB814- 9P
STC814-10P	10	80.5	STB814-10P
STC815- 2P	2	20.2	STB815- 2P
STC815- 3P	3	31.8	STB815- 3P
STC815- 4P	4	43.4	STB815- 4P
STC815- 6P	6	66.6	STB815- 6P
STC815-10P	10	113.0	STB815-10P

# STB TERMINAL BLOCK MOUNTING POSITION

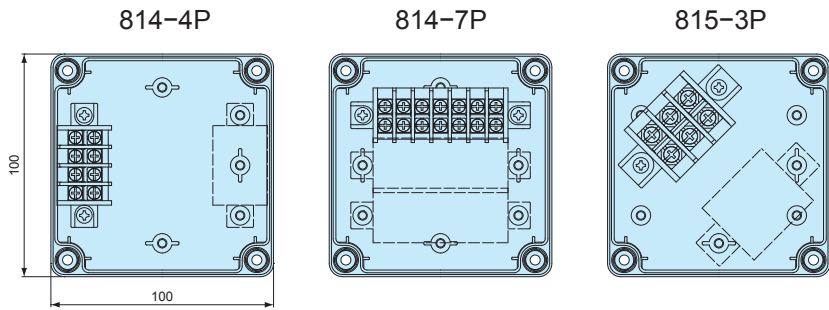
■ Drawings below are reference examples only.  
DXF/DWG/PDF drawings available on our website.

■ Terminals can be installed in the area with dotted lines.

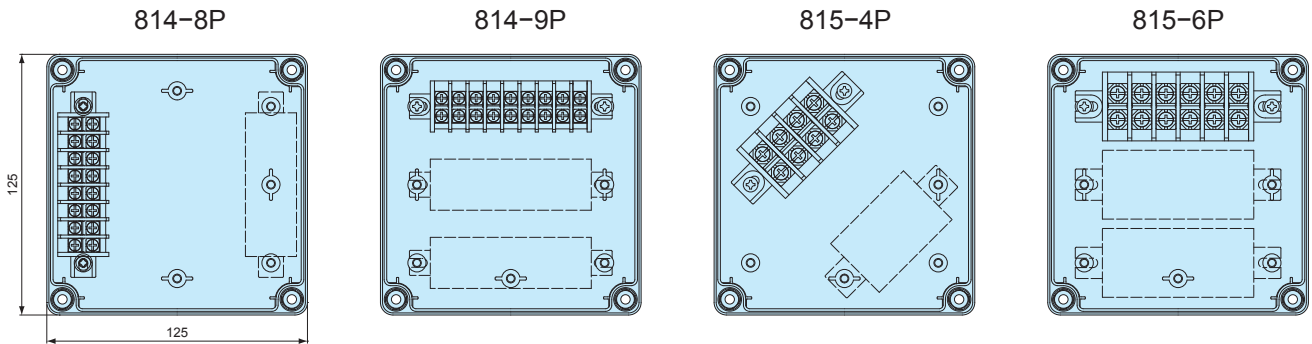
Suitable box SPCM/SPCP 081305 • 081306 • 081308 • 081310 • 081313



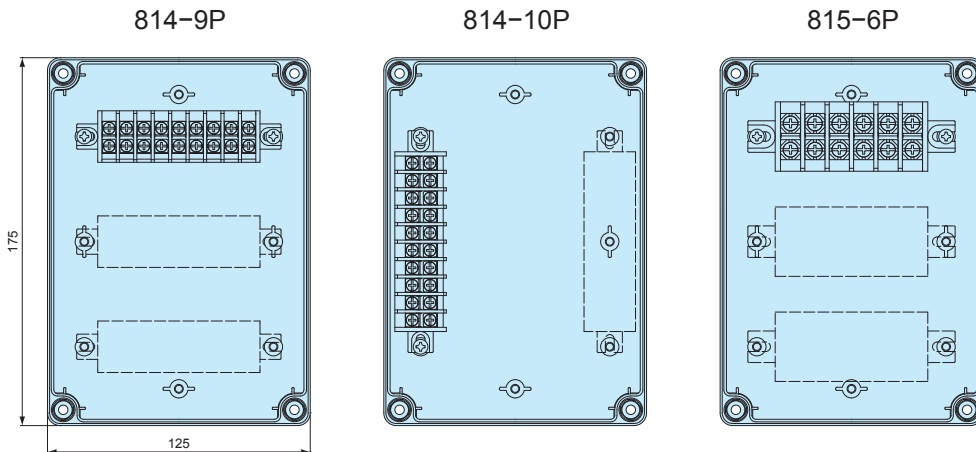
Suitable box SPCM/SPCP 101006



Suitable box SPCM/SPCP 131305 • 131306 • 131308 • 131310 • 131313



Suitable box SPCM/SPCP 131805 • 131806 • 131808 • 131810 • 131813 • 131815



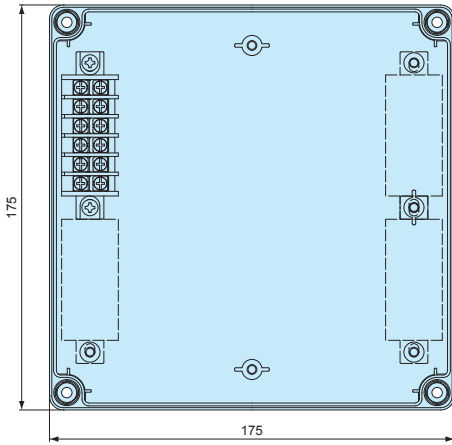
# STB TERMINAL BLOCK MOUNTING POSITION

■ Drawings below are reference examples only.  
DXF/DWG/PDF drawings available on our website.

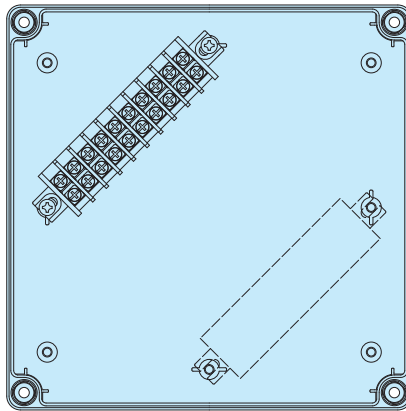
■ Terminals can be installed in the area with dotted lines.

Suitable box SPCM/SPCP 181808 • 181810 • 181813 • 181815

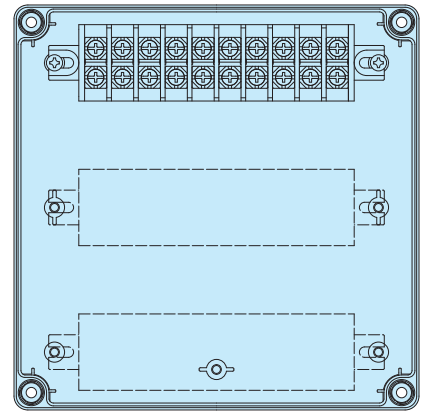
814-6P



814-10P

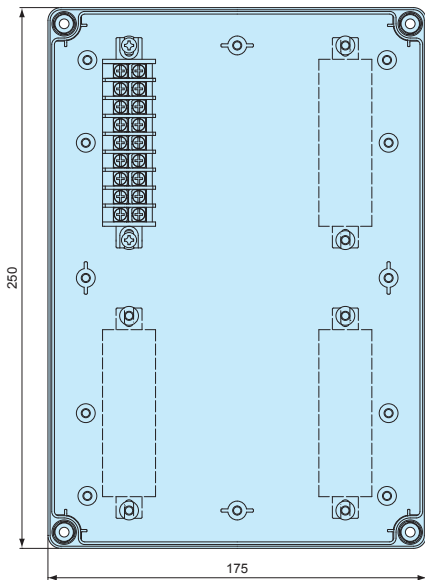


815-10P

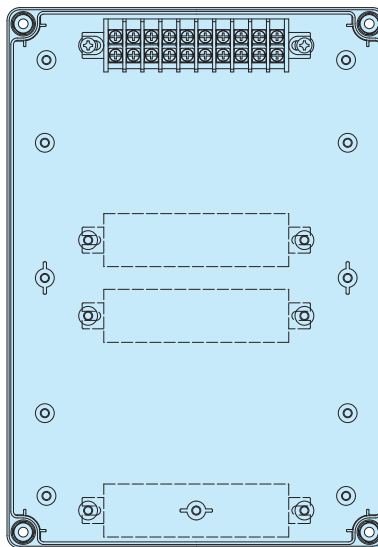


Suitable box SPCM/SPCP 182508 • 182510 • 182515

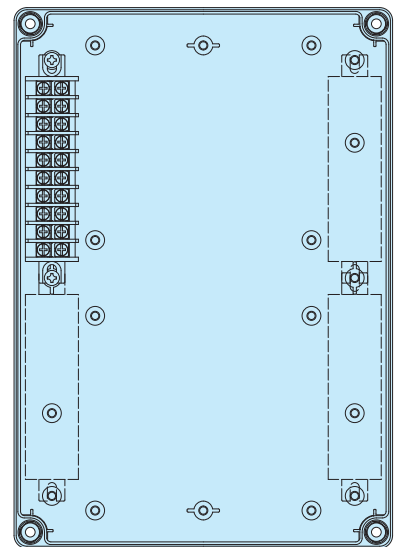
814-9P



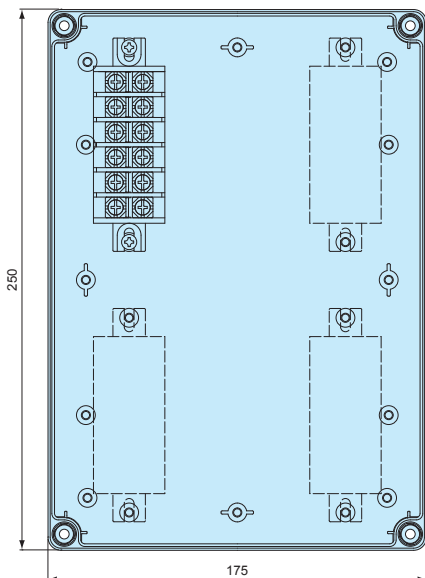
814-10P



814-10P



815-6P



815-10P

