

STB SERIES

TERMINAL BLOCK

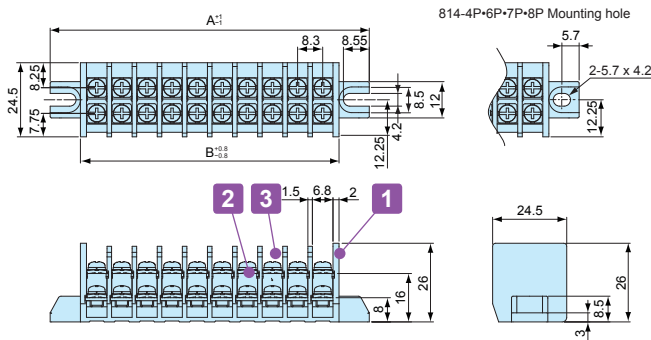


■ Terminal block for SPCM • SPCP series.

Components

| No. | Part name | Pcs | Material | Color / Finish |
|-----|----------------|-------|---------------|--------------------|
| 1 | Base | 1 | PBT (UL94V-0) | Black |
| 2 | Terminal | 1 | Brass | Nickel plated |
| 3 | Terminal screw | 2 x P | Steel | Nickel plated |
| - | Mounting screw | 4 | Steel | Trivalent chromate |

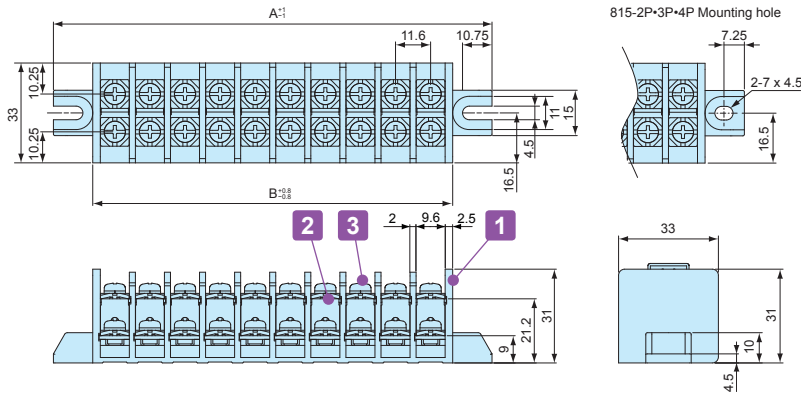
STB-814



Specification

1. Electrical Rating 300V 30A
2. Insulation Resistance DC500V 1000MΩ ~
3. Withstand Voltage AC2500V (Tested for 1 min.)
4. Operating Temp. Range -25°C ~ +80°C
5. Storage Temp. Range -25°C ~ +80°C

STB-815



Specification

1. Electrical Rating 300V 30A
(600V 30A JIS IEC compliant)
2. Insulation Resistance DC500V 1000MΩ ~
3. Withstand Voltage AC2500V (Tested for 1 min.)
4. Operating Temp. Range -25°C ~ +80°C
5. Storage Temp. Range -25°C ~ +80°C

Product no. / Dimensions

| Product no. | P (Number of poles) | A | B | Suitable SPCM • SPCP box W x D dimensions |
|-------------|---------------------|-------|------|---|
| STB814- 3P | 3 | 47.4 | 27.4 | 75×125 |
| STB814- 4P | 4 | 55.7 | 35.7 | 100×100 |
| STB814- 6P | 6 | 72.3 | 52.3 | 175×175 |
| STB814- 7P | 7 | 80.6 | 60.6 | 100×100 |
| STB814- 8P | 8 | 88.9 | 68.9 | 75×125, 125×125 |
| STB814- 9P | 9 | 97.2 | 77.2 | 125×125, 125×175, 175×250 |
| STB814-10P | 10 | 105.5 | 85.5 | 125×175, 175×250 |
| STB815- 2P | 2 | 52.2 | 26.2 | 75×125 |
| STB815- 3P | 3 | 63.8 | 37.8 | 100×100 |
| STB815- 4P | 4 | 75.4 | 49.4 | 125×125 |
| STB815- 6P | 6 | 98.6 | 72.6 | 125×125, 125×175, 175×250 |
| STB815-10P | 10 | 145 | 119 | 175×175, 175×250 |

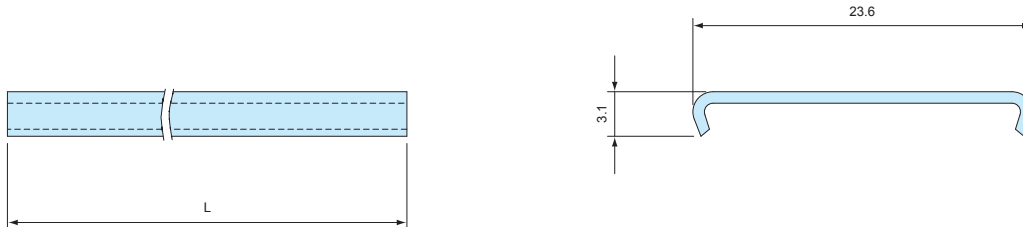
STC SERIES

TERMINAL COVER

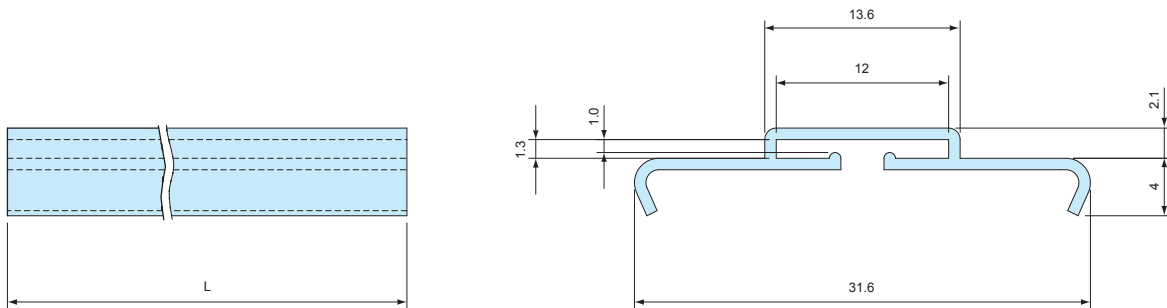


- Terminal cover for STB terminal block.
- Use for protecting terminals.

STC814



STC815



- Material / Color : Polycarbonate t=0.8mm / Transparent

Product no. / Dimensions

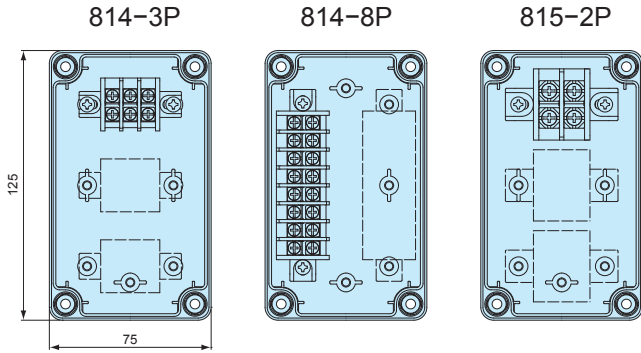
| Product no. | P (Number of poles) | L | Compatible terminal |
|-------------|---------------------|-------|---------------------|
| STC814- 3P | 3 | 22.4 | STB814- 3P |
| STC814- 4P | 4 | 30.7 | STB814- 4P |
| STC814- 6P | 6 | 47.3 | STB814- 6P |
| STC814- 7P | 7 | 55.6 | STB814- 7P |
| STC814- 8P | 8 | 63.9 | STB814- 8P |
| STC814- 9P | 9 | 72.2 | STB814- 9P |
| STC814-10P | 10 | 80.5 | STB814-10P |
| STC815- 2P | 2 | 20.2 | STB815- 2P |
| STC815- 3P | 3 | 31.8 | STB815- 3P |
| STC815- 4P | 4 | 43.4 | STB815- 4P |
| STC815- 6P | 6 | 66.6 | STB815- 6P |
| STC815-10P | 10 | 113.0 | STB815-10P |

STB TERMINAL BLOCK MOUNTING POSITION

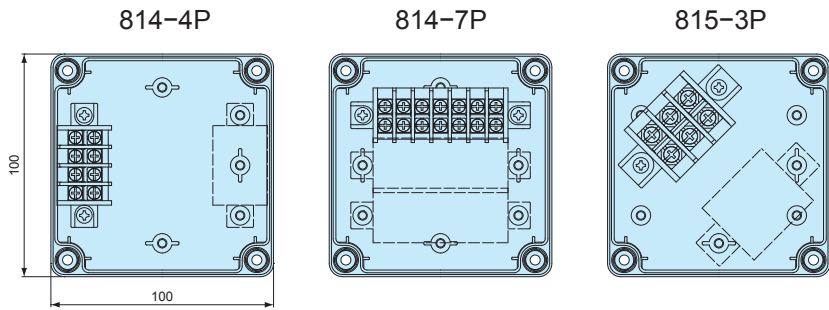
■ Drawings below are reference examples only.
DXF/DWG/PDF drawings available on our website.

■ Terminals can be installed in the area with dotted lines.

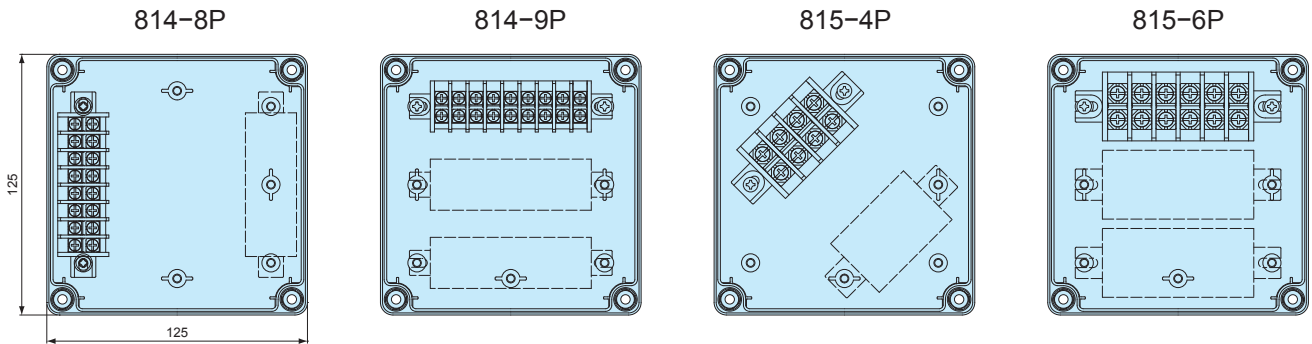
Suitable box SPCM/SPCP 081305 • 081306 • 081308 • 081310 • 081313



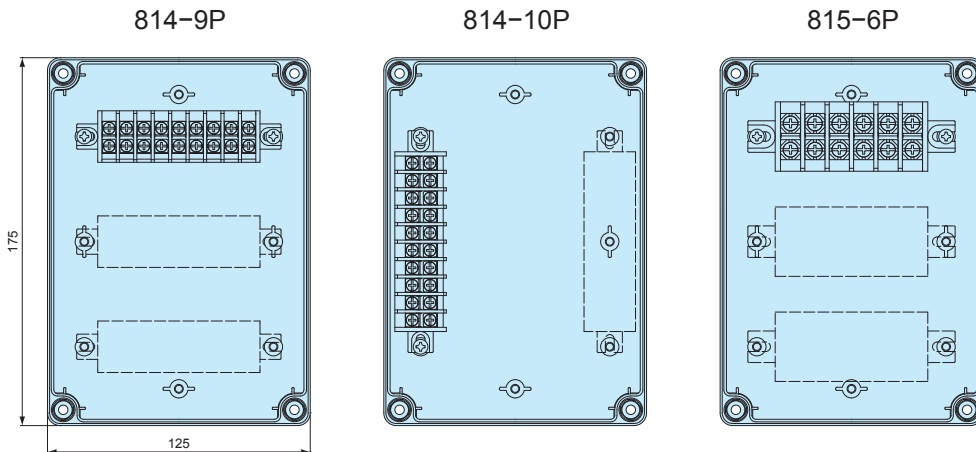
Suitable box SPCM/SPCP 101006



Suitable box SPCM/SPCP 131305 • 131306 • 131308 • 131310 • 131313



Suitable box SPCM/SPCP 131805 • 131806 • 131808 • 131810 • 131813 • 131815



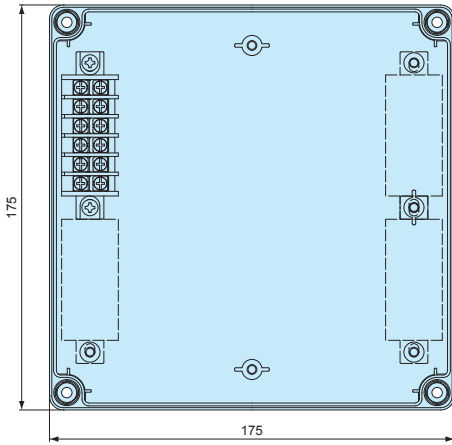
STB TERMINAL BLOCK MOUNTING POSITION

■ Drawings below are reference examples only.
DXF/DWG/PDF drawings available on our website.

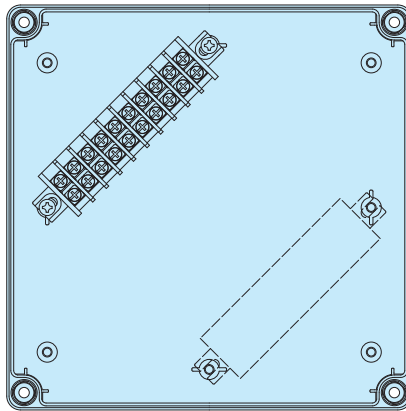
■ Terminals can be installed in the area with dotted lines.

Suitable box SPCM/SPCP 181808 • 181810 • 181813 • 181815

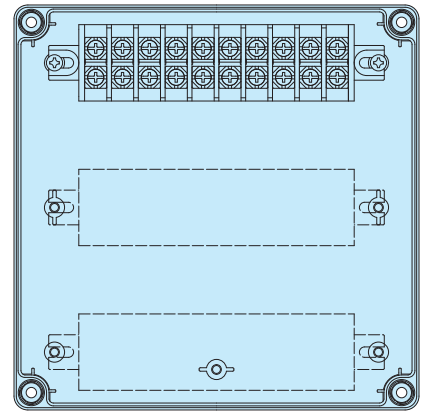
814-6P



814-10P

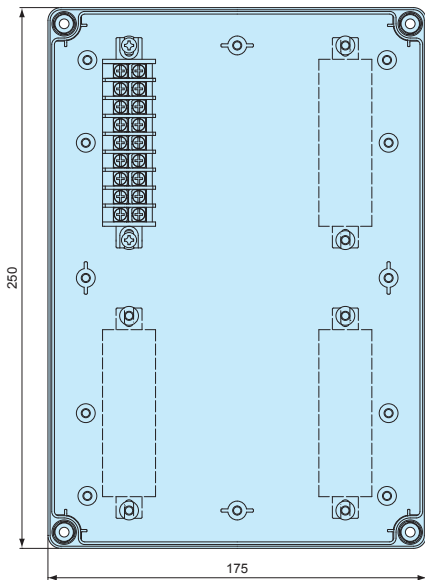


815-10P

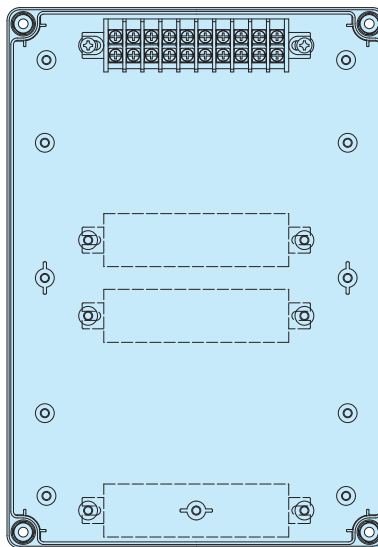


Suitable box SPCM/SPCP 182508 • 182510 • 182515

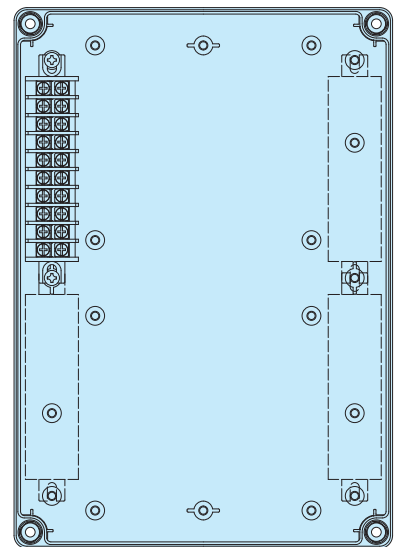
814-9P



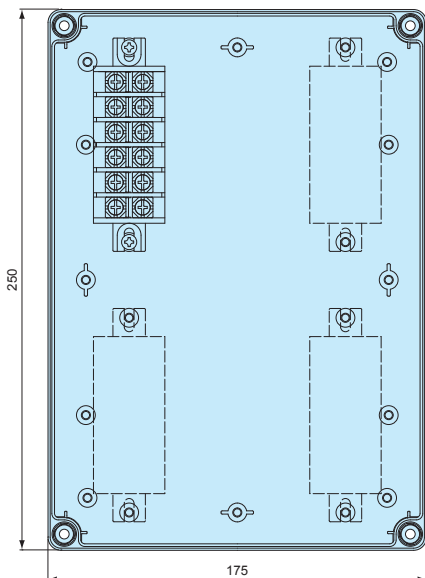
814-10P



814-10P



815-6P



815-10P

