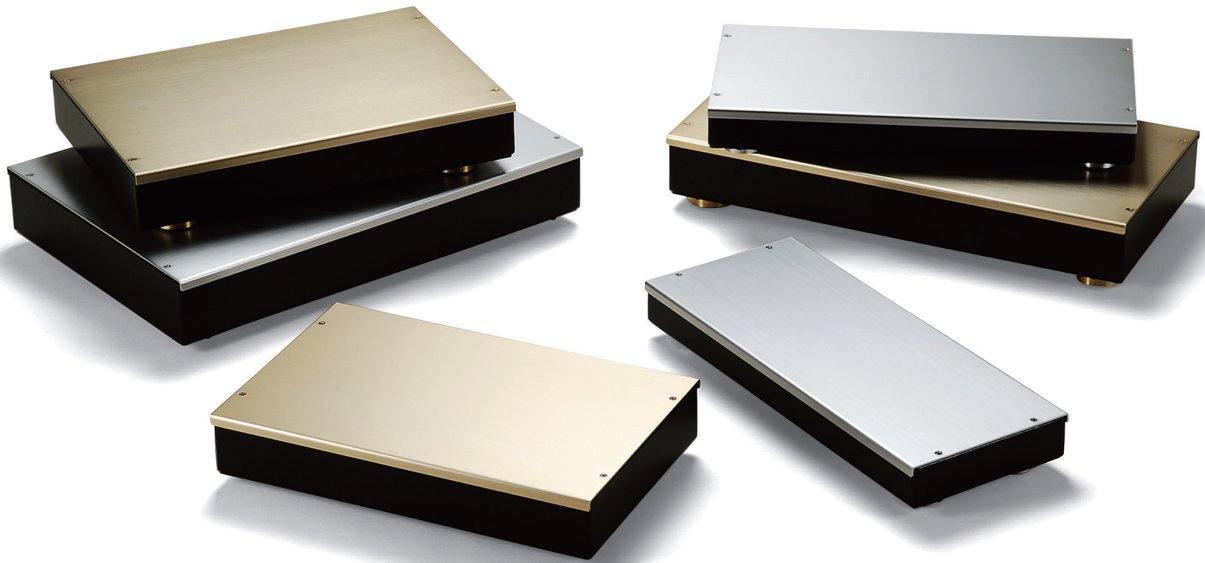


SRDSL SERIES

ALUMINIUM DESKTOP CHASSIS



- Designed with an elegant and stylish hairline brushed top cover.
- Champagne gold and silver top covers available.
- Recommended for audio amplifier use.

APPLICATION EXAMPLE

VACUUM TUBE POWER AMPLIFIER

Product by MJ Musen to Jikken (Japan)

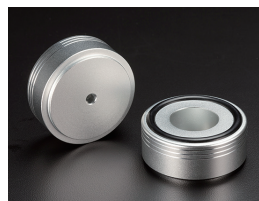


DIGITAL MULTI-CHANNEL ANALYZER

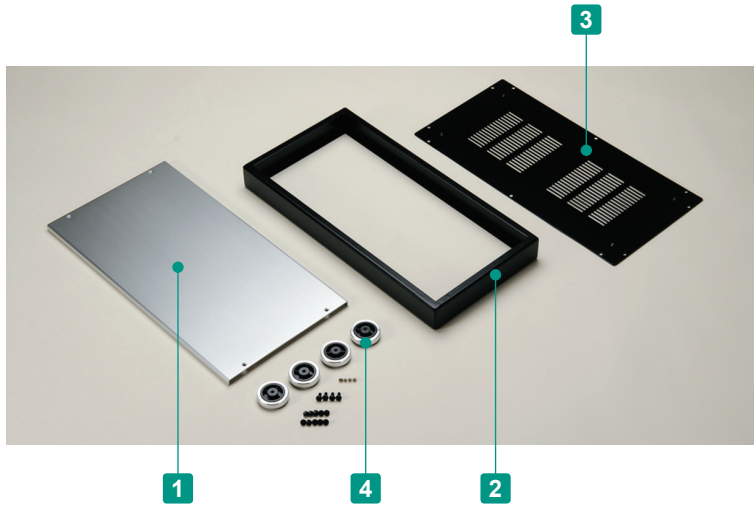
Product by Project Integration LLC (Armenia)



Accessories (Optional parts)



Aluminium isolation feet AFS • AFM series
See page AFS • AFM-1 ~ AFS • AFM-2



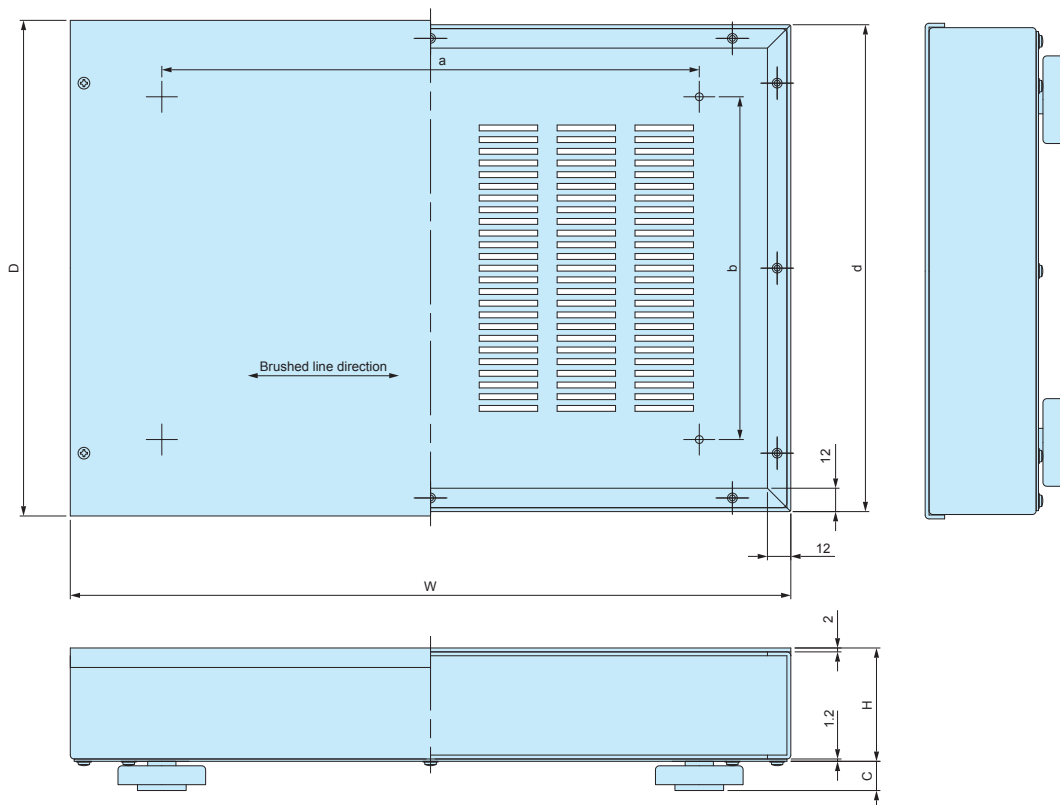
Included screws
 M3-5 countersunk • Nickel plated x 4 pcs
 M3-5 Binding head with washer • Black trivalent chromate x 14 pcs
 M4-10 Binding head • Black trivalent chromate x 4 pcs

Components

No.	Part name	Pcs	Material	Color / Finish
1	Top cover	1	Aluminium A1050P t=2.0	Champagne gold • Silver / Hairline brushed & Anodized
2	Body frame	1	Aluminium A1050P t=2.0	Black / Painted (leather tone)
3	Bottom cover	1	Steel SECC t=1.2	Black / Painted
4	Feet	4	ABS UL94HB : Aluminium	Black : Gold • Black : Silver

SRDSL dimensions

■ Drawings below are reference examples only.
 DXF/DWG/PDF drawings available on our website.



Product no. / Dimensions

Product no.		W	H	D	a	b	c	d	Weight (kg)
● Champagne gold	● Silver								
SRDSL- 7HG	SRDSL- 7HS	400	43.2	164.5	336	96	12	160	1.29
SRDSL- 8HG	SRDSL- 8HS	350	58.2	224.5	246	142	12	220	1.56
SRDSL- 9HG	SRDSL- 9HS	400	43.2	204.5	336	136	12	200	1.53
SRDSL-10HG	SRDSL-10HS	370	58.2	254.5	276	176	15	250	1.77
SRDSL-15HG	SRDSL-15HS	460	63.2	224.5	396	156	15	220	1.91
SRDSL-20HG	SRDSL-20HS	450	68.2	305	336	208	15	300	2.49

AFS•AFM SERIES

ALUMINIUM ISOLATION FEET



- The surface treatment and finish allows the feet to exhibit a polished and luxurious feel.
- Non-slip NBR O-ring is present on the underside of the feet.
- Suitable for use in audio devices.

Available in both internal and external screw installation type.

External type / Shot blast finish (AFS series)



The external type is secured via screws from the underside / base of the feet to the enclosure. A thread hole is required for direct securing, while a circular hole is required for lock nut securing.

The shot blast finish provides a high quality surface finish look, and pairing well with various types of enclosure surfaces.

Available in both silver and black.

Internal type / Reflective finish (AFM series)



The internal type is secured via screws from the inside of the enclosure. A circular hole is required for securing into the pre-made threads in the top-side of the feet.

The reflective surface finish adds a high quality touch to the unit, allow it to have a luxurious look.

Available only in Silver.

Accessories (Optional parts)

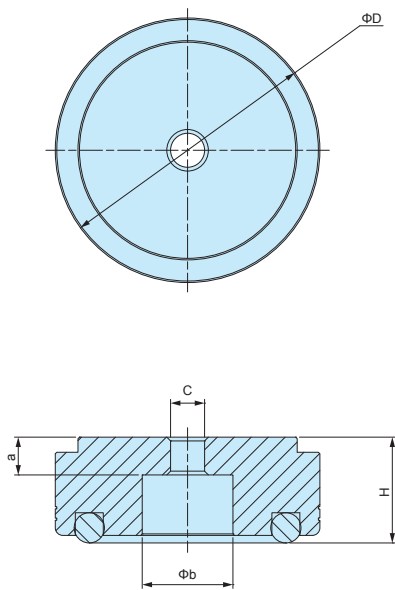
Product no. / Dimensions

Product no.		D	H	Installation type	C	a	b	Pack of
● Silver	● Black							
AFS20- 8S	AFS20- 8B	20	8	External	Φ3.4	3	9	4
AFS25-10S	AFS25-10B	25	10	External	Φ4.5	4	12	4
AFS30-12S	AFS30-12B	30	12	External	Φ4.5	5	12	4
AFS35-14S	AFS35-14B	35	14	External	Φ4.5	5	12	4
AFS39-16S	AFS39-16B	39	16	External	Φ4.5	5	15	4
AFS44-18S	AFS44-18B	44	18	External	Φ4.5	5	20	4
AFS55-20S	AFS55-20B	55	20	External	Φ5.5	5	20	4
AFM15- 7S	-	15	7	Internal	M3	4	-	4
AFM20- 9S	-	20	9	Internal	M3	5	-	4
AFM25-12S	-	25	12	Internal	M4	7	-	4
AFM30-14S	-	30	14	Internal	M4	8	-	4
AFM35-16S	-	35	16	Internal	M4	10	-	4
AFM39-18S	-	39	18	Internal	M4	10	-	4
AFM44-20S	-	44	20	Internal	M4	10	-	4
AFM55-22S	-	55	22	Internal	M5	15	-	4

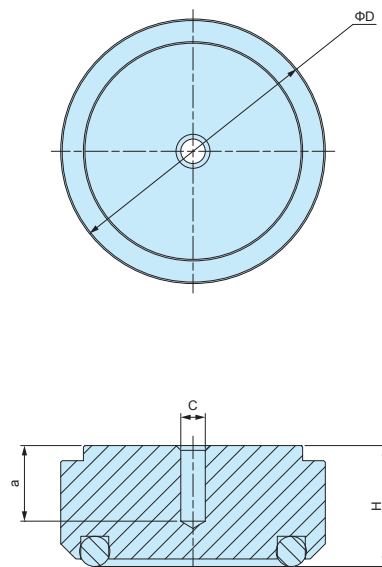
AFS • AFM dimensions

■ Drawings below are reference examples only.
DXF/DWG/PDF drawings available on our website.

AFS SERIES



AFM SERIES



APPLICATION EXAMPLE

