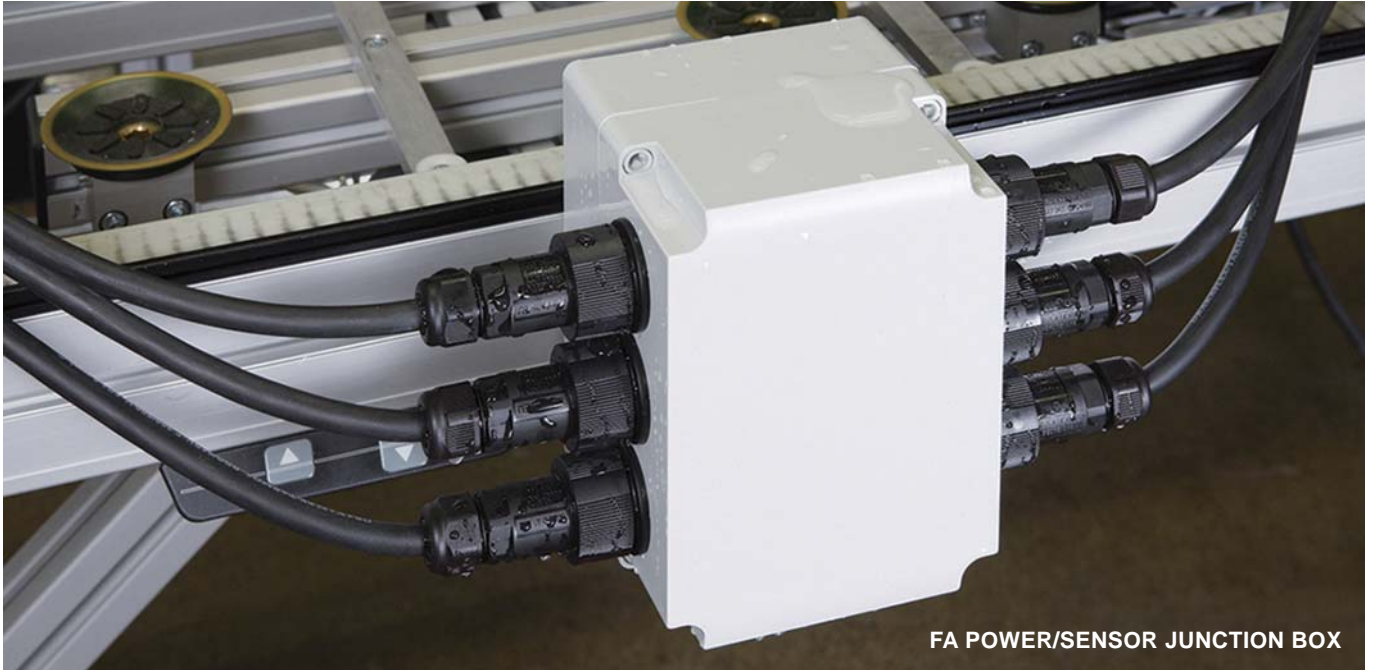


IP67 POLYCARBONATE BOX

SPCP · SPCM SERIES APPLICATION EXAMPLE

Made from polycarbonate material, the SPCP · SPCM series features not only high durability, but also comes with IP67 protection. Suitable to be used in a wide range of applications, such as FA/control, measurement equipment, network communication and so on.



FA POWER/SENSOR JUNCTION BOX

INDUSTRIAL MOTOR JUNCTION BOX

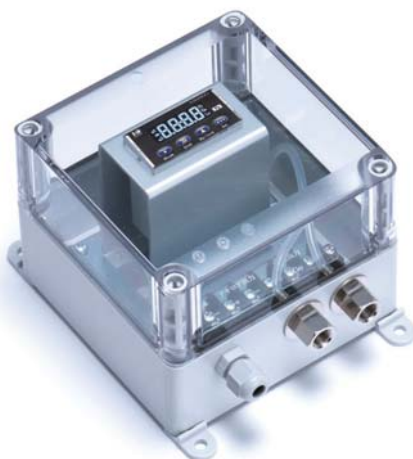


AUTOMATIC DOOR OPEN/CLOSE SWITCH



DIGITAL DIFFERENTIAL MANOMETER

Product by KRONE CORPORATION (Japan)



PARTS FEEDER COUNTER



REMOTE GREENHOUSE MONITORING SYSTEM

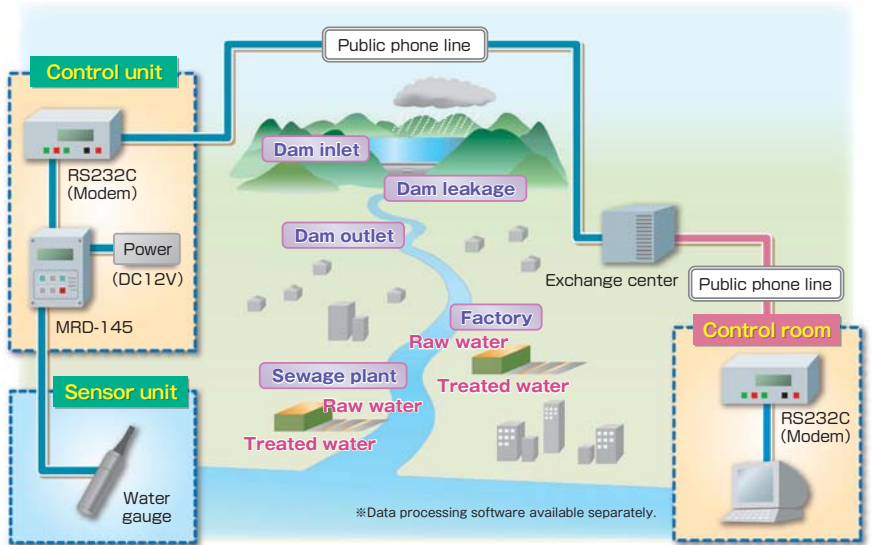


METEOROLOGICAL MONITOR



WATER LEVEL METER

Product by HOKUTO RIKEN (Japan)



DIGITAL ANEMOMETER

Product by North One (Japan)



SENSOR NETWORK MONITOR

Product by KYOSAITECHNOS (Japan)



FIELD DATA LOGGER

Product by M.C.S (Japan)



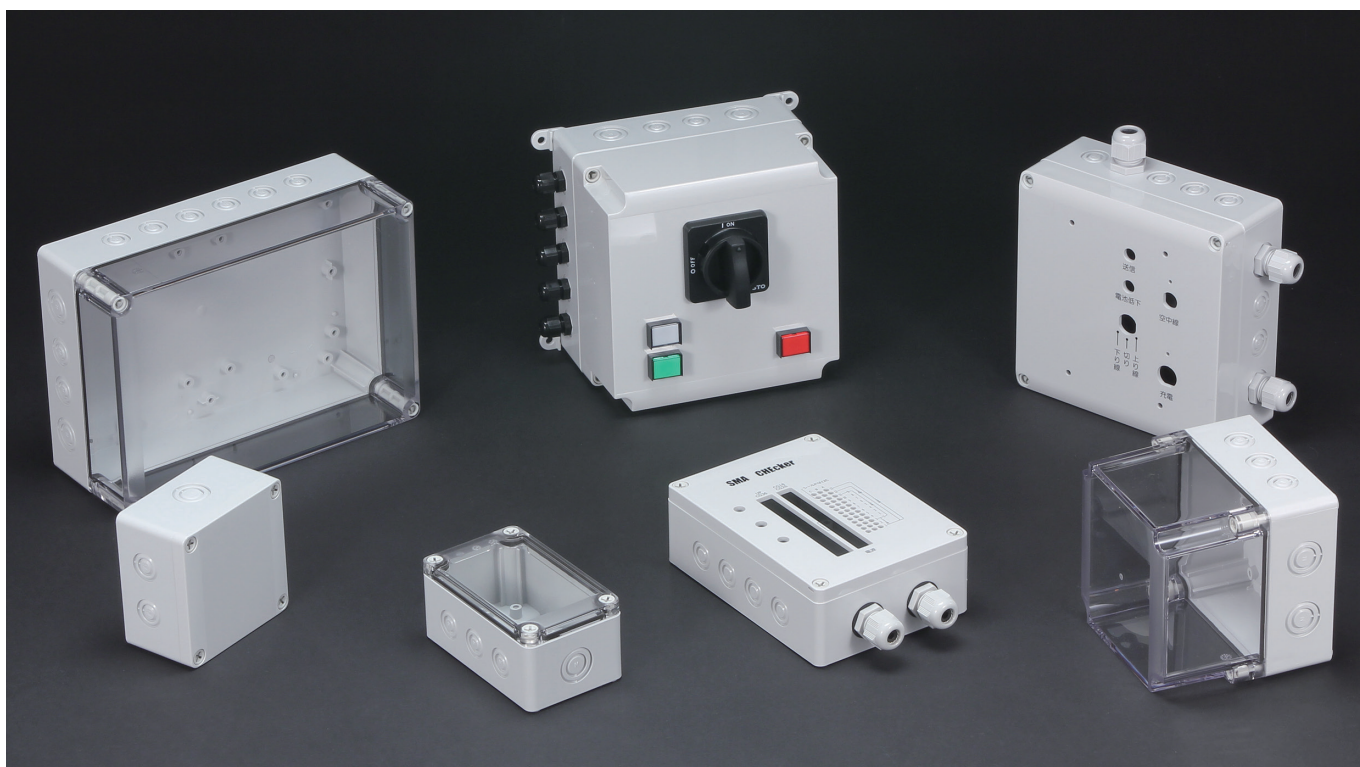
MONITORING CAMERA

Product by ACE PROMOTION (Japan)



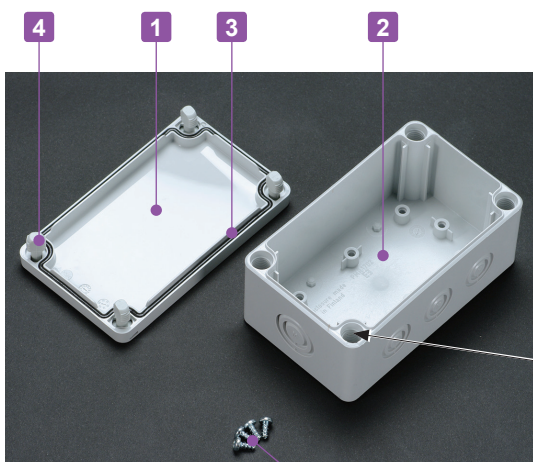
SPCM SERIES

IP67 POLYCARBONATE BOX with METRIC KNOCK-OUTS

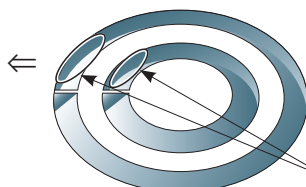


Technical Data

Protection class: IP67
 Operating temperature: -20°C ~ +75°C
 Recommended torque: 1N · m ~ 1.5N · m



- Tough polycarbonate material for superior impact resistance.
- Available in 21 different sizes, with 2 different cover types (white gray and transparent).
- Molded with metric knock-outs for easy removal for cable entry.
- Suitable to be used as terminal junction box, control box, communication unit and so on.
- Mountable on walls by using the cover holes for fastening.



- To knock out the hole covers, rest a flathead screwdriver at the "A" points, and punch out the knock-outs by hammering on the rear end of the screwdriver handle with a hammer.

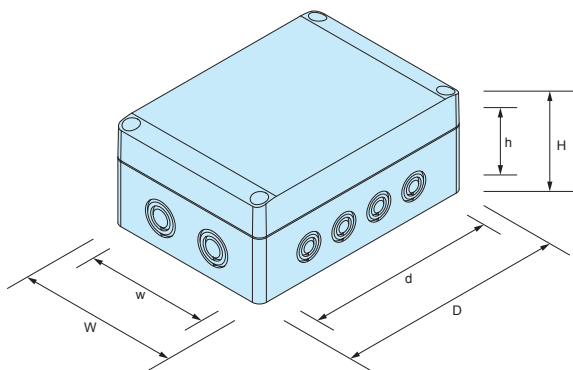
"A" point

Components

No.	Part name	Pcs	Material	Color / Finish
1	Cover	1	Polycarbonate UL94V-2	White gray • Transparent
2	Body	1	Glass fiber filled polycarbonate UL94V-0	White gray
3	Gasket	1	Polyurethane	Black
4	Cover screw	4	Polyamide	White gray
5	Tapping screw (for mounting plate)	4	Steel	Unichrome plated

SPCM dimensions

■ Drawings below are reference examples only.
DXF/DWG/PDF drawings available on our website.



※Metric knock-outs are on all 4 sides.

Product no. / Dimensions

Product no.				Dimensions (External)			Dimensions (Internal)			Weight (g)
G type		T type		W	D	H	w	d	h	
Cover	Body	Cover	Body							
● White gray		○ Transparent	● White gray							
SPCM081306G			SPCM081306T	75	125	60	65.5	91	45.5	159
SPCM081308G			SPCM081308T	75	125	75	65.5	91	60.5	208
SPCM081310G			SPCM081310T	75	125	100	65	90.5	85.5	275
SPCM081313G			SPCM081313T	75	125	125	64.5	90	110.5	299
SPCM101006G			SPCM101006T	100	100	60	90.5	66	45.5	164
SPCM131306G			SPCM131306T	125	125	60	115.5	91	45.5	243
SPCM131308G			SPCM131308T	125	125	75	115.5	91	60.5	292
SPCM131310G			SPCM131310T	125	125	100	115	90.5	85.5	366
SPCM131313G			SPCM131313T	125	125	125	114.5	90	110.5	401
SPCM131806G			SPCM131806T	125	175	60	115.5	141	45.5	294
SPCM131808G			SPCM131808T	125	175	75	115.5	141	60.5	373
SPCM131810G			SPCM131810T	125	175	100	115	140.5	85.5	450
SPCM131813G			SPCM131813T	125	175	125	115	140.5	110.5	519
SPCM131815G			SPCM131815T	125	175	150	114	139.5	135.5	588
SPCM181808G			SPCM181808T	175	175	75	165.5	141	60.5	468
SPCM181810G			SPCM181810T	175	175	100	165	140.5	85.5	569
SPCM181813G			SPCM181813T	175	175	125	164.5	140	110.5	639
SPCM181815G			SPCM181815T	175	175	150	164	139.5	135.5	723
SPCM182508G			SPCM182508T	175	250	75	165.5	216	60.5	633
SPCM182510G			SPCM182510T	175	250	100	165	215.5	85.5	745
SPCM182515G			SPCM182515T	175	250	150	164	214.5	135.5	946

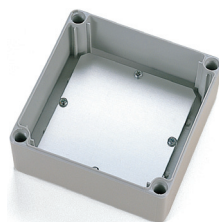
Accessories (Optional parts)



Terminal block • Terminal cover STB • STC series
See page STB • STC-1 ~ STB • STC-4



Mounting bracket SFL-1
See page SPCM • SPCP-ACC-1



Mounting plate SMP series
See page SPCM • SPCP-ACC-1



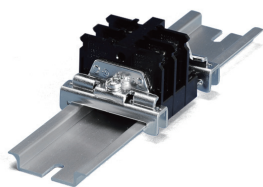
Cable gland
See cable gland pages



Protective vent PMF series
See PMF pages



DIN-Rail FDR series
See page FDR-1 ~ FDR-2



Terminal block stopper TKR series
See page DIN-ACC-2

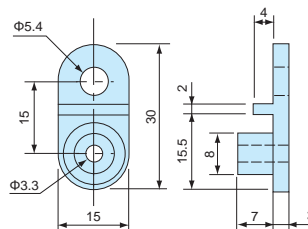


Pole mounting bracket & belt SSK, PKB series
See page SSK-1 ~ SSK-4



Outdoor roof SR series
See page SPCM • SPCP-ACC-2

SFL-1 PLASTIC MOUNTING BRACKET



Product no. / Feature

Product no.	Material	Screw	Pcs
SFL-1	Polycarbonate	M4 Tapping	4

SMS4-8 MOUNTING SCREW



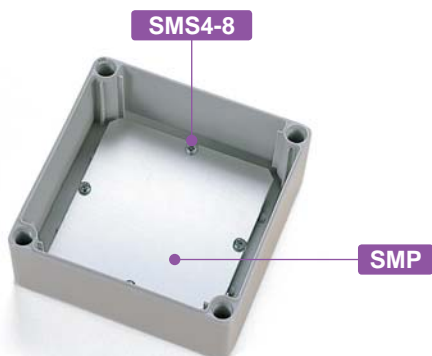
- Mounting screws for PCB mounting on SPCP • SPCM series.
※1 set included with each SPCP • SPCM enclosure.

Product no. / Feature

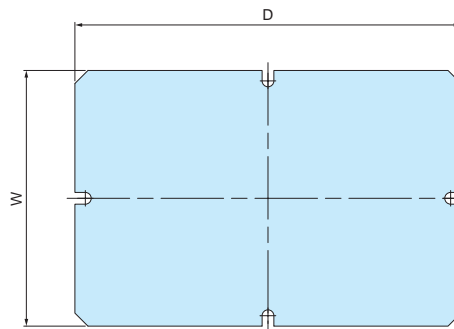
Product no.	Material	Screw	Pcs
SMS4-8 (M4-8 Pan head tapping)	Steel	Trivalent chromate	4

SMP SERIES ALUMINIUM MOUNTING PLATE

SMP dimensions



- Drawings below are reference examples only.
DXF/DWG/PDF drawings available on our website.



Product no. / Dimensions

Product no.	Suitable box	W	D	Weight (g)
SMP0813	SPCM • SPCP0813	48	98	18
SMP1010	SPCM • SPCP1010	78	78	24
SMP1313	SPCM • SPCP1313	98	98	40.5
SMP1318	SPCM • SPCP1318	98	148	61
SMP1818	SPCM • SPCP1818	148	148	93
SMP1825	SPCM • SPCP1825	148	223	140.5

- Customization services (clinchng standoffs, hole milling, and others) available.
See website for more details.



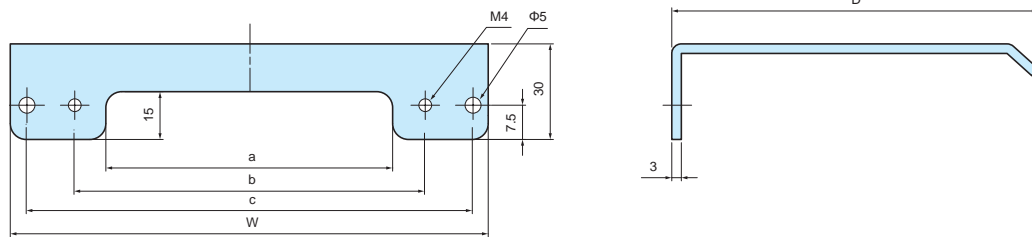
SR SERIES

OUTDOOR ROOF for SPCM • SPCP

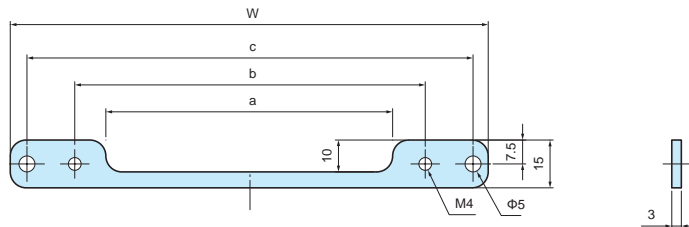


- Roof and spacer attachments are easily attached onto the enclosure using existing cover fastening holes.
- Recommended for outdoor environments for protection against rain, etc.

Roof



Spacer



Components

No.	Part name	Pcs	Material	Color / Finish
1	Roof	1	Aluminium A1050P t = 3.0mm	Light gray / Painted
2	Spacer	1	Aluminium A1050P t = 3.0mm	Light gray / Painted
-	Screw	4	Stainless steel	Unfinished
-	O-ring	4	NBR	Black

Product no. / Dimensions

Product no.	W	D	a	b	c	Suitable box
SR0808	100	90	50	60	90	SPCM • SPCP 081308
SR0810	100	115	50	60	90	SPCM • SPCP 081310
SR0813	100	140	50	60	90	SPCM • SPCP 081313
SR1308	150	90	90	110	140	SPCM • SPCP 131308 131808
SR1310	150	115	90	110	140	SPCM • SPCP 131310 131810
SR1313	150	140	90	110	140	SPCM • SPCP 131313 131813
SR1315	150	165	90	110	140	SPCM • SPCP 131815
SR1808	200	90	140	160	190	SPCM • SPCP 181808 182508
SR1810	200	115	140	160	190	SPCM • SPCP 181810 182510
SR1813	200	140	140	160	190	SPCM • SPCP 181813
SR1815	200	165	140	160	190	SPCM • SPCP 181815 182515

STB SERIES

TERMINAL BLOCK

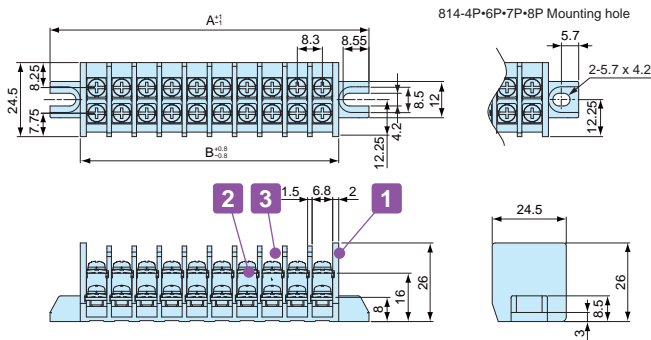


■ Terminal block for SPCM • SPCP series.

Components

No.	Part name	Pcs	Material	Color / Finish
1	Base	1	PBT (UL94V-0)	Black
2	Terminal	1	Brass	Nickel plated
3	Terminal screw	2 x P	Steel	Nickel plated
-	Mounting screw	4	Steel	Trivalent chromate

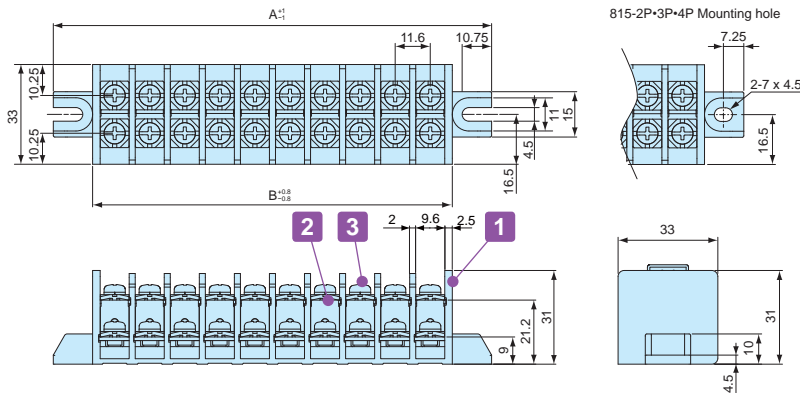
STB-814



Specification

1. Electrical Rating 300V 30A
2. Insulation Resistance DC500V 1000MΩ ~
3. Withstand Voltage AC2500V (Tested for 1 min.)
4. Operating Temp. Range -25°C ~ +80°C
5. Storage Temp. Range -25°C ~ +80°C

STB-815



Specification

1. Electrical Rating 300V 30A
(600V 30A JIS IEC compliant)
2. Insulation Resistance DC500V 1000MΩ ~
3. Withstand Voltage AC2500V (Tested for 1 min.)
4. Operating Temp. Range -25°C ~ +80°C
5. Storage Temp. Range -25°C ~ +80°C

Product no. / Dimensions

Product no.	P (Number of poles)	A	B	Suitable SPCM • SPCP box W x D dimensions
STB814- 3P	3	47.4	27.4	75×125
STB814- 4P	4	55.7	35.7	100×100
STB814- 6P	6	72.3	52.3	175×175
STB814- 7P	7	80.6	60.6	100×100
STB814- 8P	8	88.9	68.9	75×125, 125×125
STB814- 9P	9	97.2	77.2	125×125, 125×175, 175×250
STB814-10P	10	105.5	85.5	125×175, 175×250
STB815- 2P	2	52.2	26.2	75×125
STB815- 3P	3	63.8	37.8	100×100
STB815- 4P	4	75.4	49.4	125×125
STB815- 6P	6	98.6	72.6	125×125, 125×175, 175×250
STB815-10P	10	145	119	175×175, 175×250

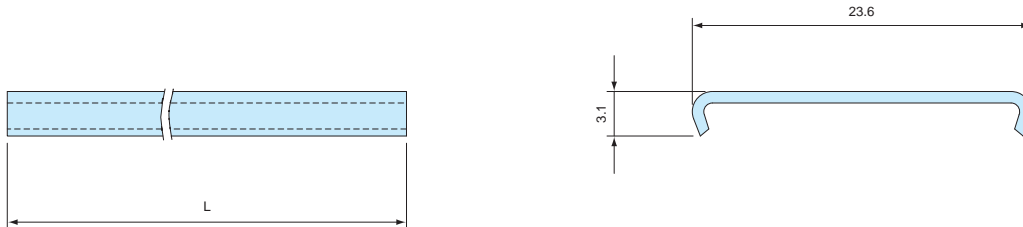
STC SERIES

TERMINAL COVER

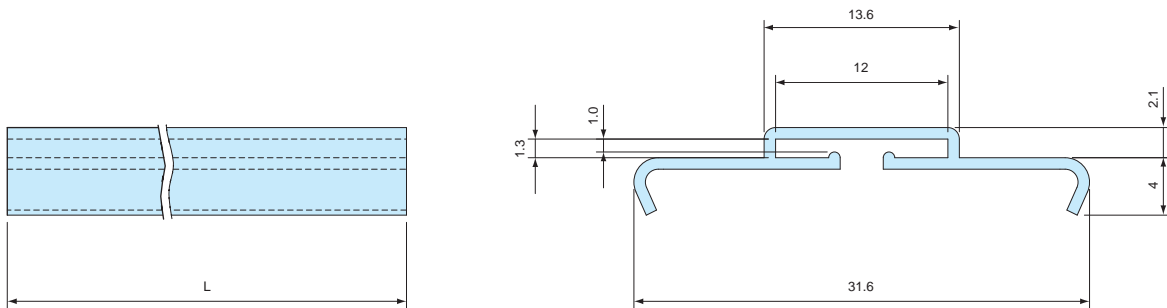


- Terminal cover for STB terminal block.
- Use for protecting terminals.

STC814



STC815



■ Material / Color : Polycarbonate t=0.8mm / Transparent

Product no. / Dimensions

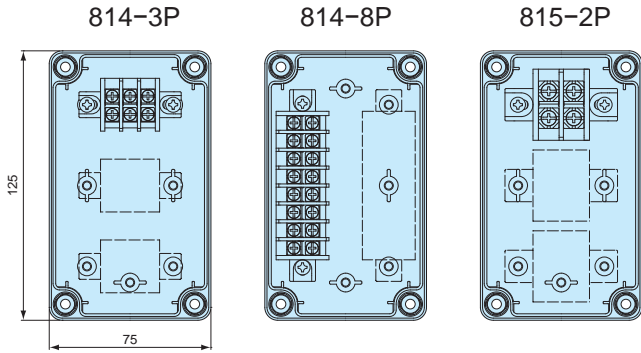
Product no.	P (Number of poles)	L	Compatible terminal
STC814- 3P	3	22.4	STB814- 3P
STC814- 4P	4	30.7	STB814- 4P
STC814- 6P	6	47.3	STB814- 6P
STC814- 7P	7	55.6	STB814- 7P
STC814- 8P	8	63.9	STB814- 8P
STC814- 9P	9	72.2	STB814- 9P
STC814-10P	10	80.5	STB814-10P
STC815- 2P	2	20.2	STB815- 2P
STC815- 3P	3	31.8	STB815- 3P
STC815- 4P	4	43.4	STB815- 4P
STC815- 6P	6	66.6	STB815- 6P
STC815-10P	10	113.0	STB815-10P

STB TERMINAL BLOCK MOUNTING POSITION

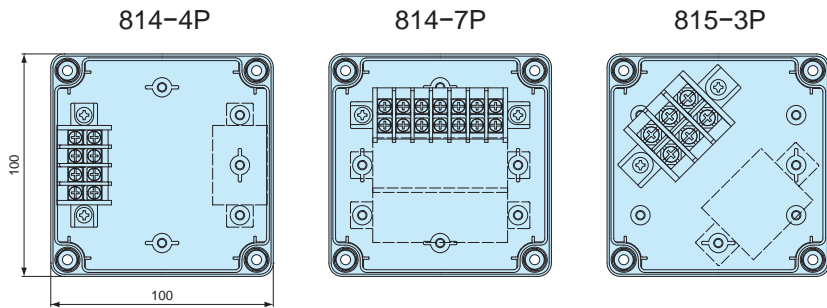
■ Drawings below are reference examples only.
DXF/DWG/PDF drawings available on our website.

■ Terminals can be installed in the area with dotted lines.

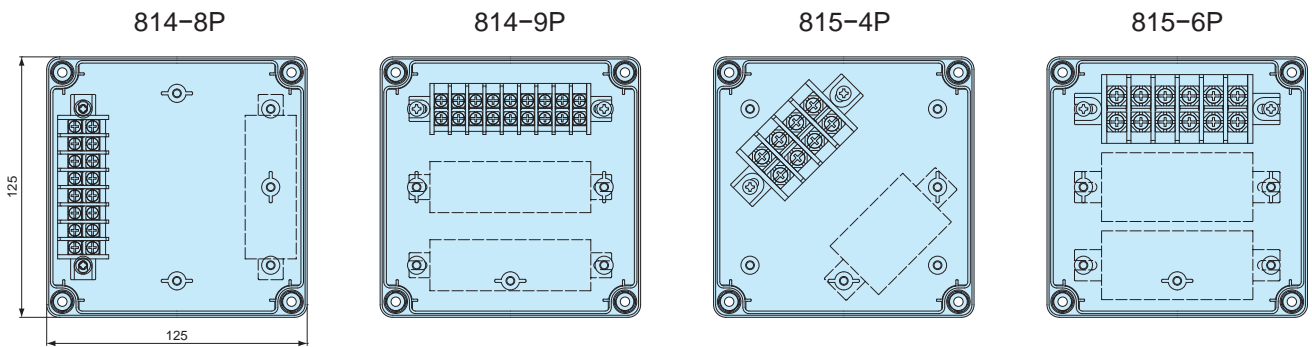
Suitable box SPCM/SPCP 081305 • 081306 • 081308 • 081310 • 081313



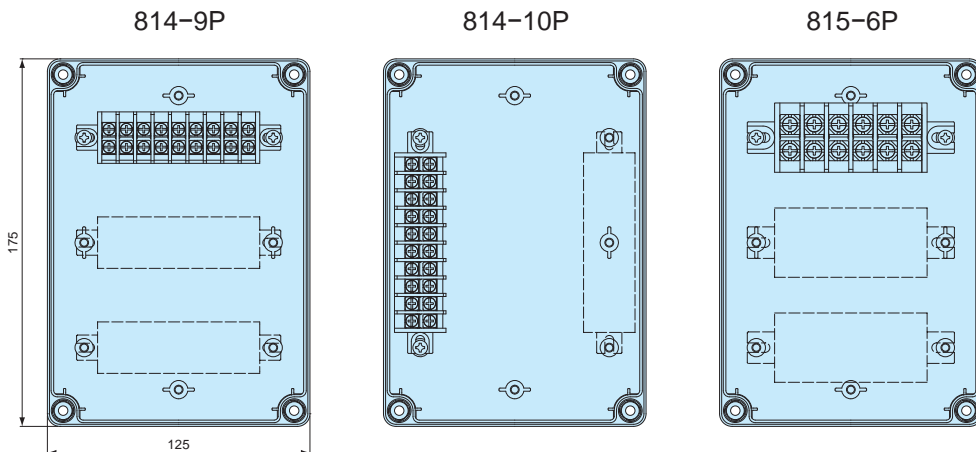
Suitable box SPCM/SPCP 101006



Suitable box SPCM/SPCP 131305 • 131306 • 131308 • 131310 • 131313



Suitable box SPCM/SPCP 131805 • 131806 • 131808 • 131810 • 131813 • 131815



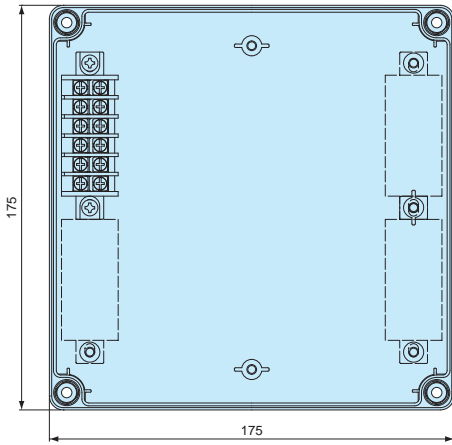
STB TERMINAL BLOCK MOUNTING POSITION

■ Drawings below are reference examples only.
DXF/DWG/PDF drawings available on our website.

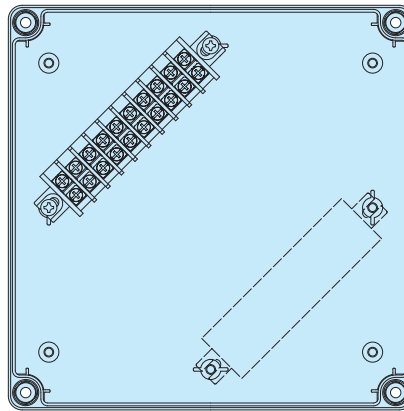
■ Terminals can be installed in the area with dotted lines.

Suitable box SPCM/SPCP 181808 • 181810 • 181813 • 181815

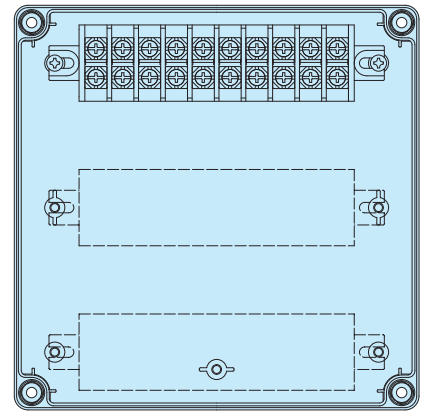
814-6P



814-10P

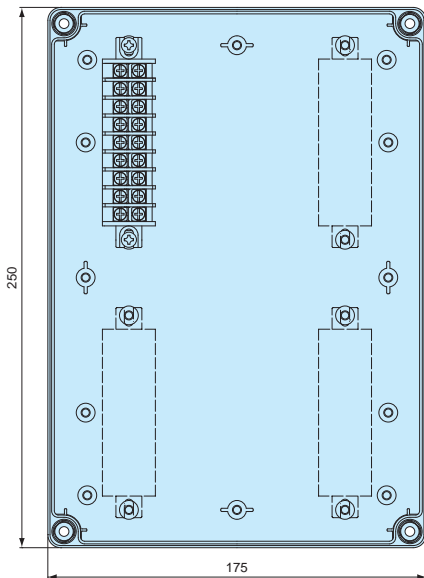


815-10P

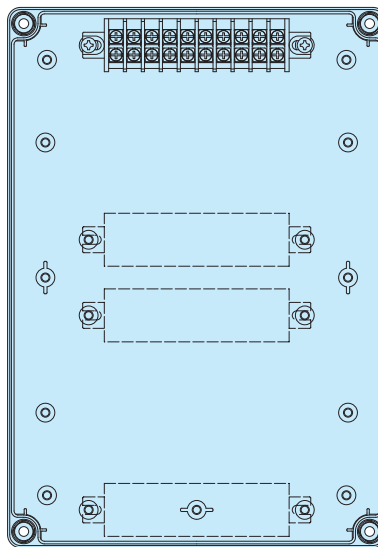


Suitable box SPCM/SPCP 182508 • 182510 • 182515

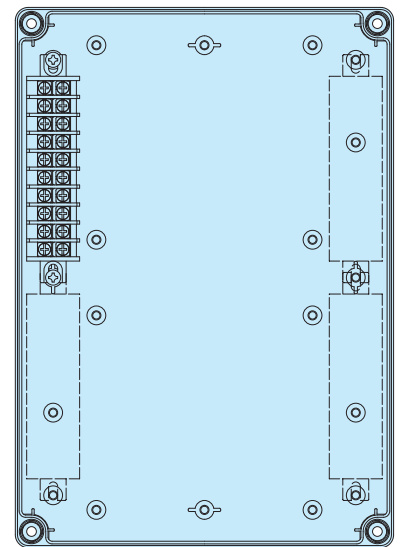
814-9P



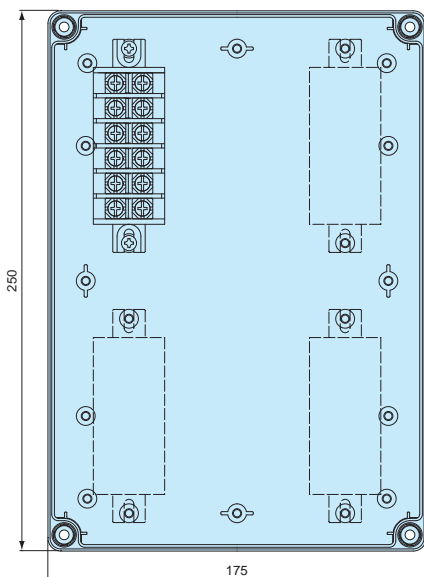
814-10P



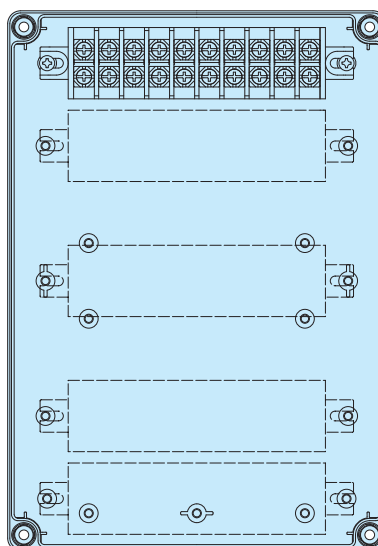
814-10P



815-6P

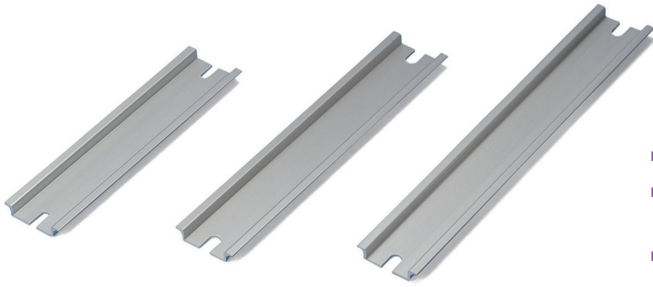


815-10P

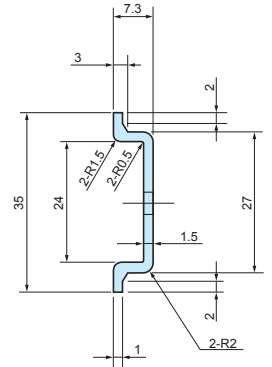
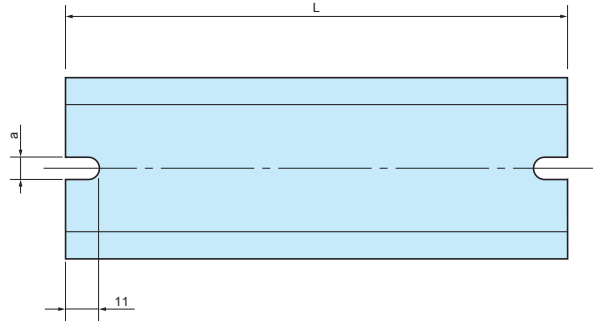
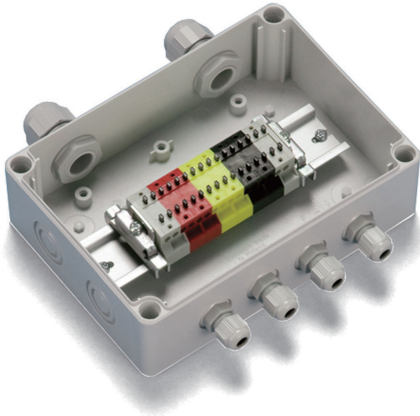


FDR SERIES

DIN-RAIL



- DIN rail for installation of terminals, relays or switches inside enclosures.
- Available in different models and lengths to fit a wide variety of mounting boss pitch.
- FDR-1000 is available if customized length is required.



Feature

Material	Finish
Extruded Aluminium A6063S-T5	Silver anodized

Product no. / Dimensions

Product no.	L	a	Matching boss pitch
FDR- 50	50	4.2	32 ~ 42
57	57	4.2	39 ~ 49
66	66	4.2	48 ~ 58
77	77	4.2	59 ~ 69
80	80	4.2	62 ~ 72
87	87	4.2	69 ~ 79
92	92	4.2	74 ~ 84
100	100	4.2	82 ~ 92
106	106	4.2	88 ~ 98
110	110	4.2	92 ~ 102
120	120	4.2	102 ~ 112
128	128	4.2	110 ~ 120
137	137	4.2	119 ~ 129
142	142	4.2	124 ~ 134
146	146	4.2	128 ~ 138
150	150	4.2	132 ~ 142
168	168	4.2	150 ~ 160
170	170	4.2	152 ~ 162
186	186	4.2	168 ~ 178
202	202	4.2	184 ~ 194
205	205	4.2	187 ~ 197
223	223	4.2	205 ~ 215
226	226	4.2	208 ~ 218
235	235	4.2	217 ~ 227
242	242	4.2	224 ~ 234
249	249	4.2	231 ~ 241
283	283	4.2	265 ~ 275
300	300	4.2	282 ~ 292
350	350	4.2	332 ~ 342
450	450	4.2	432 ~ 442
550	550	4.2	532 ~ 542

Product no.	L	a	Matching boss pitch
FDR-B102	102	6.5	86 ~ 92
NEW B124	124	6.5	108 ~ 114
B142	142	6.5	126 ~ 132
B160	160	6.5	144 ~ 150
B165	165	6.5	149 ~ 155
B176	176	6.5	160 ~ 166
B183	183	6.5	167 ~ 173
B223	223	6.5	207 ~ 213
B260	260	6.5	244 ~ 250
B283	283	6.5	267 ~ 273
B303	303	6.5	287 ~ 293
B338	338	6.5	322 ~ 328
B360	360	6.5	344 ~ 350
B376	376	6.5	360 ~ 366
B383	383	6.5	367 ~ 373
B463	463	6.5	447 ~ 453
B560	560	6.5	544 ~ 550
B623	623	6.5	607 ~ 613
FDR-1000	1000	—	—

■ FDR-1000 does not have mounting holes.
 Cross out products are scheduled to be discontinued from Q2 2021.

Matching DIN-Rail Chart

BC□□ series

Product no.	Matching DIN-Rail
091207	FDR - 80
091208	80
101507	110
101508	110
112107	170
112110	170
112607	223
112610	223
BCAP	
BCPC	
BCPK	
BCAR	
BCPR	
131508	120
131808	150
131810	150
151509	120
151512	120
162110	170
162113	170
162610	223
162613	223
172211	170
172711	223

BDN series

Product no.	Matching DIN-Rail
6- 8- 5	FDR - 50
7-10- 4	-
9- 9- 6	FDR - 80
9-13- 5	120
10-14- 7	128
11-16- 6	150
12-22- 8	205
16-26- 9	242

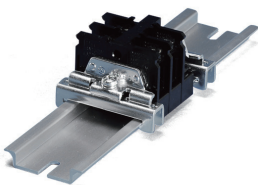
BCAS series

Product no.	Matching DIN-Rail
071005	FDR - 92
080806	66
081104	92
081107	92
081108	92
081110	92
081307	110
081308	110
081807	168
081808	168
082507	235
082508	235
101007	77
101010	77
101807	150
102007	170
102307	202
121207	80
121210	80
141709	146
142309	205
151507	120
151510	120
152004	170
152007	170
152010	170
152013	170
152016	170
152510	226
152513	226
161607	137

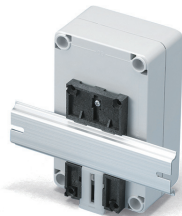
SPCM • SPCP series

Product no.	Matching DIN-Rail
081304	FDR - 50/100
081305	50/100
081306	50/100
081308	50/100
081310	50/100
081313	50/100
101004	80
101006	80
131304	100
131305	100
131306	100
131308	100
131310	100
131313	100
SPCM	
SPCP	
131804	100/150
131805	100/150
131806	100/150
131808	100/150
131810	100/150
131813	100/150
131815	100/150
181808	150
181810	150
181813	150
181815	150
182508	150/223
182510	150/223
182515	150/223

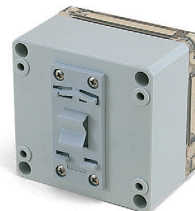
Accessories (Optional parts)



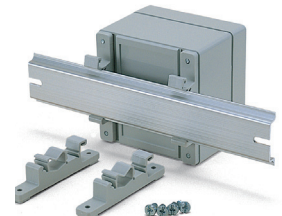
DIN-Rail stopper bracket TKR series
See page DIN-ACC-2



DIN-Rail mounting base DRA series
See page DIN-ACC-1



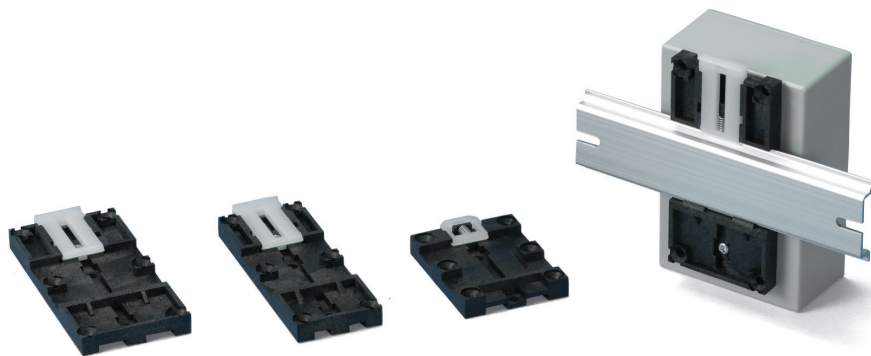
DIN-Rail mounting base DRT series
See page DIN-ACC-1



DIN-Rail mounting feet CKD series
See page DIN-ACC-2

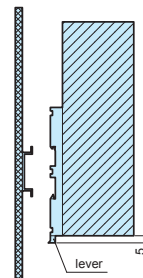
DRA SERIES

DIN-RAIL MOUNTING BASE



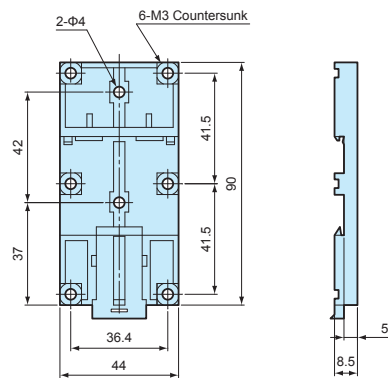
■ **NOTE**

Before installation, please ensure that the lever is not fully hidden behind the enclosure.

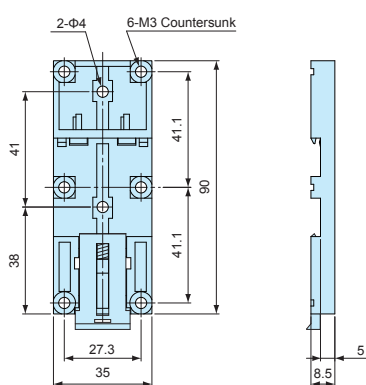


- For installation of enclosures, PCB and other parts onto a DIN rail.
- Simple installation and removal via the pull lever.

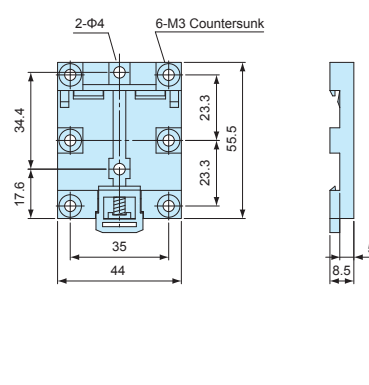
DRA-1



DRA-2



DRA-3

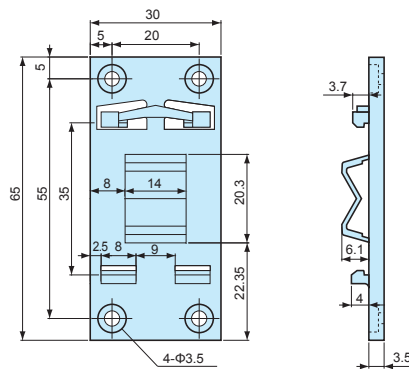
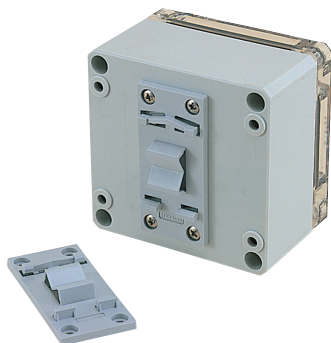


Product no. / Dimensions

Product no.	Material (body)	Material (lever)	Color	Weight (g)	Max load (kg)
DRA-1	PPE : SB UL94V-1	Nylon 66 UL94V-2	Black : Milky white	16.4	5
DRA-2	PPE : SB UL94V-1	Nylon 66 UL94V-2	Black : Milky white	14.5	5
DRA-3	PPE : SB UL94V-1	Nylon 66 UL94V-2	Black : Milky white	10.4	5

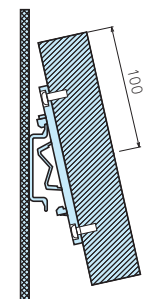
DRT SERIES

DIN-RAIL MOUNTING BASE



■ **NOTE**

Before installation, please ensure that the length (from top) of the enclosure is equal to, or less than 100mm from the center of the mounting base.



- For installation of enclosures, PCB and other parts onto a DIN rail.
- Simple installation and removal by tilting the case at an angle and sliding it in/out.

Product no. / Dimensions

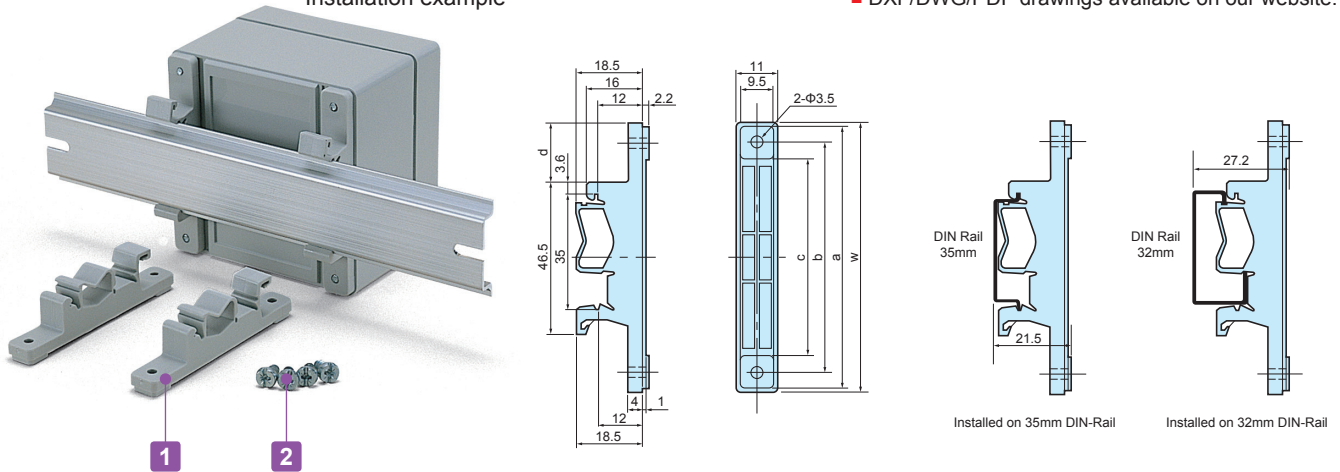
Product no.	Material	Color	Weight (g)	Max load (kg)
DRT-1	PBT UL94V-0	Light gray	7.3	1

CKD SERIES

DIN-RAIL MOUNTING FEET

Installation example

■ DXF/DWG/PDF drawings available on our website.



■ Mounting feet for installation of enclosures, PCB and other parts onto a DIN rail. Can be easily detached.

Technical Data
Max load : 3kg

Components

No.	Part name	Pcs	Material	Color / Finish
1	Mounting feet	2	Polyamide	White gray
2	Screw (special type 4.2 x 9.5)	4	Screw	Unichrome plated

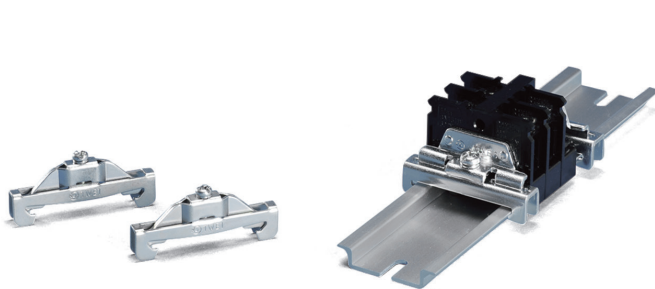
Product no. / Dimensions

Product no.	W	a	b	c	d	Pack of
CKD- 80	77	75	66	56	17	2
CKD-120	117	115	106	96	37	2
CKD-160	157	155	147	136	57	2

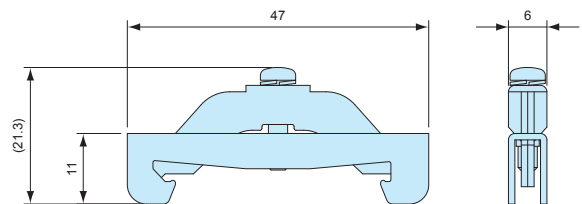
TKR SERIES

DIN-RAIL TERMINAL BLOCKS END STOPPER

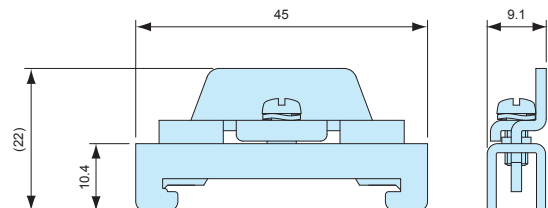
■ DXF/DWG/PDF drawings available on our website.



TKR-TWE1



TKR-JTXE3



- Stopper bracket for use with 35mm DIN-rail to keep an attachment at a fixed location.
- TKR-TWE1 is used with small DIN rail attachment parts. For larger/higher attachment parts, TKR-JTXE3 is recommended for providing additional support.

Product no. / Feature

Product no.	Material	Color / Finish	Pack of
TKR-TWE1	Steel sheet	Trivalent chromate	2
TKR-JTXE3	Steel sheet	Trivalent chromate	2

SSK SERIES

POLE MOUNTING BRACKET

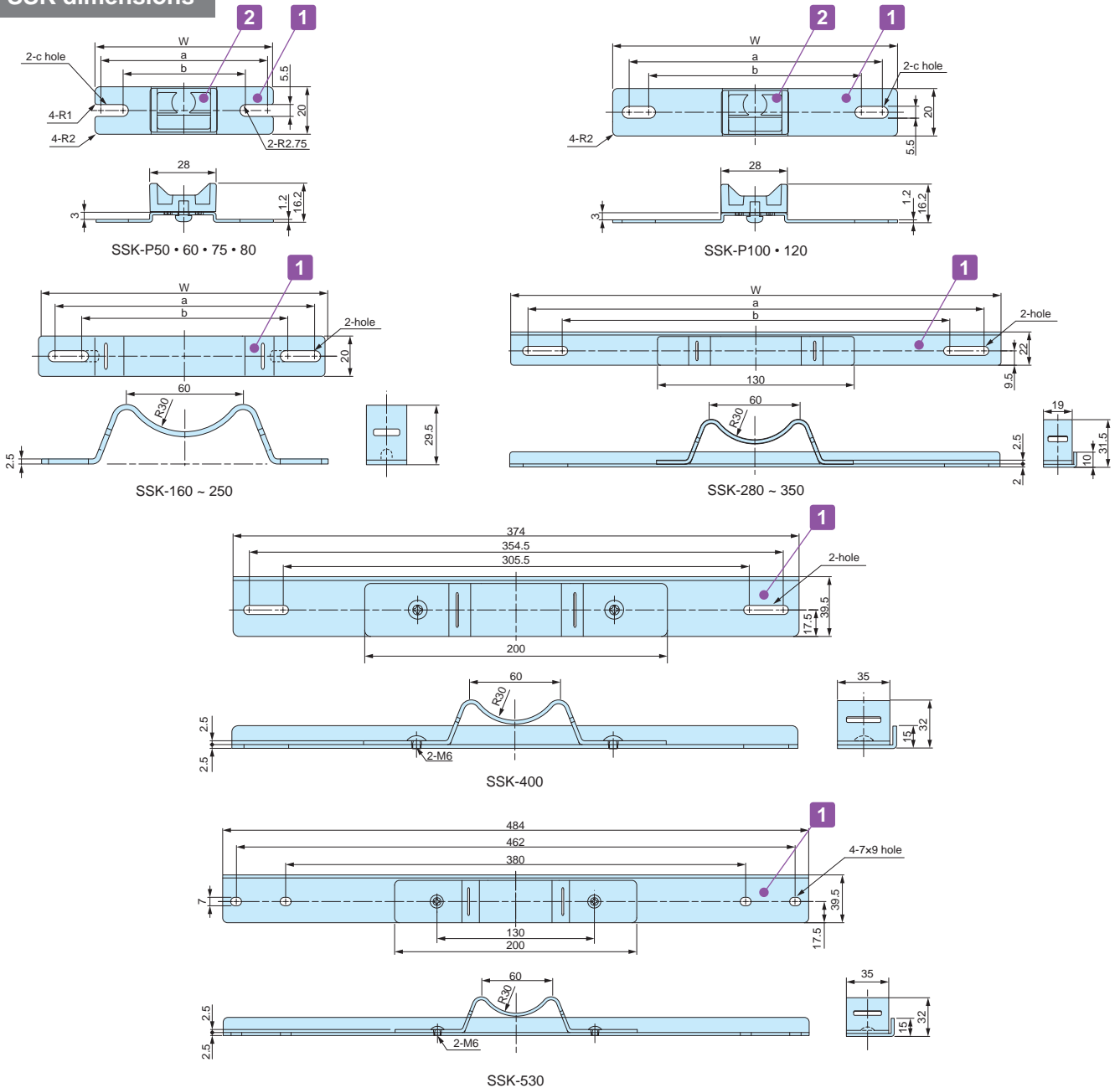


- Stainless steel pole mounting bracket for SPCM • SPCP and BCAL • BCAS series.
- Easy pole mount with the use of SSK-B mounting screw and PKB mounting belt.
- DXF/DWG/PDF drawings available on our website.
- SSK-P models includes plastic mounting brackets.



PKB series

SSK dimensions



SSK-1

Components

No.	Part name	Pcs	Material	Color / Finish
1	Bracket	2	Stainless steel SUS304	Barrel finish
2	Plastic bracket (SSK-P models only)	2	ASA UL94HB	White gray

■ Screws included with SSK brackets are for BCAP • BCAR • BCPK • BCPR series use only. For other series, please utilize SSK-B screw set.

Product no. / Dimensions

Product no.	W	a	b	c	Suitable mounting belt	Pack of
SSK-P50	50	44.5	37.5	5.5x 9	PKB-10PM, 10P PKB-10S	2
SSK-P60	60	54.5	47.5	5.5x 9	PKB-10PM, 10P PKB-10S	2
SSK-P75	75	69.5	55.5	5.5x12.5	PKB-10PM, 10P PKB-10S	2
SSK-P80	80	74.5	64.5	5.5x10.5	PKB-10PM, 10P PKB-10S	2
SSK-P100	100	88.1	76.5	5.5x11.3	PKB-10PM, 10P PKB-10S	2
SSK-P120	120	106.5	88.5	5.5x14.5	PKB-10PM, 10P PKB-10S	2
SSK-160	142	129.5	106.5	-	PKB-10PM, 10P PKB-10S	2
SSK-170	152	142.3	101	-	PKB-10PM, 10P PKB-10S	2
SSK-200	174	161.5	112.5	-	PKB-10PM, 10P PKB-10S	2
SSK-210	192	180.5	131.5	-	PKB-10PM, 10P PKB-10S	2
SSK-250	230	215.5	166.5	-	PKB-10PM, 10P PKB-10S	2
SSK-280	260	244.5	195.5	-	PKB-10PM, 10P PKB-10S	2
SSK-300	280	264.5	215.5	-	PKB-10PM, 10P PKB-10S	2
SSK-350	324	302.5	253.5	-	PKB-10PM, 10P PKB-10S	2
SSK-400	374	354.5	305.5	-	PKB-20S	2
SSK-530	484	462	380	7x9	PKB-20S	2

SSK-B SERIES

MOUNTING SCREW SET for SSK



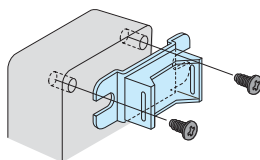
- Mounting screw set for use with SSK pole mounting bracket.
- See chart on page SSK-3 for appropriate bracket/screw/box combination.
- Material / Finish : Stainless steel / Unfinished.

Product no. / Dimensions

Product no.	Included screws	Suitable box	Pcs
SSK-B4-15N	M4-15 Pan head with nut	BCAS060905 ~ 212310	4
SSK-B4-25N	M4-25 Pan head with nut	SPCP • SPCM series	4
SSK-B5-10	M5-10 Pan head	BCAL series	4

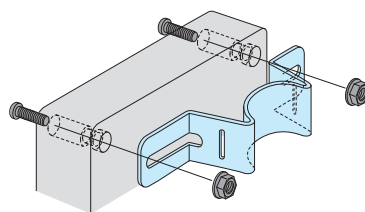
■ Installation Example

BCAS050604, 050605



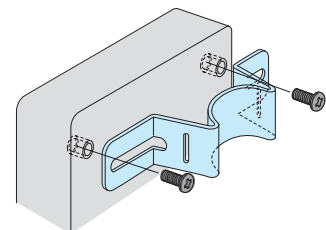
Use screws included with SSK-P

M4 / M5 Pan head with nut fastening



SSK-B4-15N SSK-B4-25N

Pan head screw into insert nut



SSK-B5-10

POLE MOUNTING BRACKET / SCREW SET MATCHING CHART

SPCM • SPCP series

	Box Product no.	SSK Product no.		Screw set Product no.
		Vertical mount	Horizontal mount	
SPCP SPCM	081304, 081305 081306, 081308 081310, 081313	SSK-P75	SSK-160	SSK-B4-25N
	101004, 101006	SSK-P100	SSK-P100	SSK-B4-25N
	131304, 131305 131306, 131308 131310, 131313	SSK-160	SSK-160	SSK-B4-25N
	131804, 131805 131806, 131808 131810, 131813, 131815	SSK-160	SSK-200	SSK-B4-25N
	181808, 181810 181813, 181815	SSK-200	SSK-200	SSK-B4-25N
	182508, 182510, 182515	SSK-200	SSK-280	SSK-B4-25N

BCAL series

	Box Product no.	SSK Product no.		Screw set Product no.
		Vertical mount	Horizontal mount	
BCAL	191913 ※	SSK-P120	SSK-200	SSK-B5-10
	192813, 192818	SSK-200	SSK-250	SSK-B5-10
	193813, 193818	SSK-200	SSK-350	SSK-B5-10
	282813	SSK-250	SSK-280	SSK-B5-10
	283413	SSK-280	SSK-280	SSK-B5-10
	283813, 283818	SSK-280	SSK-350	SSK-B5-10
	285613	SSK-280	SSK-530	SSK-B5-10
	385618	SSK-400	SSK-530	SSK-B5-10

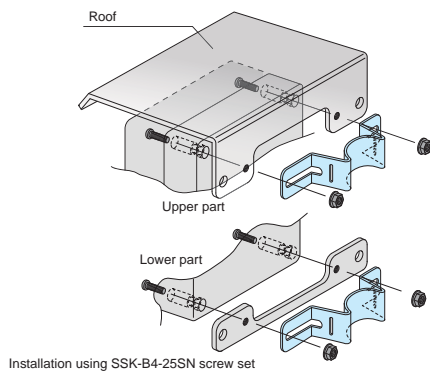
※Use screws included with SSK bracket for vertical mount

BCAS series

	Box Product no.	SSK Product no.		Screw set Product no.
		Vertical mount	Horizontal mount	
BCAS	050604, 050605	SSK-P50	SSK-P60	Use screws included with SSK bracket
	060905	SSK-P60	SSK-P100	SSK-B4-15N
	071005 ※	SSK-P75	SSK-P100	SSK-B4-15N
	080806	SSK-P75	SSK-P75	SSK-B4-15N
	081104, 081107 081108, 081110	SSK-P75	SSK-P120	SSK-B4-15N
	081307, 081308	SSK-P75	SSK-160	SSK-B4-15N
	081807, 081808	SSK-P75	SSK-210	SSK-B4-15N
	082507, 082508	SSK-P75	SSK-280	SSK-B4-15N
	101007, 101010	SSK-P100	SSK-P100	SSK-B4-15N
	101807	SSK-P100	SSK-210	SSK-B4-15N
	102007	SSK-P100	SSK-250	SSK-B4-15N
	102307	SSK-P100	SSK-250	SSK-B4-15N
	121207, 121210	SSK-P120	SSK-200	SSK-B4-15N
	141709	SSK-160	SSK-200	SSK-B4-15N
	142309	SSK-160	SSK-250	SSK-B4-15N
	151507, 151510	SSK-170	SSK-170	SSK-B4-15N
	152004, 152007 152020, 152013, 152016	SSK-170	SSK-250	SSK-B4-15N
	152510, 152513	SSK-170	SSK-280	SSK-B4-15N
	161607	SSK-170	SSK-170	SSK-B4-15N
	202010, 202013 202016, 202019	SSK-250	SSK-250	SSK-B4-15N
	212310	SSK-250	SSK-250	SSK-B4-15N

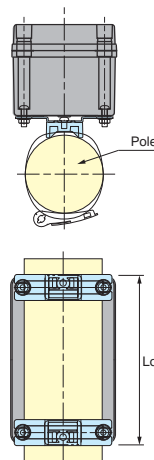
※Use screws included with SSK bracket for vertical mount

- For installation of SR series outdoor roof on SPCM • SPCP series SR series (For SPCM • SPCP - see page SPCM • SPCM-ACC-2)

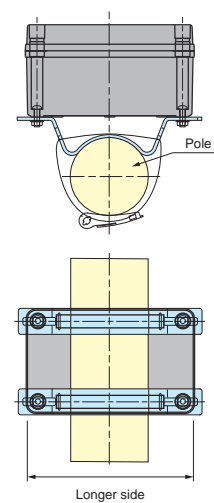


- Select SSK bracket depending on mounting type (Vertical or Horizontal).

Vertical mount
(Longer vertical side)



Horizontal mount
(Longer horizontal side)



WPMB-M4-3 SERIES

POLE MOUNTING BRACKET



- Pole mount bracket made from weather resistant ASA material.
- Suitable for both for vertical and horizontal mounting.
- Hole milling is required for bracket installation.
- IPX7 protection can be maintained through the use of sealing washers.
- Pole mount is possible with the use of PKB series mounting belt.

Components

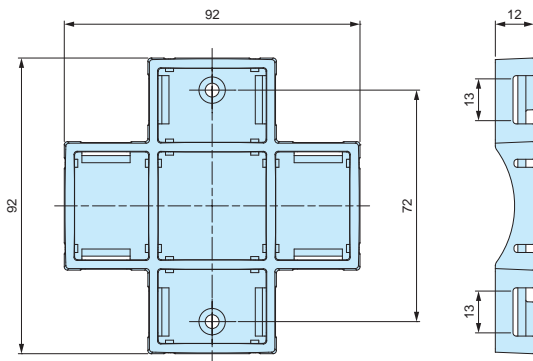
No.	Part name	Pcs	Material	Color / Finish
1	Bracket	1	ASA UL94HB	White gray • Dark gray
2	Sealing washer	2	NBR, SPCC	Black
3	Screw (M4-10 Pan head)	2	Stainless steel	Unfinished
4	Hexagonal nut (M4 x 3 types)	2	Stainless steel	Unfinished

Product no. / Dimensions

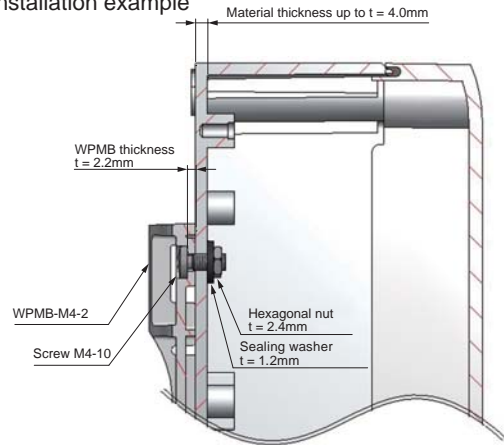
Product no.		Material thickness	Tightening torque	Tensile strength	Weight (g)
• White gray	• Dark gray				
WPMB-M4-3G	WPMB-M4-3D	Up to t = 4.0mm	0.45N • m	5 kg	26.5

■ Listed tightening torque values are for reference only. Actual required torque may differ.

■ DXF/DWG/PDF drawings available on our website.



Installation example



PKB SERIES

POLE MOUNTING BELT



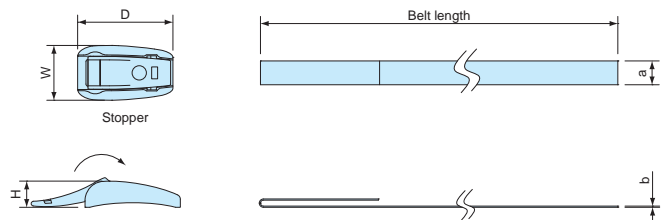
PKB-10PM, 10P



PKB-10S, 20S

- New shorter belt type PKB-10PM is available for $\Phi 25$ to $\Phi 60$ mm poles. Other belt types are for $\Phi 60$ to $\Phi 400$ mm poles.
- Designed for one time use only (not reusable).
- Strong stainless steel clamping type and easy installation plastic type are available.
- Use SSK • WPMB mounting bracket for installation onto a pole.

■ Drawings below are reference examples only. DXF/DWG/PDF drawings available on our website.



Components

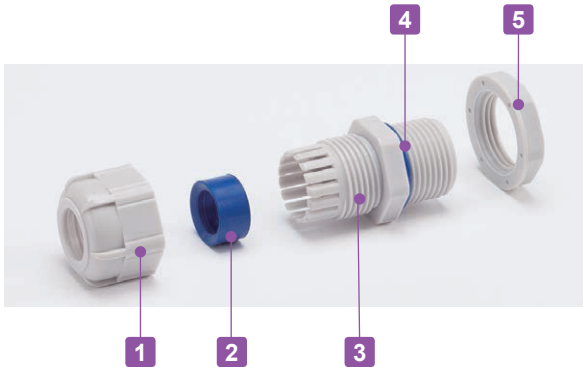
Part name	Pcs	Material	Color / Finish
Stopper	2	POM • Stainless steel SUS304	Black • Barrel finish
Belt	2	PET • Stainless steel SUS430	Gray • Bright Annealed finish

Product no. / Dimensions

Product no.	W	D	H	a	b	Belt material	Belt length	Tensile strength (horizontal)	Weight (g)	Pack of
NEW PKB-10PM	24	23	11	10	0.5	PET	500mm	0.8kN	14	2
PKB-10P	23	40	11	10	0.5	PET	1,500mm	1.3kN	31.8	2
PKB-10S	(16.5)	(49.5)	12	10	0.3	Stainless steel	1,500mm	1.4kN	101.6	2
PKB-20S	(27.4)	(49.5)	12	20	0.3	Stainless steel	1,500mm	2.9kN	182.2	2



- Weatherproof cable gland equipped with high ultraviolet and degradation resistant silicone sealing insert and O-ring.
- Recommended to use outdoors where waterproofing is critical.

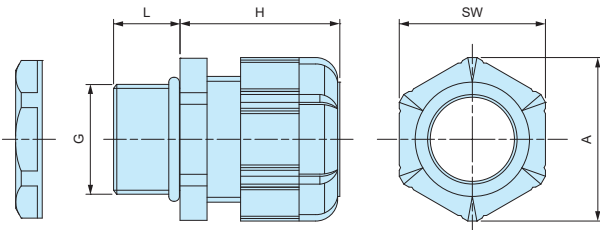


Components

■ PA = Polyamide

No.	Part name	Material
1	Cap	PA66 UL94V-2
2	Sealing insert	Silicone
3	Connector	PA66 UL94V-2
4	O-ring	Silicone
5	Nut	PA66 UL94V-2

RMW dimensions



Technical Data

Protection class: IP67
Operating temperature: -20°C ~ +80°C

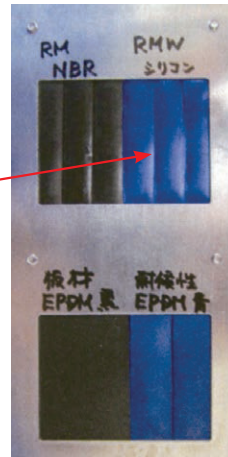
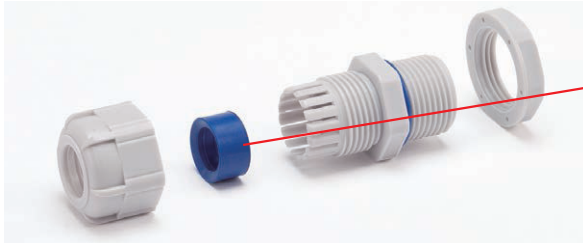
- DXF/DWG/PDF drawings available on our website.
- Lock nut is not included for RMW10S-6.
Please drill a proper thread hole into the enclosure for installation.

Product no. / Dimensions

Product no.		G		Cable range		L	H Max	SW	A	Pack of
● Black	● Light gray	Thread size	Mounting hole	Min	Max					
RMW8L-2.5B	RMW8L-2.5S	M8×1.25	Φ8.2	1	2.5	13	19.5	11.8	13.5	1
RMW8L-4B	RMW8L-4S	M8×1.25	Φ8.2	2.5	4	13	19.5	11.8	13.5	1
RMW10S-6B	RMW10S-6S	M10×1.5	—	3	6	8	20.5	13	14.4	1
RMW10L-6B	RMW10L-6S	M10×1.5	Φ10.2	3	6	13	20.5	13	14.4	1
RMW12S-7B	RMW12S-7S	M12×1.5	Φ12.2	3.5	7	9	20.5	16	17.6	1
RMW12L-7B	RMW12L-7S	M12×1.5	Φ12.2	3.5	7	14.5	20.5	16	17.7	1
RMW16S-8B	RMW16S-8S	M16×1.5	Φ16.2	4	8	9	23.5	19	21	1
RMW16L-8B	RMW16L-8S	M16×1.5	Φ16.2	4	8	15	24	19	21	1
RMW20S-12B	RMW20S-12S	M20×1.5	Φ20.2	6	12	10	29	24	26.2	1
RMW20L-12B	RMW20L-12S	M20×1.5	Φ20.2	6	12	15	28.5	24	26.2	1
RMW25L-17B	RMW25L-17S	M25×1.5	Φ25.2	11	17	15	35	33	36.2	1
RMW32L-21B	RMW32L-21S	M32×1.5	Φ32.3	13	21	15	38	36	39.5	1
RMW40L-27B	RMW40L-27S	M40×1.5	Φ40.3	18	27	18	43.5	45.7	50.5	1
RMW50L-38B	RMW50L-38S	M50×1.5	Φ50.4	27	38	20	50.5	60	66.5	1
RMW8L-2.5B-P	RMW8L-2.5S-P	M8×1.25	Φ 8.2	1	2.5	13	19.5	11.8	13.5	100
RMW8L-4B-P	RMW8L-4S-P	M8×1.25	Φ 8.2	2.5	4	13	19.5	11.8	13.5	100
RMW10L-6B-P	RMW10L-6S-P	M10×1.5	Φ10.2	3	6	13	20.5	13	14.4	100
RMW12S-7B-P	RMW12S-7S-P	M12×1.5	Φ12.2	3.5	7	9	20.5	16	17.6	100
RMW12L-7B-P	RMW12L-7S-P	M12×1.5	Φ12.2	3.5	7	14.5	20.5	16	17.7	100
RMW16S-8B-P	RMW16S-8S-P	M16×1.5	Φ16.2	4	8	9	23.5	19	21	100
RMW16L-8B-P	RMW16L-8S-P	M16×1.5	Φ16.2	4	8	15	24	19	21	100
RMW20S-12B-P	RMW20S-12S-P	M20×1.5	Φ20.2	6	12	10	29	24	26.2	100
RMW20L-12B-P	RMW20L-12S-P	M20×1.5	Φ20.2	6	12	15	28.5	24	26.2	100
RMW25L-17B-P	RMW25L-17S-P	M25×1.5	Φ25.2	11	17	15	35	33	36.2	100

RMW series silicone sealing insert weatherproof test report

Object: Cut into a piece of the silicone sealing insert from RMW series and attach it onto an aluminium plate.
 For comparison, NBR sealing insert from our RM and EPDM sealing insert from another manufacturer is also attached for comparison purposes.



Before



After

Testing conditions

Equipment : 7.5kW Super Xenon Weather Meter SX75 (Suga Test Instruments Co., Ltd.- <http://www.sugatest.co.jp/english/>)
Conditions : JIS B7754 : 1991

Testing with an authorized Xenon arc lamp weathering test equipment under the conditions denoted below.

Irradiance : 180W/m² at 300-400nm

Black Panel Temperature : 63±3°C Humidity Range : 50±10%

Cycle Conditions : 120 minutes cycle (18 minutes irradiation + water spray - 102 minutes irradiation)

2,000 hours (equivalent to a period of 4 years under natural conditions)

Time period :

Total radiant exposure : 1296MJ/m²

Test result (visual / touch inspection)

Silicone sealing insert material : No cracks, no gloss transition, no powder - no appearance change at all. Flexibility remains unchanged.

Before



After



NBR material from our RM series : Lost glossiness on the surface and material is stiffened.

Before

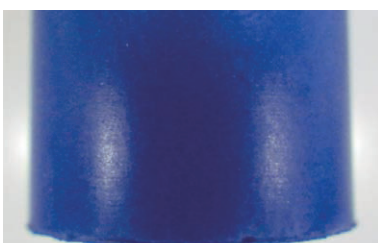


After

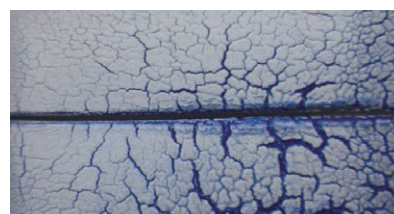


EPDM material from weatherproof cable gland of another manufacturer : Cracked, color drastically faded and powder appeared on the surface.

Before

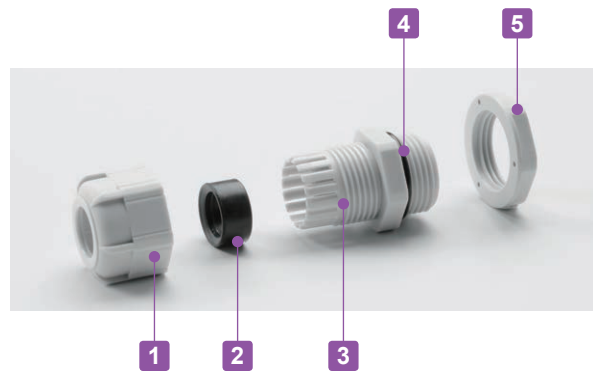


After



RM SERIES

POLYAMIDE CABLE GLAND



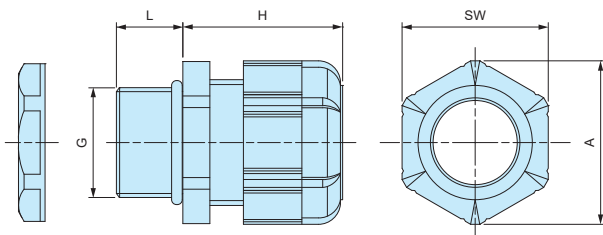
- Low cost cable glands made from polyamide material.
- Wide selection, for M8 ~ M63, suitable for $\Phi 1\text{mm} \sim \Phi 44\text{ mm}$ cable.
- High oil resistant NBR rubber sealing and O-ring.
- IP67 protection class.

Components

■ PA = Polyamide

No.	Part name	Material
1	Cap	PA66 UL94V-2
2	Sealing insert	NBR
3	Connector	PA66 UL94V-2
4	O-ring	NBR
5	Lock nut	PA66 UL94V-2

RM dimensions



Technical Data

Protection class: IP67
Operating temperature: -20°C ~ +80°C

- DXF/DWG/PDF drawings available on our website.
- Lock nut is not included for RM8S-2.5, 8S-4, and 10S-6 models.
Please drill a proper thread hole into the enclosure for installation.

Product no. / Dimensions

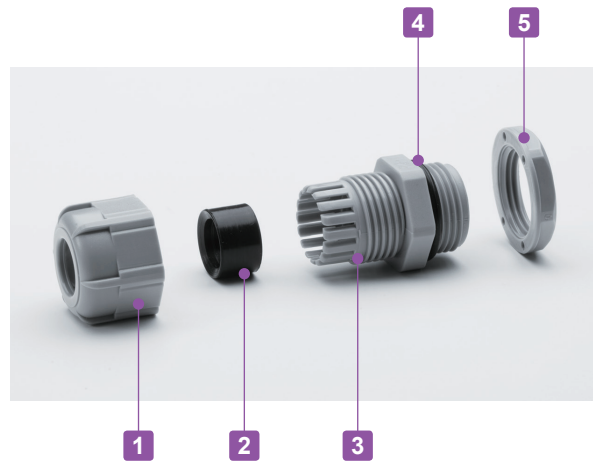
Product no.		G		Cable range		L	H Max	SW	A	Pack of
● Black	● Light gray	Thread size	Mounting hole	Min	Max					
RM8S-2.5B	RM8S-2.5S	M8×1.25	—	1	2.5	7.5	19.5	11.8	13.5	1
RM8L-2.5B	RM8L-2.5S	M8×1.25	Φ8.2	1	2.5	13	19.5	11.8	13.5	1
RM8S-4B	RM8S-4S	M8×1.25	—	2.5	4	7.5	19.5	11.8	13.5	1
RM8L-4B	RM8L-4S	M8×1.25	Φ8.2	2.5	4	13	19.5	11.8	13.5	1
RM10S-6B	RM10S-6S	M10×1.5	—	3	6	8	20.5	13	14.4	1
RM10L-6B	RM10L-6S	M10×1.5	Φ10.2	3	6	13	20.5	13	14.4	1
RM12S-7B	RM12S-7S	M12×1.5	Φ12.2	3.5	7	9	20.5	16	17.6	1
RM12L-7B	RM12L-7S	M12×1.5	Φ12.2	3.5	7	14.5	20.5	16	17.7	1
RM16S-8B	RM16S-8S	M16×1.5	Φ16.2	4	8	9	23.5	19	21	1
RM16L-8B	RM16L-8S	M16×1.5	Φ16.2	4	8	15	24	19	21	1
RM20S-12B	RM20S-12S	M20×1.5	Φ20.2	6	12	10	29	24	26.2	1
RM20L-12B	RM20L-12S	M20×1.5	Φ20.2	6	12	15	28.5	24	26.2	1
RM25L-17B	RM25L-17S	M25×1.5	Φ25.2	11	17	15	35	33	36.2	1
RM32L-21B	RM32L-21S	M32×1.5	Φ32.3	13	21	15	38	36	39.5	1
RM40L-27B	RM40L-27S	M40×1.5	Φ40.3	18	27	18	43.5	45.7	50.5	1
RM50L-38B	RM50L-38S	M50×1.5	Φ50.4	27	38	20	50.5	60	66.5	1
RM63L-44B	RM63L-44S	M63×1.5	Φ63.4	37	44	20	53	68	75.5	1
RM8L-2.5B-P	RM8L-2.5S-P	M8×1.25	Φ8.2	1	2.5	13	19.5	11.8	13.5	100
RM8L-4B-P	RM8L-4S-P	M8×1.25	Φ8.2	2.5	4	13	19.5	11.8	13.5	100
RM10L-6B-P	RM10L-6S-P	M10×1.5	Φ10.2	3	6	13	20.5	13	14.4	100
RM12S-7B-P	RM12S-7S-P	M12×1.5	Φ12.2	3.5	7	9	20.5	16	17.6	100
RM12L-7B-P	RM12L-7S-P	M12×1.5	Φ12.2	3.5	7	14.5	20.5	16	17.7	100
RM16S-8B-P	RM16S-8S-P	M16×1.5	Φ16.2	4	8	9	23.5	19	21	100
RM16L-8B-P	RM16L-8S-P	M16×1.5	Φ16.2	4	8	15	24	19	21	100
RM20S-12B-P	RM20S-12S-P	M20×1.5	Φ20.2	6	12	10	29	24	26.2	100
RM20L-12B-P	RM20L-12S-P	M20×1.5	Φ20.2	6	12	15	28.5	24	26.2	100
RM25L-17B-P	RM25L-17S-P	M25×1.5	Φ25.2	11	17	15	35	33	36.2	100

RPG SERIES

POLYAMIDE CABLE GLAND

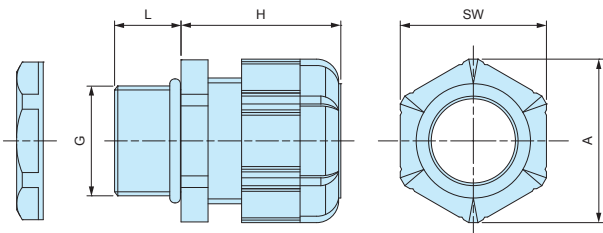


IP67



- Inexpensive cable glands made from polyamide material with PG threading.
- High oil resistant NBR rubber sealing and O-ring.
- IP67 protection class.

RPG dimensions



- DXF/DWG/PDF drawings available on our website.

Components

■ PA = Polyamide

No.	Part name	Material
1	Cap	PA66 UL94V-2
2	Sealing insert	NBR
3	Connector	PA66 UL94V-2
4	O-Ring	NBR
5	Lock-nut	PA66 UL94V-2

Technical Data

Protection class: IP67
Operating temperature: -20°C ~ +80°C

Product no. / Dimensions

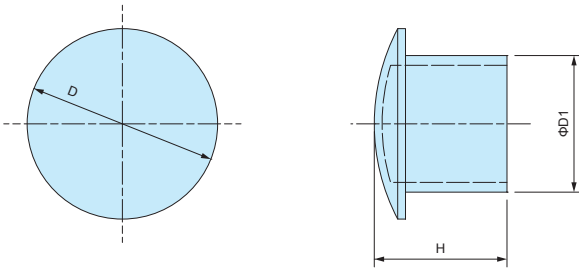
Product no.		G			Cable range		L	H Max	SW	A	Pack of
● Black	● Gray	Thread size	Thread dia.	Mounting hole	Min	Max					
RPG7-7B	RPG7-7G	PG7	12.5	Φ12.7	3	7	9	20.5	16	17.7	1
RPG9-8B	RPG9-8G	PG9	15.2	Φ15.4	4	8	9	23.5	19	21	1
RPG11-10B	RPG11-10G	PG11	18.6	Φ18.8	5	10	9	26	22	24	1
RPG13.5-11B	RPG13.5-11G	PG13.5	20.4	Φ20.6	6	11	10	29	24	26.4	1
RPG16-14B	RPG16-14G	PG16	22.5	Φ22.7	8	14	10	30	26.7	29.5	1
RPG21-18B	RPG21-18G	PG21	28.3	Φ28.5	13	18	12	35	33	36.5	1
RPG29-25B	RPG29-25G	PG29	37	Φ37.2	18	25	12	41.5	42	46.5	1

SP SERIES

SEALING PLUG



SP dimensions



■ Material : Nylon

- Sealing plug for cable glands when not in use.
- Maintain a waterproof seal when plugged into the sealing insert on cable glands.

Product no. / Dimensions

Product no.	D	D1	H	Suitable cable glands	Pack of
SP-12	10.2	6	15.5	RMW12, RM12, RMW16, RM16, RPG7, RPG9	10
SP-16	15.6	9.5	15.5	RMW20, RM20, RPG11, RPG13.5	10
SP-20	19.6	13.5	16.5	RPG16	10
SP-25	24.4	17.5	17	RMW25, RM25, RMW32, RM32, RPG21	5
SP-40	32.5	24.5	17.5	RMW40, RM40, RPG29	5
SP-50	47.2	38.9	17.6	RMW50, RM50	5

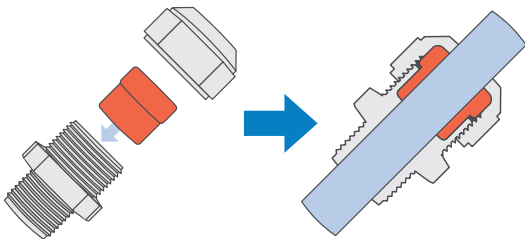


- High water protection IP68 (1bar / 30min) polyamide cable gland.
- Wide selection, for M8 ~ M50, suitable for $\Phi 2.5\text{mm} \sim \Phi 42\text{mm}$ cable.
- Super tough and superior heat resistant PA6GF (glass fiber filled PA6) material on cap and connector.
- Safer halogen free, eco-friendly product.

Technical Data
Protection class: IP68 1bar / 30min
Operating temperature: -20°C ~ +100°C
Compliant with EN50262 Ver. A

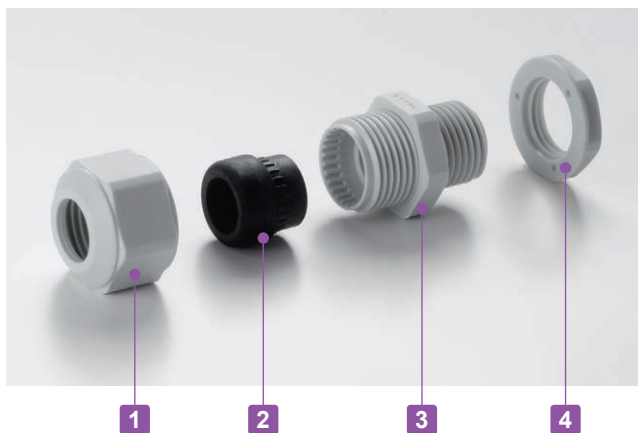
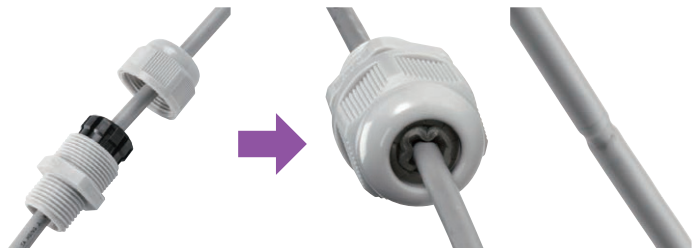
AG Series

Thicker sealing insert evenly hold a cable by having a larger holding area.
Remains durable even after repeated tightening / loosening.



Lamellar insert type

If over-tightened, it can cause the rubber bush or cable to deform, which can allow water to seep in.



Components

■ PA6GF = Polyamide6 Glass Fiber Filled

No.	Part name	Material
1	Cap	PA6GF
2	Sealing insert	TPE
3	Connector	PA6GF
4	Lock nut	PA6

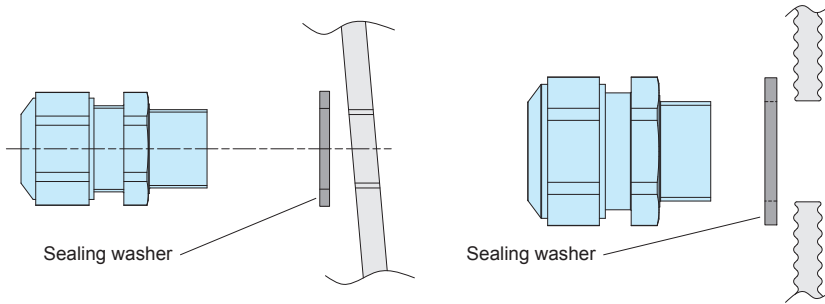
■ Lock nut is not included for M8 and M10 sizes.
Please drill a proper thread hole into the enclosure for installation.

- Proper tightening torque varies by each cable diameter. Tighten the cap until top of the sealing insert forms a small bead between the cap and the cable.



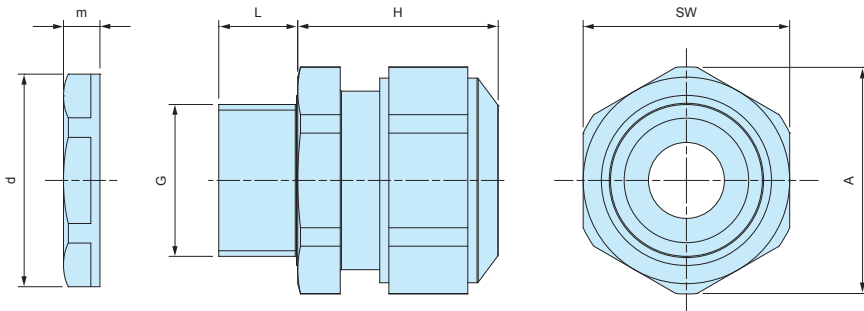
■ No optional sealing washer is required when installing on an even surface because of the built-in waterproof rib.

■ An optional sealing washer is required when installing on an uneven surface. (See page AGP-1 for more information on the optional sealing washer)



AG dimensions

■ DXF/DWG/PDF drawings available on our website.



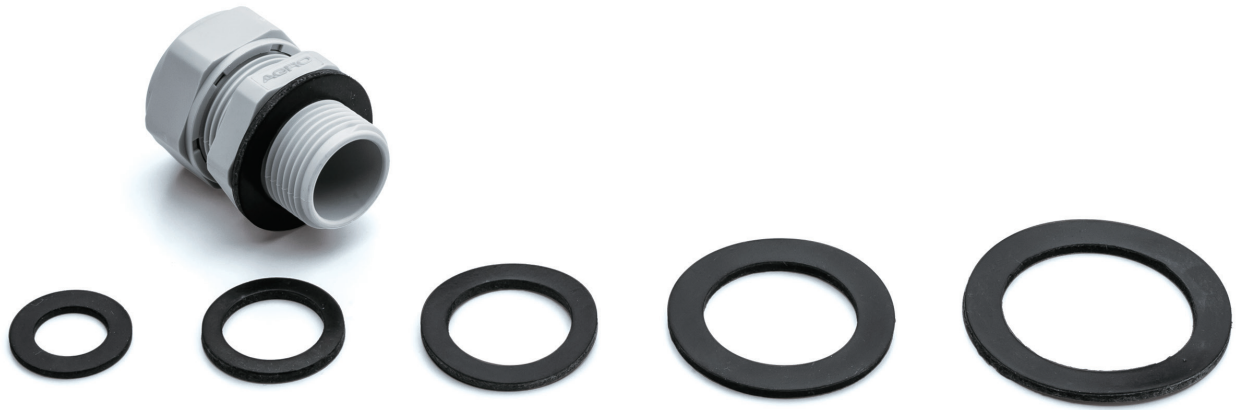
■ Lock nut is not included for M8 and M10 sizes. Please drill a proper thread hole into the enclosure for installation.

Product no. / Dimensions

Product no.		G		Cable range		L	H Max	SW	A	d	m	Pack of
● Black	● Light gray	Thread size	Mounting hole	Min	Max							
AG8-3.5B	AG8-3.5S	M8×1.0	—	2.5	3.5	10	17	12	13.2	—	—	1
AG8-5B	AG8-5S	M8×1.0	—	3.5	4.7	10	17	12	13.2	—	—	1
AG10-6B	AG10-6S	M10×1.0	—	4	6	10	19	15	16.5	—	—	1
AG12-5B	AG12-5S	M12×1.5	Φ12.2	3.5	4.7	12	23.5	17	18.7	18.8	5	1
AG12-6.5B	AG12-6.5S	M12×1.5	Φ12.2	5	6.5	12	23	17	18.7	18.8	5	1
AG12-8B	AG12-8S	M12×1.5	Φ12.2	6.5	7.8	12	23	17	18.7	18.8	5	1
AG16-10B	AG16-10S	M16×1.5	Φ16.2	8	10	12	26	21	23.1	24.3	5	1
AG20-15B	AG20-15S	M20×1.5	Φ20.2	11	15	13	27	27	29.7	29	6	1
AG25-16B	AG25-16S	M25×1.5	Φ25.2	12.5	16	13	34	34	37.4	36	6.7	1
AG25-20B	AG25-20S	M25×1.5	Φ25.2	16	20	13	34	34	37.4	36	6.7	1
AG32-25.5B	AG32-25.5S	M32×1.5	Φ32.3	21	25.5	15	36	41	45.6	46	8	1
AG40-28.5B	AG40-28.5S	M40×1.5	Φ40.3	24	28.5	15	41	50	55.4	53.5	9	1
AG40-33B	AG40-33S	M40×1.5	Φ40.3	28.5	33	15	41	50	55.4	53.5	9	1
AG50-37B	AG50-37S	M50×1.5	Φ50.4	33	37	16	45	60	65.5	66	9.6	1
AG50-42B	AG50-42S	M50×1.5	Φ50.4	37	42	16	45	60	65.5	66	9.6	1

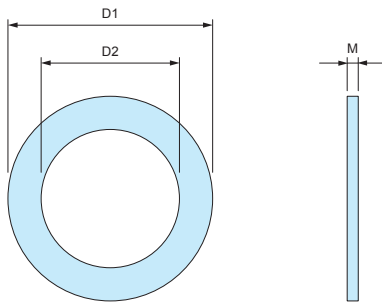
AGP SERIES

SEALING WASHER for AG • AGSP

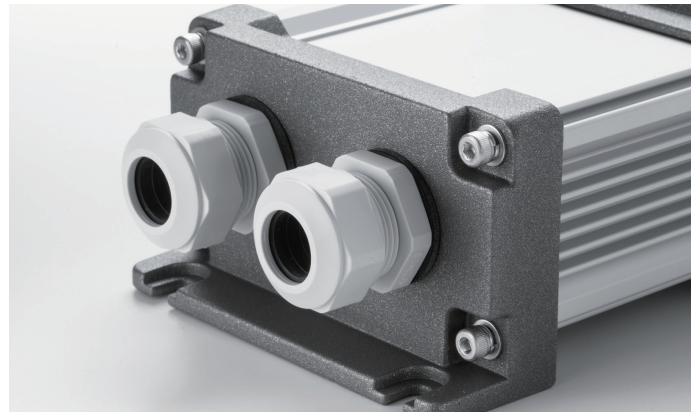


- Sealing washer for AG series.
- Made from oil resistant NBR material.
- Use in the case of installation on a rough or uneven surfaces.
- Selectable in 7 sizes (from M12 to M50)
- Sealing washer is not necessary for installation on flat surfaces.

AGP Dimensions



- Material : NBR



Product no. / Dimensions

Product no.	D1	D2	M	Suitable cable gland	Pack of
AGP-12	20	12	1.6	AG12	10
AGP-16	23.5	16.5	2.0	AG16	10
AGP-20	29	20	2.0	AG20	10
AGP-25	37	25	2.0	AG25	10
AGP-32	44	32	2.2	AG32	5
AGP-40	52	40	2.2	AG40	5
AGP-50	64	50	3.1	AG50	5

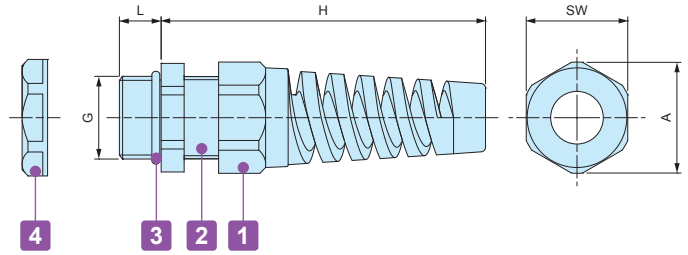
RSP SERIES

STRAIN RELIEF CABLE GLAND



■ DXF/DWG/PDF drawings available on our website.

RSP dimensions



Components

■ PA = Polyamide

No.	Part name	Material
1	Strain relief cap	PA66 (UL94V-2)
-	Sealing insert	NBR
2	Connector	PA66 (UL94V-2)
3	O-ring	NBR
4	Lock- nut	PA66 (UL94V-2)

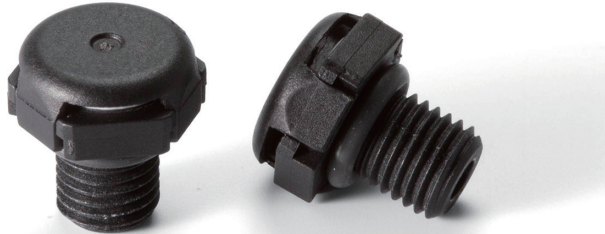
Technical Data
Protection class : IP67 Temperature range -20°C ~ +80°C

Product no. / Dimensions

Product no.		G		Cable range		L	H Max	SW	A	Pack of
● Black	● Light gray	Thread size	Mounting hole	Min	Max					
RSP12-6B	RSP12-6S	M12×1.5	φ12.2	3.5	6	9	62	16	17	1
RSP16-8B	RSP16-8S	M16×1.5	φ16.2	4	8	9	69	19.5	21	1
RSP20-11B	RSP20-11S	M20×1.5	φ20.2	6	11	10	82	24	26	1
RSP25-16B	RSP25-16S	M25×1.5	φ25.2	11	16	12	102	33	36	1

PMF-6B

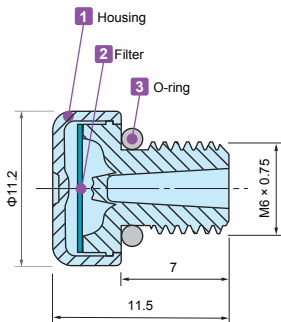
SMALL PROTECTIVE VENT



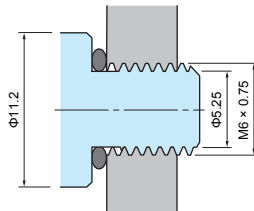
Application example

- Small and screw-in protective vent suitable for compact, and hand-held type devices.
- IP68 protection class (water depth 2 meters / 60 mins) and -40°C ~ +150°C operating temperature range allows it to be used in various environments.
- Suitable for enclosures with capacities of 2.0 litres or under.
- For outdoor use, installation on the side of the enclosure unit is recommended.

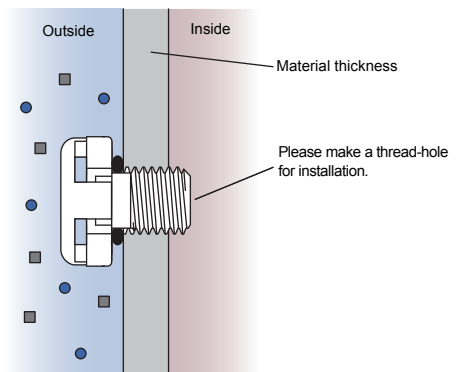
PMF-6B dimensions



Hole milling drawings



Installation drawings



Technical Data

Airflow	300ml / min (dp = 7 kPa)
Recommended Torque	0.2 ~ 0.4 N • m
Certifications	IEC60529 (Protection class test) : IP66 • IP67 • IP68 IEC60068-2-1, 2, 14 (Heat resistance test) : -40°C ~ +150°C IEC60068-2-78 (Humidity test) : 85°C • 85% humidity • 1000 hours IEC60068-2-64 (Vibration test) UL94V-0 (Flame-resistant) • UL746C f1

Product no. / Dimensions

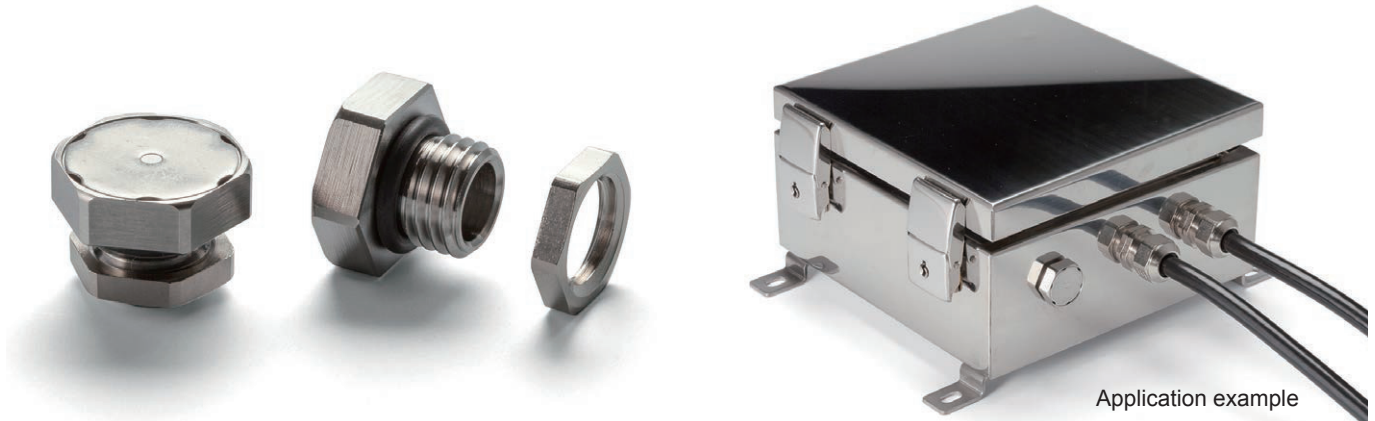
Product no.	Material			G	
● Black	1 Housing	2 Filter	3 O-ring	Thread size	Mount hole
PMF-6B	PA6 (Body) • PA66 (Cap)	PTFE	Silicone	M6 x 0.75	—

PMF-12M

STAINLESS STEEL PROTECTIVE VENT

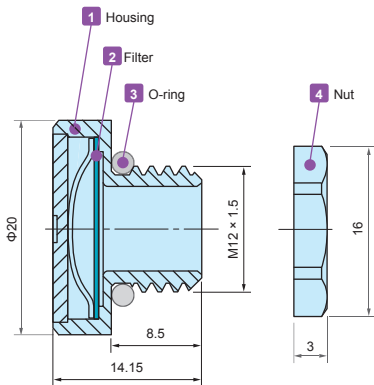
★ ★ NEW

IP68 IP69K

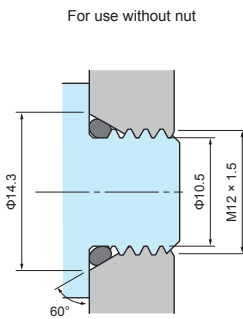


- Stainless steel protective vent for superior durability and chemical resistance.
- IP68 protection class (water depth 2 meters / 60 mins) and -40°C ~ +125°C operating temperature range allows it to be used in various environments.
- Suitable for enclosures with capacities of 20 liters or under.
- For outdoor use, installation on the side of the enclosure unit is recommended.

PMF-12M dimensions

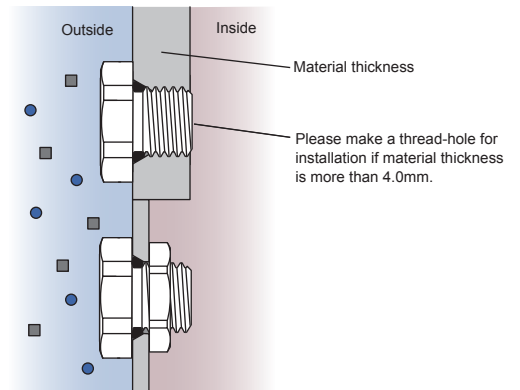


Hole milling drawings



■ While Φ12.2mm through-hole is sufficient for installation, 60° angle tapered hole is recommended to prevent deformation of the O-ring.

Installation drawings



■ If used with a lock nut, material thickness should not exceed 4.0mm.

Technical Data

Airflow	1600ml / min (dp = 7 kPa)
Recommended Torque	0.6 ~ 1.2 N · m
Certifications	IEC60529 (Protection class test) : IP66 • IP67 • IP68 • IP69K IEC60068-2-1, 2, 14 (Heat resistance test) : -40°C ~ +125°C IEC60068-2-78 (Humidity test) : 85°C • 85% humidity • 1000 hours IEC60068-2-64 (Vibration test)

Product no. / Dimensions

Product no.	Material				G		Nut SW
	1 Housing	2 Filter	3 O-ring	4 Nut	Thread size	Mount hole	
PMF-12M	Stainless steel	PTFE	Silicone	Brass • Nickel plated	M12 x 1.5	Φ12.2	15

PMF SERIES

PROTECTIVE VENT

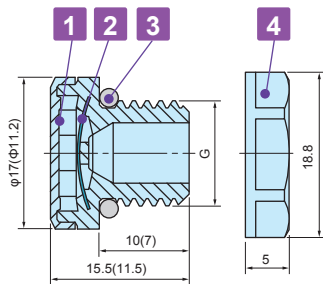


Application example

- Protective vents prevents the ingress of a variety of contaminants, such as water, dust and other particules while allowing water vapor molecules to diffuse through the microporous membrane.
- Equalize pressure and reduce condensation by allowing airflow into and out of sealed enclosures.
- With an IP68 protection class (water depth 2 meters / 60 mins) and -40°C ~ +125°C operating temperature range, it can be used in harsh environmental conditions.
- PMF-6B works up to 2 liters capacity enclosures. Whereas, PMF-12 models work for up to 5 liters and PMF-12HS models work for up to 50 liters.
- For outdoor use, more efficient to install on the side(s).
- Recommended to use for industrial, electric, electronics purpose only.

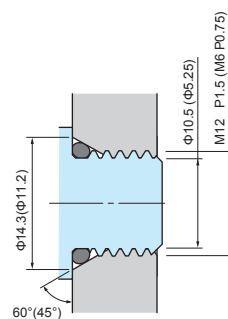
PMF dimensions

■ Drawings below are reference examples only.
DXF/DWG/PDF drawings available on our website.



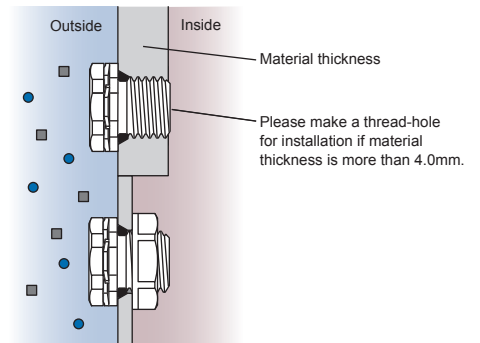
() values are for PMF-6B.
Lock nut is not available for PMF-6B.

Hole milling drawings



■ While $\Phi 12.2\text{mm}$ through-hole is sufficient for installation, 60° angle tapered hole is recommended to prevent deformation of the O-ring.

Installation drawings



■ If used with a lock nut, material thickness should not exceed 4.0mm, and $\Phi 12.2\text{mm}$ through-hole is sufficient.

Technical Data

Product no.	PMF-6B	PMF-12	PMF-12HA
Airflow	300ml / min (dp = 7 kPa)	450ml / min (dp = 7 kPa)	4000ml / min (dp = 7 kPa)
Recommended Torque	0.2 ~ 0.4 N · m	0.6 ~ 0.8 N · m	0.6 ~ 0.8 N · m
Certifications	IEC60529 (Protection class test): IP66 • IP67 • IP68 • IP69K (Not for PMF-6B) IEC60068-2-1, 2, 14 (Heat resistance test): - 40°C ~ +125°C (~+150°C for PMF-6B) IEC60068-2-78 (Humidity test): 85°C • 85% humidity • 1000 hours IEC60068-2-64 (Vibration test) (PMF-6B only) UL94V-0 (Flame-resistant) • UL746C f1		

Product no. / Dimensions

Product no.		Material				G		Nut SW
● Light gray	● Black	1 Housing	2 Filter	3 O-ring	4 Lock nut	Thread size	Mount hole	
—	NEW PMF-6B	PA6 (Body) PA66 (Cap)	PTFE	Silicone	n/a	M6 x 0.75	—	—
PMF-12S	PMF-12B	PA6	PTFE	Silicone	PA6 (UL94V-2)	M12 x 1.5	$\Phi 12.2$	17
PMF-12HAS	PMF-12HAB	PA6	PTFE	Silicone	PA6 (UL94V-2)	M12 x 1.5	$\Phi 12.2$	17