

SN•MP•BH SERIES

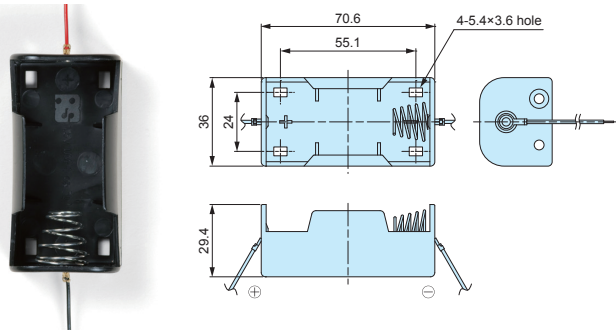
BATTERY HOLDER with LEAD WIRE

Technical Data

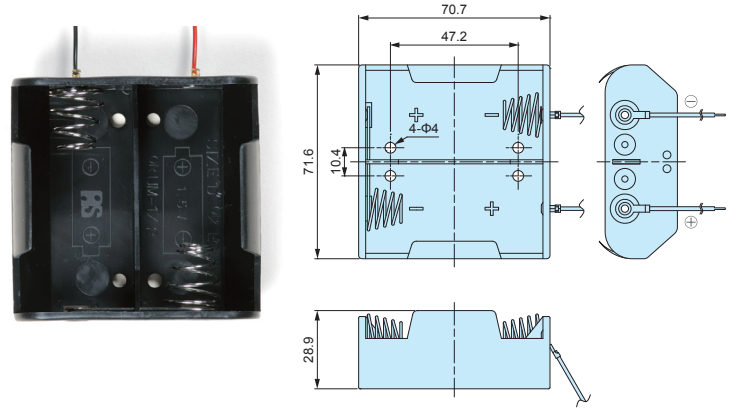
Operating temperature (PP Material) : -10°C ~ +60°C
 Operating temperature (PE Material) : -10°C ~ +50°C
 Operating temperature (ABS Material) : -10°C ~ +60°C

■ DXF/DWG/PDF drawings available on our website.

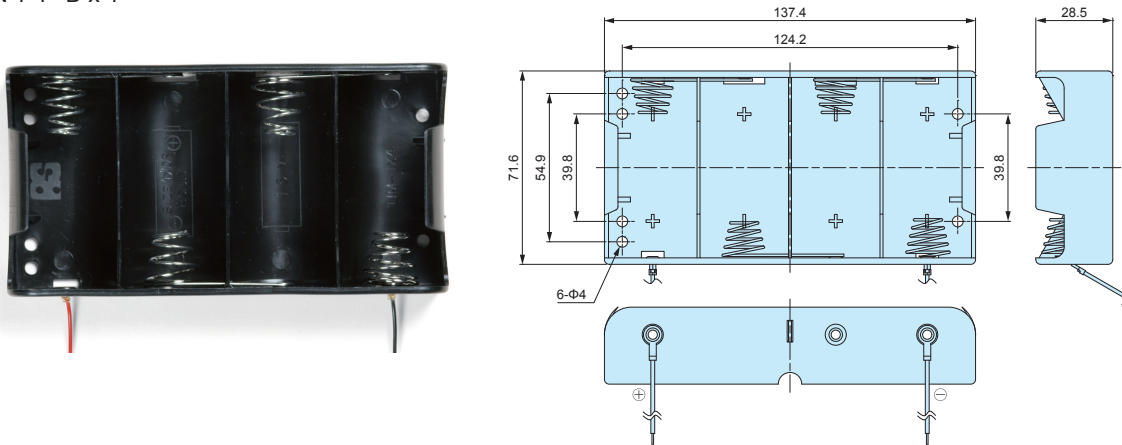
SN 1-1 D x 1



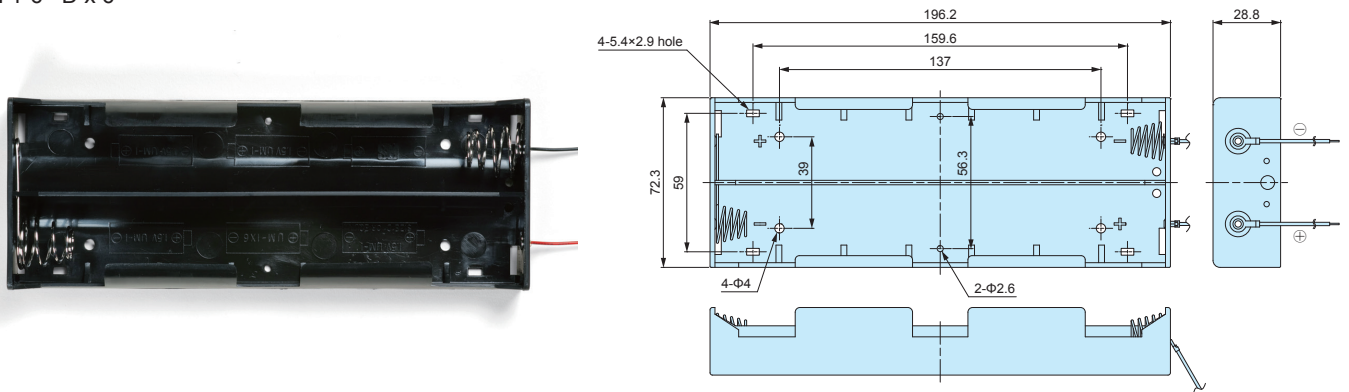
SN 1-2 D x 2



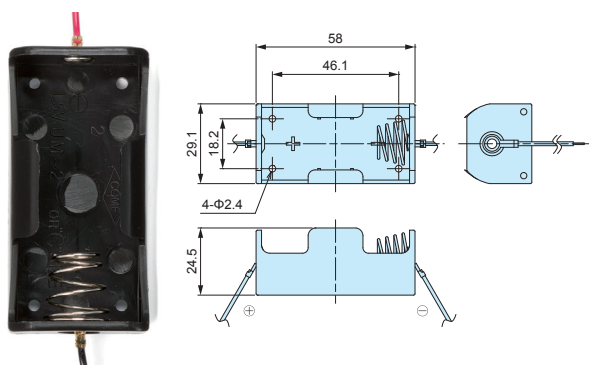
SN 1-4 D x 4



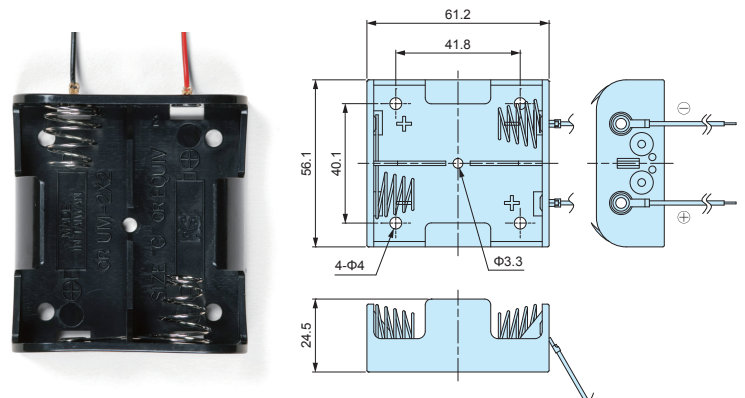
SN 1-6 D x 6



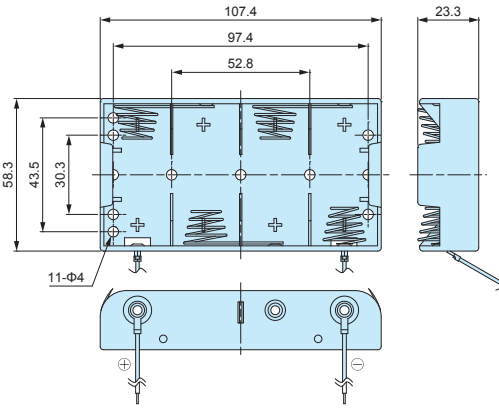
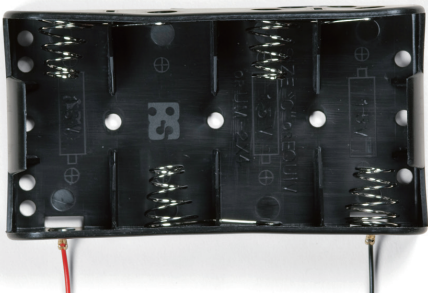
BH211-1 C x 1



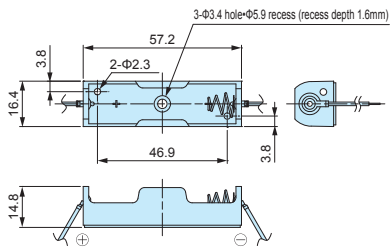
SN 2-2 C x 2



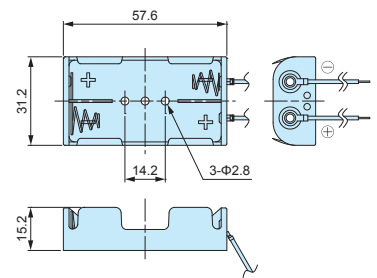
SN 2-4 C x 4



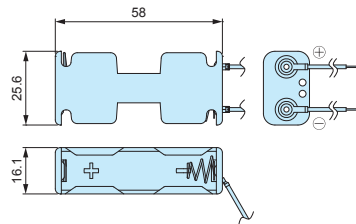
SN 3-1 AA x 1



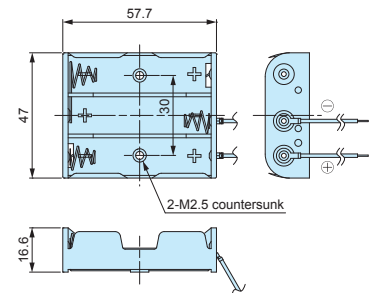
SN 3-2 AA x 2



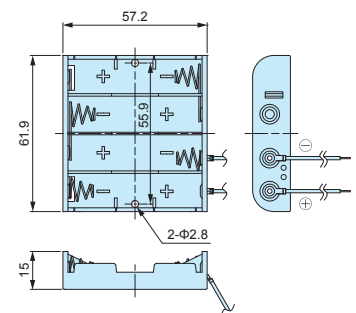
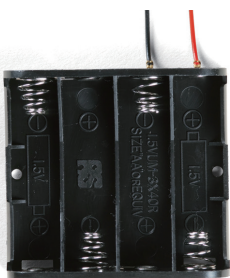
SN 3-2A AA x 2



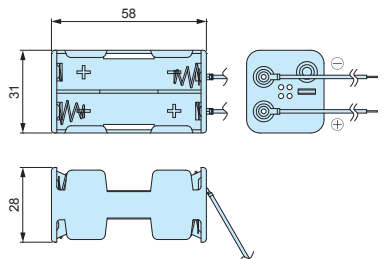
SN 3-3 ※ AA x 3



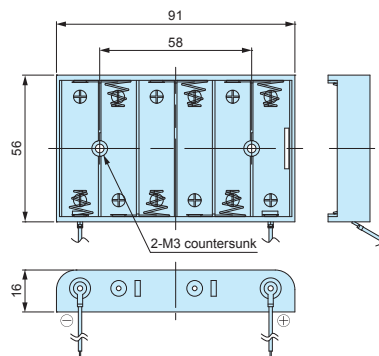
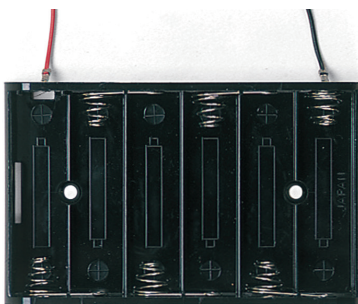
SN 3-4 ※ AA x 4



SN 3-4A ※ AA x 4

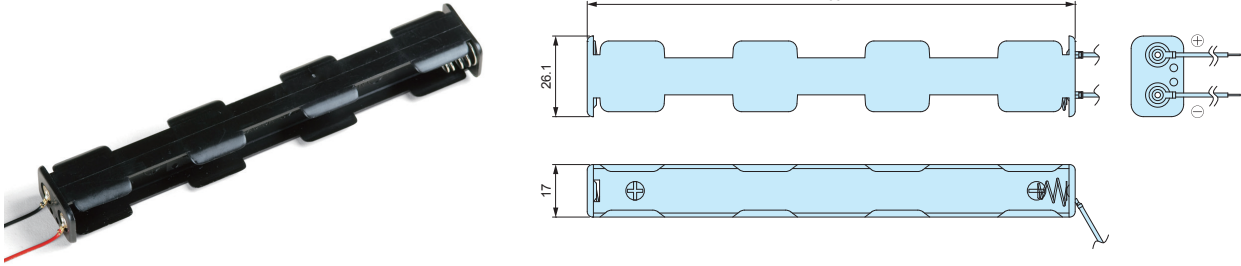


MP-3-6 AA x 6

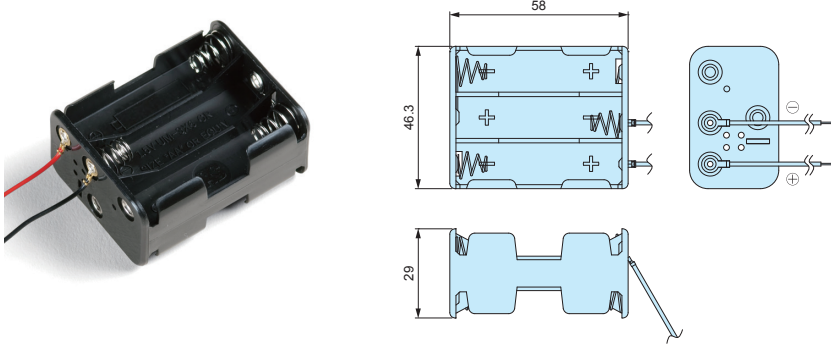


※ A steel wire may protrude out from the underside of SN3-3 and SN3-4. Insulation processing is required for installation on conductive material.

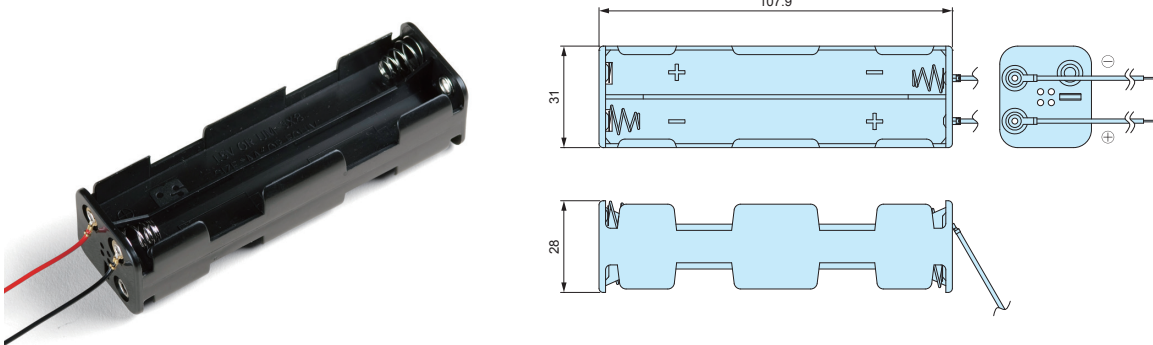
SN 3-6A AA x 6



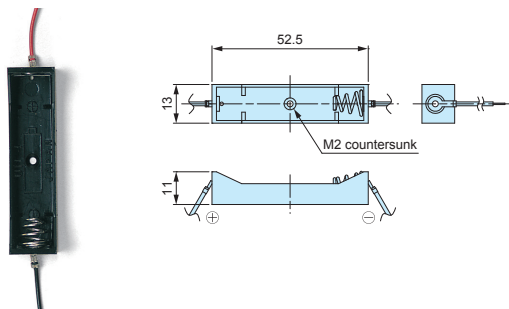
SN 3-6B AA x 6



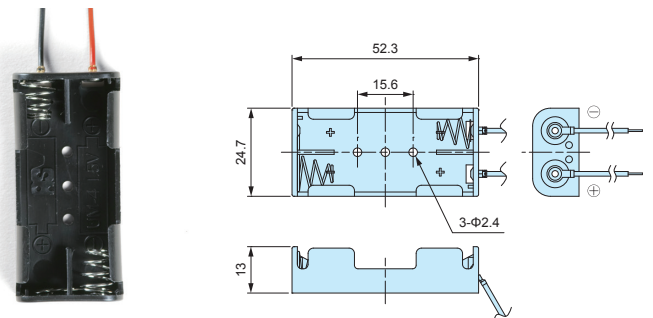
SN 3-8A AA x 8



MP-4-1 AAA x 1

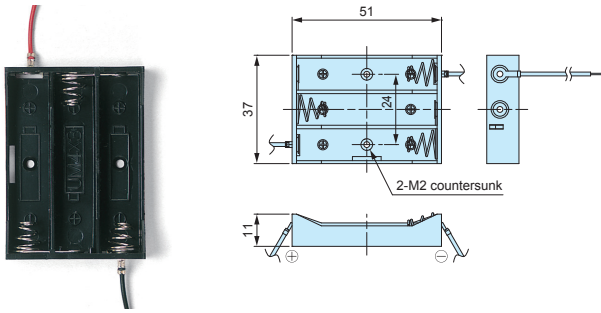


SN 4-2 AAA x 2

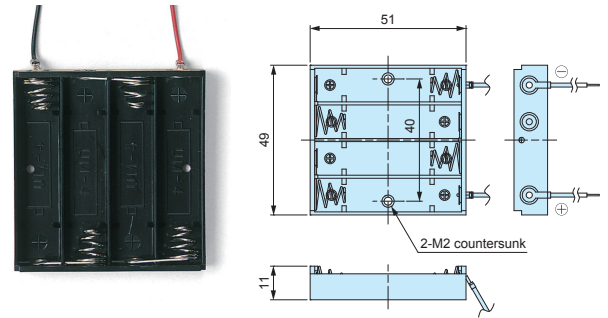


■ DXF/DWG/PDF drawings available on our website.

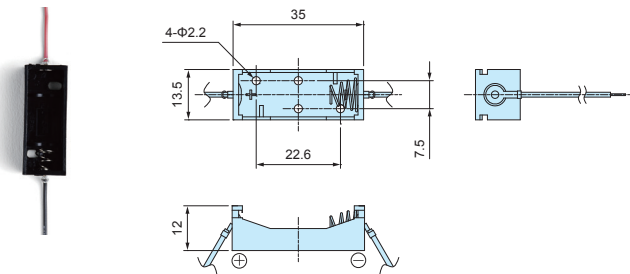
MP-4-3 AAA x 3



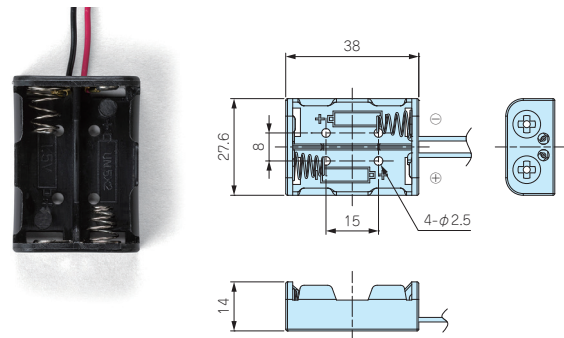
MP-4-4 AAA x 4



MP-5-1N N x 1



BH-521A N x 2



Components

Holder material	Holder color	Spring / Finish	Battery contact / Finish	Wire material
PP • PE • ABS	Black	Steel wire / Nickel plated	Brass / Nickel plated	AWG24 • AWG26 (UL1007)

Product no. / Feature

Product no.	Matching battery	Holder material	Lead wire	Weight (g)	Pack of	Product no.	Pack of
SN 1-1	D x 1	PP	AWG26 L=170	14.0	1	SN1-1-P	50
SN 1-2	D x 2	PP	AWG26 L=170	22.8	1	SN1-2-P	20
SN 1-4	D x 4	PP	AWG26 L=170	43.0	1	SN1-4-P	20
SN 1-6	D x 6	PP	AWG26 L=170	52.7	1	SN1-6-P	20
BH211-1	C x 1	PP	AWG24 L=150	9.3	1	BH211-1-P	50
SN 2-2	C x 2	PP	AWG26 L=170	16.5	1	SN2-2-P	50
SN 2-4	C x 4	PP	AWG26 L=170	26.0	1	SN2-4-P	50
SN 3-1	AA x 1	PP	AWG26 L=160	4.4	1	SN3-1-P	50
SN 3-2	AA x 2	PE	AWG26 L=160	7.8	1	SN3-2-P	50
SN 3-2A	AA x 2	PP	AWG26 L=160	6.2	1	SN3-2A-P	50
SN 3-3	AA x 3	PP	AWG26 L=160	10.2	1	SN3-3-P	50
SN 3-4	AA x 4	PP	AWG26 L=160	12.1	1	SN3-4-P	50
SN 3-4A	AA x 4	PP	AWG26 L=160	9.8	1	SN3-4A-P	50
MP-3-6	AA x 6	ABS	AWG26 L=150	21.4	1	—	—
SN 3-6A	AA x 6	PP	AWG26 L=160	12.9	1	SN3-6A-P	50
SN 3-6B	AA x 6	PP	AWG26 L=160	15.3	1	SN3-6B-P	50
SN 3-8A	AA x 8	PP	AWG26 L=160	14.8	1	SN3-8A-P	50
MP-4-1	AAA x 1	ABS	AWG26 L=150	3.3	1	—	—
SN 4-2	AAA x 2	PP	AWG26 L=160	5.1	1	SN4-2-P	50
MP-4-3	AAA x 3	ABS	AWG26 L=150	6.9	1	—	—
MP-4-4	AAA x 4	ABS	AWG26 L=150	8.0	1	—	—
MP-5-1N	N x 1	ABS	AWG26 L=150	2.6	1	—	—
BH-521A	N x 2	PP	AWG26 L=150	4.9	1	—	—

■ Bulk package (pack of 50pcs) is available. (Not for MP-3-6, MP-4-1, MP-4-3, MP-4-4, MP-5-1N, and BH521-A models)

Matching Chart (Battery Box : Battery Holder)

Box product no.	Holder product no.
MD-006P	MP-4-1 • SN4-2
LD-006P	MP-4-1 • SN4-2
LDN-006P	MP-4-1 • SN4-2