

# SN•MP-PC SERIES

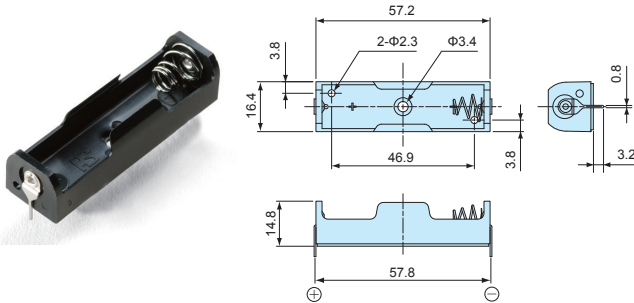
# BATTERY HOLDER with THROUGH HOLE PIN

### Technical Data

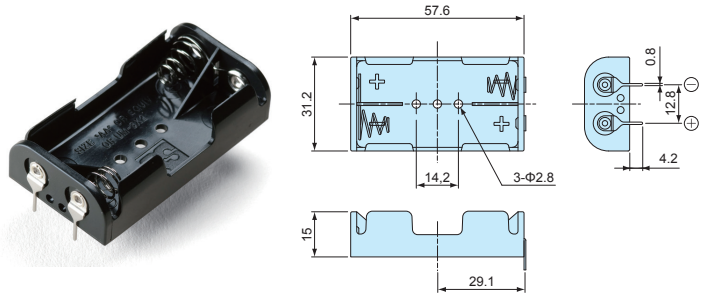
Operating temperature (PP Material) : -10°C ~ +60°C  
 Operating temperature (PE Material) : -10°C ~ +50°C  
 Operating temperature (ABS Material) : -10°C ~ +60°C

■ DXF/DWG/PDF drawings available on our website.

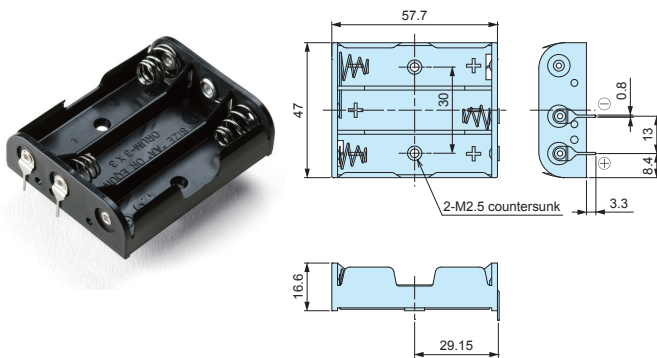
SN 3-1PC AA x 1



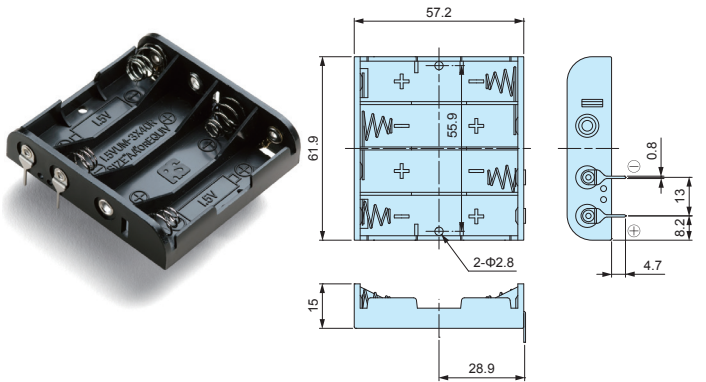
SN 3-2PC AA x 2



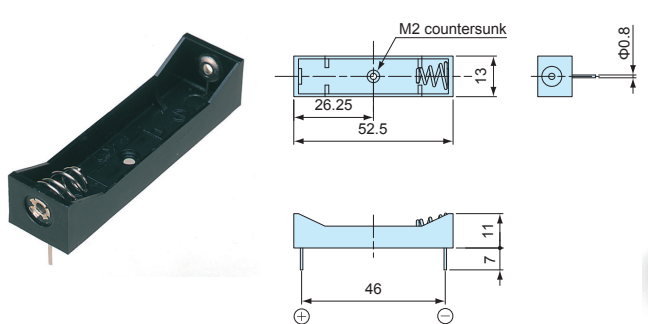
SN 3-3PC ※ AA x 3



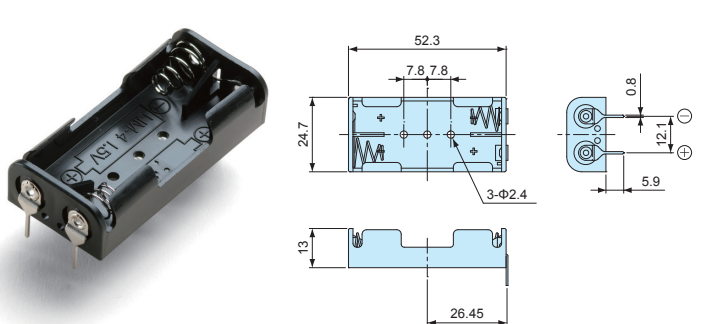
SN 3-4PC ※ AA x 4



MP-4-1PC AAA x 1



SN 4-2PC AAA x 2



※ A steel wire may protrude out from the underside of SN3-3PC and SN3-4PC.  
 Insulation processing is required for installation on conductive material.

### Components

Holder material	Holder color	Spring / Finish	Battery contact / Finish	Through-hole pin / Finish
PP, PE or ABS	Black	Steel / Nickel plated	Brass / Nickel plated	Steel / Nickel plated • Copper / Sn plated

### Product no. / Feature

Product no.	Matching battery	Holder material	Weight (g)	Pack of
SN 3-1PC	AA x 1	PP	3.6	1
SN 3-2PC	AA x 2	PE	7.0	1
SN 3-3PC	AA x 3	PP	9.4	1
SN 3-4PC	AA x 4	PP	11.5	1
MP-4-1PC	AAA x 1	ABS	2.5	1
SN 4-2PC	AAA x 2	PP	4.5	1

Product no.	Pack of
SN3-1PC-P	50
SN3-2PC-P	50
SN3-3PC-P	50
SN3-4PC-P	50
-	-
SN4-2PC-P	50

■ 50 pcs bulk package is available. (Not for MP-4-1PC)