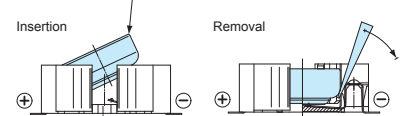


- Coin cell holder for 9 different coin cell types.
- Surface mount type with compact body.
- Heat resistant glass fiber filled LCP for lead free reflow soldering.
- Tape reel packages (-TR models) are available for bulk purchase.
- SMTU1220-G, SMTU1632-G and SMTU2032-1-G are gold plated models.

Technical Data
Operating temperature: -40°C ~ +100°C

How to replace a coin cell.



Components

Holder material	Holder color	Contact material	Contact finish
Glass fiber filled LCP (UL94V-0)	Ivory (Gray for SMTU2-2016)	SUS301	Battery contact : Nickel plated • Soldered area : Sn plated over nickel Gold plated over nickel (SMTU1220G • 1632-G • 2032-1-G models)

Product no. / Feature

Product no.	Matching coin cell	Contact type	Weight (g)	Pack of
SMTU357	LR44 / SR44	Surface mount x 2	0.9	1
SMTU1220	CR1220	Surface mount x 2	0.8	1
SMTU1220-G	CR1220	Surface mount x 2	0.8	1
SMTU1225	CR1225	Surface mount x 2	0.7	1
SMTU1632	CR1632	Surface mount x 2	0.8	1
SMTU1632-G	CR1632	Surface mount x 2	0.8	1
SMTU2-2016	CR2016×2 *1	Surface mount x 2	1.0	1
SMTU2032	CR2032	Surface mount x 2	1.0	1
SMTU2032-1-G	CR2032	Surface mount x 2	1.0	1
SMTU2430	CR2430	Surface mount x 2	1.0	1
SMTU2450	CR2450 *2	Surface mount x 2	1.5	1
NEW SMTU2477	CR2477 *3	Surface mount x 2	1.7	1
SMTU357-T	LR44 / SR44	Surface mount x 2	—	50 pcs / tray
SMTU1220-TR	CR1220	Surface mount x 2	—	750 pcs / reel
SMTU1220-G-TR	CR1220	Surface mount x 2	—	750 pcs / reel
SMTU1225-TR	CR1225	Surface mount x 2	—	750 pcs / reel
SMTU1632-T	CR1632	Surface mount x 2	—	50 pcs / tray
SMTU1632-G-TR	CR1632	Surface mount x 2	—	520 pcs / reel
SMTU2032-TR	CR2032	Surface mount x 2	—	485 pcs / reel
SMTU2032-1-G-TR	CR2032	Surface mount x 2	—	485 pcs / reel
SMTU2430-TR	CR2430	Surface mount x 2	—	490 pcs / reel
SMTU2450-TR	CR2450 *2	Surface mount x 2	—	350 pcs / reel
NEW SMTU2477-TR	CR2477 *3	Surface mount x 2	—	250 pcs / reel

*1 • *2 : Some coin cells are not suitable for SMTU2-2016 and SMTU2450. Please refer to the chart below.

To use a non-listed coin cell, please check and confirm before use.

*3 SMTU2477 can only be used with a Renata coin cell.

SMTU-2016 Suitability Chart

Brand (Product no.)	Suitability
FDK (CR2016C)	○
maxell (CR2016 1BS)	○
mitsubishi (CR2016)	○
Panasonic (CR2016)	×
renata (CR2016 MFR)	○
SONY (CR2016-ECO)	○
TOSHIBA (CR2016EC)	○

Reason for × : Coin cell is too thin.

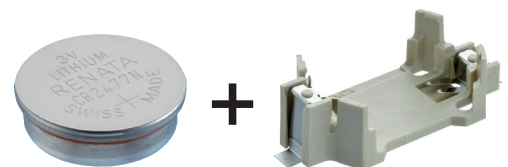
SMTU2450 Suitability Chart

Brand (Product no.)	Suitability
FDK (CR2450C)	○
maxell (CR2450)	○
maxell (CR2450HR)	×
maxell (CR2450HR-Ex)	×
MITSUBISHI (CR2450B)	○
Panasonic (CR2450)	×
renata (CR2450N)	○
SANYO (CR2450-1BP)	○
SONY (CR2450B-ECO)	○

Reason for × : Coin cell shape does not fit.

SMTU2477 can only be used with a Renata coin cell.

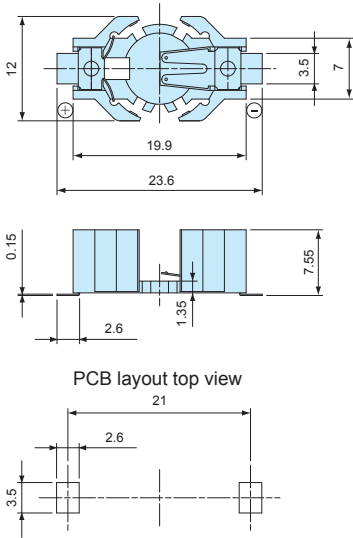
SUTU2477 is exclusively designed for use with a Renata CR2477N coin cell.



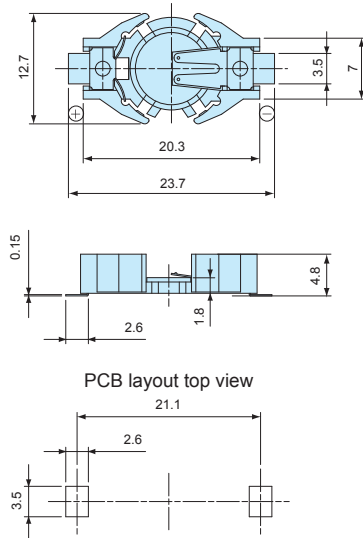
SMTU dimensions

■ DXF/DWG/PDF drawings available on our website.

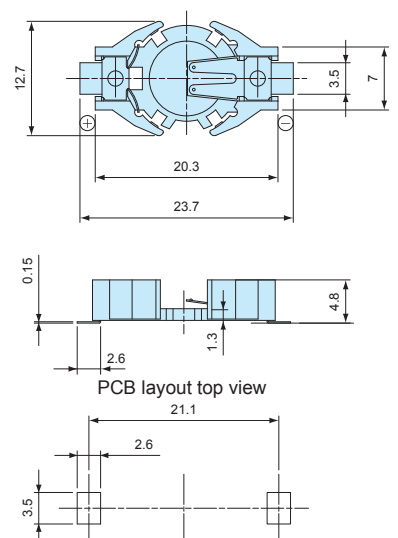
SMTU357



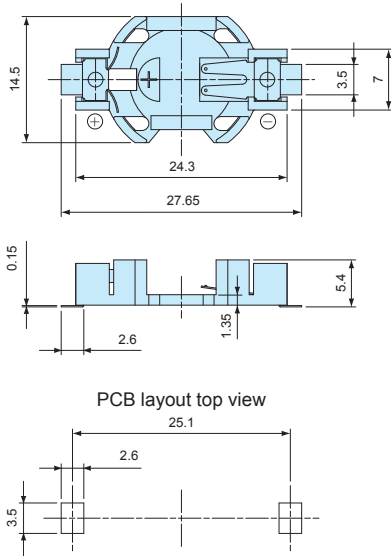
SMTU1220 / 1220-G



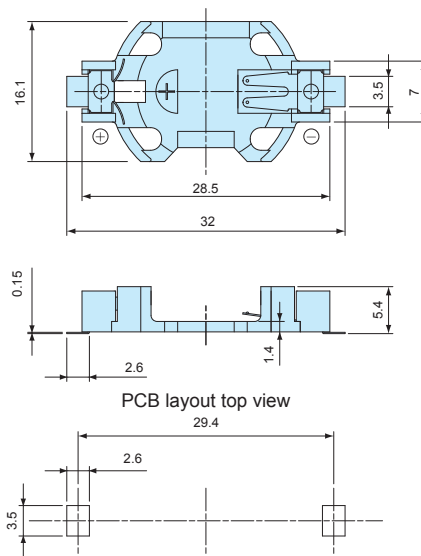
SMTU1225



SMTU1632 / 1632-G

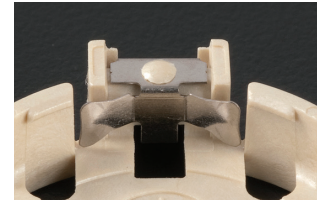


SMTU2032 / 2032-1-G / 2-2016

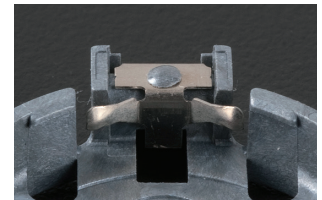


■ External dimensions of SMTU2032 and SMTU2-2016 are similar. However, each holder has a different positive contact and holder color. Refer to the images below.

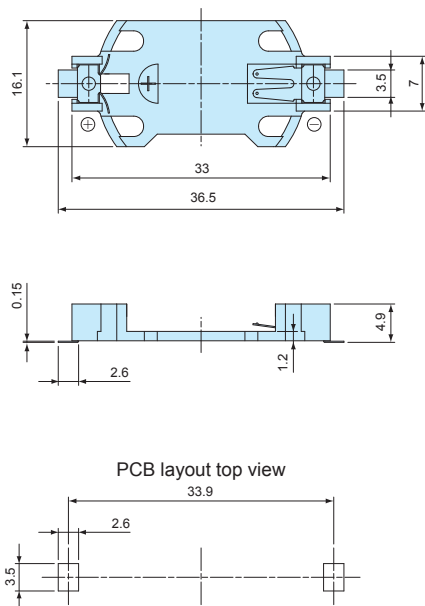
SMTU2032



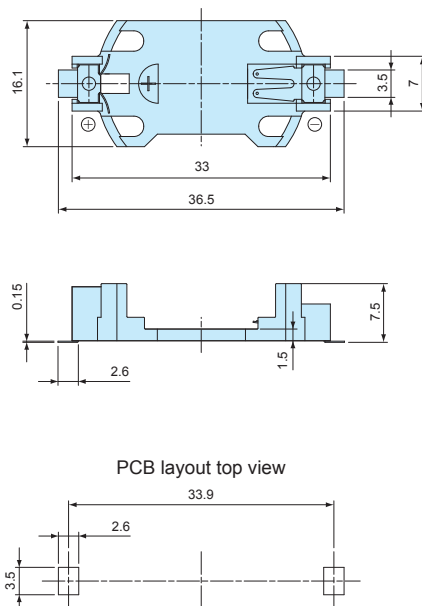
SMTU2-2016



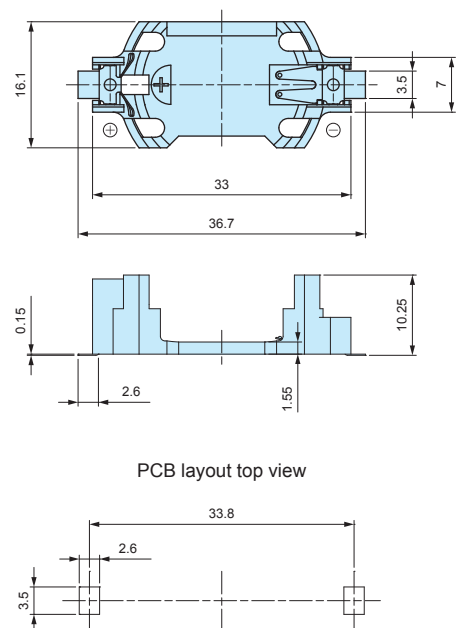
SMTU2430



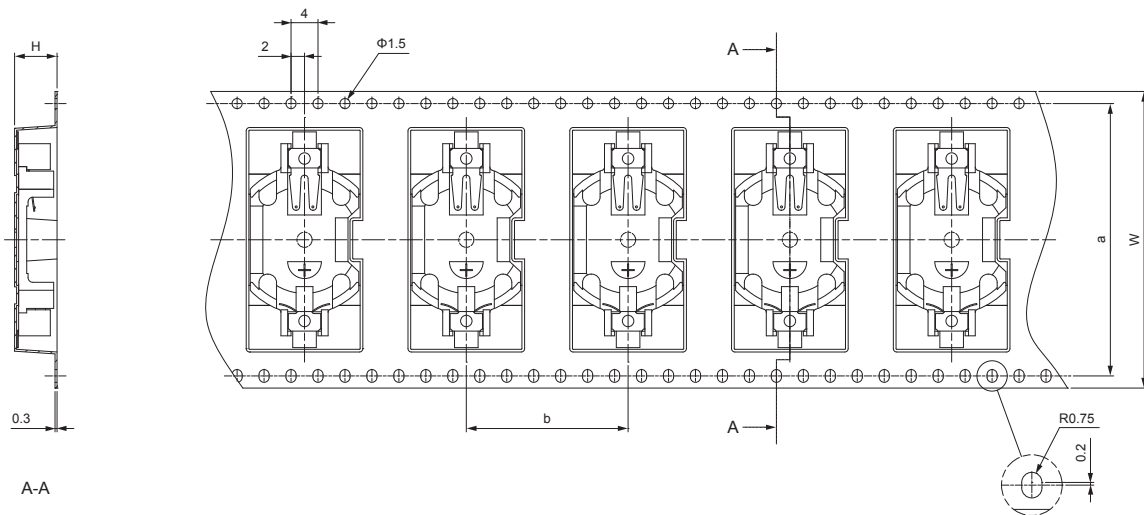
SMTU2450



SMTU2477



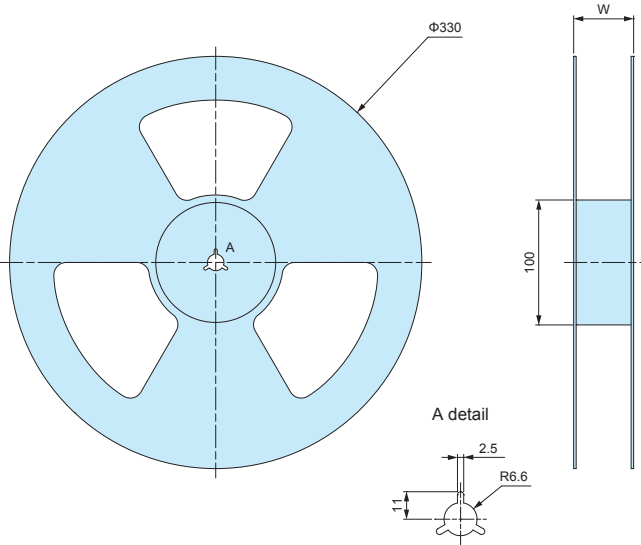
Tape dimensions



※Holder storage spacing will vary depending on model.

Product no.	W	H	a	b
SMTU1220-TR	44	6	40.4	16
SMTU1220-G-TR	44	6	40.4	16
SMTU1225-TR	44	6	40.4	16
SMTU1632-G-TR	44	6.1	40.4	20
SMTU2032-TR	44	6.3	40.4	24
SMTU2032-1-G-TR	44	6.3	40.4	24
SMTU2430-TR	56	6	52.4	24
SMTU2450-TR	56	8.5	52.4	24
SMTU2477-TR	56	10.8	52.4	24

Reel dimensions



Product no.	Pcs / Reel	w
SMTU1220-TR	750	48.5
SMTU1220-G-TR		
SMTU1225-TR	750	48.5
SMTU1632-G-TR	520	48.5
SMTU2032-TR	485	48.5
SMTU2032-1-G-TR		
SMTU2430-TR	490	61.5
SMTU2450-TR	350	61.5
SMTU2477-TR	250	61.5