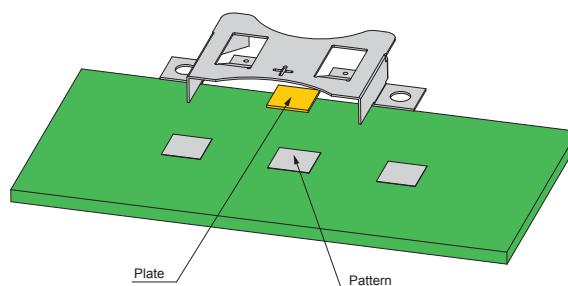




- Material / Finish : Phosphor bronze / Nickel plated
- Metal coin cell holder.
- Tape reel packages (-TR models) are available for bulk purchase.
- Make a negative pole on the PCB and place or solder a plate onto it.
BK2032M negative contact can be used for SMTM2032 and BK-888.



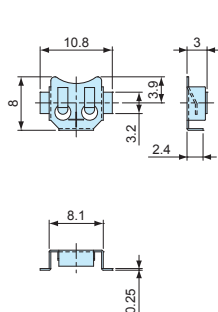
Product no. / Feature

Product no.	Matching coin cell	Contact type	Weight (g)	Pack of
BK-879	SR621/ML621	Surface mount x 2	0.2	10
BK-5091	LR44	Through hole x 2	0.5	10
NEW SMTM1225	CR1220/CR1225	Surface mount x 2	0.4	10
BK-890	CR1220/CR1225	Through hole x 2	0.4	10
SMTM1632	CR1632	Surface mount x 2	0.7	10
BK-869	CR1620/CR1632	Through hole x 2	0.7	10
BK-5067	CR2016	Surface mount x 2	0.8	10
SMTM2032	CR2032/CR2025	Surface mount x 2	0.9	10
BK-888	CR2032/CR2025	Through hole x 2	0.9	10
NEW SMTM1225-TR	CR1220/CR1225	Surface mount x 2	—	1,000 pcs / reel
SMTM1632-TR	CR1632	Surface mount x 2	—	700 pcs / reel
SMTM2032-TR	CR2032/CR2025	Surface mount x 2	—	600 pcs / reel

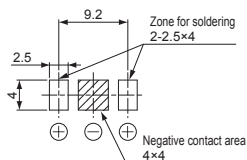
SMTM • BK dimensions

■ DXF/DWG/PDF drawings available on our website.

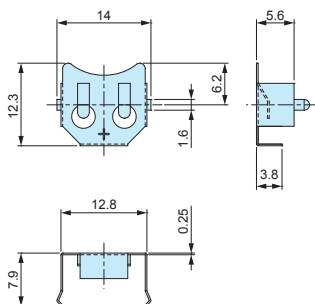
BK-879



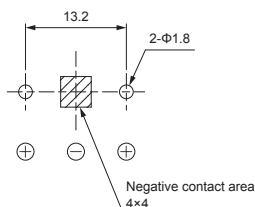
PCB layout top view



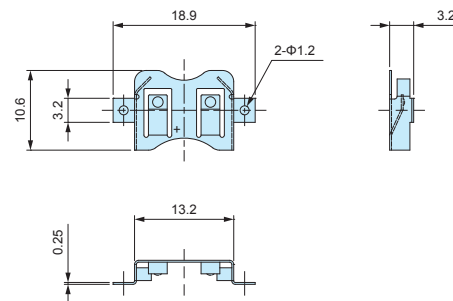
BK-5091



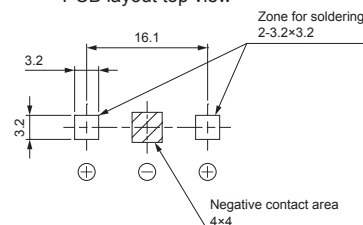
PCB layout top view



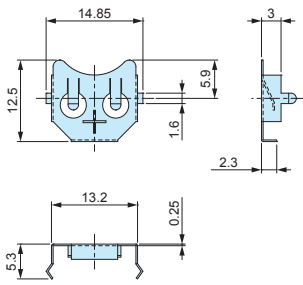
SMTM1225



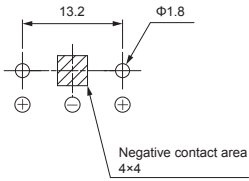
PCB layout top view



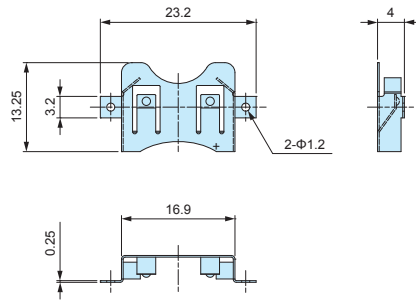
BK-890



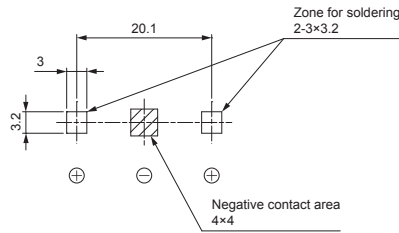
PCB layout top view



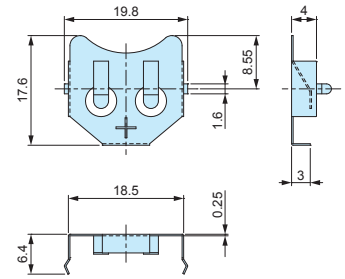
SMTM1632



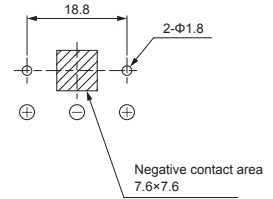
PCB layout top view



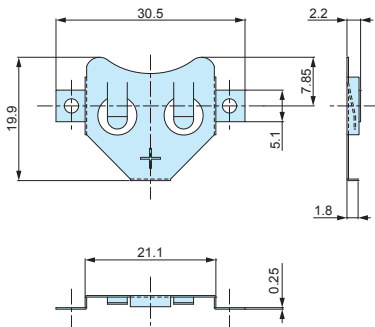
BK-869



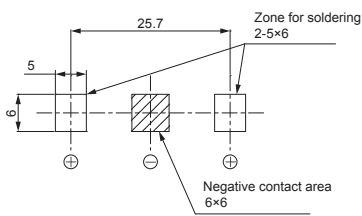
PCB layout top view



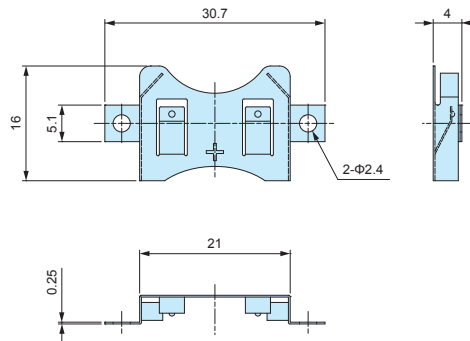
BK-5067



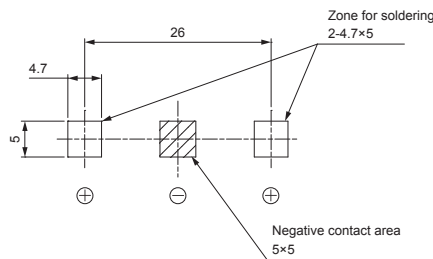
PCB layout top view



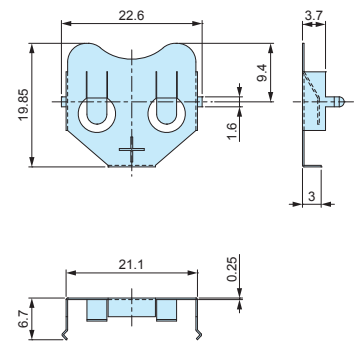
SMTM2032



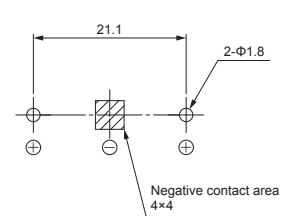
PCB layout top view



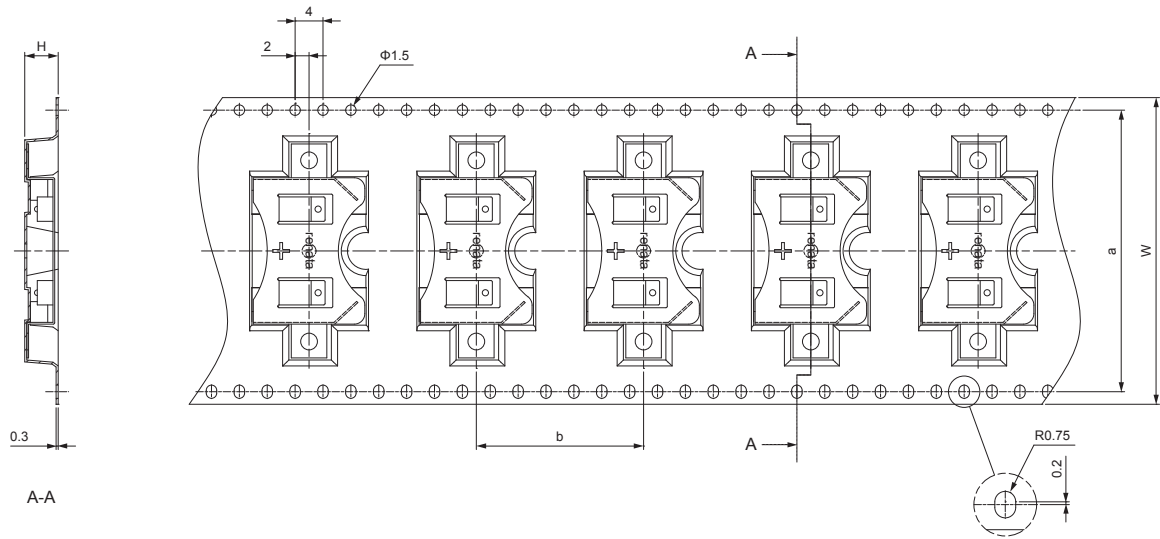
BK-888



PCB layout top view



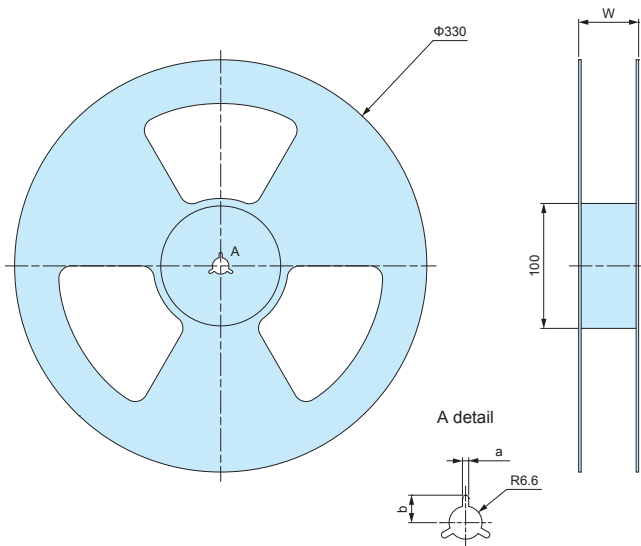
Tape dimensions



※Holder storage spacing will vary depending on model.

Product no.	W	H	a	b
SMTM1225-TR	32	3.8	28	16
SMTM1632-TR	44	4.5	40.4	20
SMTM2032-TR	44	4.8	40.4	24

Reel dimensions

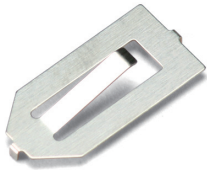


Product no.	Pcs / Reel	w	a	b
SMTM1225-TR	1,000	38.5	2.1	10.4
SMTM1632-TR	700	50.5	2.1	10.4
SMTM2032-TR	600	48.5	2.4	11

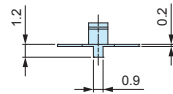
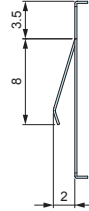
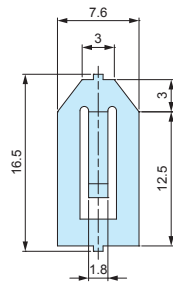
BK-2032M

NEGATIVE COIN CELL CONTACT for CR2032

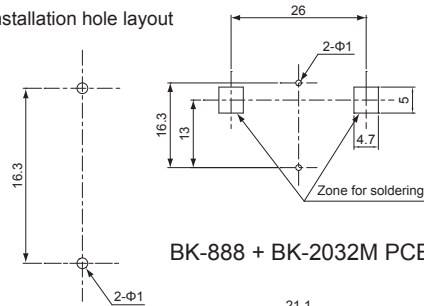
■ DXF/DWG/PDF drawings available on our website.



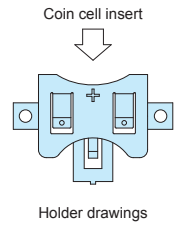
- Material / Finish : Phosphor bronze / Nickel plated
- Negative contact for CR2032 coin cell.
- Suitable to be used with SMTM2032 or BK-888 holders.
- Cut area will have base material exposed (unfinished).



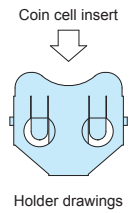
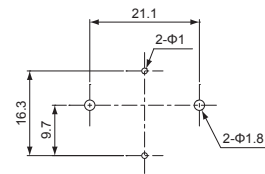
Installation hole layout



SMTM + BK-2032M PCB layout top view



BK-888 + BK-2032M PCB layout top view



■ Recommended PCB thickness for installation is 1.0mm or thinner.

Product no. / Feature

Product no.	Matching coin cell	Contact type	Weight (g)	Pack of
BK-2032M	CR2032	Through hole x 2	0.2	10