



2 SIZES ADDED!

IoT SMALL PLASTIC CASE

LOW-PRICE & LUXURIOUS MIRROR FINISH!

STANDARD TYPE

SIC series

WALLMOUNT TYPE

SIM series



NEW



NEW



CASE BOX RACK & CUSTOM

TAKACHI ELECTRONICS ENCLOSURE CO., LTD.

NEW COMPACT PLASTIC CASE for NEXT GENERATION IoT

Stylish and elegant plastic case for use with all your IoT related devices

SIC•SIM series



Sleek & Glossy Finish High Performance Case



Multipurpose & Wall Mount Models Available

Multipurpose Model
SIC series



Wall Mount Model
SIM series



COMPACT PLASTIC CASE for IoT DEVICES

SIC • SIM series are snap-in type compact-sized plastic case without screws.

Despite the small size, ample internal space is achieved by a snap-in assembly construction.

A rounded design yet having flat surfaces enables easy customization such as hole milling or printing.

Ideal for small IoT appliances such as LoRa WAN or Sigfox power-saving communication devices, RFID or GPS gadgets, or network sensors.

Wall Mount Communication Network Device



RFID Reader

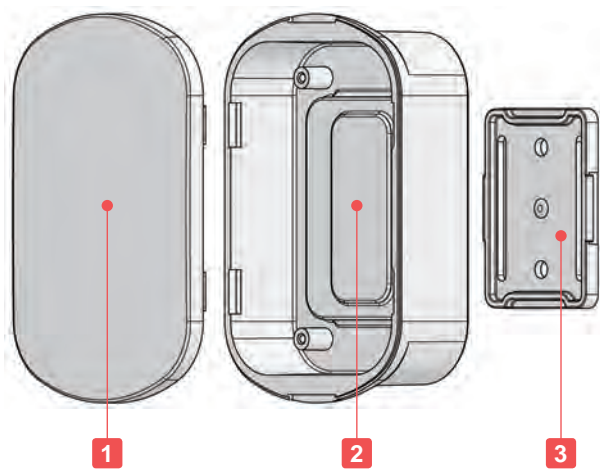
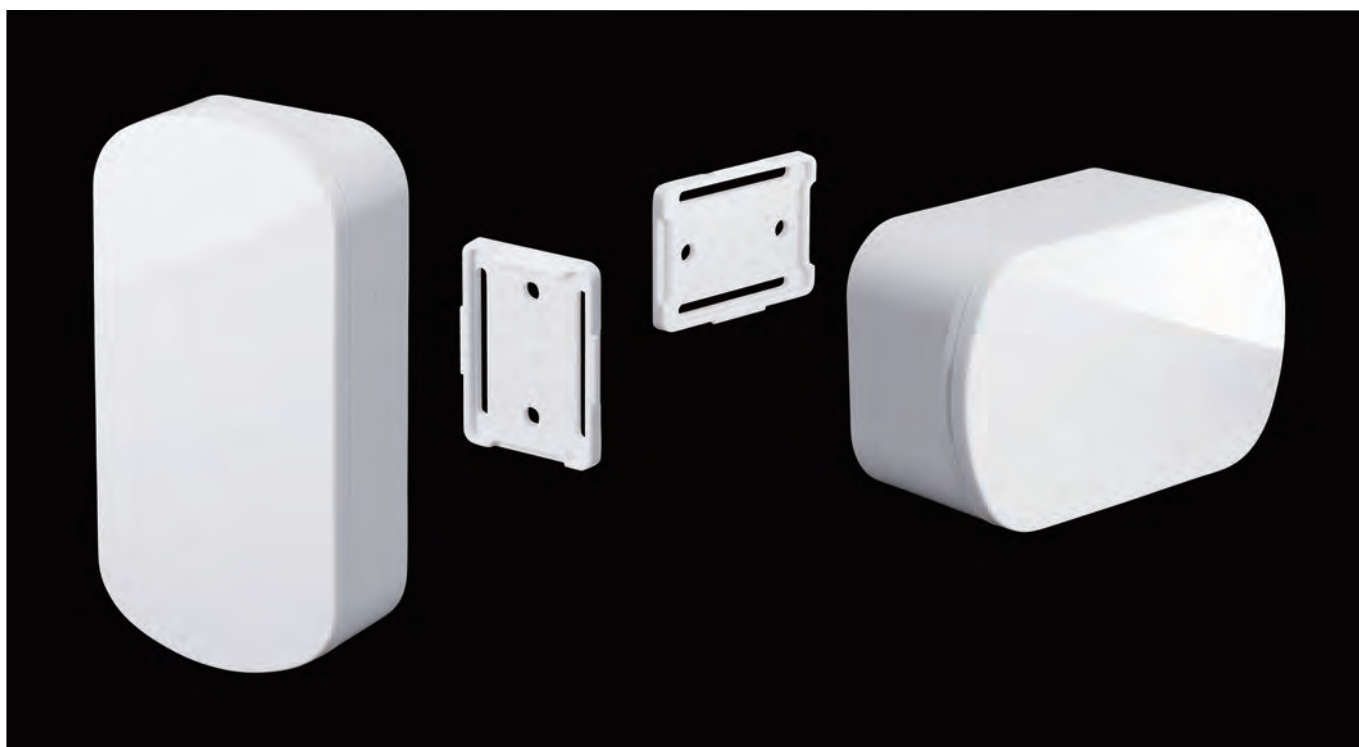
Remote Controller



Security Sensor

USB Data Logger





Technical Data
Protection class: IP40
Operating temperature: -30°C ~ +60°C

*May become brittle and break under impact when temperature is lowered close to -30°C.

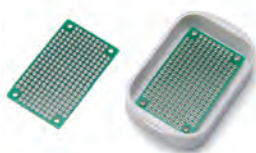
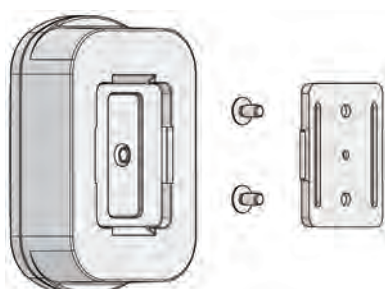
- Small rounded design plastic case ideal for use as IoT devices.
- Easily attached to, or detached from the wall by using the wall mounting bracket.
- Made of weather-resistant ASA material. Suitable for devices intending to be used under direct sunlight.
- Optional universal PCB, PCB32-53 is compatible with SIM5-7-2 and 5-7-3 models. See PCB series on our website for more details.

Components

No.	Part name	Pcs	Material	Color / Finish
1	Cover	1	Weather-resistant ASA UL94HB	Off-white / Polished
2	Base	1	Weather-resistant ASA UL94HB	Off-white / Polished
3	Wall mounting bracket	1	Weather-resistant ASA UL94HB	Off-white / Polished

Bracket installation

Accessories (Optional parts)



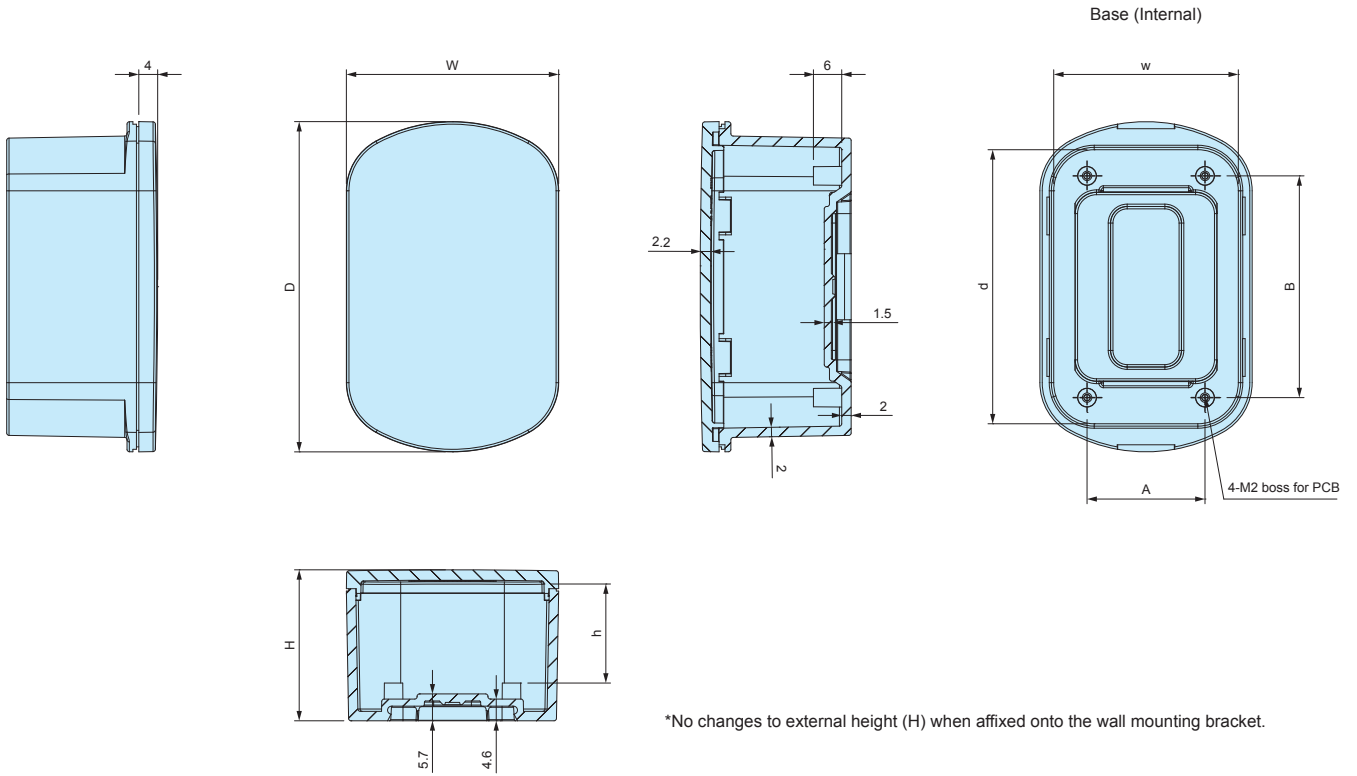
Universal PCB PCB series
See website



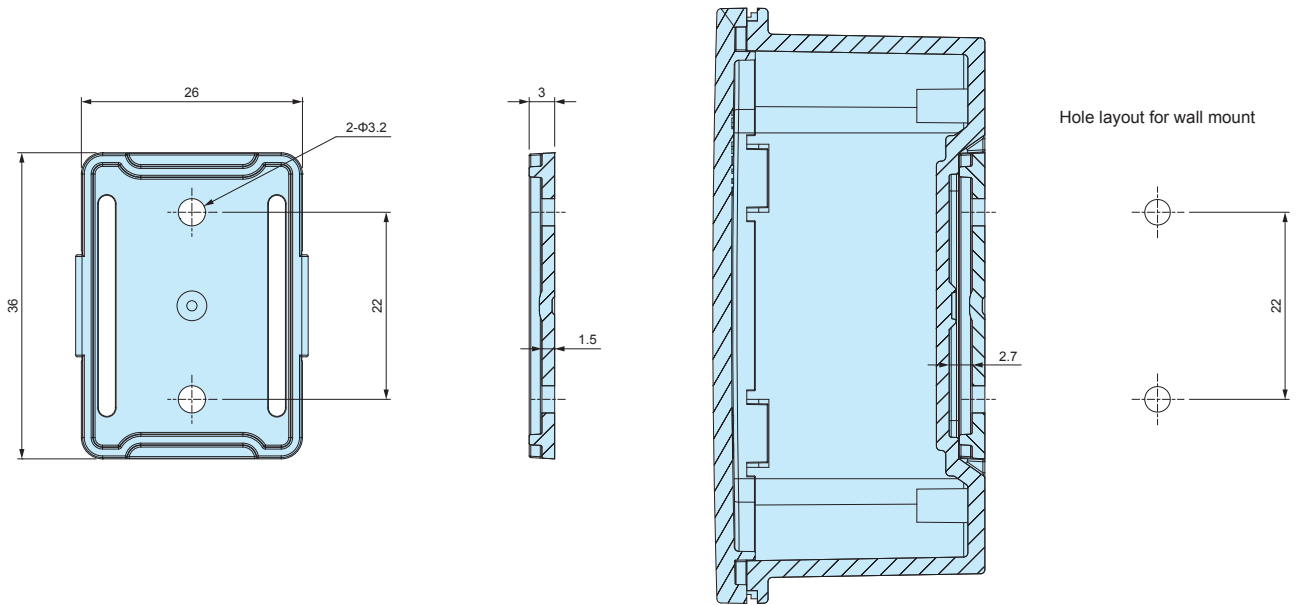
PCB mounting screw EM-2
See page 123

SIM dimensions

■ DXF/DWG/PDF/STP drawings available on our website.



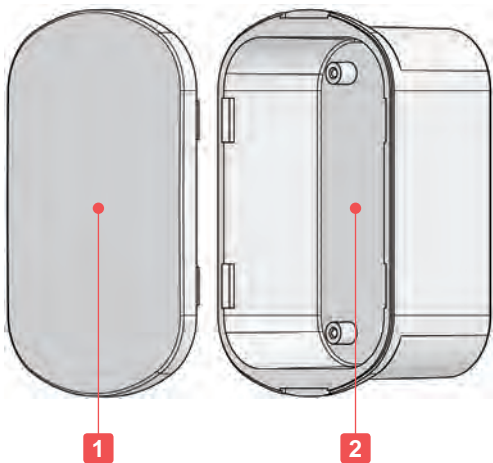
*No changes to external height (H) when affixed onto the wall mounting bracket.



■ M3 screws for installation of bracket on walls are not included.

Product no. / Dimensions

Product no.	External dimensions			Internal dimensions			Boss pitch		Weight (g)
	W	D	H	w	d	h	A	B	
NEW SIM5-5-2W	45	50	23	39.4	38.5	10.9	25	27	17.8
NEW SIM5-5-3W	45	50	33	39	38.1	20.9	25	27	20.9
SIM5-7-2W	45	70	22	39.4	58.4	10.9	25	47	22.8
SIM5-7-3W	45	70	32	39.1	58	20.9	25	47	25.9
SIM5-9-2W	45	90	22	39.4	78.4	10.9	25	67	27.7
SIM5-9-3W	45	90	32	39.1	78	20.9	25	67	32.3



Technical Data
Protection class : IP40
Operating temperature
Black (ABS) : -10°C ~ +60°C
Off-white (ASA) : -30°C ~ +60°C

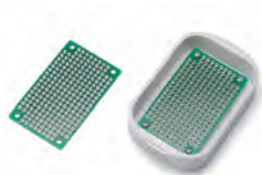
*May become brittle and break under impact when temperature is lowered close to -30°C.

- Small rounded design plastic case ideal for use as IoT devices.
- Easy and tool-less assembly snap-in case.
- While being small in size, there is ample internal space by utilization of the snap-in structure.
- The polished surface also provides a high-end finish and gives off a superior quality and feel while having superb cost performance.
- Off-white models are made of weather-resistant ASA material. Suitable for devices intending to be used under direct sunlight.
- Optional universal PCB, PCB32-53 is compatible with SIC5-7-2 and 5-7-3 models. See PCB series on our website for more details.

Components

No.	Part name	Pcs	Material	Color / Finish
1	Cover	1	ABS UL94HB	Black / Polished
			Weather-resistant ASA UL94HB	Off-white / Polished
2	Base	1	ABS UL94HB	Black / Polished
			Weather-resistant ASA UL94HB	Off-white / Polished

Accessories (Optional parts)



Universal PCB PCB series
See website



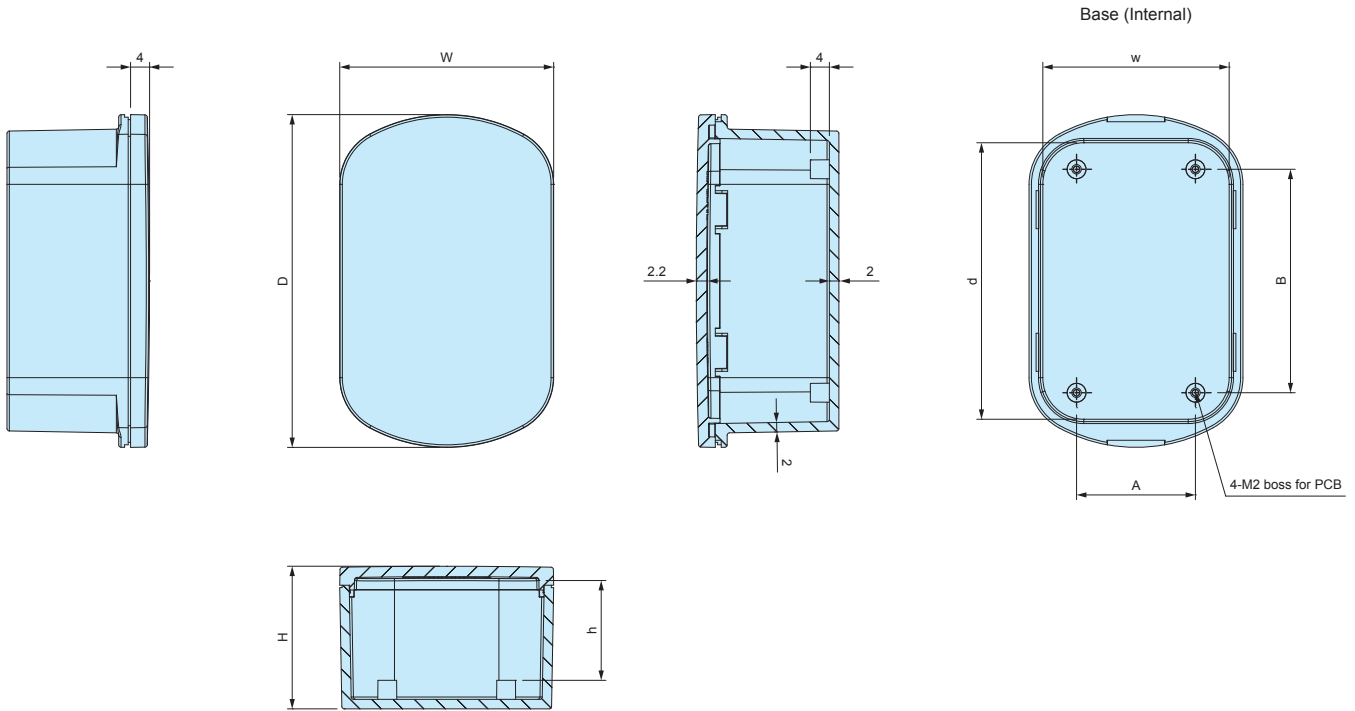
PCB mounting screw EM-2
See page 123



Neodymium magnet NMG series
See page 117

SIC dimensions

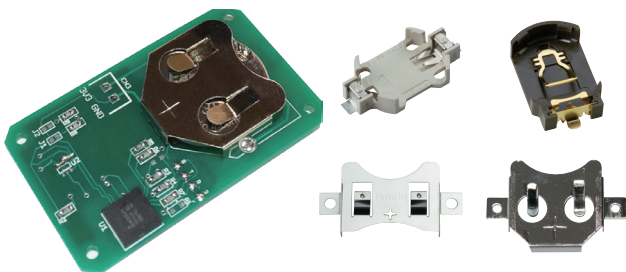
DXF/DWG/PDF/STP drawings available on our website.



Product no. / Dimensions

Product no.		External dimensions			Internal dimensions			Boss pitch		Weight (g)
● Black	● Off-white	W	D	H	w	d	h	A	B	
NEW SIC5-5-2B	NEW SIC5-5-2W	45	50	20	39.5	38.5	10.9	25	27	14.9
NEW SIC5-5-3B	NEW SIC5-5-3W	45	50	30	39.1	38.1	20.9	25	27	18.1
SIC5-7-2B	SIC5-7-2W	45	70	20	39.5	58.5	10.9	25	47	20.1
SIC5-7-3B	SIC5-7-3W	45	70	30	39.1	58.1	20.9	25	47	24.1
SIC5-9-2B	SIC5-9-2W	45	90	20	39.5	78.5	10.9	25	67	24.9
SIC5-9-3B	SIC5-9-3W	45	90	30	39.1	78.1	20.9	25	67	29.4

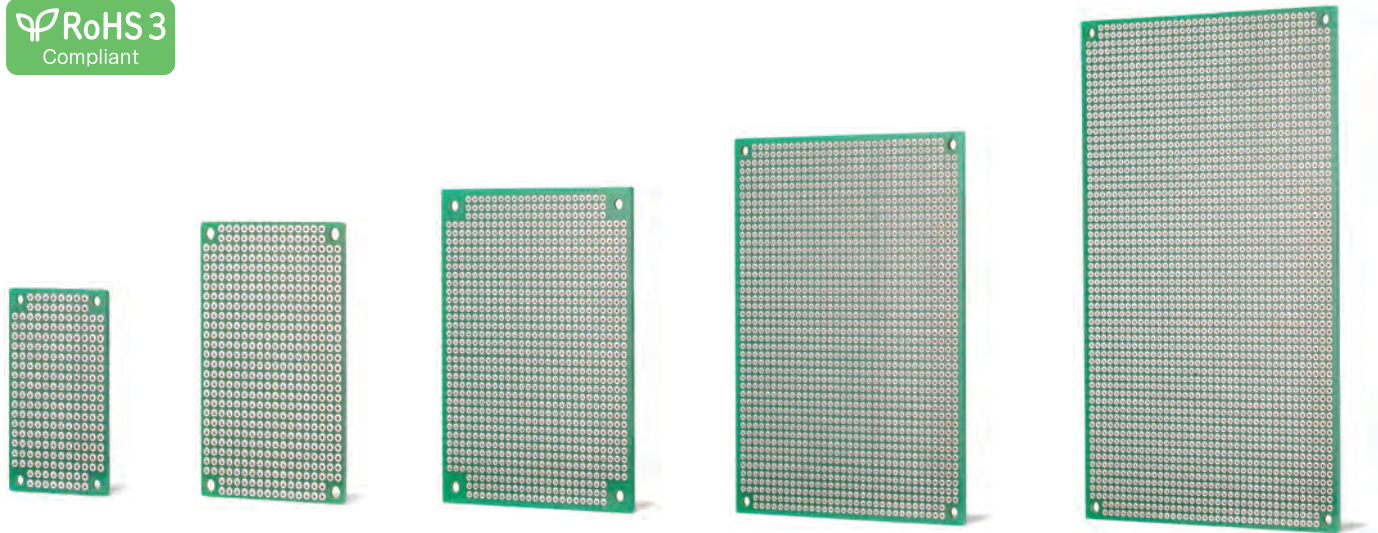
Accessories (Optional parts) COIN CELL BATTERY HOLDERS



- Various coin cell battery holders can be utilized. See coin cell battery holders on our website for more details. Refer to the chart for compatible holders.
- Chart on the right is based upon mounting onto a 1.2mm thick PCB.
- Please note that depending on the mounting location, PCB may not be able to be properly affixed on.

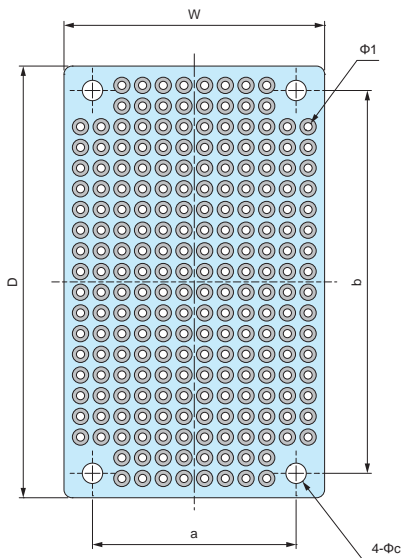
COMPATIBLE COIN CELL BATTERY HOLDERS CHART

Product no.	Compatible coin cell battery holders
SIC5-7-2 □ SIC5-9-2 □	SMTU357 • 1220 (G) • 1225 • 1632 (G) • 2-2016 SMTU2032 (G) • 2430 • 2450 HU357 • 1220 • 1225 • 1632 • 2032 • 2430 • 2450 PB621, PD23, BCR20H4, BCR20H5, CH7410 BK-879, 5091, 5067, 888 SMTM1632, 2032
SIC5-7-3 □ SIC5-9-3 □	SMTU357 • 1220 (G) • 1225 • 1632 (G) • 2-2016 SMTU2032 (G) • 2430 • 2450 • 2477 HU357 • 1220 • 1225 • 1632 • 2032 • 2430 • 2450 • 2477 PB621, PD23, BCR20H4 • 20H5, BH-50N, CH7410 BK-879, 5091, 5067, 888 SMTM1632 • 2032



■ Detailed DXF/DWG/PDF drawings available online.

- Plated Through Holes (PTH) type PCB with a 2.54mm hole-to-hole pitch. Inexpensive and economical PCB made using robust, heat-resistant and non-conductive glass epoxy.
- Easily mounted onto bosses or standoffs via the mounting holes at each corner.
- Environmentally friendly lead-free solder. RoHS3 compliant.
- 5 different sizes available, with PCB100-160 being of Eurocard (3U) format size.



Accessories (Optional parts)



Adhesive standoff AST series
See page AST-1



Adhesive standoff ASR series
See page ASR-1

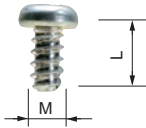
Material / Finish : Glass epoxy (FR-4) / Through-hole - Lead-free solder resist

Product no. / Dimensions

Product no.	W	D	a	b	c	t	Mounting screw	Pack of
PCB 32- 53	32	53	25	47	2.5	1.2	M2 or M2.5	1
PCB 47- 72	47	72	41	66	3.2	1.2	M3	1
PCB 72- 95	72	95	62	85	3.2	1.2	M3	1
PCB 90-120	90	120	82	112	3.2	1.6	M3	1
PCB100-160	100	160	92	152	3.2	1.6	M3	1

EM series

PCB MOUNTING SCREW



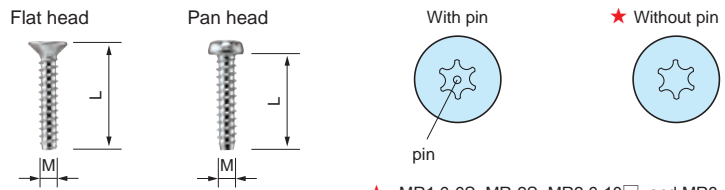
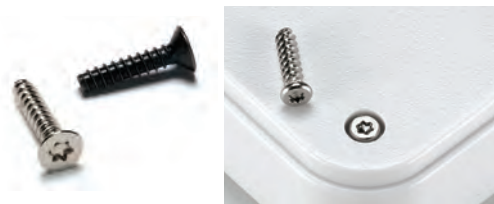
- Self-tapping screws for mounting PCB on bosses or standoffs.
- EM-3-6 self-tapping screws are suitable for mounting 1.6mm or thicker PCB.

Product no. / Dimensions

Product no.	M	L	Material	Finish	suitable models	Pack of
EM-1.6	1.6	4	Steel	Trivalent chromate	CSS • CS WC • PS (M1.6 boss models)	50
EM-2	2	5	Steel	Trivalent chromate	SIC • SIM • WC • PS • TW • TWN • TWF WC • WP (M2 boss models)	50
EM-2.3	2.3	6	Steel	Trivalent chromate	WH • LC • LCT • LCS • LCE • PFE WSC (Top cover bosses) PF • PFF (M2.3 boss models) TW • TWN • TWF (M2.3 boss models) WP (M2.3 boss models)	50
EM-2.3-8	2.3	8	Steel	Trivalent chromate	WSC (Bottom base bosses)	50
EM-2.6	2.6	6	Steel	Trivalent chromate	PF • PFF • WP (M2.6 boss models)	50
EM-3	3	5	Steel	Trivalent chromate	TWS • TW • TWN • TWF (M3 boss models)	50
EM-3-6	3	6	Steel	Trivalent chromate		50

MR series

TORX SCREW



★ : MR1.6-6S, MR-2S, MR2.6-10□, and MR3-14□ are without pin.

Product no. / Dimensions

★ Mark = Without pin

Product no.	M	L	head no.	Head style	Material	Finish	Suitable models	Pack of
MR1.6-6S★	1.6	6	T3	Pan	Steel	Nickel plated	CSS • CS	20
MR2.5-8PS	2.5	8	T8	Pan	Steel	Nickel plated	PF • PFE • PFF (M2.5 boss models)	20
MR2.6-10S★	2.6	10	T8	Flat	Steel	Nickel plated	TW • TWN (M2.6 boss models) TWF (M2.6 boss models)	20
MR2.6-10B★	2.6	10	T8	Flat	Steel	Black trivalent chromate	MX • MXA • MXB • MXF (M2.6 boss models)	20
MR2.6-12PS	2.6	12	T8	Pan	Steel	Nickel plated	LCT • LCS • LC115-F2 / F3 LCT • LCS • LC145S-F6	20
MR2.6-14PS	2.6	14	T8	Pan	Steel	Nickel plated	LCT • LCS • LC115H-F2 / F3 / M2 / 9V LCT • LCS • LC135-F4 / M2 / M3 / 9V LCT • LCS • LC135H-F4 / M2 / M3 / 9V LCT • LCS • LC145-F6 / M2 / M4 LCT • LCS • LC145H-F6 / M2 / M4 LCT • LCS • LC165-M4 LCT • LCS • LC165H-M4	20
MR2.6-14S	2.6	14	T8	Flat	Steel	Nickel plated	LCT • LCS • LC115-N / F2 / F3 LCT • LCS • LC145S-F6 / 145S-N LCE115-N TW • TWN7-2-11 / 7-4-11 / 7-5-11 TWF7-2-11 / 7-4-11 / 7-5-11 / 8-2-8 / 8-4-8	20
MR2.6-18S	2.6	18	T8	Flat	Steel	Nickel plated	LCT • LCS • LC115H-N / F2 / F3 / M2 / 9V LCT • LCS • LC135-N / F4 / M2 / M3 / 9V LCT • LCS • LC135H-N / F4 / M2 / M3 / 9V LCT • LCS • LC145-N / F6 / M2 / M4 LCT • LCS • LC145H-N / F6 / M2 / M4 LCT • LCS • LC165-N / M4 LCT • LCS • LC165H-N / M4 LCE115H-N • LCE135-N • LCE145H-N • LCE165H-N	20
MR3-8PS	3	8	T10	Pan	Steel	Nickel plated	PF • PFE • PFF (M3 boss models)	20
MR3-14S★	3	14	T10	Flat	Steel	Nickel plated	TW • TWN (M3 boss models) TWF (M3 boss models)	20
MR3-14B★	3	14	T10	Flat	Steel	Black trivalent chromate	MX • MXA • MXB • MXF (M3 boss models)	20
MR-1S	3	5	T10	Flat	Steel	Nickel plated	UC	20
MR-1B	3	5	T10	Flat	Steel	Black trivalent chromate		20

NMG series

NEODYMIUM MAGNET

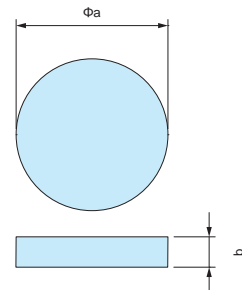
Round magnet

DXF/DWG/PDF drawings available on our website.



- Material / Finish: Neodymium / Nickel plated
- Please attach using a strong adhesive.

NMG dimensions

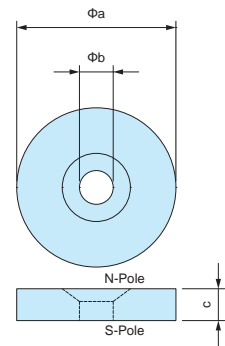


Components

Product no.	a	b	Weight (g)	Flux Density	Absorption
NMG3-15N	15	3	4	214.4 mT	2.44 kgf
NMG3-20N	20	3	7.1	170.7 mT	3.26 kgf
NMG5-22N	22	5	11.4	247.2 mT	5.91 kgf
NMG5-25N	25	5	18.4	221.9 mT	6.89 kgf

Round magnet with countersunk hole

- Please fasten with a screw.

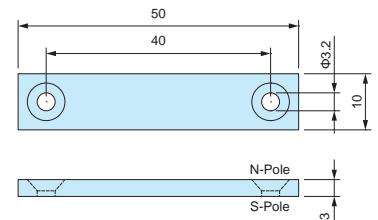


Components

Product no.	a	b	c	Countersunk size	Weight (g)	Flux Density	Absorption
NMG3-15M3	15	3.2	3	M3	3.8	214.3 mT	2.33 kgf
NMG3-20M3	20	3.2	3	M3	6.9	170.6 mT	3.17 kgf
NMG5-22M4	22	4.3	5	M4	13.7	247.2 mT	5.68 kgf
NMG5-25M5	25	5.3	5	M5	17.6	221.9 mT	6.58 kgf

Rectangular magnet with countersunk holes

- Please fasten with a screw.



Components

Product no.	a	b	c	Countersunk size	Weight (g)	Flux Density	Absorption
NMG3-50M3	50	10	3	M3	11.3	210.0 mT	9.1 kgf

Example 1 The magnetic force remains strong even through plastic.

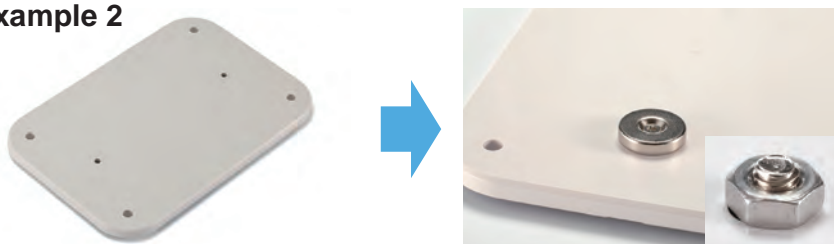


Make recessed pocket on the inside wall.

Glue on.

Attach onto a metallic surface.

Example 2

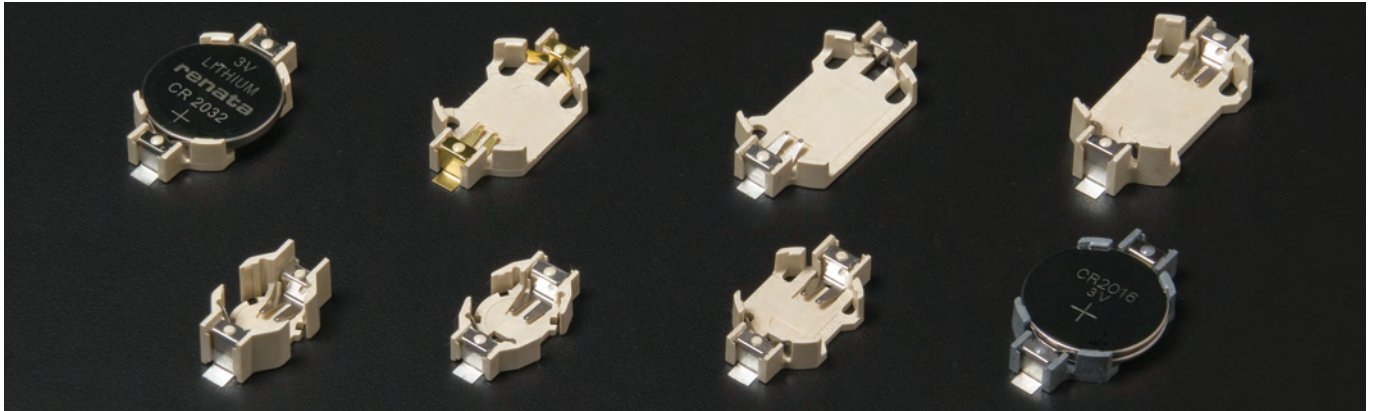


Make holes

Fasten with a screw and nut.

Attach onto a metallic surface.

CAUTION: Handle with care to avoid personal injury or damage to the magnet.

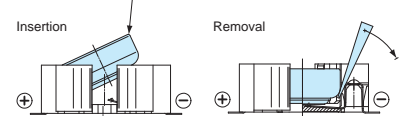


- Coin cell holder for 9 different coin cell types.
- Surface mount type with compact body.
- Heat resistant glass fiber filled LCP for lead free reflow soldering.
- Tape reel packages (-TR models) are available for bulk purchase.
- SMTU1220-G, SMTU1632-G and SMTU2032-1-G are gold plated models.

Technical Data

Operating temperature: -40°C ~ +100°C

How to replace a coin cell.



Components

Holder material	Holder color	Contact material	Contact finish
Glass fiber filled LCP (UL94V-0)	Ivory (Gray for SMTU2-2016)	SUS301	Battery contact : Nickel plated • Soldered area : Sn plated over nickel Gold plated over nickel (SMTU1220G • 1632-G • 2032-1-G models)

Product no. / Feature

Product no.	Matching coin cell	Contact type	Weight (g)	Pack of
SMTU357	LR44 / SR44	Surface mount x 2	0.9	1
SMTU1220	CR1220	Surface mount x 2	0.8	1
SMTU1220-G	CR1220	Surface mount x 2	0.8	1
SMTU1225	CR1225	Surface mount x 2	0.7	1
SMTU1632	CR1632	Surface mount x 2	0.8	1
SMTU1632-G	CR1632	Surface mount x 2	0.8	1
SMTU2-2016	CR2016x2 *1	Surface mount x 2	1.0	1
SMTU2032	CR2032	Surface mount x 2	1.0	1
SMTU2032-1-G	CR2032	Surface mount x 2	1.0	1
SMTU2430	CR2430	Surface mount x 2	1.0	1
SMTU2450	CR2450 *2	Surface mount x 2	1.5	1
NEW SMTU2477	CR2477 *3	Surface mount x 2	1.7	1
SMTU357-T	LR44 / SR44	Surface mount x 2	—	50 pcs / tray
SMTU1220-TR	CR1220	Surface mount x 2	—	750 pcs / reel
SMTU1220-G-TR	CR1220	Surface mount x 2	—	750 pcs / reel
SMTU1225-TR	CR1225	Surface mount x 2	—	750 pcs / reel
SMTU1632-T	CR1632	Surface mount x 2	—	50 pcs / tray
SMTU1632-G-TR	CR1632	Surface mount x 2	—	520 pcs / reel
SMTU2032-TR	CR2032	Surface mount x 2	—	485 pcs / reel
SMTU2032-1-G-TR	CR2032	Surface mount x 2	—	485 pcs / reel
SMTU2430-TR	CR2430	Surface mount x 2	—	490 pcs / reel
SMTU2450-TR	CR2450 *2	Surface mount x 2	—	350 pcs / reel
NEW SMTU2477-TR	CR2477 *3	Surface mount x 2	—	250 pcs / reel

*1 • *2 : Some coin cells are not suitable for SMTU2-2016 and SMTU2450. Please refer to the chart below.

To use a non-listed coin cell, please check and confirm before use.

*3 SMTU2477 can only be used with a Renata coin cell.

SMTU-2016 Suitability Chart

Brand (Product no.)	Suitability
FDK (CR2016C)	○
maxell (CR2016 1BS)	○
MITSUBISHI (CR2016)	○
Panasonic (CR2016)	×
renata (CR2016 MFR)	○
SONY (CR2016-ECO)	○
TOSHIBA (CR2016EC)	○

Reason for × : Coin cell is too thin.

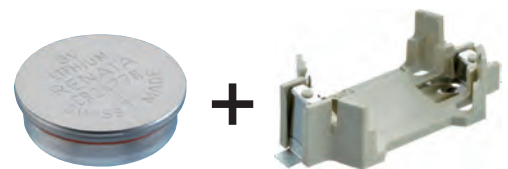
SMTU2450 Suitability Chart

Brand (Product no.)	Suitability
FDK (CR2450C)	○
maxell (CR2450)	○
maxell (CR2450HR)	×
maxell (CR2450HR-Ex)	×
MITSUBISHI (CR2450B)	○
Panasonic (CR2450)	×
renata (CR2450N)	○
SANYO (CR2450-1BP)	○
SONY (CR2450B-ECO)	○

Reason for × : Coin cell shape does not fit.

SMTU2477 can only be used with a Renata coin cell.

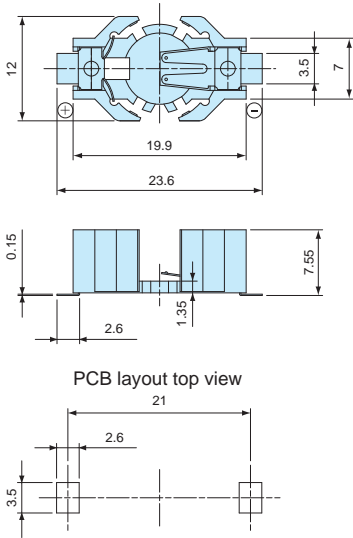
SMTU2477 is exclusively designed for use with a Renata CR2477N coin cell.



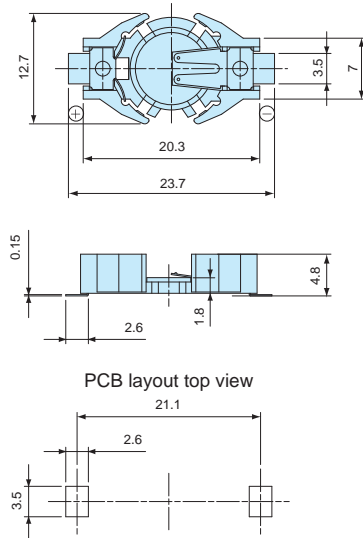
SMTU dimensions

DXF/DWG/PDF drawings available on our website.

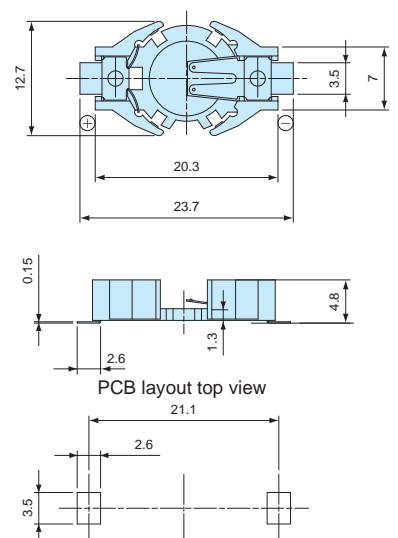
SMTU357



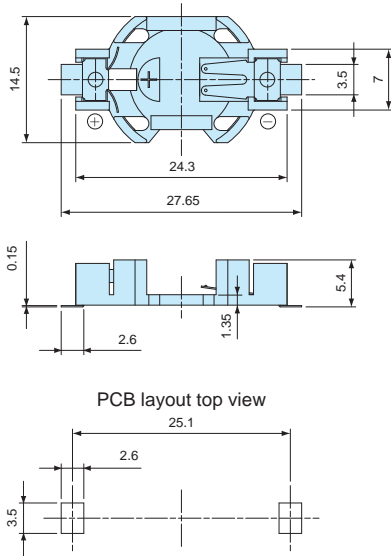
SMTU1220 / 1220-G



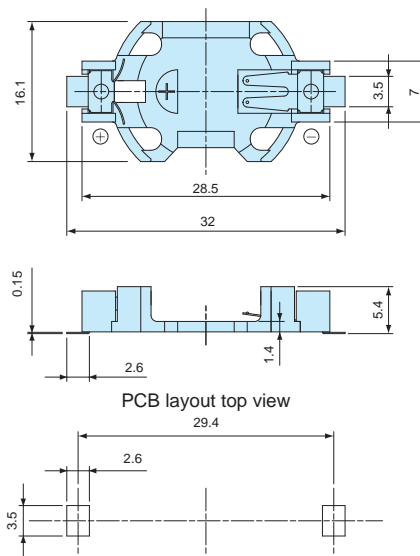
SMTU1225



SMTU1632 / 1632-G



SMTU2032 / 2032-1-G / 2-2016

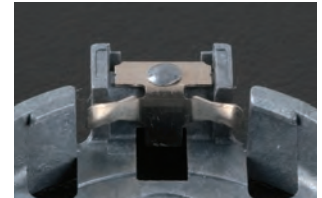


External dimensions of SMTU2032 and SMTU2-2016 are similar. However, each holder has a different positive contact and holder color. Refer to the images below.

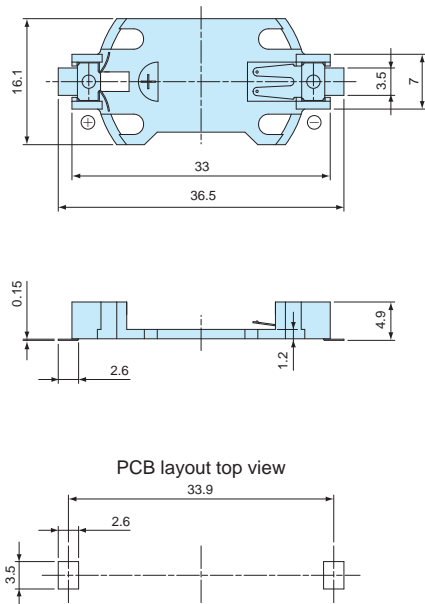
SMTU2032



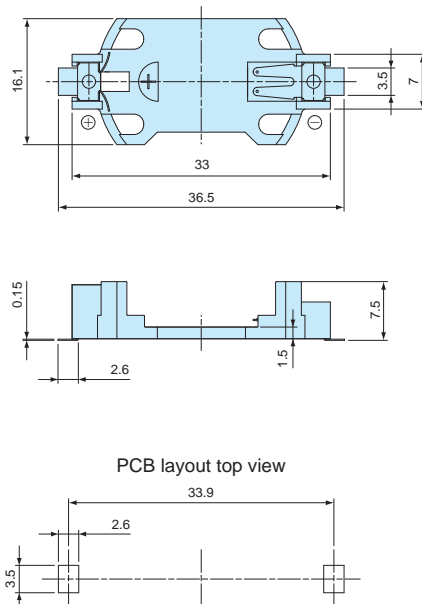
SMTU2-2016



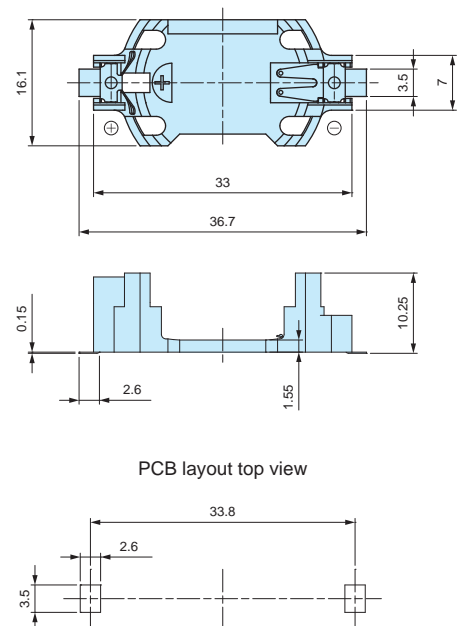
SMTU2430



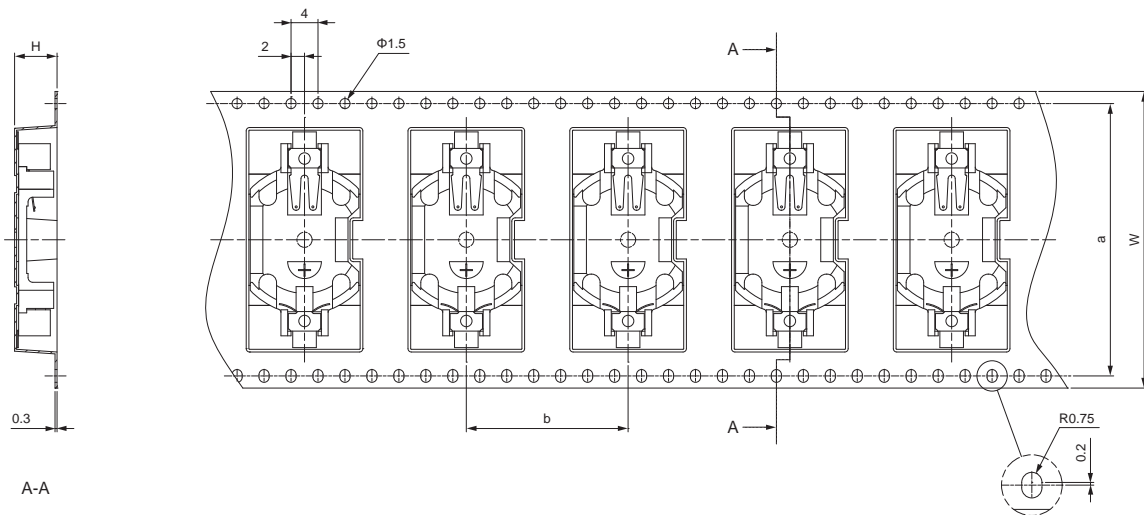
SMTU2450



SMTU2477



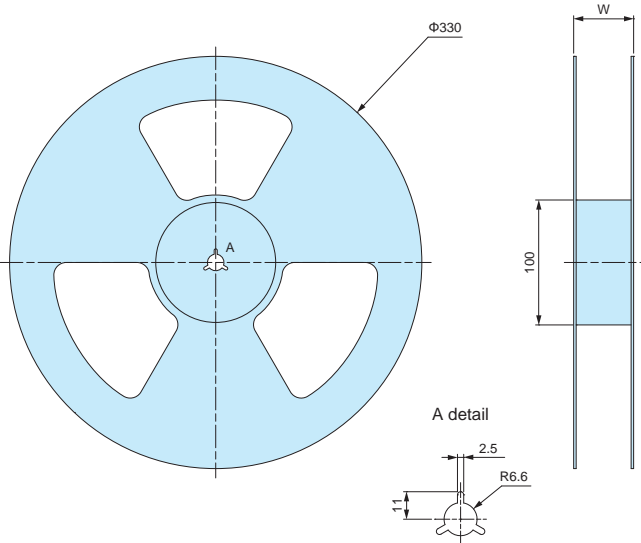
Tape dimensions



※Holder storage spacing will vary depending on model.

Product no.	W	H	a	b
SMTU1220-TR	44	6	40.4	16
SMTU1220-G-TR	44	6	40.4	16
SMTU1225-TR	44	6	40.4	16
SMTU1632-G-TR	44	6.1	40.4	20
SMTU2032-TR	44	6.3	40.4	24
SMTU2032-1-G-TR	44	6.3	40.4	24
SMTU2430-TR	56	6	52.4	24
SMTU2450-TR	56	8.5	52.4	24
SMTU2477-TR	56	10.8	52.4	24

Reel dimensions



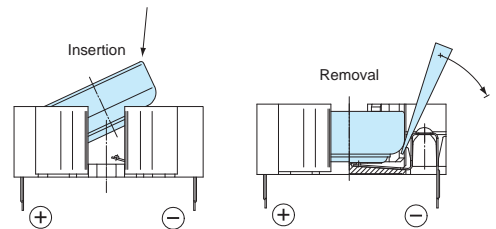
Product no.	Pcs / Reel	w
SMTU1220-TR	750	48.5
SMTU1220-G-TR		
SMTU1225-TR	750	48.5
SMTU1632-G-TR	520	48.5
SMTU2032-TR	485	48.5
SMTU2032-1-G-TR		
SMTU2430-TR	490	61.5
SMTU2450-TR	350	61.5
SMTU2477-TR	250	61.5



- Coin cell holder for 8 different coin cell types.
- Through-hole type with pins in a compact body.
- Heat resistant glass fiber filled LCP for lead-free reflow soldering.

Technical Data
Operating temperature: -40°C ~ +100°C

How to replace a coin cell.



Components

Holder material	Holder color	Contact material	Contact finish
Glass fiber filled LCP (UL94V-0)	Ivory	SUS301	Nickel plated • Sn plated over nickel Gold plated over nickel (HU2032-G)

Battery contact : Nickel plated • Soldered area : Sn plated over nickel

Product no. / Feature

Product no.	Matching coin cell	Contact type	Weight (g)	Pack of
HU357	LR44/SR44	Through hole x 3	0.8	1
HU1220	CR1220	Through hole x 3	0.8	1
HU1225	CR1225	Through hole x 3	0.7	1
HU1632	CR1632	Through hole x 3	0.8	1
HU2032	CR2032	Through hole x 3	1.0	1
NEW HU2032-G	CR2032	Through hole x 3	1.0	1
HU2430	CR2430	Through hole x 3	1.1	1
HU2450	CR2450 * ¹	Through hole x 3	1.5	1
HU2477	CR2477 * ²	Through hole x 3	1.7	1
HU1220-T	CR1220	Through hole x 3	—	50 pcs / tray
HU1225-T	CR1225	Through hole x 3	—	50 pcs / tray
HU1632-T	CR1632	Through hole x 3	—	50 pcs / tray
HU2032-T	CR2032	Through hole x 3	—	50 pcs / tray
NEW HU2032-G-T	CR2032	Through hole x 3	—	50 pcs / tray
HU2430-T	CR2430	Through hole x 3	—	50 pcs / tray
HU2450-T	CR2450 * ¹	Through hole x 3	—	50 pcs / tray
HU2477-T	CR2477 * ²	Through hole x 3	—	50 pcs / tray

*¹: Some coin cells are not suitable for HU2450. Please refer to the chart below.

To use a non-listed coin cell, please check and confirm before use.

*² HU2477 can only be used with a Renata coin cell.

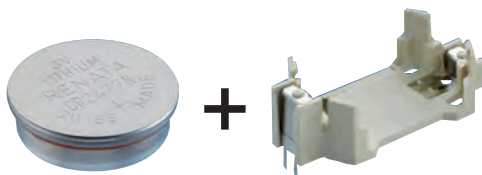
*¹ HU2450 Suitability Chart

Brand (Product no.)	Suitability
FDK (CR2450C)	○
maxell (CR2450)	○
maxell (CR2450HR)	×
maxell (CR2450HR-Ex)	×
mitsubishi (CR2450B)	○
Panasonic (CR2450)	×
renata (CR2450N)	○
SANYO (CR2450-1BP)	○
SONY (CR2450B-ECO)	○

Reason for × : Coin cell shape does not fit.

*² HU2477 can only be used with a Renata coin cell.

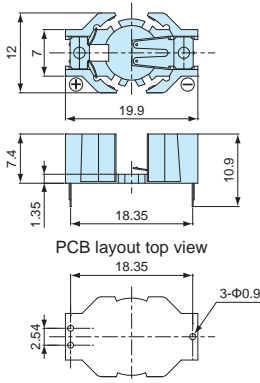
HU2477 is exclusively designed for use with a Renata CR2477N coin cell.



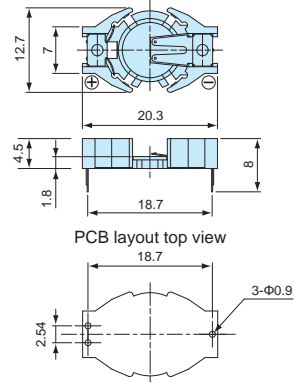
HU dimensions

■ DXF/DWG/PDF drawings available on our website.

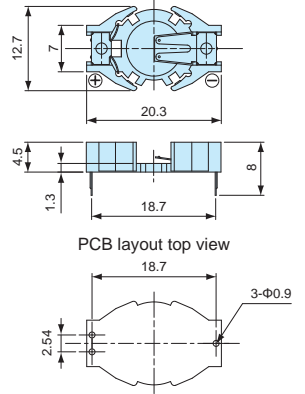
HU357



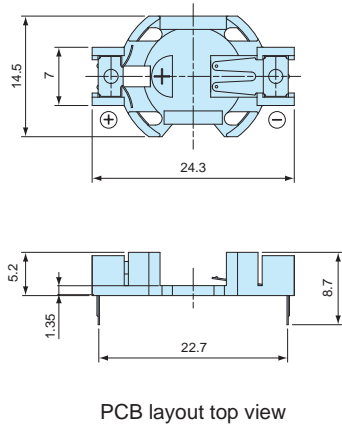
HU1220



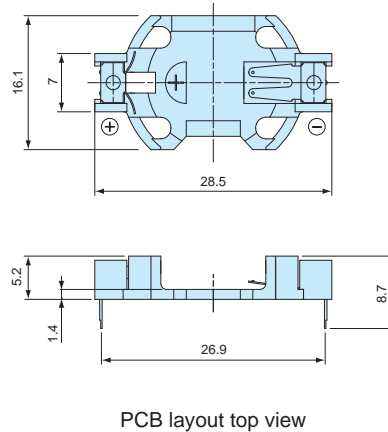
HU1225



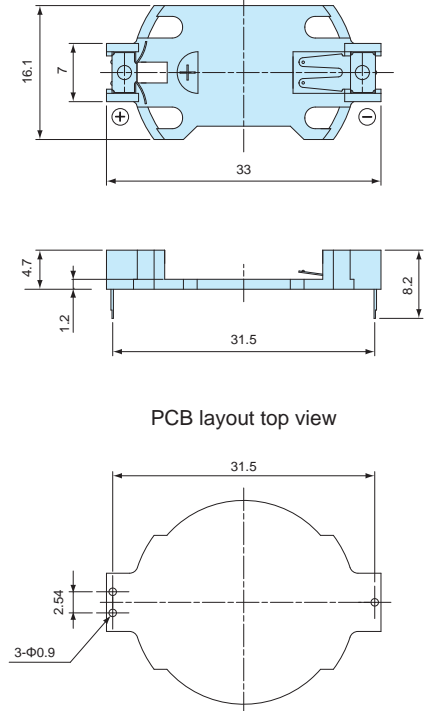
HU1632



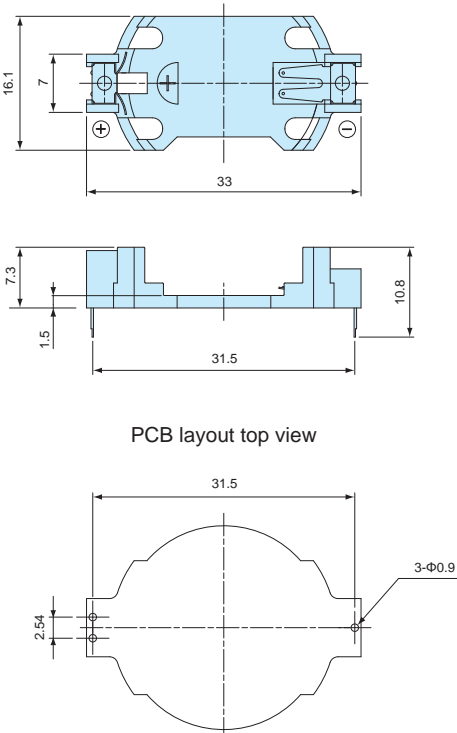
HU2032/HU2032-G



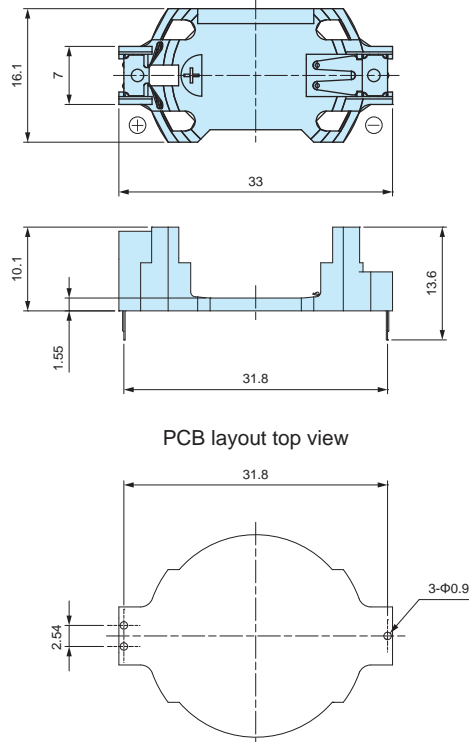
HU2430



HU2450

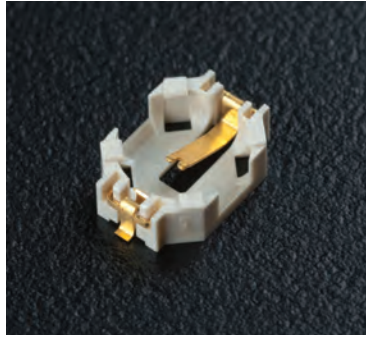


HU2477



PB621

ML621 • SR621 SMALL BATTERY HOLDER

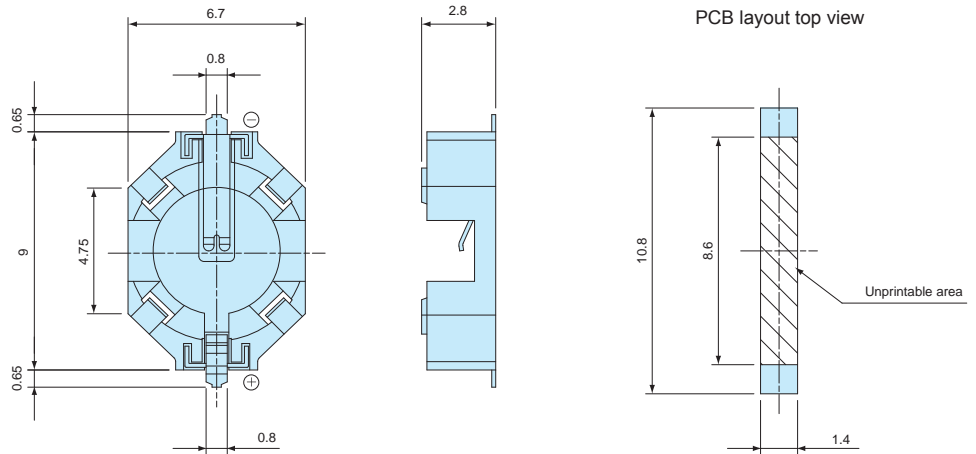


■ DXF/DWG/PDF drawings available on our website.

Technical Data

Operating temperature: -25°C ~ +85°C

- Heat resistant glass fiber filled LCP for lead free reflow soldering.



Components

Holder material	Holder color	Contact material	Contact finish
Glass fiber filled LCP (UL94V-0)	Ivory	Copper alloy	Gold plated

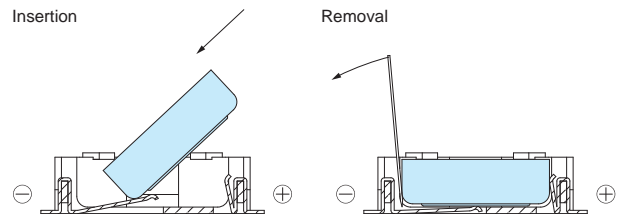
Product no. / Feature

Product no.	Matching battery	Contact type	Weight (g)	Pack of
PB621	ML621 / SR621	Surface mount x 2	0.1	10

NOTE

Be careful not to damage the holder when removing the battery without tools. Recommended to use a fine tipped stick or a flat head screwdriver to remove the battery.

How to replace a coin cell.



PD SERIES

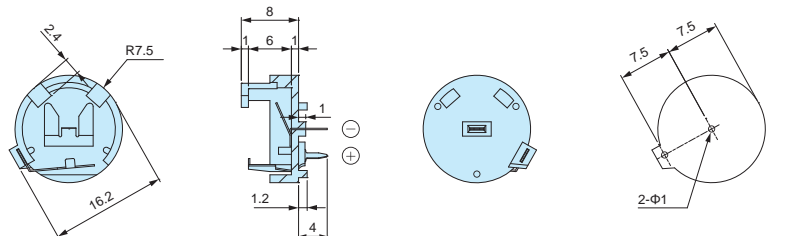
BUTTON BATTERY HOLDER



■ DXF/DWG/PDF drawings available on our website.

Technical Data

Operating temperature: -40°C ~ +80°C



Components

Holder material	Holder color	Contact material	Contact finish
PBT (UL94V-0)	Black	Phosphor bronze	Sn plated

NOTE

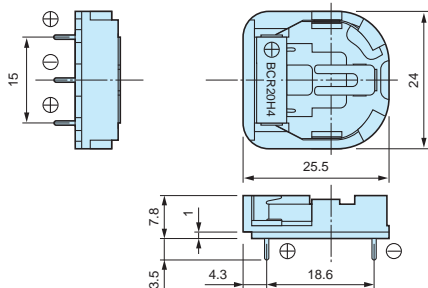
Insert battery fully in until it is completely flat, otherwise there may be a risk of short-circuiting.

Product no. / Feature

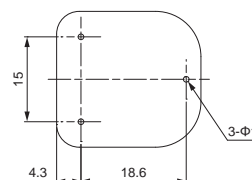
Product no.	Matching battery	Contact type	Weight (g)	Pack of
PD23	LR44 / SR44	Through hole pin x 2	0.7	1
PD23-T	LR44 / SR44	Through hole pin x 2	—	100

■ DXF/DWG/PDF drawings available on our website.

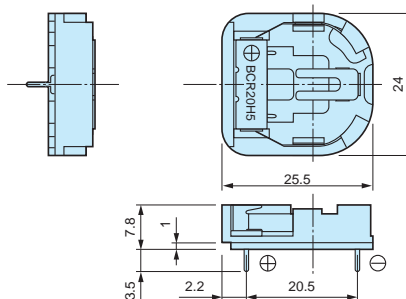
BCR20H4



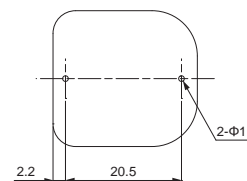
Installation hole layout



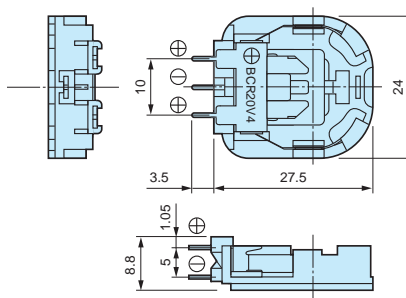
BCR20H5



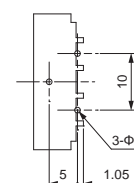
Installation hole layout



BCR20V4



Installation hole layout



Components

Holder material	Holder color	Contact material	Contact finish
PAR	Black	Stainless steel	Nickel plated

Technical Data

Operating temperature: -10°C ~ +85°C

Product no. / Feature

Product no.	Matching battery	Contact type	Weight (g)	Pack of
BCR20H4	CR2032	Through hole x 3	2.0	1
BCR20H5	CR2032	Through hole x 2	2.0	1
BCR20V4	CR2032	Through hole x 3	2.0	1
BCR20H4-T	CR2032	Through hole x 3	—	100 (20 pcs tray x 5)
BCR20H5-T	CR2032	Through hole x 2	—	100 (20 pcs tray x 5)
BCR20V4-T	CR2032	Through hole x 3	—	100 (20 pcs tray x 5)

BH-50N SERIES

CR2450 COIN CELL HOLDER



Technical Data
Operating temperature: -20°C ~ +70°C

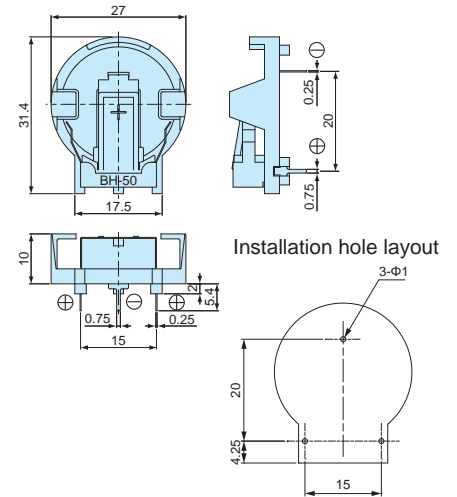
Components

Holder material	Holder color	Contact material	Contact finish
Polyphenylene oxide (UL94V-0)	Black	Stainless steel	Nickel plated

Product no. / Feature

Product no.	Battery	Contact type	Weight (g)	Pack of
BH-50N	CR2450	Through hole x 3	2.7	1
BH-50N-T	CR2450	Through hole x 3	—	50 pcs / tray

DXF/DWG/PDF drawings available on our website.



BV-50N SERIES

CR2450 VERTICAL COIN CELL HOLDER



Technical Data
Operating temperature: -20°C ~ +70°C

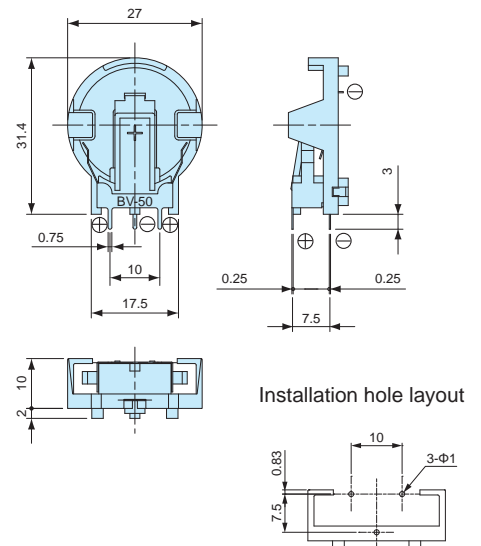
Components

Holder material	Holder color	Contact material	Contact finish
Polyphenylene oxide (UL94V-0)	Black	Stainless steel	Nickel plated

Product no. / Feature

Product no.	Battery	Contact type	Weight (g)	Pack of
BV-50N	CR2450	Through hole x 3	2.7	1
BV-50N-T	CR2450	Through hole x 3	—	50 pcs / tray

DXF/DWG/PDF drawings available on our website.



CH74 SERIES

CR2032 VERTICAL COIN CELL HOLDER



Technical Data
Operating temperature: -40°C ~ +80°C

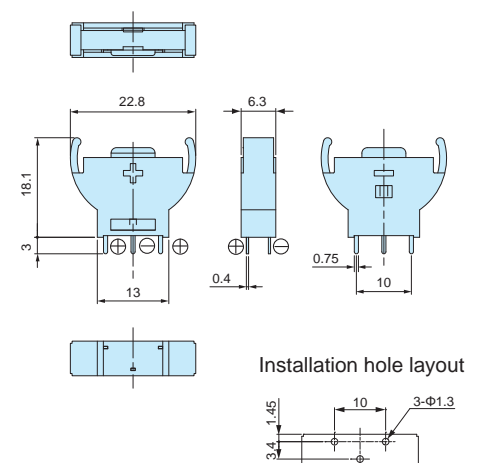
Components

Holder material	Holder color	Contact material	Contact finish
Nylon 66 (UL94V-0)	Black	Phosphor bronze	Sn plated

Product no. / Feature

Product no.	Battery	Contact type	Weight (g)	Pack of
CH74-2032LF	CR2032	Through hole x 3	1.8	1
CH74-2032LF-T	CR2032	Through hole x 3	—	75 pcs / tray

DXF/DWG/PDF drawings available on our website.



CST SERIES

BATTERY CONTACT



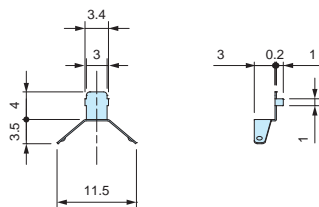
- Battery contact for CR2032, CR2450, and CR2477 coin cells.
- CST-2450 is not compatible with Renata CR2477N battery.
- CSS and CS series enclosures comes with appropriate battery contacts. Use CST series as spares or replacements.

Product no. / Feature

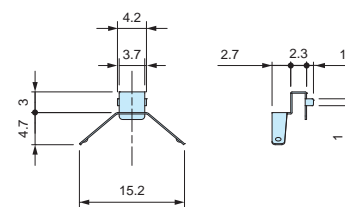
Product no.	Matching coin cell	Material / Finish	Contact type	Pack of
CST-2032P	CR2032	SUS304 / Nickel plated	Through hole x 2	10
CST-2032M	CR2032	SUS304 / Nickel plated	Through hole x 2	10
NEW CST-2450P	CR2450 / CR2477	SUS304 / Nickel plated	Through hole x 2	10
NEW CST-2450M	CR2450 / CR2477	SUS304 / Nickel plated	Through hole x 2	10

- Detailed DXF/DWG/PDF drawings available online.
- Refer to the photos for the contact direction when installing.

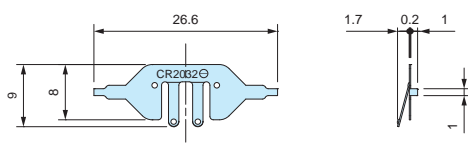
CST-2032P



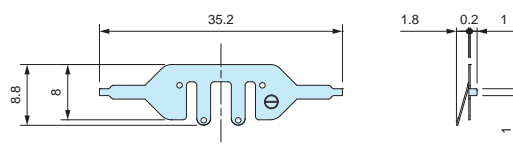
CST-2450P



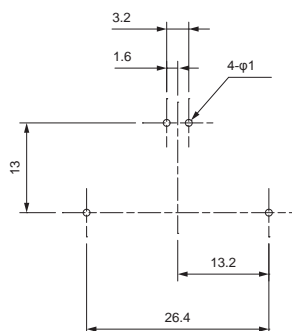
CST-2032M



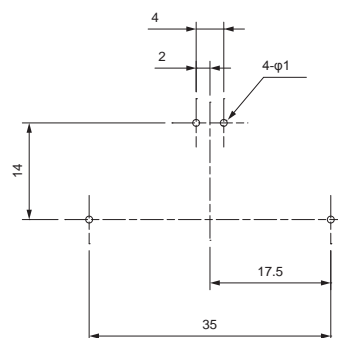
CST-2450M



Recommended PCB hole layout

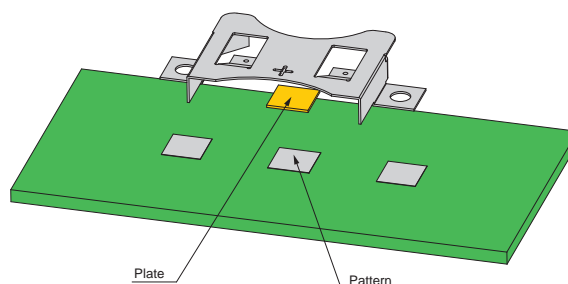


Recommended PCB hole layout





- Material / Finish : Phosphor bronze / Nickel plated
- Metal coin cell holder.
- Tape reel packages (-TR models) are available for bulk purchase.
- Make a negative pole on the PCB and place or solder a plate onto it. BK2032M negative contact can be used for SMTM2032 and BK-888.



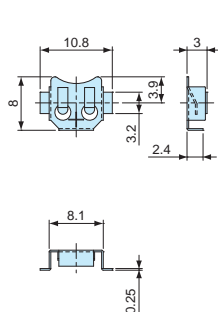
Product no. / Feature

Product no.	Matching coin cell	Contact type	Weight (g)	Pack of
BK-879	SR621/ML621	Surface mount x 2	0.2	10
BK-5091	LR44	Through hole x 2	0.5	10
NEW SMTM1225	CR1220/CR1225	Surface mount x 2	0.4	10
BK-890	CR1220/CR1225	Through hole x 2	0.4	10
SMTM1632	CR1632	Surface mount x 2	0.7	10
BK-869	CR1620/CR1632	Through hole x 2	0.7	10
BK-5067	CR2016	Surface mount x 2	0.8	10
SMTM2032	CR2032/CR2025	Surface mount x 2	0.9	10
BK-888	CR2032/CR2025	Through hole x 2	0.9	10
NEW SMTM1225-TR	CR1220/CR1225	Surface mount x 2	—	1,000 pcs / reel
SMTM1632-TR	CR1632	Surface mount x 2	—	700 pcs / reel
SMTM2032-TR	CR2032/CR2025	Surface mount x 2	—	600 pcs / reel

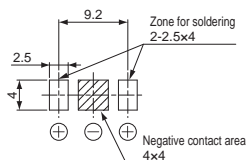
SMTM • BK dimensions

DXF/DWG/PDF drawings available on our website.

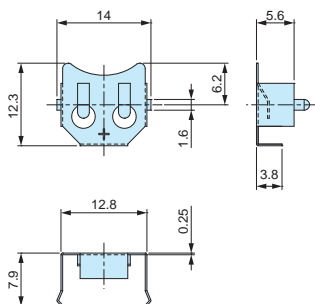
BK-879



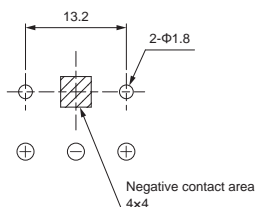
PCB layout top view



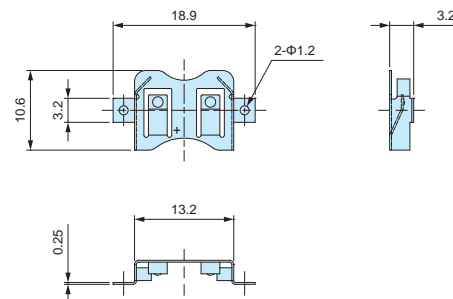
BK-5091



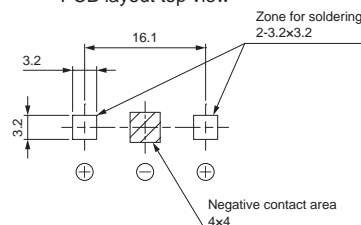
PCB layout top view



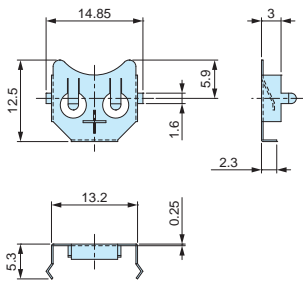
SMTM1225



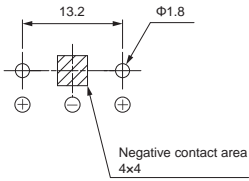
PCB layout top view



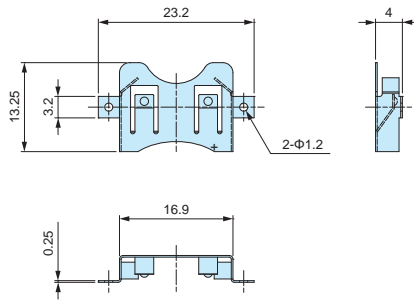
BK-890



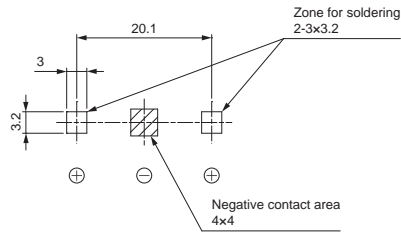
PCB layout top view



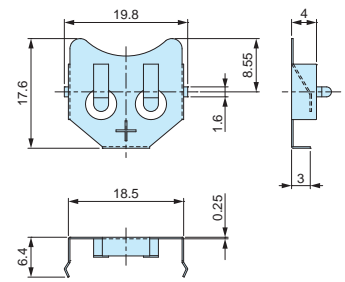
SMTM1632



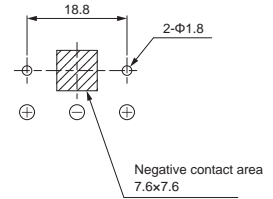
PCB layout top view



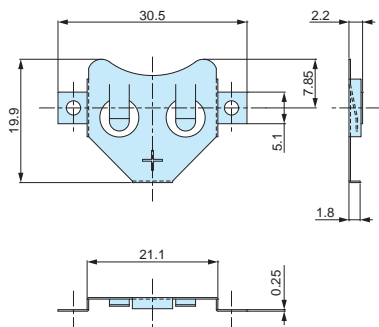
BK-869



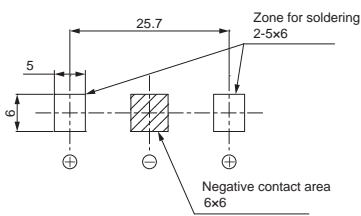
PCB layout top view



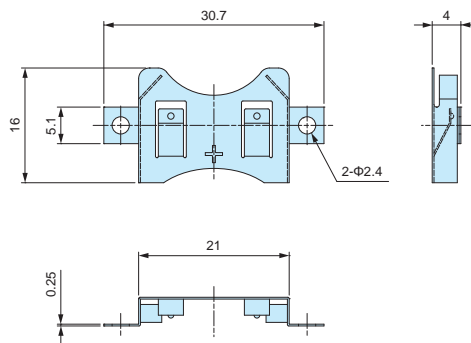
BK-5067



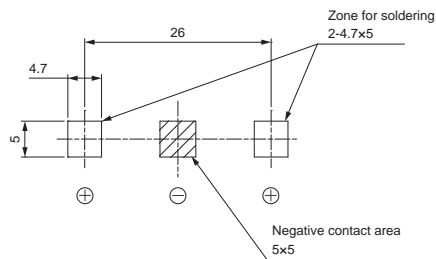
PCB layout top view



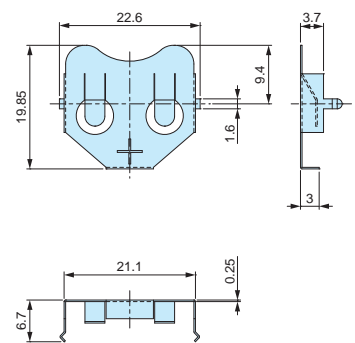
SMTM2032



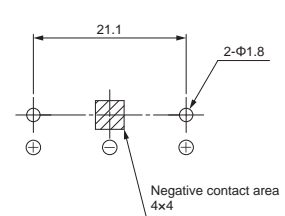
PCB layout top view



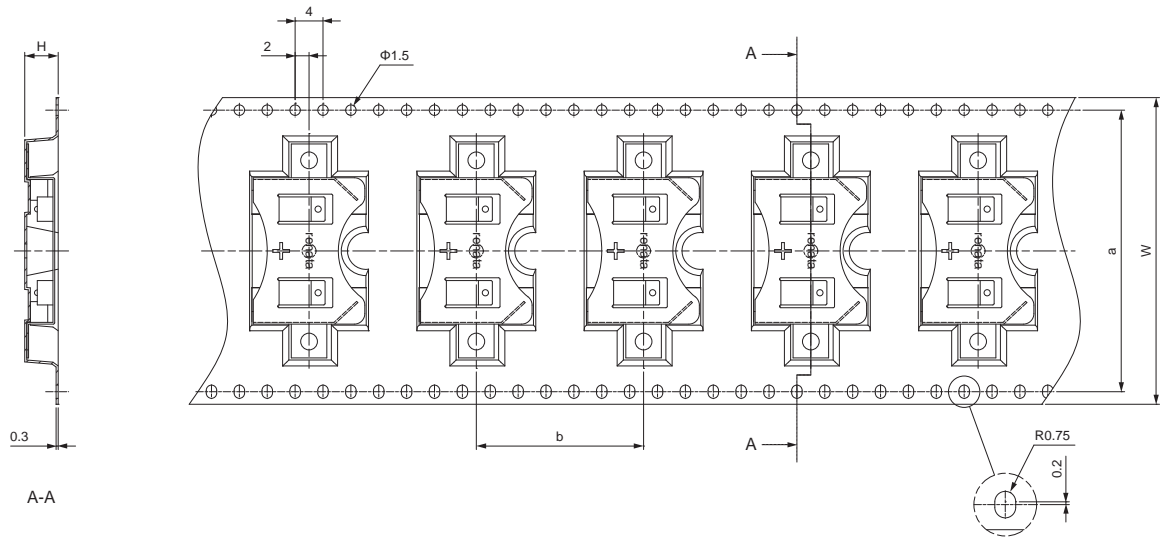
BK-888



PCB layout top view



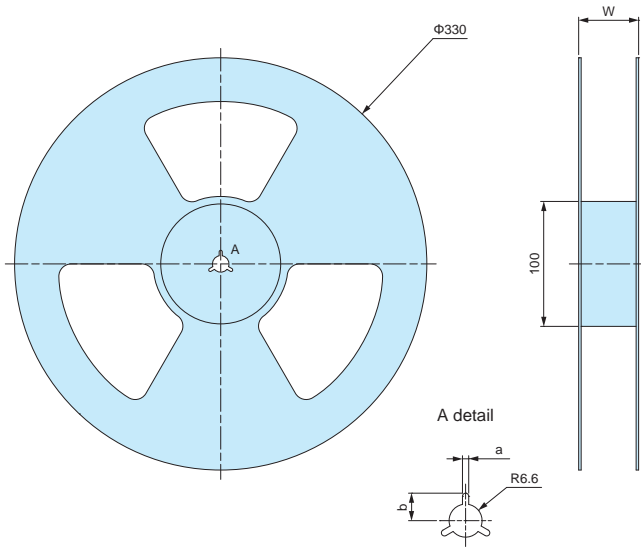
Tape dimensions



※Holder storage spacing will vary depending on model.

Product no.	W	H	a	b
SMTM1225-TR	32	3.8	28	16
SMTM1632-TR	44	4.5	40.4	20
SMTM2032-TR	44	4.8	40.4	24

Reel dimensions



Product no.	Pcs / Reel	w	a	b
SMTM1225-TR	1,000	38.5	2.1	10.4
SMTM1632-TR	700	50.5	2.1	10.4
SMTM2032-TR	600	48.5	2.4	11

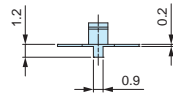
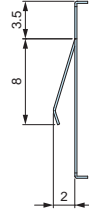
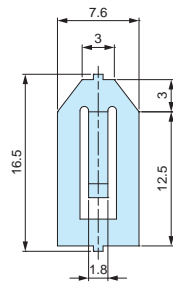
BK-2032M

NEGATIVE COIN CELL CONTACT for CR2032

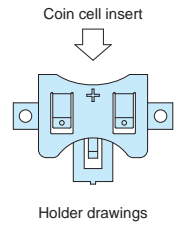
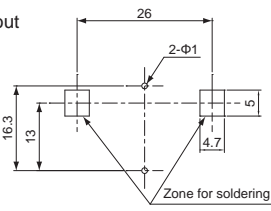
■ DXF/DWG/PDF drawings available on our website.



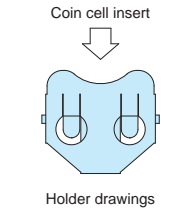
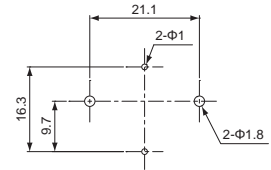
- Material / Finish : Phosphor bronze / Nickel plated
- Negative contact for CR2032 coin cell.
- Suitable to be used with SMTM2032 or BK-888 holders.
- Cut area will have base material exposed (unfinished).



Installation hole layout



BK-888 + BK-2032M PCB layout top view



■ Recommended PCB thickness for installation is 1.0mm or thinner.

Product no. / Feature

Product no.	Matching coin cell	Contact type	Weight (g)	Pack of
BK-2032M	CR2032	Through hole x 2	0.2	10