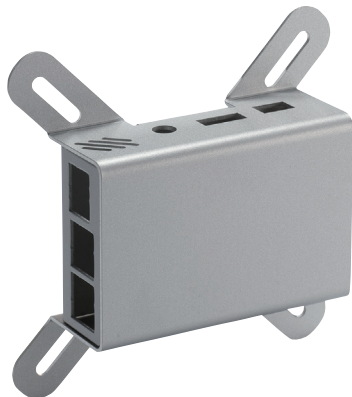
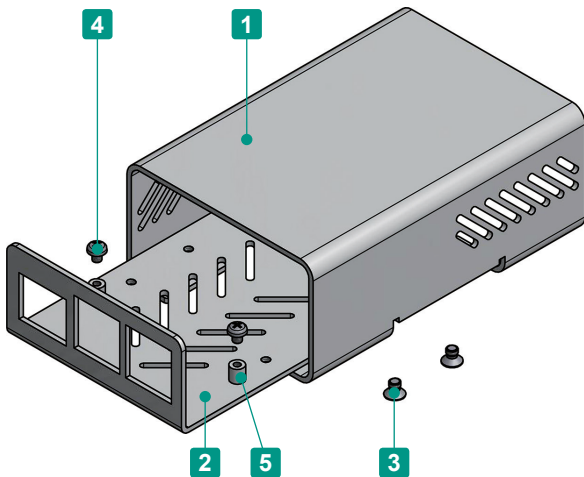


Two Raspberry Pi boards can be installed in RPI-2 model.



RPI-1F is compatible with VESA formula screw pitch (75 x 75mm / 100 x 100mm) and can be installed on the back side of PC displays, etc.



- Exclusively for use with Raspberry Pi.
Compatible with Raspberry Pi 2B, 3B and 3B+ boards.
- All aluminium, polished and elegant metallic silver finish.
- 3 types are available: normal, double-layered, and flanged.
- The internal part is made to be conductive.
- Raspberry Pi Board is not included.

Included screws
M3-4 Flat-head x 4 pcs (for case)
M2.5-3 Pan-head x 4 pcs (for board)

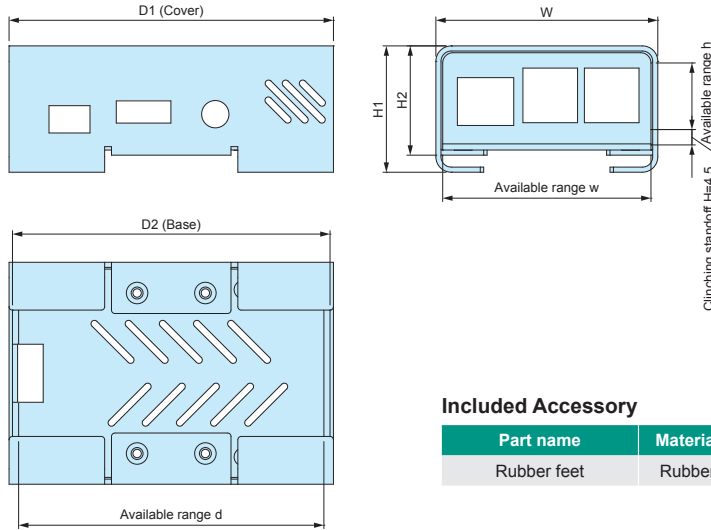
Components

No.	Part name	Pcs	Material	Color / Finish
1	Cover	1	Aluminium A1100P t=1.5	Metallic silver / Painted : Conductive inside
2	Base	1	Aluminium A1100P t=1.5	Metallic silver / Painted : Conductive inside
3	Screw (M3-4 Flat-head)	4	Steel	Trivalent chromate
4	Screw for Board (M2.5-3)	4	Brass	Nickel plated
5	Clinching standoff	4	Steel	Trivalent chromate

RPI dimensions

■ Drawings below are reference examples only.
DXF/DWG/PDF drawings available on our website.

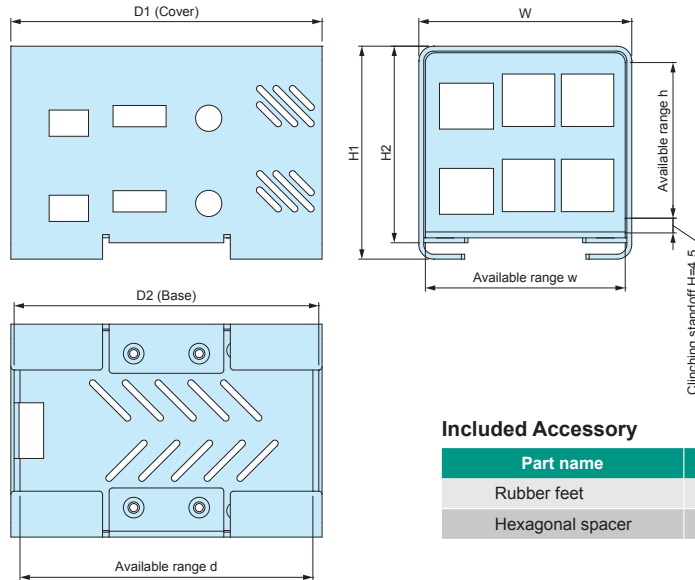
RPI-1



Included Accessory

Part name	Material	Color / Finish
Rubber feet	Rubber	Black

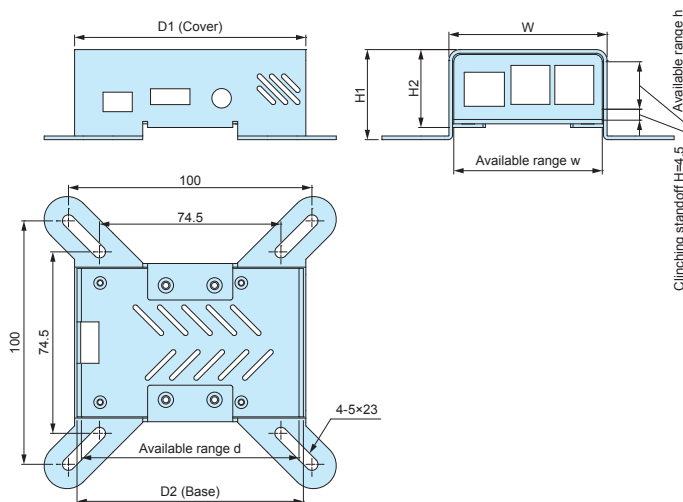
RPI-2



Included Accessory

Part name	Material	Color / Finish
Rubber feet	Rubber	Black
Hexagonal spacer	Brass	Nickel plated

RPI-1F



Components

Product no.	W	H1	H2	D1	D2	w	h	d	Weight (g)
NEW RPI-1	65	37	32	95	93	61	19.5	90	90.5
NEW RPI-2	65	65	60	95	93	61	47.5	90	136
NEW RPI-1F	65	37	32	95	93	61	19.5	90	91.5

Raspberry Pi Case customization

Create your very own unique Raspberry Pi Case!

Unique Logo (Inkjet print, Engraving)

Inkjet printing services are available from just 1 piece, with low initial cost. Engraving is also available.



Size adjustment

Size can be customized to fit your PCB.



Stainless Steel material

Stainless steel material can also be used for customization.



Color Anodizing · Painting

