

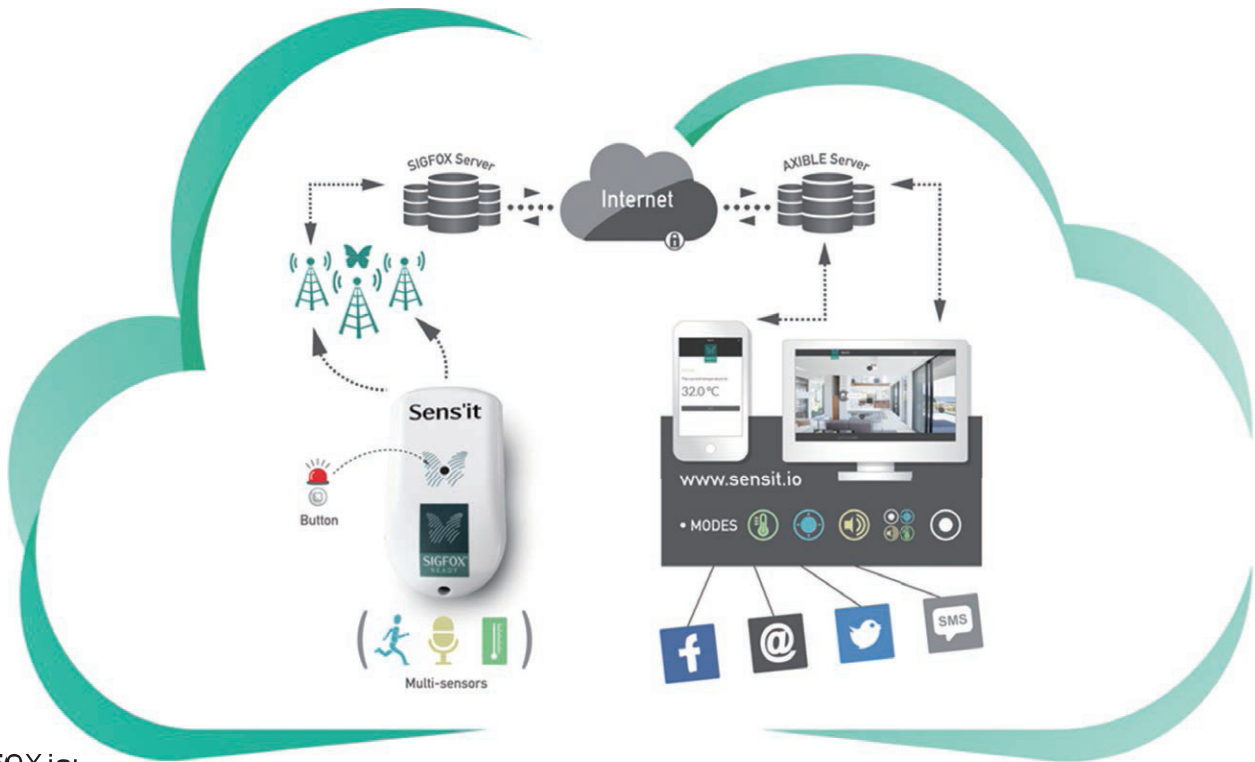
# PS SERIES PORTABLE PLASTIC CASE

Suitable for wireless device, remote controller, key fob, and so on.  
Available in 4 different sizes with 5 selectable colors.

## PORTABLE MULTI-SENSOR SYSTEM Product by Axible Technologies (France)



Multi-sensor system which detects motion, temperature, humidity and sound. Warnings are sent to the owner, or 3rd parties via SMS, Twitter or Facebook when events such as a home invasion, or when a fire occurs.



### SIGFOX is:

A French company that builds wireless ultra-narrow band (UNB) networks, for the connection of low-energy consumption devices such as electricity meters, smart-watches, and washing machines, which needs to be continuously on and emitting small amounts of data. This wireless network technology, which is aimed at the Internet of Things (IoT), is starting to gain popularity and rolling out in the fields such as housing, automobiles, transportation and logistics, smart city connectivity, healthcare, and so on.

## GPS TRACKER TAG (via SIGFOX NETWORK) Product by HidnSeek (France)



Example: Locating your car in a large parking area

# APPLICATION EXAMPLE

## REMOTE CONTROLLER for UNDERCOVER INVESTIGATION

Product by CopTech (Germany)



## RE-MOTE SUITE-IOT DEVELOPMENT PLATFORM

Product by Zolertia (Spain)



## BEACON RECEIVER

Product by GP Shopper (USA)



## GPS TRACKER with TEMPERATURE DATA LOGGER

Product by HidnSeek (France)



## PORTABLE RADIATION CHECKER AND MONITOR

Product by Yamagata Kyodo (Japan)



TAKACHI "BK-890" Coin battery holder.

## PORTABLE EMF PROTECTION DEVICE

Product by Blushield Inc. (New Zealand)



## LPWA RECEIVER

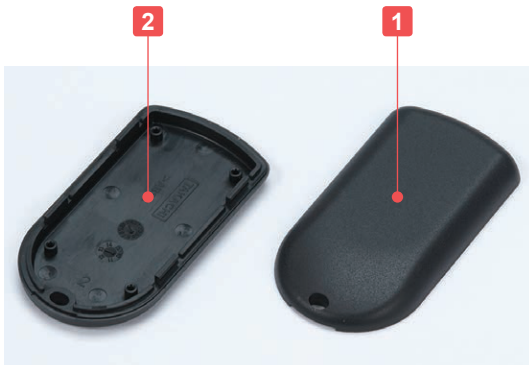


PS SERIES

PORTABLE PLASTIC CASE



| Technical Data                       |
|--------------------------------------|
| Protection class: IP40               |
| Operating temperature: -10°C ~ +60°C |



- Simple snap-in case without screws.
- Comfortable shape and hold.
- 5 different colors are available for selection.
- Suitable for use as a wireless device, remote control, key fob etc.
- Designed with an easily accessible hole for strap attachment.

Components

| No. | Part name    | Material   | Color / Finish                        |
|-----|--------------|------------|---------------------------------------|
| 1   | Top cover    | ABS UL94HB | White • Black • Cobalt • Green • Pink |
| 2   | Bottom cover | ABS UL94HB | White • Black • Cobalt • Green • Pink |

Product no. / Dimensions

| Product no. |         |          |         |         | Dimensions |    |     | Weight (g) |
|-------------|---------|----------|---------|---------|------------|----|-----|------------|
| ● White     | ● Black | ● Cobalt | ● Green | ● Pink  | W          | H  | D   |            |
| PS- 50W     | PS- 50B | PS- 50C  | PS- 50G | PS- 50P | 50         | 14 | 50  | 9          |
| PS- 65W     | PS- 65B | PS- 65C  | PS- 65G | PS- 65P | 35         | 11 | 65  | 9          |
| PS- 85W     | PS- 85B | PS- 85C  | PS- 85G | PS- 85P | 48         | 15 | 85  | 20         |
| PS-100W     | PS-100B | PS-100C  | PS-100G | PS-100P | 58         | 18 | 100 | 27         |

Accessories (Optional parts)



PCB mounting screw EM-1.6  
See page EM • MR-1



Strap STPS series  
See page STPS-1

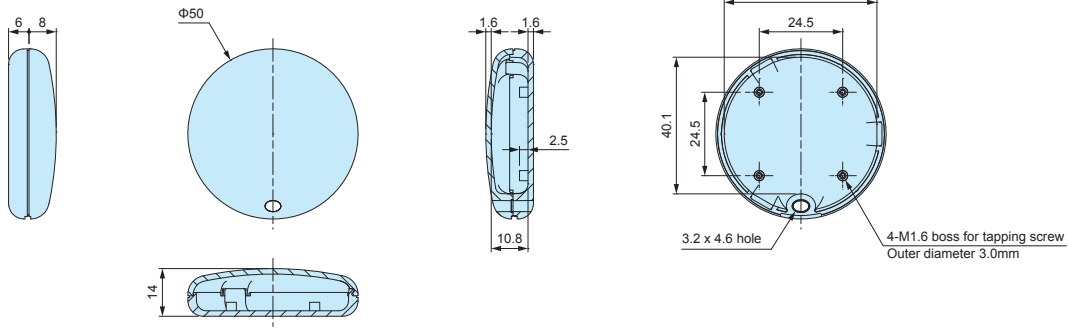


Neodymium magnet NMG series  
See page NMG-1

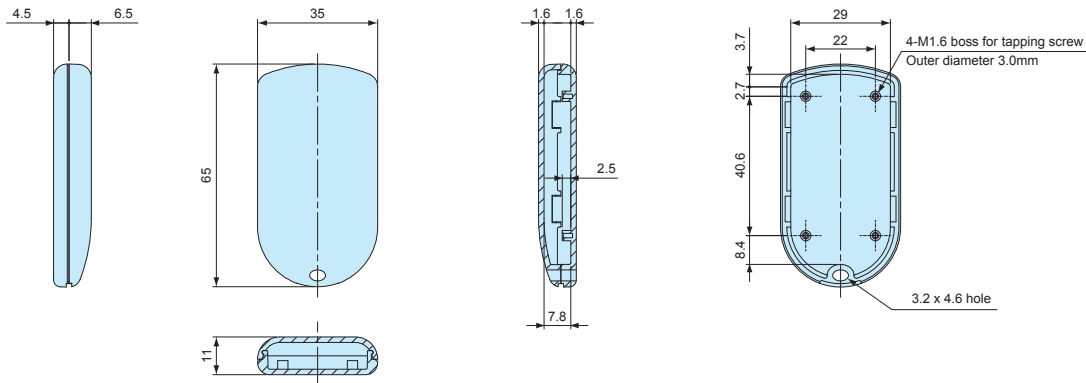
PS dimensions

■ Drawings below are reference examples only.  
DXF/DWG/PDF drawings available on our website.

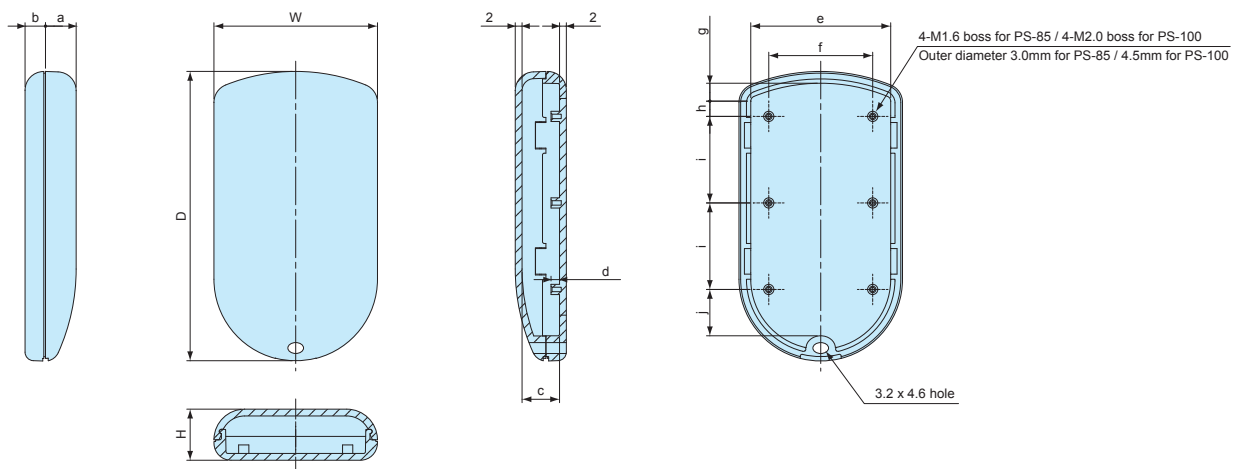
PS-50□



PS-65□

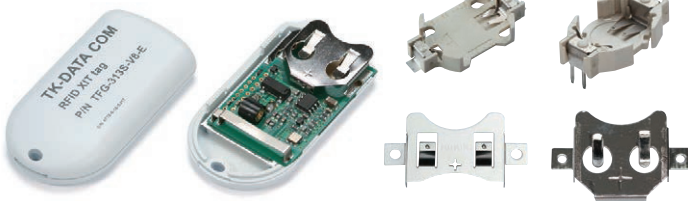


PS-85□ / PS-100□



| Product no. | W  | H  | D   | a    | b   | c  | d   | e    | f  | g   | h   | i    | j    |
|-------------|----|----|-----|------|-----|----|-----|------|----|-----|-----|------|------|
| PS- 85□     | 48 | 11 | 85  | 9    | 6   | 11 | 2.5 | 41.1 | 33 | 5.3 | 4.5 | 25.4 | 13.6 |
| PS-100□     | 58 | 18 | 100 | 11.5 | 6.5 | 14 | 4   | 51.2 | 40 | 6.4 | 4.2 | 29   | 20.4 |

Application example (RFID Tag)



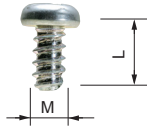
■ A variety of suitable coin battery holders are available.  
See battery holder pages for more details.

Suitable coin battery holder chart

| Suitable case | Coin battery holder product no.  |
|---------------|--|
| PS- 50□       | SMTU1220(G) / 1225 / 1632(G) / 2-2016 / 2032(G)<br>PB-621 • SMTM1632 / 2032<br>BK-879 / 5091 / 885 / 890 / 868 / 869 / 5067 / 888              |
| PS- 65□       | BK-879 / 5091 / 885 / 890 / 868 / 869 / 5067 / 888<br>PB621 • SMTM1632 / 2032  |
| PS- 85□       | PB621 • SMTM1632 / 2032<br>BK-879 / 5091 / 885 / 890 / 868 / 869 / 5067 / 888<br>SMTU1220(G) / 1225 / 1632(G) / 2-2016 / 2032(G) / 2430        |
| PS-100□       | PB621 • SMTM1632 / 2032<br>BK-879 / 5091 / 885 / 890 / 868 / 869 / 5067 / 888<br>SMTU1220(G) / 1225 / 1632(G) / 2-2016 / 2032(G) / 2430 / 2450 |

EM SERIES

PCB MOUNTING SCREW



- Self-tapping screws for mounting PCB on bosses or standoffs.
- EM-3-6 self-tapping screws are suitable for mounting 1.6mm or thicker PCB.

Product no. / Dimensions

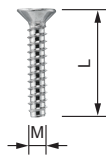
| Product no.         | M   | L | Material | Finish             | Suitable enclosures   | Pack of |
|---------------------|-----|---|----------|--------------------|---|---------|
| EM-1.6              | 1.6 | 4 | Steel    | Trivalent chromate | WC • CSS • CS • PS (M1.6 size)  | 50      |
| EM-2                | 2   | 5 | Steel    | Trivalent chromate | PS • TW • TWN • TWF • WP (M2 size)  | 50      |
| EM-2.3              | 2.3 | 6 | Steel    | Trivalent chromate | WH • LC • LCT • LCS • LCE • PFE<br>WSC (Top cover bosses)<br>PF • PFF (M2.3 size)<br>TW • TWN • TWF (M2.3 size)<br>WP (M2.3 size) | 50      |
| <b>NEW</b> EM-2.3-8 | 2.3 | 8 | Steel    | Trivalent chromate | WSC (Bottom base bosses)  | 50      |
| EM-2.6              | 2.6 | 6 | Steel    | Trivalent chromate | PF • PFF • WP (M2.6 size)   | 50      |
| EM-3                | 3   | 5 | Steel    | Trivalent chromate | SU<br>TWS • TW • TWN • TWF (M3 sizes)   | 50      |
| EM-3-6              | 3   | 6 | Steel    | Trivalent chromate |   | 50      |

MR SERIES

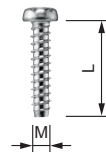
TORX SCREW



Countersunk head



Pan head



With pin



★ Without pin



★ : MR1.6-6S, MR-2S, MR2.6-10□, and MR3-14□ are without pin.

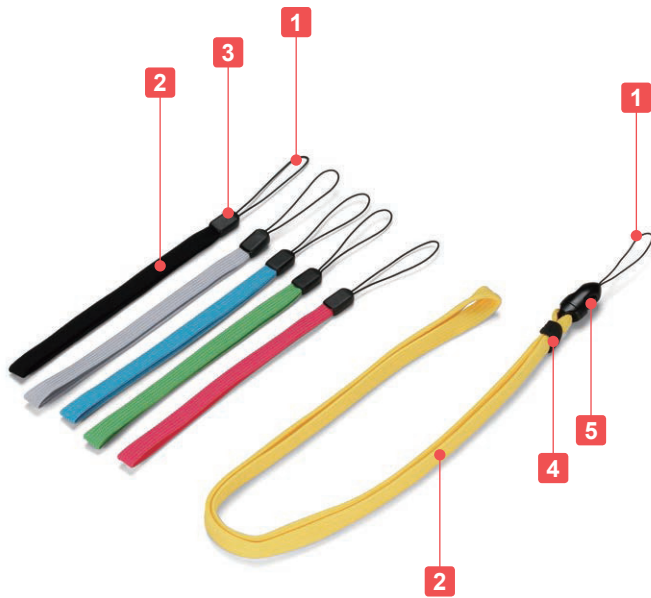
Product no. / Dimensions

★Mark = Without pin

| Product no. | M   | L  | head no. | Head style  | Material | Finish                   | Suitable enclosures   | Pack of |
|-------------|-----|----|----------|-------------|----------|--------------------------|---|---------|
| MR1.6-6S★   | 1.6 | 6  | T3       | Pan         | Steel    | Nickel plated            | CS • CSS  | 20      |
| MR2.5-8PS   | 2.5 | 8  | T8       | Pan         | Steel    | Nickel plated            | PF • PFE • PFF (M2.5 size)  | 20      |
| MR2.6-10S★  | 2.6 | 10 | T8       | Countersunk | Steel    | Nickel plated            | TW • TWN (M2.6 models)<br>TWF (M2.6 models)   | 20      |
| MR2.6-10B★  | 2.6 | 10 | T8       | Countersunk | Steel    | Black trivalent chromate | MX • MXA • MXB • MXF (M2.6 models)  | 20      |
| MR2.6-12PS  | 2.6 | 12 | T8       | Pan         | Steel    | Nickel plated            | LCT • LCS • LC115-F2 / F3<br>LCT • LCS • LC145S-F6  | 20      |
| MR2.6-14PS  | 2.6 | 14 | T8       | Pan         | Steel    | Nickel plated            | LCT • LCS • LC115H-F2 / F3 / M2 / 9V<br>LCT • LCS • LC135-F4 / M2 / M3 / 9V<br>LCT • LCS • LC135H-F4 / M2 / M3 / 9V<br>LCT • LCS • LC145-F6 / M2 / M4<br>LCT • LCS • LC145H-F6 / M2 / M4<br>LCT • LCS • LC165-M4<br>LCT • LCS • LC165H-M4   | 20      |
| MR2.6-14S   | 2.6 | 14 | T8       | Countersunk | Steel    | Nickel plated            | LCT • LCS • LC115-N / F2 / F3<br>LCT • LCS • LC145S-F6 / 145S-N<br>LCE115-N<br>TW • TWN7-2-11 / 7-4-11 / 7-5-11<br>TWF7-2-11 / 7-4-11 / 7-5-11 / 8-2-8 / 8-4-8  | 20      |
| MR2.6-18S   | 2.6 | 18 | T8       | Countersunk | Steel    | Nickel plated            | LCT • LCS • LC115H-N / F2 / F3 / M2 / 9V<br>LCT • LCS • LC135-N / F4 / M2 / M3 / 9V<br>LCT • LCS • LC135H-N / F4 / M2 / M3 / 9V<br>LCT • LCS • LC145-N / F6 / M2 / M4<br>LCT • LCS • LC145H-N / F6 / M2 / M4<br>LCT • LCS • LC165-N / M4<br>LCT • LCS • LC165H-N / M4<br>LCE115H-N • LCE135-N • LCE145H-N • LCE165H-N | 20      |
| MR3-8PS     | 3   | 8  | T10      | Pan         | Steel    | Nickel plated            | PF • PFE • PFF (M3 size)  | 20      |
| MR3-14S★    | 3   | 14 | T10      | Countersunk | Steel    | Nickel plated            | TW • TWN (M3 models)<br>TWF (M3 models)   | 20      |
| MR3-14B★    | 3   | 14 | T10      | Countersunk | Steel    | Black trivalent chromate | MX • MXA • MXB • MXF (M3 models)  | 20      |
| MR-1S       | 3   | 5  | T10      | Countersunk | Steel    | Nickel plated            | UC  | 20      |
| MR-1B       | 3   | 5  | T10      | Countersunk | Steel    | Black trivalent chromate | UC • UCY • US   | 20      |
| MR-2S       | 3   | 10 | T10      | Countersunk | Steel    | Nickel plated            | HEN   | 20      |

STPS SERIES

STRAP



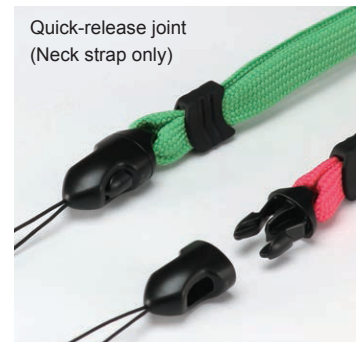
Wrist strap (STPS-140P)



Neck strap (STPS-450Y)



- Colorful and sturdy straps best used with CSS, CS and PS series.
- Wrist and Neck straps are available in 6 unique colors.
- Neck strap comes with a quick-release joint, making removal or attachment quick and easy.



Color Type

| Code  | P Pink | Y Yellow | G Green | C Cyan | L Light gray | B Black |
|-------|--------|----------|---------|--------|--------------|---------|
| Color |        |          |         |        |              |         |

Components

| No. | Part name               | Material   | Color   |
|-----|-------------------------|------------|---|
| 1   | String                  | Polyester  | Black   |
| 2   | Strap                   | Polyester  | Pink • Yellow • Green • Cyan • Light gray • Black |
| 3   | Cap (wrist strap only)  | Nylon      | Black   |
| 4   | Clamp (neck strap only) | Elastomer  | Black   |
| 5   | Joint (neck strap only) | Polyacetal | Black   |

Product no. / Dimensions

| Product no. |           |           |           |              |           | Strap width | Strap length |
|-------------|-----------|-----------|-----------|--------------|-----------|-------------|--------------|
| ○ Pink      | ● Yellow  | ● Green   | ● Cyan    | ● Light gray | ● Black   |             |              |
| STPS-140P   | STPS-140Y | STPS-140G | STPS-140C | STPS-140L    | STPS-140B | 8           | 140          |
| STPS-450P   | STPS-450Y | STPS-450G | STPS-450C | STPS-450L    | STPS-450B | 10          | 450          |

NMG SERIES

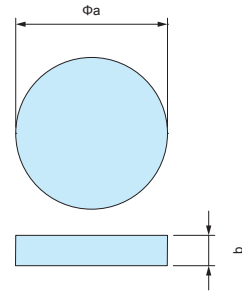
NEODYMIUM MAGNET



Round magnet



- Material / Finish: Neodymium / Nickel plated
- Please attach using a strong adhesive.



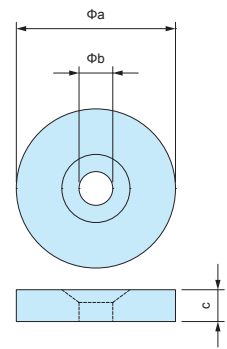
Components

| Product no. | a  | b | Weight (g) | Flus Density | Adsorption |
|-------------|----|---|------------|--------------|------------|
| NMG3-15N    | 15 | 3 | 4          | 214.4 mT     | 2.44 kgf   |
| NMG3-20N    | 20 | 3 | 7.1        | 170.7 mT     | 3.26 kgf   |
| NMG5-22N    | 22 | 5 | 11.4       | 247.2 mT     | 5.91 kgf   |
| NMG5-25N    | 25 | 5 | 18.4       | 221.9 mT     | 6.89 kgf   |

Round magnet with countersunk hole



- Please fasten with a screw.



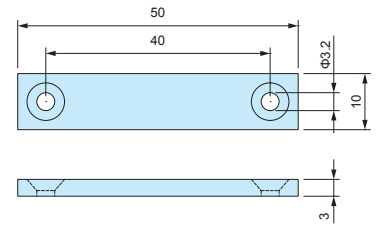
Components

| Product no. | a  | b   | c | Countersunk size | Weight (g) | Flus Density | Adsorption |
|-------------|----|-----|---|------------------|------------|--------------|------------|
| NMG3-15M3   | 15 | 3.2 | 3 | M3               | 3.8        | 214.3 mT     | 2.33 kgf   |
| NMG3-20M3   | 20 | 3.2 | 3 | M3               | 6.9        | 170.6 mT     | 3.17 kgf   |
| NMG5-22M4   | 22 | 4.3 | 5 | M4               | 13.7       | 247.2 mT     | 5.68 kgf   |
| NMG5-25M5   | 25 | 5.3 | 5 | M5               | 17.6       | 221.9 mT     | 6.58 kgf   |

Rectangular magnet with countersunk holes



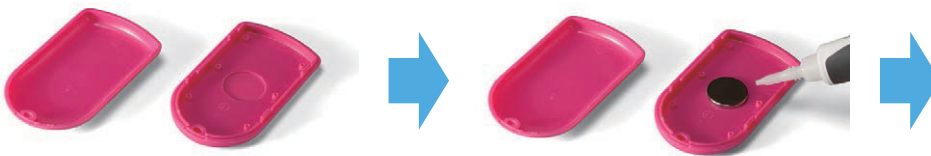
- Please fasten with a screw.



Components

| Product no. | a  | b  | c | Countersunk size | Weight (g) | Flus Density | Adsorption |
|-------------|----|----|---|------------------|------------|--------------|------------|
| NMG3-50M3   | 50 | 10 | 3 | M3               | 11.3       | 210.0 mT     | 9.1 kgf    |

Example 1 The magnetic force remains strong even through plastic.



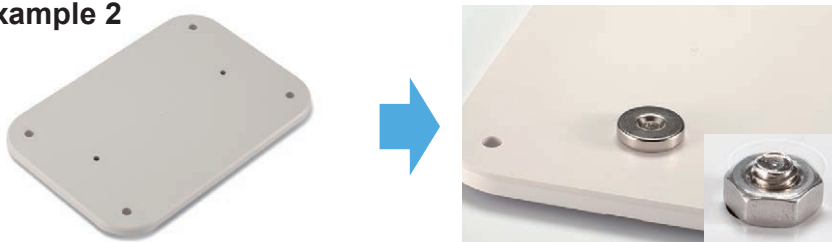
Make recessed pocket on the inside wall.

Glue on.



Attach onto a metallic surface.

Example 2



Make holes

Fasten with a screw and nut.



Attach onto a metallic surface.

**CAUTION: Handle with care to avoid personal injury or damage to the magnet.**