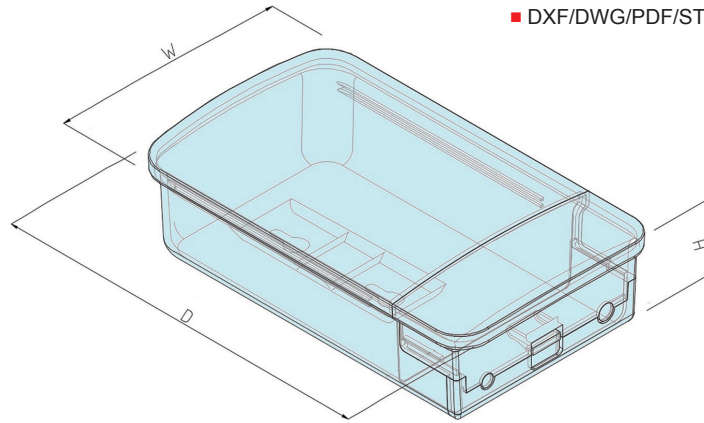


OB dimensions

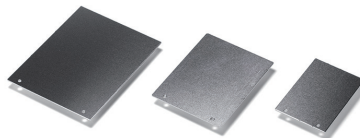
■ DXF/DWG/PDF/STP drawings available on our website.



Product no. / Dimensions

Product no.	External dimensions			Knock-out holes
	W	D	H	
OB 8-14-4W	75	140	35	5.6Φ x1 • 7.2Φ x1
OB10-17-5W	100	170	45	5.6Φ x1 • 7.2Φ x1
OB13-21-6W	125	210	55	7Φ x1 • 10Φ x1

Accessories (Optional parts)

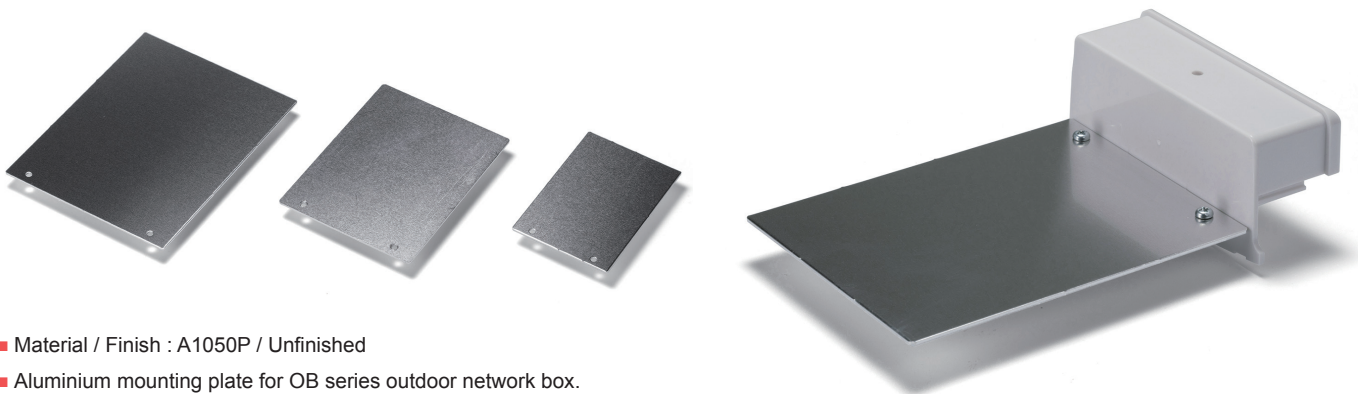


Pole mounting belt SNB • PKB series
See page 323 ~ 324

Mounting plate OBP series
See page 14

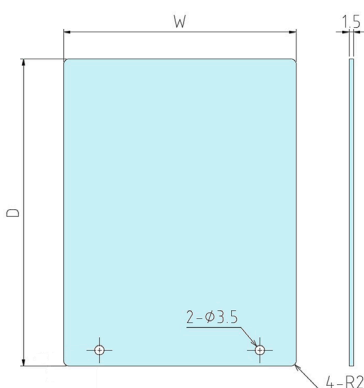
Accessories (Optional parts)

OBP series MOUNTING PLATE for OB 



- Material / Finish : A1050P / Unfinished
- Aluminium mounting plate for OB series outdoor network box.
- Recommended to be used for installing network module, sensor, terminal block, etc.

OBP dimensions



Product no. / Dimensions

Product no.	W	D	Suitable models	Weight (g)
OBP8-14	61.2	92	OB 8-14-4W	22.5
OBP10-17	87.1	115	OB10-17-5W	40
OBP13-21	110	137	OB13-21-6W	61

■ DXF/DWG/PDF drawings available on our website.