

ECONOMICAL OUTDOOR NETWORK BOX

Unique construction rainproof box

OB series

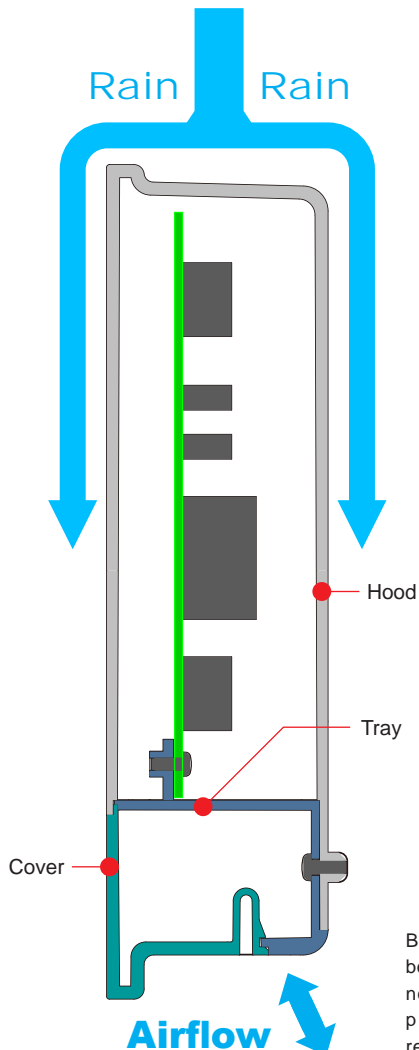
REASONS for ECONOMICAL

1. No Gasket required by the unique construction
2. Wall/Pole bracket integrated



Unique seamless construction

No rain entry by the seamless construction without gasket nor joint.



By having a slight gap between the cover and tray, no ventilation plug for the pressure equalization is required.

Wall • Pole mounting bracket integrated

The slit of the integrated bracket in the backside can hold the pole mounting belts. And the hanging holes can be utilize for wall mounting.



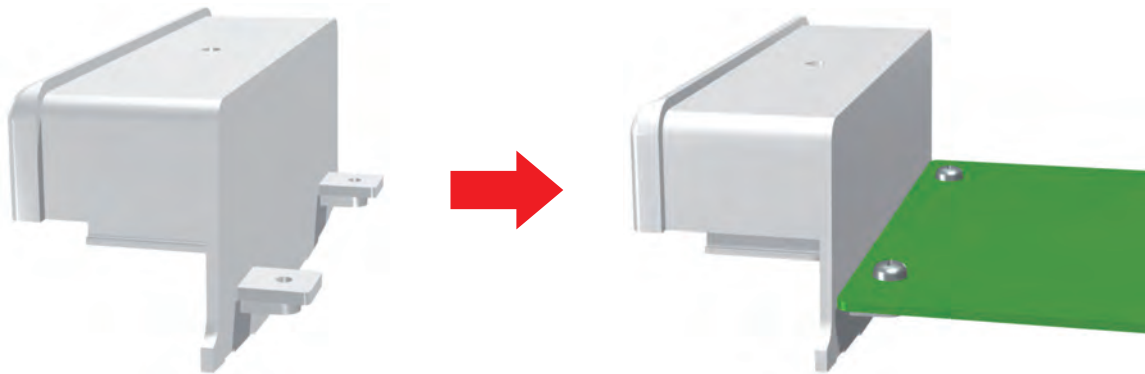
Weather-resistant ASA material

ASA material is resistant to deterioration and discoloration from ultraviolet rays. Perfect for use as outdoor communication or network devices.

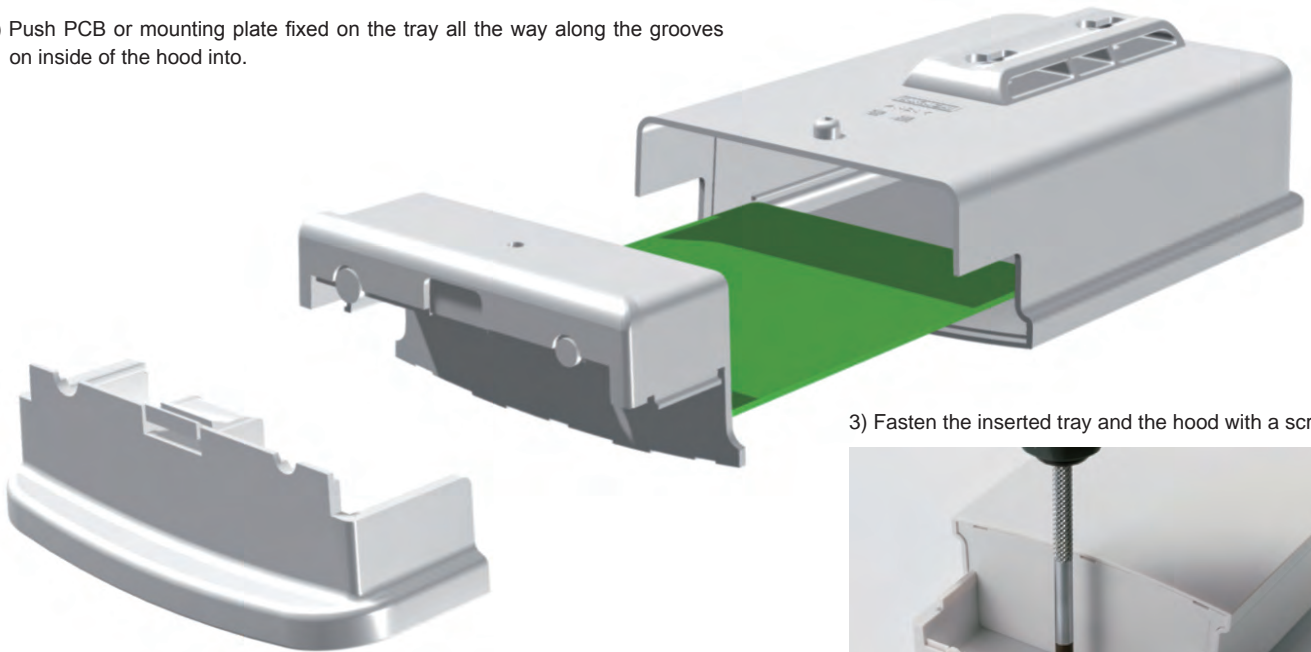


How to install PCB • Mounting plate

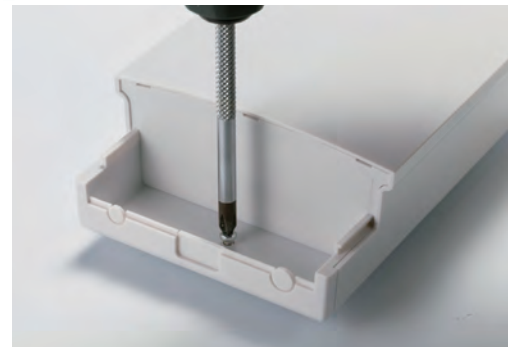
1) Fix PCB or mounting plate on the tray with screws.



2) Push PCB or mounting plate fixed on the tray all the way along the grooves on inside of the hood into.



3) Fasten the inserted tray and the hood with a screw.



Easy knock-out hole punching & cover replacement

Tray comes with knock-out holes for wiring. Knock-out holes can easily be punched out through with a plier or a nipper. The cover can be easily removed with one touch, hence it is an excellent structure for performing maintenance. For wiring, please machine cutout/hole on the side-wall of the tray as shown in the installation example below.



Connector installation example

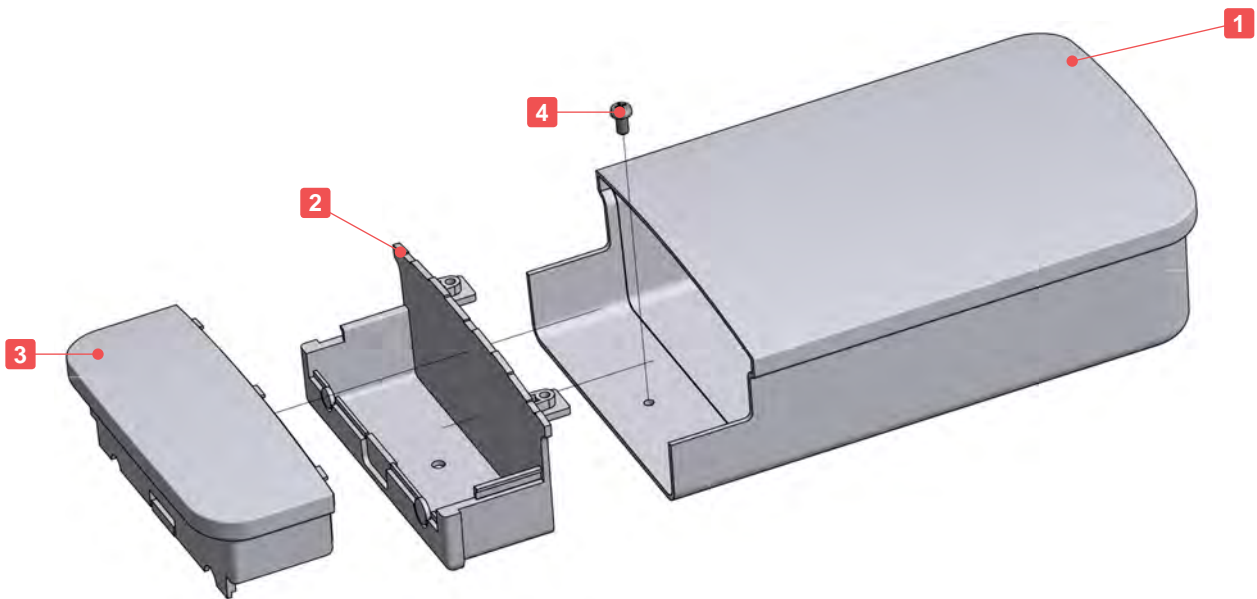




- Unique seamless construction and rainproof outdoor network box. Although it is IP44, it can completely protect the internal components against rain when installed vertically.
- ASA material is resistant to deterioration and discoloration from ultraviolet rays. Perfect for use as outdoor communication devices.
- Bracket integrated in the backside equipped with the slits allows for pole mounting belt to be passed through the slit for pole mounting, while the hanging holes enable it to be secured onto wall hooks or brackets.
- Tray comes with knock-out holes for wiring. Knock-out holes can easily be punched out through with a plier or a nipper.



Technical Data	
Protection class :	IP44
Operating temperature :	-30°C ~ +60°C
<small>*May become brittle and break under impact when temperature is lowered close to -30°C.</small>	

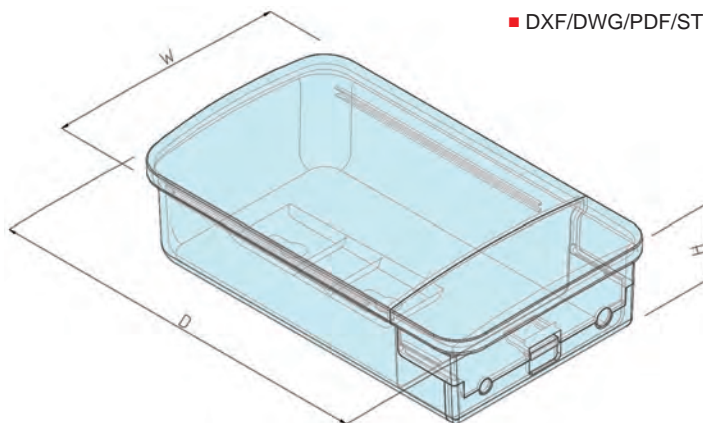


Components

No.	Part name	Pcs	Material / Color
1	Hood	1	ASA UL94HB / Off-white
2	Tray	1	ASA UL94HB / Off-white
3	Cover	1	ASA UL94HB / Off-white
4	Screw (Tray/PCB installation)	3	Stainless steel / Unfinished

OB dimensions

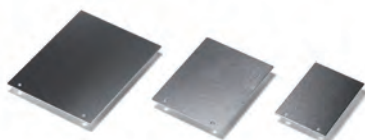
■ DXF/DWG/PDF/STP drawings available on our website.



Product no. / Dimensions

Product no.	External dimensions			Knock-out holes
	W	D	H	
OB 8-14-4W	75	140	35	5.6Φ x1 • 7.2Φ x1
OB10-17-5W	100	170	45	5.6Φ x1 • 7.2Φ x1
OB13-21-6W	125	210	55	7Φ x1 • 10Φ x1

Accessories (Optional parts)

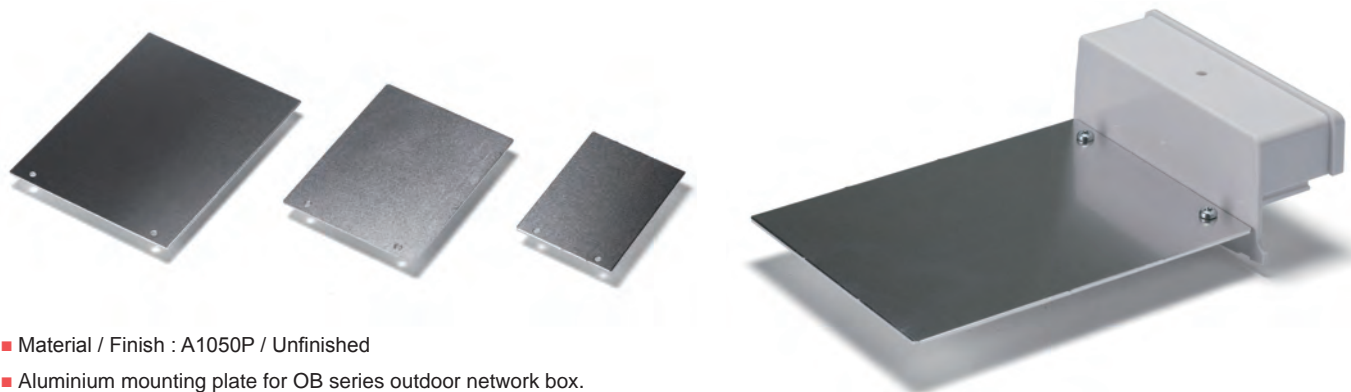


Pole mounting belt SNB • PKB series
See page 323 ~ 324

Mounting plate OBP series
See page 14

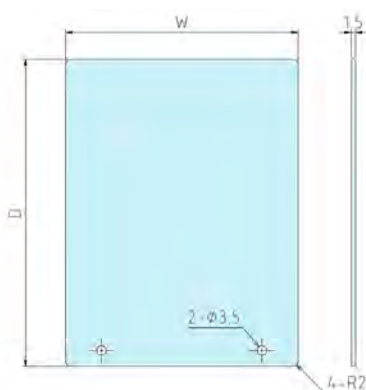
Accessories (Optional parts)

OBP series MOUNTING PLATE for OB 



- Material / Finish : A1050P / Unfinished
- Aluminium mounting plate for OB series outdoor network box.
- Recommended to be used for installing network module, sensor, terminal block, etc.

OBP dimensions



Product no. / Dimensions

Product no.	W	D	Suitable models	Weight (g)
OBP8-14	61.2	92	OB 8-14-4W	22.5
OBP10-17	87.1	115	OB10-17-5W	40
OBP13-21	110	137	OB13-21-6W	61

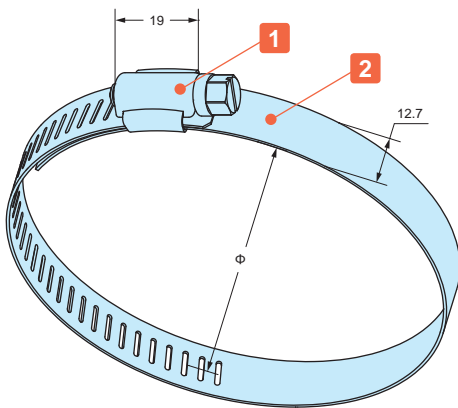
■ DXF/DWG/PDF drawings available on our website.

SNB series

STAINLESS STEEL POLE MOUNTING STRAP



SNB dimensions



- Corrosion resistant stainless steel (SUS304) belt clamp.
- It can be installed securely by tightening the screw.
- 8 mm nut driver (box driver) is recommended for tightening. Minus screw driver can also be used.

Components

No.	Part name	Pcs	Material	Finish
1	Bracket	1	Stainless steel SUS304	Polished
2	Strap	1	Stainless steel SUS304	Polished

Product no. / Dimensions

Product no.	Applicable diameter (Φ)	Strap width	Strap thickness	Recommended torque N · m	Weight (g)	Pack of
SNB 52- 76	52 ~ 76	12.7	0.6	0.7 ~ 1.0	27.5	1
SNB 72- 95	72 ~ 95	12.7	0.6	0.7 ~ 1.0	30	1
SNB 91-114	91 ~ 114	12.7	0.6	0.7 ~ 1.0	34.5	1
SNB105-127	105 ~ 127	12.7	0.6	0.7 ~ 1.0	37.5	1
SNB117-140	117 ~ 140	12.7	0.6	0.7 ~ 1.0	39.5	1
SNB130-153	130 ~ 153	12.7	0.6	0.7 ~ 1.0	41.5	1
SNB142-165	142 ~ 165	12.7	0.6	0.7 ~ 1.0	43.5	1
SNB155-178	155 ~ 178	12.7	0.6	0.7 ~ 1.0	46.5	1
SNB168-191	168 ~ 191	12.7	0.6	0.7 ~ 1.0	49	1
SNB181-204	181 ~ 204	12.7	0.6	0.7 ~ 1.0	51	1
SNB194-217	194 ~ 217	12.7	0.6	0.7 ~ 1.0	52.5	1
SNB207-230	207 ~ 230	12.7	0.6	0.7 ~ 1.0	57	1
SNB220-243	220 ~ 243	12.7	0.6	0.7 ~ 1.0	59.5	1
SNB233-256	233 ~ 256	12.7	0.6	0.7 ~ 1.0	62.5	1
SNB246-269	246 ~ 269	12.7	0.6	0.7 ~ 1.0	64	1
SNB259-282	259 ~ 282	12.7	0.6	0.7 ~ 1.0	67.5	1
SNB272-295	272 ~ 295	12.7	0.6	0.7 ~ 1.0	70	1
SNB285-308	285 ~ 308	12.7	0.6	0.7 ~ 1.0	71	1

■ Recommended torque listed is for reference only; actual may differ. Assemble after testing torque.

SNB Strap required

Suitable series	Suitable models						Required
SSK series	SSK-S1	SSK-160	SSK-170	SSK-200	SSK-210	SSK-250	2
	SSK-280	SSK-300	SSK-350	SSK-400	SSK-530		
WGMB series	WGMB-1W						1

PKB series

POLE MOUNTING BELT



PKB-10PM, 10P



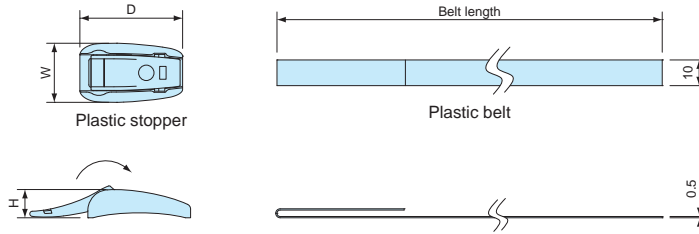
PKB-10S, 20S

- Pole mounting belt for attachment of enclosures with suitable pole mount brackets or construction onto poles.
- Designed for one time use only (not reusable).
- Strong stainless steel clamping type and easy installation plastic type are available.

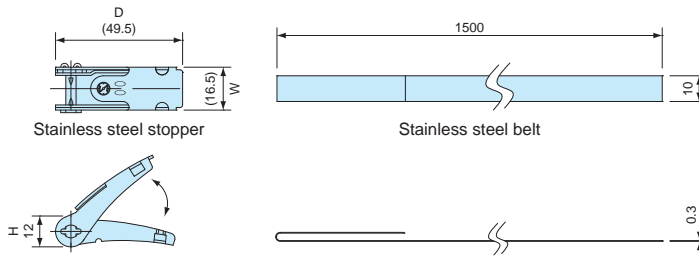
PKB dimensions

■ DXF/DWG/PDF drawings available on our website.

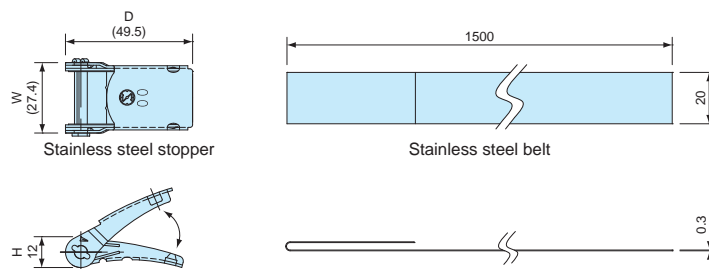
PKB-10PM, 10P



PKB-10S



PKB-20S



Components

No.	Part name	Material	Color / Finish
1	Stopper	Stainless steel SUS304 • POM	Barrel finish • Black
2	Belt	Stainless steel SUS430 • PET	Bright annealed finish • Gray

Product no. / Dimensions

Product no.	W	D	H	Belt length	Belt material	Tensile strength (horizontal)	Weight (g)	Pack of
PKB-10PM	24	23	11	500 mm	PET	0.8kN	14	2
PKB-10PM	23	40	11	1,500 mm	PET	1.3kN	31.8	2
PKB-10S	16.5	49.5	12	1,500 mm	Stainless steel SUS304	1.4kN	101.6	2
PKB-20S	27.4	49.5	12	1,500 mm	Stainless steel SUS430	2.9kN	182.2	2