

MX • MXA • MXF • MXB SERIES

ALUMINIUM MOBILE ENCLOSURE

MXF • MXB • MXA • MX mobile enclosures are designed with a beautiful and elegant finish in mind. Having a rounded design, it fits comfortably in your hand, while giving off a simple yet sharp look. Suitable for use as small audio devices and as an amplifier unit, among others in a wide variety of industries. Selectable from 4 different types: an affordable plastic end panel type MX series, a luxurious aluminium end panel type MXA series, a flanged end panel MXF series, and the MXB series, which is the MXA series with a protective silicone band.

APPLICATION EXAMPLE

DESKTOP AUDIO PREAMPLIFIER with USB Product by Conisis lab.inc. (Japan)



DIGITAL HEADPHONE AMPLIFIER

Product by UpTone Audio (USA)



WIRELESS MICROPHONE SYSTEM

Product by Catchbox (Finland)



reddot award
product design



ETHERNET CELLULAR ROUTER

Product by NimbeLink (USA)



WiFi ACCESS POINT



AIS (AUTOMATIC IDENTIFICATION SYSTEM) SIGNAL RECEIVER

Product by SRT Marine System Solutions (UK)



DATA TRANSMITTER for AUTOMATIC NUMBER PLATE RECOGNITION (ANPR) SYSTEM

Product by Sensor Dynamics (Australia)



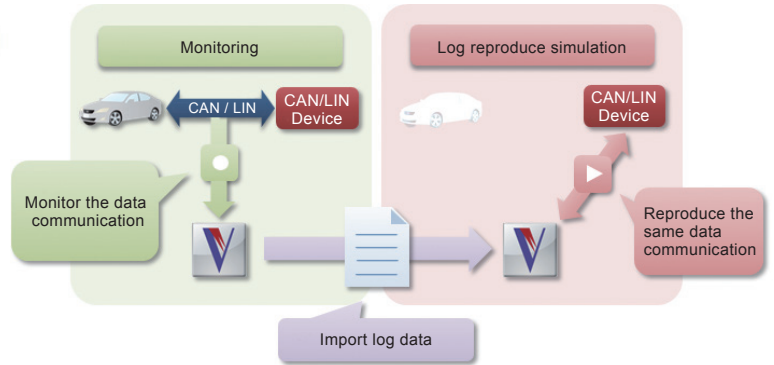
IO-Link DEVICE

Product by Lemonage Software (Germany)



CAN & LIN VEHICLE COMMUNICATION SIMULATOR / MONITOR

Product by P&A Technologies (Japan)



SIGNAL CHECKER / TESTER

Product by KUWATEC (Japan)



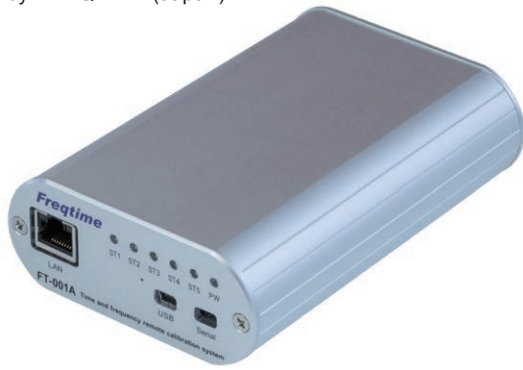
MODEL RAILROAD CONTROLLER

Product by Calura Ltd (Japan)



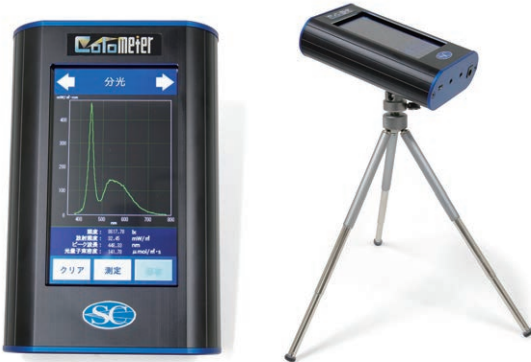
PORTABLE FREQUENCY STANDARD DEVICE

Product by FREQTIME (Japan)



SPECTRAL LUMINOMETER

Product by Spectra Co-op (Japan)



RTD SENSOR TESTER

Product by Turbomation (USA)



MOBILE MOISTURE METER

Product by ARP (Japan)



FULL COLOR LED TABLETOP LIGHTING DIVICE

Product by DAISHO DENKI INC. (Japan)



ACTIVE EMF PROTECTION DEVICE

Product by Blueshield Inc (New Zealand)



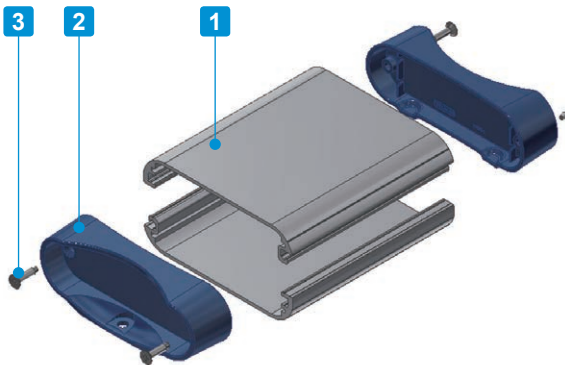
ILLUMINATION INVERTER

Product by Future Illuminations (USA)



MXF SERIES

FLANGED NETWORK ALUMINIUM ENCLOSURE

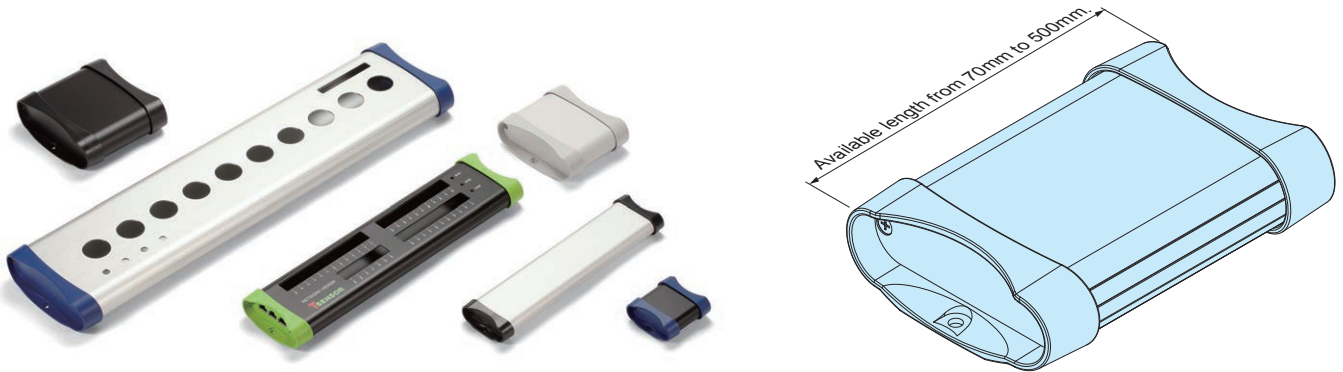


- Flanged network enclosure with easy to hold rounded design.
- 8 different color combinations and 12 different sizes available to choose from.
- Suitable to be used as transmitters, measurement tools, controllers, etc.
- Grooves are built into the internal enclosure, allowing for easy sliding/insertion of pcb boards.

Components

No.	Part name	Pcs	Material	Color / Finish
1	Frame	2	Extruded aluminium A6063S-T5	Silver • Black / Anodized
2	Flanged panel	2	ABS UL94HB	Black • Gray / Unpainted Navy • Lime / Painted
3	Self tapping screw	4	Steel	Nickel plated • Black trivalent chromate

Custom length available in 1mm intervals.



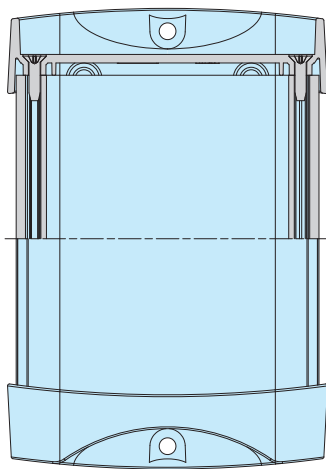
Color Type Please choose from the color combinations listed below

※Black and Gray panels are ABS color. Navy and Lime panels are Painted.



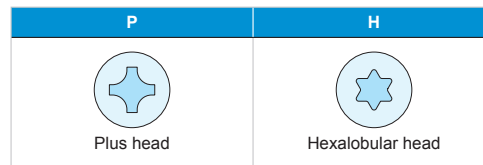
MXF dimensions

■ Drawings below are reference examples only.
DXF/DWG/PDF drawings available on our website.



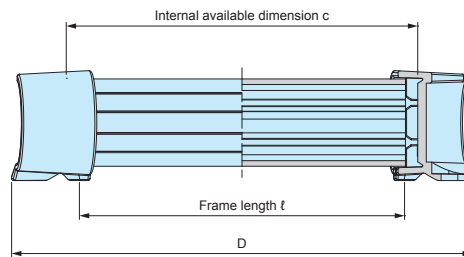
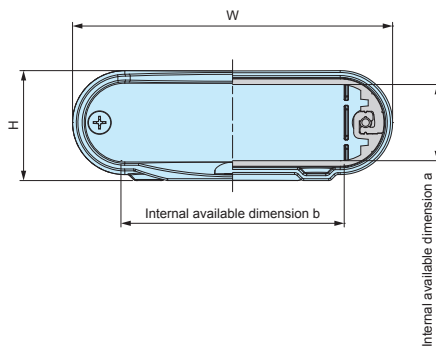
Included screws
MXF2-6 models : M2.6-14 x 4 pcs
MXF2-8, 3-11 models : M3-12 x 4 pcs
MXF4-13 models : M3-14 x 4 pcs

Screw Type



Please request / order by indicating the combination part number as below.

MXF 2 - 6 - 7
Color code Screw P or H

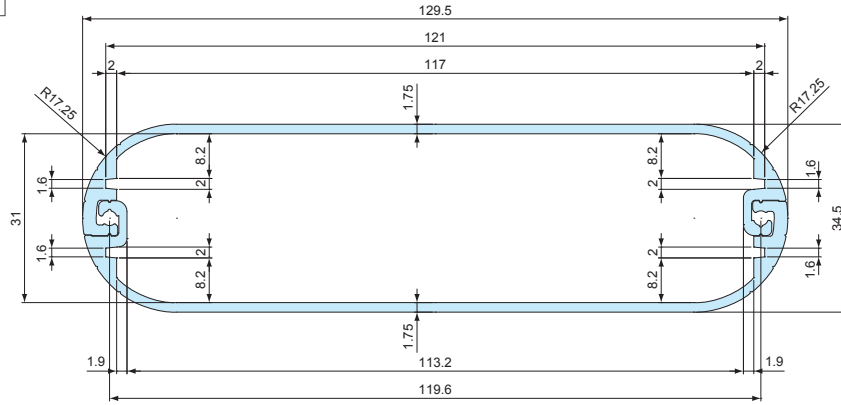


Product no. / Dimensions

■ Please suffix color and screw code at the end of the product number.

Product no.	H	W	D	a	b	c	ℓ	Weight (g)
NEW MXF2- 6- 7 	23.4	60.9	65	15.1	41.1	45	40	44
NEW MXF2- 6- 9 	23.4	60.9	90	15.1	41.1	70	65	59
NEW MXF2- 6-12 	23.4	60.9	115	15.1	41.1	95	90	75
NEW MXF2- 8- 9 	29.6	86.1	94	20.5	60.1	64.6	58	90
NEW MXF2- 8-12 	29.6	86.1	124	20.5	60.1	94.6	88	121
NEW MXF2- 8-15 	29.6	86.1	154	20.5	60.1	124.6	118	153
NEW MXF3-11-10 	35.6	114.2	104	26.5	87.3	74.6	66	130
NEW MXF3-11-14 	35.6	114.2	144	26.5	87.3	114.6	106	184
NEW MXF3-11-19 	35.6	114.2	194	26.5	87.3	164.6	156	251
NEW MXF4-13-12 	40.6	134.2	124	31	104.1	94.4	84	197
NEW MXF4-13-17 	40.6	134.2	174	31	104.1	144.4	134	284
NEW MXF4-13-23 	40.6	134.2	234	31	104.1	204.4	194	388

MXF/MXB/MXA/MX4-13-□



Accessories (Optional parts)

SIB SERIES **SILICONE BAND** ★ ★ NEW

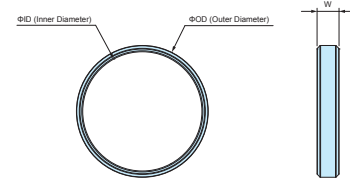


Application example



- Silicone band designed to fit MXA & MX series.
- Silicone band provides both shock resistance and non-slip grips for the MXA & MX enclosure.
- Elastic silicone band may also fit other similarly sized enclosures.

SIB dimensions



Color Type

Code	R Red	O Orange	Y Yellow	G Green	C Cyan	N Navy	L Light gray	B Black
Color								

Components

Part name	Pcs	Material	Color
Silicone band	Pair (2 pcs)	Silicone	Red • Orange • Yellow • Green • Cyan • Navy • Light gray • Black

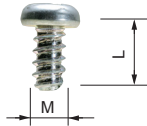
Product no. / Dimensions

■ Please suffix color code at the end of the product number.

Product no.	W	ID	OD	Suitable enclosures	Enclosure circumference (mm)	Weight (g)
NEW SIB-21□	6	21	25	MXA/MX1-5-□ • 2-4-□ • 2-6-□	95~135	2
NEW SIB-38□	7	38	42	MXA/MX2-7-□ • 2-8-□ • 4-7-□	160~190	4
NEW SIB-58□	8	58	63	MXA/MX2-10-□ • 3-11-□ • 4-10-□	215~255	10
NEW SIB-72□	10	72	77	MXA/MX4-13-□	280~320	14

EM SERIES

PCB MOUNTING SCREW



- Self-tapping screws for mounting PCB on bosses or standoffs.
- EM-3-6 self-tapping screws are suitable for mounting 1.6mm or thicker PCB.

Product no. / Dimensions

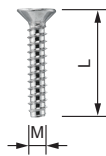
Product no.	M	L	Material	Finish	Suitable enclosures	Pack of
EM-1.6	1.6	4	Steel	Trivalent chromate	WC • CSS • CS • PS (M1.6 size)	50
EM-2	2	5	Steel	Trivalent chromate	PS • TW • TWN • TWF • WP (M2 size)	50
EM-2.3	2.3	6	Steel	Trivalent chromate	WH • LC • LCT • LCS • LCE • PFE WSC (Top cover bosses) PF • PFF (M2.3 size) TW • TWN • TWF (M2.3 size) WP (M2.3 size)	50
NEW EM-2.3-8	2.3	8	Steel	Trivalent chromate	WSC (Bottom base bosses)	50
EM-2.6	2.6	6	Steel	Trivalent chromate	PF • PFF • WP (M2.6 size)	50
EM-3	3	5	Steel	Trivalent chromate	SU TWS • TW • TWN • TWF (M3 sizes)	50
EM-3-6	3	6	Steel	Trivalent chromate		50

MR SERIES

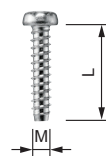
TORX SCREW



Countersunk head



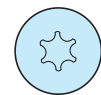
Pan head



With pin



★ Without pin



★ : MR1.6-6S, MR-2S, MR2.6-10□, and MR3-14□ are without pin.

Product no. / Dimensions

★Mark = Without pin

Product no.	M	L	head no.	Head style	Material	Finish	Suitable enclosures	Pack of
MR1.6-6S★	1.6	6	T3	Pan	Steel	Nickel plated	CS • CSS	20
MR2.5-8PS	2.5	8	T8	Pan	Steel	Nickel plated	PF • PFE • PFF (M2.5 size)	20
MR2.6-10S★	2.6	10	T8	Countersunk	Steel	Nickel plated	TW • TWN (M2.6 models) TWF (M2.6 models)	20
MR2.6-10B★	2.6	10	T8	Countersunk	Steel	Black trivalent chromate	MX • MXA • MXB • MXF (M2.6 models)	20
MR2.6-12PS	2.6	12	T8	Pan	Steel	Nickel plated	LCT • LCS • LC115-F2 / F3 LCT • LCS • LC145S-F6	20
MR2.6-14PS	2.6	14	T8	Pan	Steel	Nickel plated	LCT • LCS • LC115H-F2 / F3 / M2 / 9V LCT • LCS • LC135-F4 / M2 / M3 / 9V LCT • LCS • LC135H-F4 / M2 / M3 / 9V LCT • LCS • LC145-F6 / M2 / M4 LCT • LCS • LC145H-F6 / M2 / M4 LCT • LCS • LC165-M4 LCT • LCS • LC165H-M4	20
MR2.6-14S	2.6	14	T8	Countersunk	Steel	Nickel plated	LCT • LCS • LC115-N / F2 / F3 LCT • LCS • LC145S-F6 / 145S-N LCE115-N TW • TWN7-2-11 / 7-4-11 / 7-5-11 TWF7-2-11 / 7-4-11 / 7-5-11 / 8-2-8 / 8-4-8	20
MR2.6-18S	2.6	18	T8	Countersunk	Steel	Nickel plated	LCT • LCS • LC115H-N / F2 / F3 / M2 / 9V LCT • LCS • LC135-N / F4 / M2 / M3 / 9V LCT • LCS • LC135H-N / F4 / M2 / M3 / 9V LCT • LCS • LC145-N / F6 / M2 / M4 LCT • LCS • LC145H-N / F6 / M2 / M4 LCT • LCS • LC165-N / M4 LCT • LCS • LC165H-N / M4 LCE115H-N • LCE135-N • LCE145H-N • LCE165H-N	20
MR3-8PS	3	8	T10	Pan	Steel	Nickel plated	PF • PFE • PFF (M3 size)	20
MR3-14S★	3	14	T10	Countersunk	Steel	Nickel plated	TW • TWN (M3 models)	20
MR3-14B★	3	14	T10	Countersunk	Steel	Black trivalent chromate	TWF (M3 models) MX • MXA • MXB • MXF (M3 models)	20
MR-1S	3	5	T10	Countersunk	Steel	Nickel plated	UC	20
MR-1B	3	5	T10	Countersunk	Steel	Black trivalent chromate	UC • UCY • US	20
MR-2S	3	10	T10	Countersunk	Steel	Nickel plated	HEN	20