

MX • MXA • MXF • MXB SERIES

ALUMINIUM MOBILE ENCLOSURE

MXF • MXB • MXA • MX mobile enclosures are designed with a beautiful and elegant finish in mind. Having a rounded design, it fits comfortably in your hand, while giving off a simple yet sharp look. Suitable for use as small audio devices and as an amplifier unit, among others in a wide variety of industries. Selectable from 4 different types: an affordable plastic end panel type MX series, a luxurious aluminium end panel type MXA series, a flanged end panel MXF series, and the MXB series, which is the MXA series with a protective silicone band.

APPLICATION EXAMPLE

DESKTOP AUDIO PREAMPLIFIER with USB Product by Conisis lab.inc. (Japan)



DIGITAL HEADPHONE AMPLIFIER

Product by UpTone Audio (USA)



WIRELESS MICROPHONE SYSTEM

Product by Catchbox (Finland)



reddot award
product design



ETHERNET CELLULAR ROUTER Product by NimbeLink (USA)



WiFi ACCESS POINT



AIS (AUTOMATIC IDENTIFICATION SYSTEM) SIGNAL RECEIVER

Product by SRT Marine System Solutions (UK)



DATA TRANSMITTER for AUTOMATIC NUMBER PLATE RECOGNITION (ANPR) SYSTEM

Product by Sensor Dynamics (Australia)



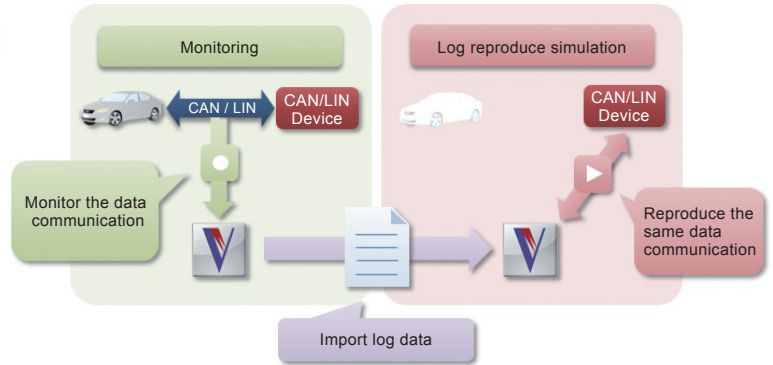
IO-Link DEVICE

Product by Lemonage Software (Germany)



CAN & LIN VEHICLE COMMUNICATION SIMULATOR / MONITOR

Product by P&A Technologies (Japan)



SIGNAL CHECKER / TESTER

Product by KUWATEC (Japan)



MODEL RAILROAD CONTROLLER

Product by Calura Ltd (Japan)



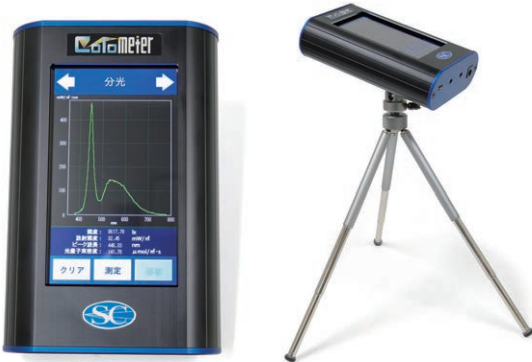
PORTABLE FREQUENCY STANDARD DEVICE

Product by FREQTIME (Japan)



SPECTRAL LUMINOMETER

Product by Spectra Co-op (Japan)



RTD SENSOR TESTER

Product by Turbomation (USA)



MOBILE MOISTURE METER

Product by ARP (Japan)



FULL COLOR LED TABLETOP LIGHTING DIVICE

Product by DAISHO DENKI INC. (Japan)



ACTIVE EMF PROTECTION DEVICE

Product by Blueshield Inc (New Zealand)



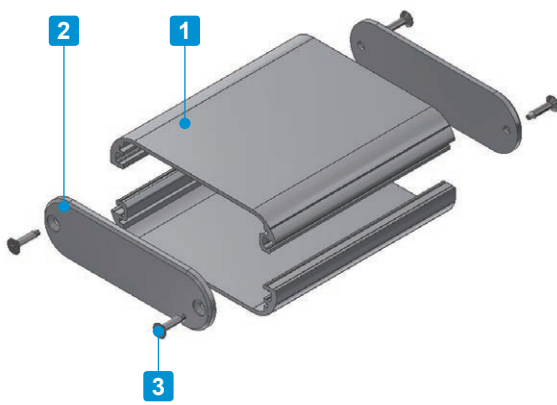
ILLUMINATION INVERTER

Product by Future Illuminations (USA)



MXA SERIES

ALUMINIUM MOBILE ENCLOSURE



- All aluminium mobile enclosure with easy to hold rounded design.
- 14 different color combinations and 30 different sizes available to choose from.
- Suitable to be used as digital audio amplifiers, communication devices, measurement tools, etc.
- Grooves are built into the internal enclosure, allowing for easy sliding/insertion of pcb boards.
- MXA1-5 models do not have internal grooves.

Included screws
 MXA1-5, 2-4, 2-6, 2-10 models : M2.6-14 x 4pcs
 MXA2-7, 2-8, 3-11, 4-7, 4-10, 4-13 models : M3-10 x 4 pcs

Components

No.	Part name	Pcs	Material	Color / Finish
1	Frame	2	Extruded aluminium A6063S-T5	Silver • Black / Anodized
2	Panel	2	Aluminium A1050P	Black • Silver • Cobalt • Green • Purple • Orange • Red / Anodized
3	Self tapping screw	4	Steel	Nickel plated • Black trivalent chromate

Custom length available in 1mm intervals.

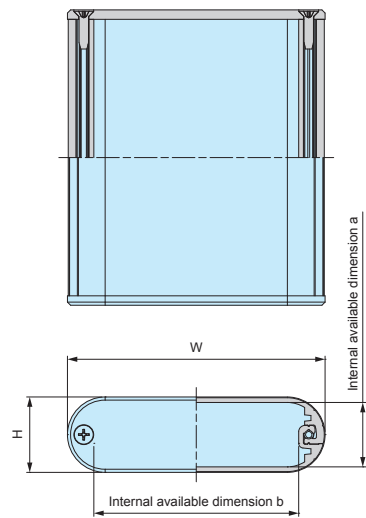


Color Type Please choose from the color combinations listed below

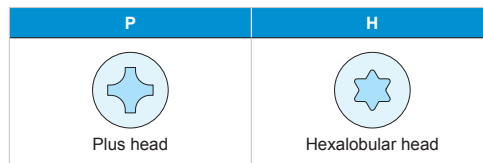


MXA dimensions

■ Drawings below are reference examples only.
Detailed DXF/DWG/PDF drawings available on our website.

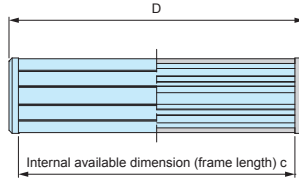


Screw Type



Please request / order by indicating the combination part number as below.

MXA 1 - 5 - 5 □ □ □
Color code Screw P or H



Accessories (Optional parts)



Silicone band SIB series
See page 130

Product no. / Dimensions

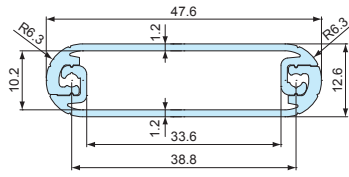
■ Please suffix color and screw code at the end of the product number.

Product no.	H	W	D	a	b	c	Weight (g)
MXA1- 5- 5□□	13	48	49	10.2	33.6	43	25
MXA1- 5- 8□□	13	48	79	10.2	33.6	73	40
MXA1- 5-11□□	13	48	109	10.2	33.6	103	55
MXA2- 4- 4□□	15	41	44	12.2	26.6	38	25
MXA2- 4- 7□□	15	41	74	12.2	26.6	68	40
MXA2- 4-10□□	15	41	104	12.2	26.6	98	50
MXA2- 6- 5□□	18	57	46	15.1	42.5	40	35
MXA2- 6- 7□□	18	57	71	15.1	42.5	65	50
MXA2- 6-10□□	18	57	96	15.1	42.5	90	65
MXA2- 7- 5□□	20	70	54	16.5	53.2	48	55
MXA2- 7- 8□□	20	70	84	16.5	53.2	78	80
MXA2- 7-11□□	20	70	114	16.5	53.2	108	110
MXA2- 8- 6□□	24	82	64	20.5	65.2	58	75
MXA2- 8- 9□□	24	82	94	20.5	65.2	88	105
MXA2- 8-12□□	24	82	124	20.5	65.2	118	135
MXA2-10- 7□□	16	100	74	13.2	85.6	68	70
MXA2-10-10□□	16	100	104	13.2	85.6	98	100
MXA2-10-14□□	16	100	144	13.2	85.6	138	135
MXA3-11- 7□□	30	110	72	26.5	93.2	66	115
MXA3-11-11□□	30	110	112	26.5	93.2	106	165
MXA3-11-16□□	30	110	162	26.5	93.2	156	235
MXA4- 7- 5□□	35	70	52	31.4	53.2	46	70
MXA4- 7- 8□□	35	70	82	31.4	53.2	76	100
MXA4- 7-11□□	35	70	112	31.4	53.2	106	135
MXA4-10- 7□□	40	95	70	36.4	78.2	64	120
MXA4-10-11□□	40	95	110	36.4	78.2	104	175
MXA4-10-14□□	40	95	140	36.4	78.2	134	220
MXA4-13- 9□□	35	130	90	31	113.2	84	180
MXA4-13-14□□	35	130	140	31	113.2	134	265
MXA4-13-20□□	35	130	200	31	113.2	194	370

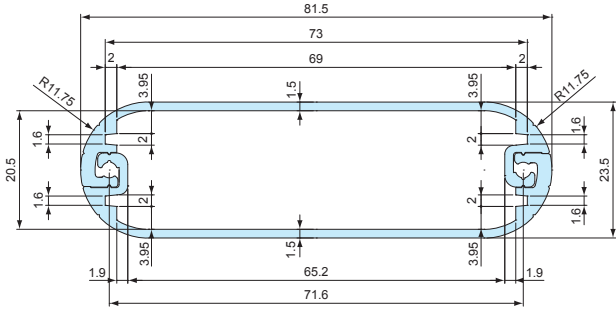
MXF • MXB • MXA • MX frame

■ DXF/DWG/PDF drawings available on our website.

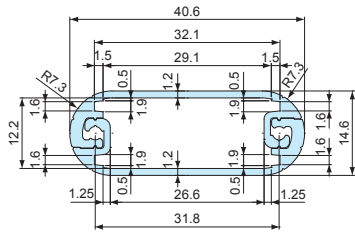
MXF/MXB/MXA/MX1-5-□



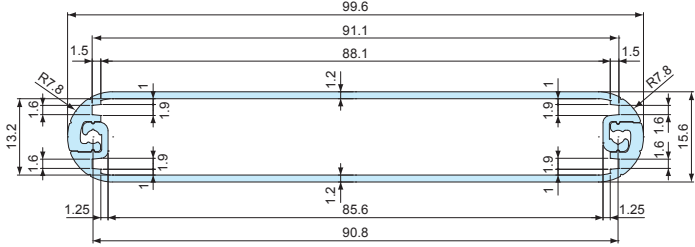
MXF/MXB/MXA/MX2-8-□



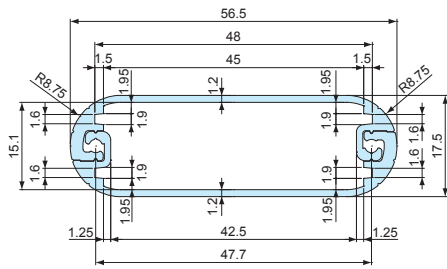
MXF/MXB/MXA/MX2-4-□



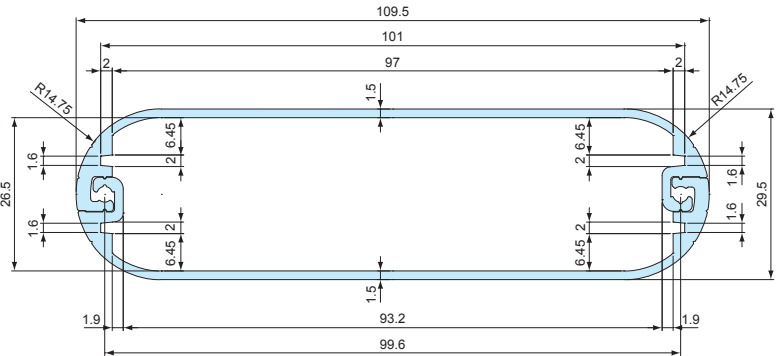
MXF/MXB/MXA/MX2-10-□



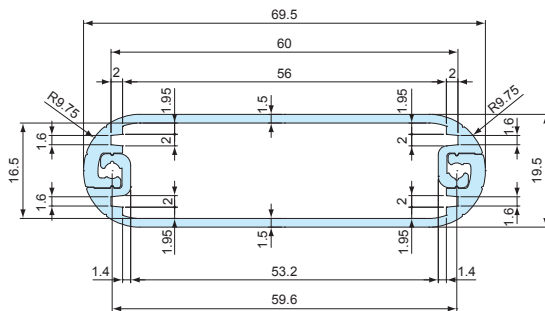
MXF/MXB/MXA/MX2-6-□



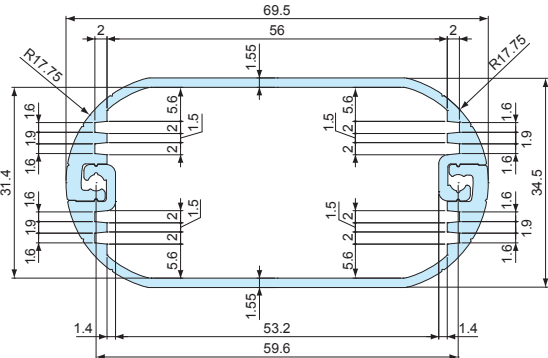
MXF/MXB/MXA/MX3-11-□



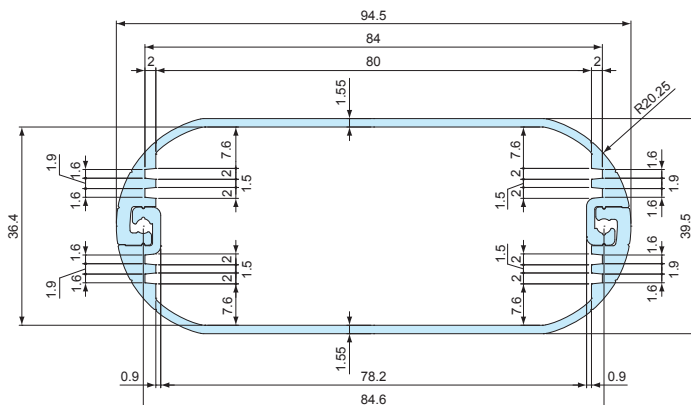
MXF/MXB/MXA/MX2-7-□



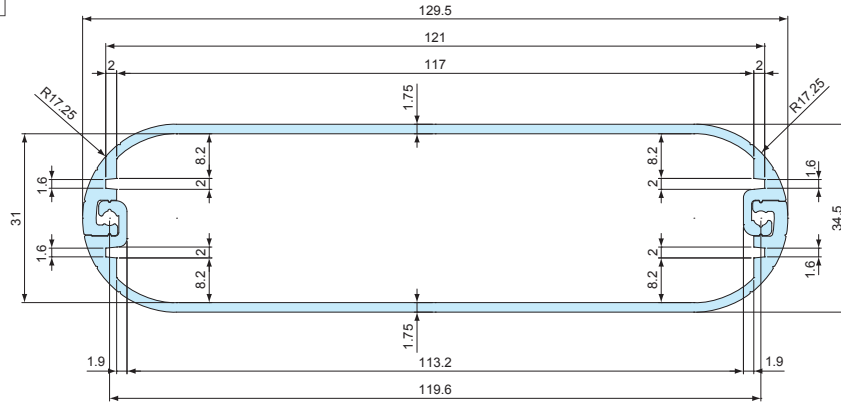
MXF/MXB/MXA/MX4-7-□



MXF/MXB/MXA/MX4-10-□



MXF/MXB/MXA/MX4-13-□



Accessories (Optional parts)

SIB SERIES **SILICONE BAND** ★ ★ NEW

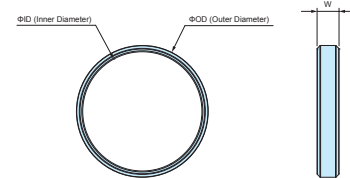


Application example



- Silicone band designed to fit MXA & MX series.
- Silicone band provides both shock resistance and non-slip grips for the MXA & MX enclosure.
- Elastic silicone band may also fit other similarly sized enclosures.

SIB dimensions



Color Type

Code	R Red	O Orange	Y Yellow	G Green	C Cyan	N Navy	L Light gray	B Black
Color								

Components

Part name	Pcs	Material	Color
Silicone band	Pair (2 pcs)	Silicone	Red • Orange • Yellow • Green • Cyan • Navy • Light gray • Black

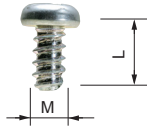
Product no. / Dimensions

■ Please suffix color code at the end of the product number.

Product no.	W	ID	OD	Suitable enclosures	Enclosure circumference (mm)	Weight (g)
NEW SIB-21□	6	21	25	MXA/MX1-5-□ • 2-4-□ • 2-6-□	95~135	2
NEW SIB-38□	7	38	42	MXA/MX2-7-□ • 2-8-□ • 4-7-□	160~190	4
NEW SIB-58□	8	58	63	MXA/MX2-10-□ • 3-11-□ • 4-10-□	215~255	10
NEW SIB-72□	10	72	77	MXA/MX4-13-□	280~320	14

EM SERIES

PCB MOUNTING SCREW



- Self-tapping screws for mounting PCB on bosses or standoffs.
- EM-3-6 self-tapping screws are suitable for mounting 1.6mm or thicker PCB.

Product no. / Dimensions

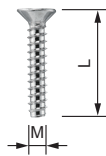
Product no.	M	L	Material	Finish	Suitable enclosures	Pack of
EM-1.6	1.6	4	Steel	Trivalent chromate	WC • CSS • CS • PS (M1.6 size)	50
EM-2	2	5	Steel	Trivalent chromate	PS • TW • TWN • TWF • WP (M2 size)	50
EM-2.3	2.3	6	Steel	Trivalent chromate	WH • LC • LCT • LCS • LCE • PFE WSC (Top cover bosses) PF • PFF (M2.3 size) TW • TWN • TWF (M2.3 size) WP (M2.3 size)	50
NEW EM-2.3-8	2.3	8	Steel	Trivalent chromate	WSC (Bottom base bosses)	50
EM-2.6	2.6	6	Steel	Trivalent chromate	PF • PFF • WP (M2.6 size)	50
EM-3	3	5	Steel	Trivalent chromate	SU TWS • TW • TWN • TWF (M3 sizes)	50
EM-3-6	3	6	Steel	Trivalent chromate		50

MR SERIES

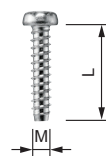
TORX SCREW



Countersunk head



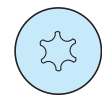
Pan head



With pin



★ Without pin



★ : MR1.6-6S, MR-2S, MR2.6-10□, and MR3-14□ are without pin.

Product no. / Dimensions

★Mark = Without pin

Product no.	M	L	head no.	Head style	Material	Finish	Suitable enclosures	Pack of
MR1.6-6S★	1.6	6	T3	Pan	Steel	Nickel plated	CS • CSS	20
MR2.5-8PS	2.5	8	T8	Pan	Steel	Nickel plated	PF • PFE • PFF (M2.5 size)	20
MR2.6-10S★	2.6	10	T8	Countersunk	Steel	Nickel plated	TW • TWN (M2.6 models) TWF (M2.6 models)	20
MR2.6-10B★	2.6	10	T8	Countersunk	Steel	Black trivalent chromate	MX • MXA • MXB • MXF (M2.6 models)	20
MR2.6-12PS	2.6	12	T8	Pan	Steel	Nickel plated	LCT • LCS • LC115-F2 / F3 LCT • LCS • LC145S-F6	20
MR2.6-14PS	2.6	14	T8	Pan	Steel	Nickel plated	LCT • LCS • LC115H-F2 / F3 / M2 / 9V LCT • LCS • LC135-F4 / M2 / M3 / 9V LCT • LCS • LC135H-F4 / M2 / M3 / 9V LCT • LCS • LC145-F6 / M2 / M4 LCT • LCS • LC145H-F6 / M2 / M4 LCT • LCS • LC165-M4 LCT • LCS • LC165H-M4	20
MR2.6-14S	2.6	14	T8	Countersunk	Steel	Nickel plated	LCT • LCS • LC115-N / F2 / F3 LCT • LCS • LC145S-F6 / 145S-N LCE115-N TW • TWN7-2-11 / 7-4-11 / 7-5-11 TWF7-2-11 / 7-4-11 / 7-5-11 / 8-2-8 / 8-4-8	20
MR2.6-18S	2.6	18	T8	Countersunk	Steel	Nickel plated	LCT • LCS • LC115H-N / F2 / F3 / M2 / 9V LCT • LCS • LC135-N / F4 / M2 / M3 / 9V LCT • LCS • LC135H-N / F4 / M2 / M3 / 9V LCT • LCS • LC145-N / F6 / M2 / M4 LCT • LCS • LC145H-N / F6 / M2 / M4 LCT • LCS • LC165-N / M4 LCT • LCS • LC165H-N / M4 LCE115H-N • LCE135-N • LCE145H-N • LCE165H-N	20
MR3-8PS	3	8	T10	Pan	Steel	Nickel plated	PF • PFE • PFF (M3 size)	20
MR3-14S★	3	14	T10	Countersunk	Steel	Nickel plated	TW • TWN (M3 models)	20
MR3-14B★	3	14	T10	Countersunk	Steel	Black trivalent chromate	TWF (M3 models) MX • MXA • MXB • MXF (M3 models)	20
MR-1S	3	5	T10	Countersunk	Steel	Nickel plated	UC	20
MR-1B	3	5	T10	Countersunk	Steel	Black trivalent chromate	UC • UCY • US	20
MR-2S	3	10	T10	Countersunk	Steel	Nickel plated	HEN	20

AFS•AFM SERIES

ALUMINIUM ISOLATION FEET



- The surface treatment and finish allows the feet to exhibit a polished and luxurious feel.
- Non-slip NBR O-ring is present on the underside of the feet.
- Suitable for use in audio devices.

Available in both internal and external screw installation type.

External type / Shot blast finish (AFS series)



The external type is secured via screws from the underside / base of the feet to the enclosure. A thread hole is required for direct securing, while a circular hole is required for lock nut securing.

The shot blast finish provides a high quality surface finish look, and pairing well with various types of enclosure surfaces.

Available in both silver and black.

Internal type / Reflective finish (AFM series)



The internal type is secured via screws from the inside of the enclosure. A circular hole is required for securing into the pre-made threads in the top-side of the feet.

The reflective surface finish adds a high quality touch to the unit, allow it to have a luxurious look.

Available only in Silver.

Accessories (Optional parts)

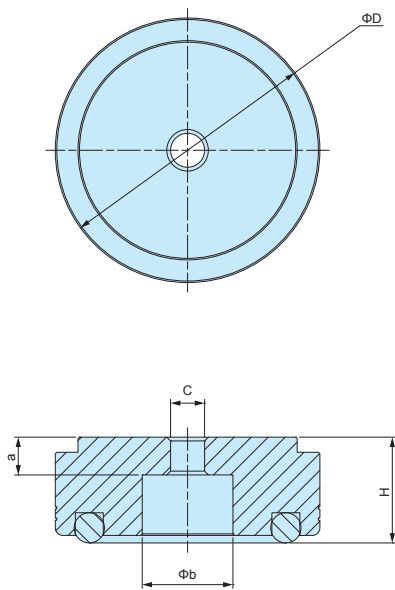
Product no. / Dimensions

Product no.		D	H	Installation type	C	a	b	Pack of
● Silver	● Black							
AFS20- 8S	AFS20- 8B	20	8	External	Φ3.4	3	9	4
AFS25-10S	AFS25-10B	25	10	External	Φ4.5	4	12	4
AFS30-12S	AFS30-12B	30	12	External	Φ4.5	5	12	4
AFS35-14S	AFS35-14B	35	14	External	Φ4.5	5	12	4
AFS39-16S	AFS39-16B	39	16	External	Φ4.5	5	15	4
AFS44-18S	AFS44-18B	44	18	External	Φ4.5	5	20	4
AFS55-20S	AFS55-20B	55	20	External	Φ5.5	5	20	4
AFM15- 7S	-	15	7	Internal	M3	4	-	4
AFM20- 9S	-	20	9	Internal	M3	5	-	4
AFM25-12S	-	25	12	Internal	M4	7	-	4
AFM30-14S	-	30	14	Internal	M4	8	-	4
AFM35-16S	-	35	16	Internal	M4	10	-	4
AFM39-18S	-	39	18	Internal	M4	10	-	4
AFM44-20S	-	44	20	Internal	M4	10	-	4
AFM55-22S	-	55	22	Internal	M5	15	-	4

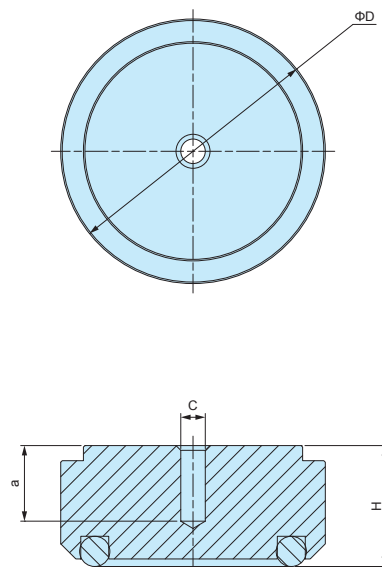
AFS • AFM dimensions

■ Drawings below are reference examples only.
DXF/DWG/PDF drawings available on our website.

AFS SERIES



AFM SERIES



APPLICATION EXAMPLE

