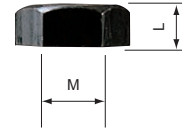
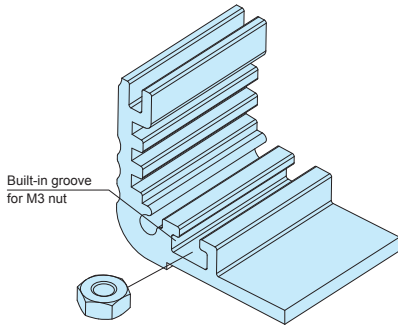


MT-3N

SLIDING NUT for EXP • EXPE • EXW • EXPF • EXEF • EXWF • EX



Product no. / Dimensions

Product no.	M	L	Material	Finish	Pack of
MT-3N	3	2.4	Steel	Black trivalent chromate	50

- Sliding nut can be used on all EXP • EXPE • EXW • EXPF • EXEF • EXWF • EX models with width 140mm or larger bottom covers, as well as with width 230mm top covers.

EXEG SERIES

EMC SHIELDING FABRIC-OVER-FOAM GASKET for EXPE • EXEF



- EMC shielding fabric-over-foam gasket for EXPE • EXEF series.

Suitable Enclosure

Product no.	Suitable enclosure
EXEG-2.5	EXPE7-□ • 9-□ • 12-□ • 15-□ / EXEF7-□ • 9-□ • 11-□ • 15-□
EXEG-3.2	EXPE20-□ • 24-□ / EXEF20-□ • 24-□



EMC Shielding Effects

Product no. / Dimensions

Product no.	Φ	Material	Color	Sales unit
EXEG-2.5	2.5	Wire mesh gasket • TPE	Metallic gray	500mm x 1 pc
NEW EXEG-3.2	3.2	Wire mesh gasket • TPE	Metallic gray	500mm x 1 pc

Length tolerance = +/- 10%

APPLICATION EXAMPLE EX series

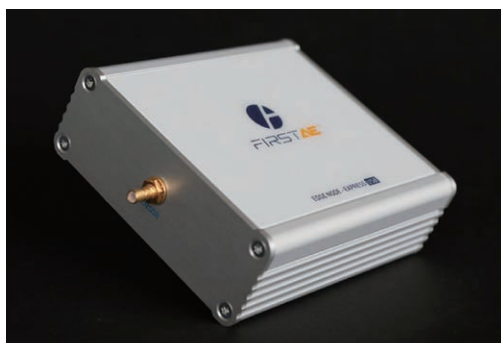
PREMAIN POWER AMPLIFIER

Product by AY-densi (Japan)



USB EDGE NODE

Product by SHINWA (Japan)



EF SERIES

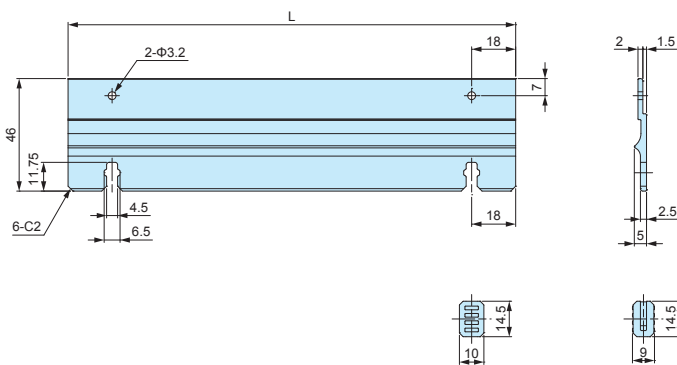
WALL MOUNTING BRACKET for EX • EXH



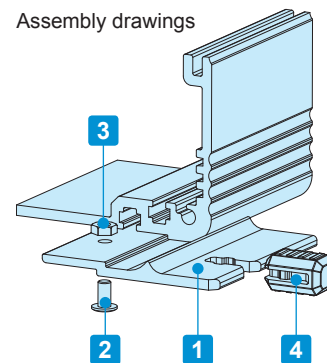
APPLICATION EXAMPLE



- Wall mounting bracket for EX • EXH series. Applicable only for width 185 and 225mm bottom covers.
- Easy installation by inserting the nuts into built-in grooves on EX • EXH bottom cover.
- Rubber feet are included to mask the mounting cutouts when not used for wall mounting.



Assembly drawings



Components

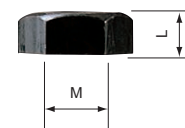
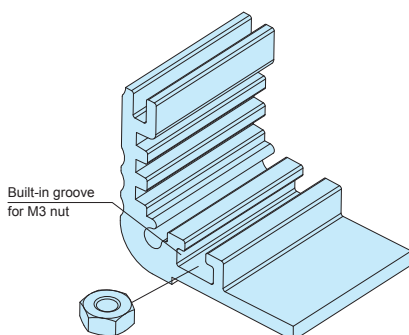
No.	Part name	Pcs	Material	Color / Finish
1	Bracket	2	Extruded aluminium A6063S-T5	Silver • Black / Anodized
2	Screw	4	Steel M3-6	Black trivalent chromate
3	Nut	4	Steel	Black trivalent chromate
4	Rubber feet	4	Silicone	Black

Product no. / Dimensions

Product no.		L	Suitable enclosure
● Silver	● Black		
NEW EF19-13S	NEW EF19-13B	119.5	EX • EXH19-○-13□□
NEW EF19-18S	NEW EF19-18B	171.5	EX • EXH19-○-18□□
NEW EF19-23S	NEW EF19-23B	224.5	EX • EXH19-○-23□□
NEW EF19-29S	NEW EF19-29B	279.5	EX • EXH19-○-29□□
NEW EF23-15S	NEW EF23-15B	146.5	EX • EXH23-○-15□□
NEW EF23-21S	NEW EF23-21B	206.5	EX • EXH23-○-21□□
NEW EF23-27S	NEW EF23-27B	266.5	EX • EXH23-○-27□□
NEW EF23-33S	NEW EF23-33B	326.5	EX • EXH23-○-33□□

MT-3N

SLIDING NUT for EXH • EXHF



Product no. / Dimensions

Product no.	M	L	Material	Finish	Pack of
MT-3N	3	2.4	Steel	Black trivalent chromate	50

- Sliding nut can be used on all EXH • EXHF heat-sink top covers, as well as with width 140mm or larger bottom covers.