

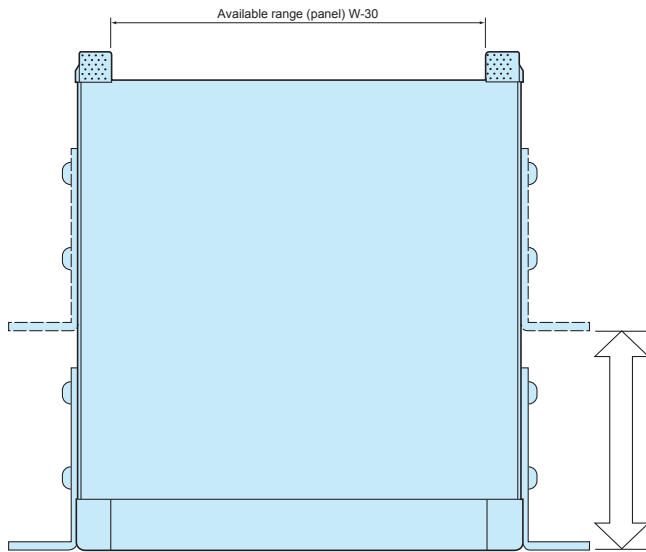
# MSR SERIES

# RACK MOUNT ENCLOSURE

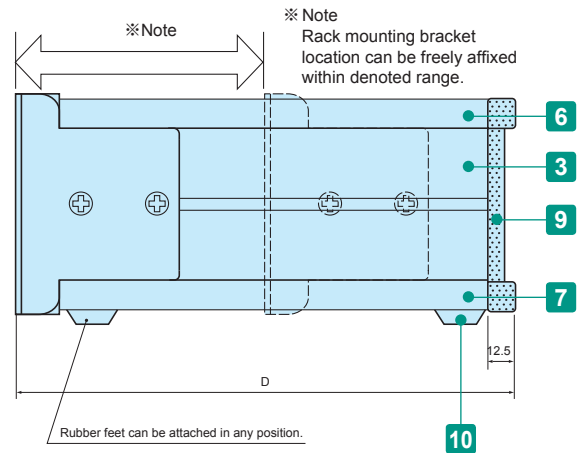
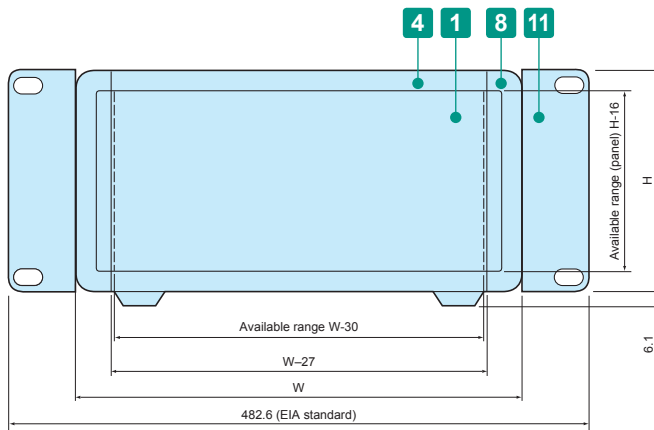


## MSR dimensions

- 16 different sizes available.
- Screws are hidden out of view for a sophisticated and elegant look.
- Easy to punch or mill holes on both front and rear panels.



- Drawings below are reference examples only. DXF/DWG/PDF drawings available on our website.



**Components**

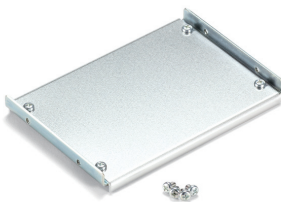
■ Refer to page 250 for more information on rack mounting bracket.

No.	Part name	Pcs	Material	Color / Finish
1	Front panel	1	Aluminium A1050P t=2.0	Silver • Black / Hairline brushed & Anodized
-	Rear panel	1	Aluminium A1050P t=2.0	Silver • Black / Anodized
3	Side frame	2	Extruded aluminium A6063S-T5	Gray • Black / Painted
4	Front frame	2	Extruded aluminium A6063S-T5	Gray • Black / Painted
-	Rear frame	2	Extruded aluminium A6063S-T5	Silver / Anodized
6	Top cover	1	Steel SPCC t=1.0	Light gray • Black / Painted
7	Bottom cover	1	Steel SPCC t=1.0	Light gray • Black / Painted
8	Corner block	2	Diecast aluminium ADC12	Gray • Black / Painted
9	Rear feet	2	ABS UL94V-0	Gray • Black
10	Rubber feet	4	Polyurethane	Black
11	Rack mounting bracket	2	Extruded aluminium A6063S-T5	Gray • Black painted

■ Note: Front / rear panels are covered with a protective film on one side. Remove before assembly.

Included screws and nuts  
 M4-6 countersunk • Trivalent chromate x 4 pcs  
 M4-8 Pan head • Trivalent chromate x 8 pcs  
 M4-10 Binding head • Black trivalent chromate x 4 pcs  
 M5-10 Flat head • Black trivalent chromate x 4 pcs  
 M5 Nut (Product no. MZ-5) x 4 pcs

**Accessories (Optional parts)**



Mounting plate MSC series  
See page MSC • MSCL-1



L-bracket MSCL series  
See page MSC • MSCL-1



Aluminium handle OH series  
See page OH • KH-1



Cable hook CBF series  
See page TL • CBF-1

**Color Type**

■ Please suffix color code at the end of the product number.

● G		● B		● BS	
Panel	Silver	Panel	Black	Panel	Silver
Top • Bottom cover	Light gray	Top • Bottom cover	Black	Top • Bottom cover	Black
Side frame	Gray	Side frame	Black	Side frame	Black

**Product no. / Dimensions**

Product no.	H	W	D	Weight (kg)
MSR 88-43-23 □	88	430	230	3.1
MSR 88-43-28 □	88	430	280	3.5
MSR 88-43-35 □	88	430	350	4.2
MSR 88-43-45 □	88	430	450	5.1
MSR133-43-23 □	132.5	430	230	3.6
MSR133-43-28 □	132.5	430	280	4.1
MSR133-43-35 □	132.5	430	350	4.8
MSR133-43-45 □	132.5	430	450	5.8
MSR177-43-23 □	177	430	230	4.3
MSR177-43-28 □	177	430	280	4.9
MSR177-43-35 □	177	430	350	5.7
MSR177-43-45 □	177	430	450	6.9
MSR222-43-23 □	221.5	430	230	4.7
MSR222-43-28 □	221.5	430	280	5.3
MSR222-43-35 □	221.5	430	350	6.2
MSR222-43-45 □	221.5	430	450	7.5

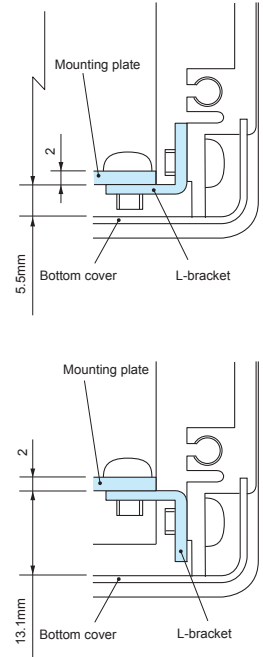
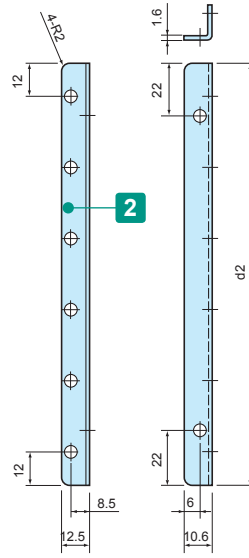
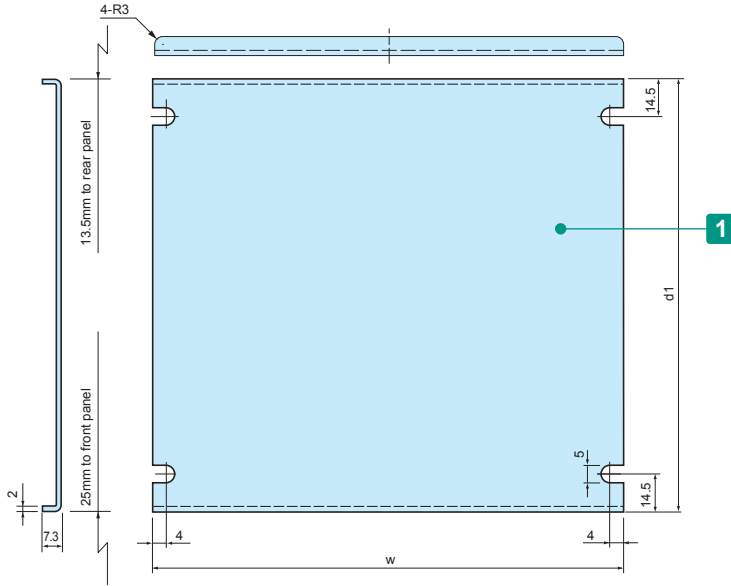
MSC SERIES

MOUNTING PLATE for MS • MSN • MSY • MSR • MO • MON • MOY • MOR

DXF/DWG/PDF drawings available on our website.

1 set = Mounting plate + L-bracket

Mounting example



Components

No.	Part name	Pcs	Material	Color / Finish
1	Mounting plate	1	Aluminium A1050P t=2.0	Unfinished
2	L-bracket	2	Steel SPCC	Trivalent chromate

Included screws: M4-6 pan head, trivalent chromate x8

Product no. / Dimensions

Product no.	w	d1	d2	Enclosure WxD	Weight (g)
MSC16-16	130	96.5	91.5	160 × 160	120
MSC16-23	130	166.5	161.5	160 × 230	210
MSC16-28	130	216.5	211.5	160 × 280	270
MSC21-16	180	96.5	91.5	210 × 160	150
MSC21-23	180	166.5	161.5	210 × 230	250
MSC21-28	180	216.5	211.5	210 × 280	330
MSC21-35	180	286.5	281.5	210 × 350	430
MSC26-23	230	166.5	161.5	260 × 230	300
MSC26-28	230	216.5	211.5	260 × 280	390
MSC26-35	230	286.5	281.5	260 × 350	510
MSC32-23	290	166.5	161.5	320 × 230	360

Product no.	w	d1	d2	Enclosure WxD	Weight (g)
MSC32-28	290	216.5	211.5	320 × 280	460
MSC32-35	290	286.5	281.5	320 × 350	600
MSC32-45	290	386.5	381.5	320 × 450	810
MSC37-23	340	166.5	161.5	370 × 230	410
MSC37-28	340	216.5	211.5	370 × 280	520
MSC37-35	340	286.5	281.5	370 × 350	680
MSC37-45	340	386.5	381.5	370 × 450	910
MSC43-23	400	166.5	161.5	430 × 230	460
MSC43-28	400	216.5	211.5	430 × 280	590
MSC43-35	400	286.5	281.5	430 × 350	770
MSC43-45	400	386.5	381.5	430 × 450	1,040

MSCL SERIES

L-BRACKET for MS • MSN • MSY • MSR • MO • MON • MOY • MOR

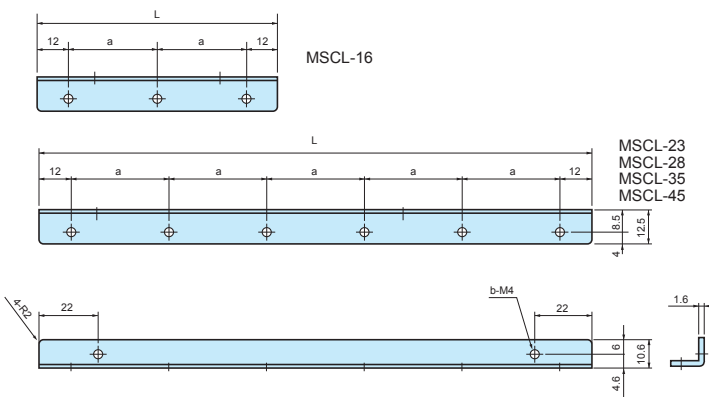
- Use with your original mounting plate or PCB.
- 1 pair of L-bracket are included with each MSC mounting plate.

Components

Part name	Material	Color / Finish
L-bracket	Steel SPCC	Trivalent chromate

Product no. / Dimensions

Product no.	L	a	b	Sales unit
MSCL-16	91.5	33.75	5	1 set (2 pcs)
MSCL-23	161.5	27.5	8	1 set (2 pcs)
MSCL-28	211.5	37.5	8	1 set (2 pcs)
MSCL-35	281.5	51.5	8	1 set (2 pcs)
MSCL-45	381.5	71.5	8	1 set (2 pcs)



**MSM SERIES**

**RACK MOUNT BRACKET**

**Components**

Material	Color / Finish
Extruded aluminium A6063S-T5	Gray • Black / Painted

Included screws : M5-10 Flat head x 4 pcs / Black trivalent chromate + Nut x 4 pcs

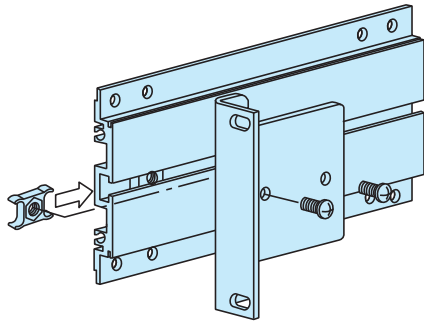
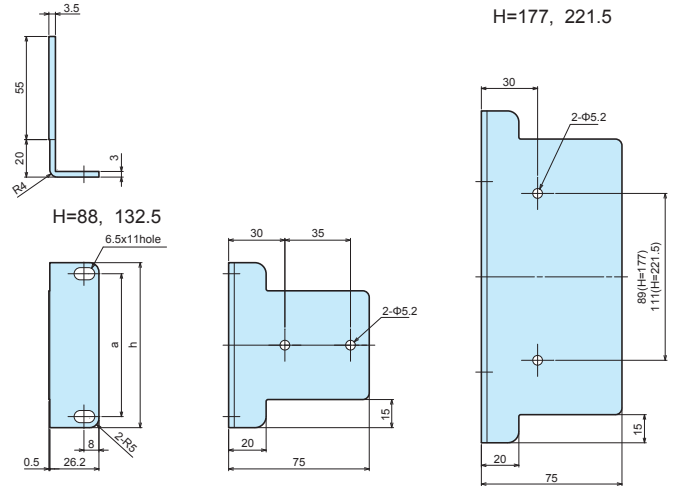
**Color Type**

Color code	Material	Color / Finish
G	Extruded aluminium A6063S-T5	Gray / Painted
B	Extruded aluminium A6063S-T5	Black / Painted

**Product no. / Dimensions**

Product no.	h (Enclosure H)	a	Pack of
MSM- 88□	88	76.2	2
MSM-133□	132.5	57.1	2
MSM-177□	177	101.6	2
MSM-222□	221.5	146	2

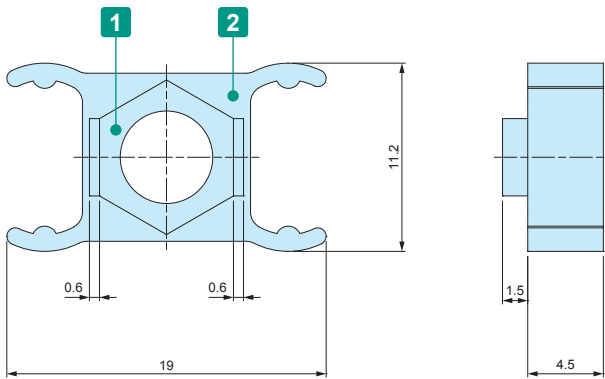
■ Please suffix color code at the end of the product number.



**MZ SERIES**

**SIDE FRAME NUT**

■ Side frame nut for MS • MSN • MSY • MSR • MO • MON • MOY • MOR series.



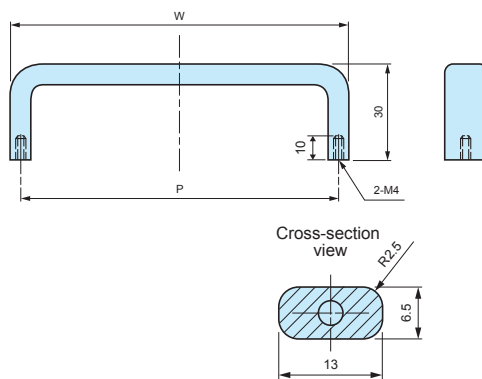
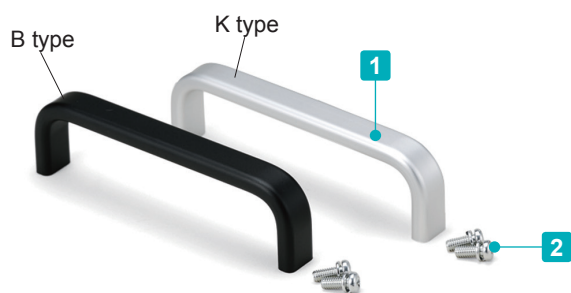
**Components**

No.	Part name	Material	Color / Finish
1	Nut	Brass • Steel	Nickel plated
2	Holder	Polyethylene	Black

**Product no. / Feature**

Product no.	Screw size	Nut material	Pack of
MZ-4	M4	Brass	10
MZ-5	M5	Steel	10

**OH SERIES ALUMINIUM HANDLE**



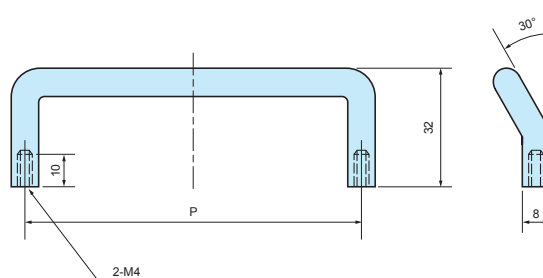
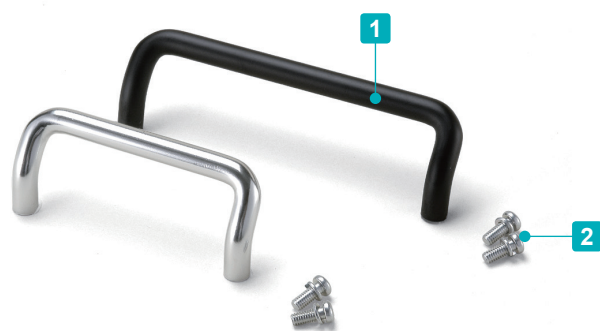
**Components**

No.	Part name	Pcs	Material	Color / Finish
1	Handle	1	Extruded aluminium A6063S-T5	Matte anodized
2	Screw (M4-10 Pan head with spring washer)	2	Steel	Trivalent chromate

**Product no. / Dimensions**

Product no.		P	W	Pack of
● Black matte anodized	● Silver matte anodized			
OH- 55B	OH- 55K	55	61.5	2
OH- 70B	OH- 70K	70	76.5	2
OH- 85B	OH- 85K	85	91.5	2
OH-100B	OH-100K	100	106.5	2
OH-120B	OH-120K	120	126.5	2
OH-140B	OH-140K	140	146.5	2
OH-170B	OH-170K	170	176.5	2

**KH SERIES ANGLED ALUMINIUM HANDLE**



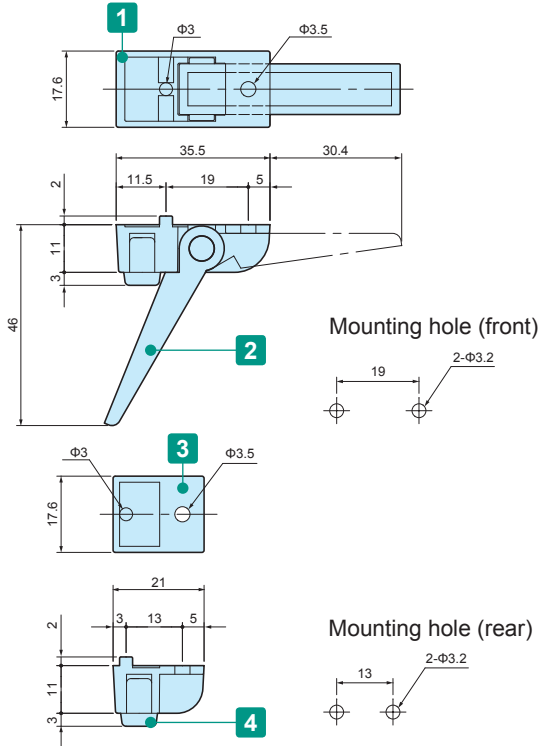
**Components**

No.	Part name	Pcs	Material	Color / Finish
1	Handle	1	Extruded aluminium A5056S	Polished • Matte anodized
2	Screw (M4-10 Pan head with spring washer)	2	Steel	Trivalent chromate

**Product no. / Dimensions**

Product no.		P	Pack of
● Silver polished	● Black matte anodized		
KH- 70S	KH- 70B	70	2
KH-100S	KH-100B	100	2

**TL SERIES TILT LEG**



**Components**

\* Maximum load = 7 kg

No.	Part name	Pcs	Material	Color / Finish
1	Front feet	2	ABS UL94HB	Black • Gray • Light gray
2	Leg	2	ABS UL94HB	Black • Gray • Light gray
3	Rear feet	2	ABS UL94HB	Black • Gray • Light gray
4	Rubber feet	4	EPDM	Gray • Black
-	Screw	4	Steel	Black trivalent chromate

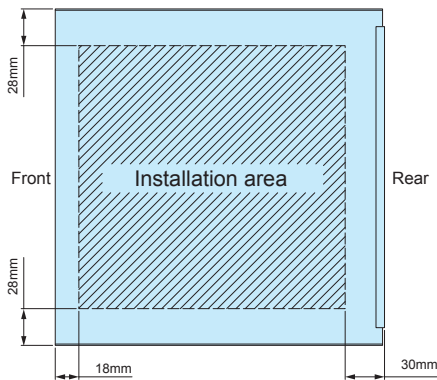
■ Included screws: M3-8 and M3 nut (with washer) set.

**Product no. / Dimensions**

Product no.	Color (body)	Color (rubber feet)	Sales unit
● TL-45BB	Black	Black	1 set
● TL-45GG	Gray	Gray	1 set
● TL-45SG	Light gray	Gray	1 set

■ EPDM (black) may have its color migrate onto the placement surface.

**MS SERIES INSTALLATION AREA**



**CBF SERIES CABLE HOOK**



APPLICATION EXAMPLE

- Used for wrapping and securing cords and wires.
- Can be used with a variety of different enclosure series and models.
- Requires a panel thickness of between 1.0 ~ 3.0mm.

**Product no. / Dimensions**

Product no.		Material	Pack of
● Gray	● Black		
CBF-1G	CBF-1B	POM	4

■ Included screws: M3-8 trivalent chromate (with washer) x 4 pcs

