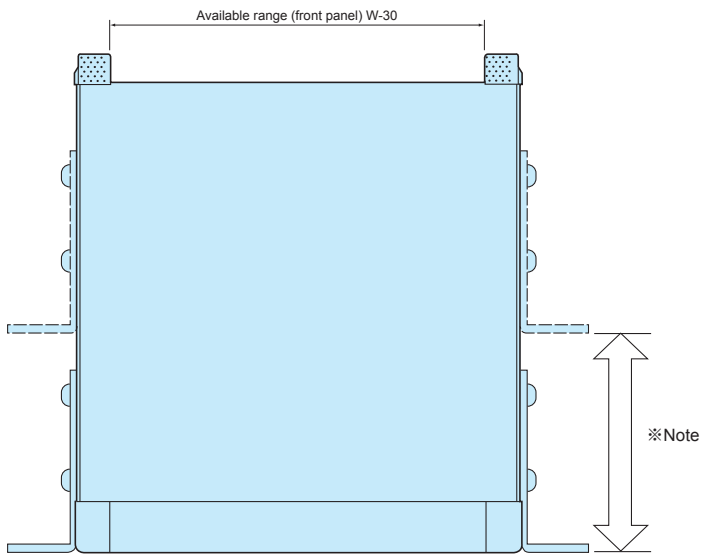


MOR SERIES

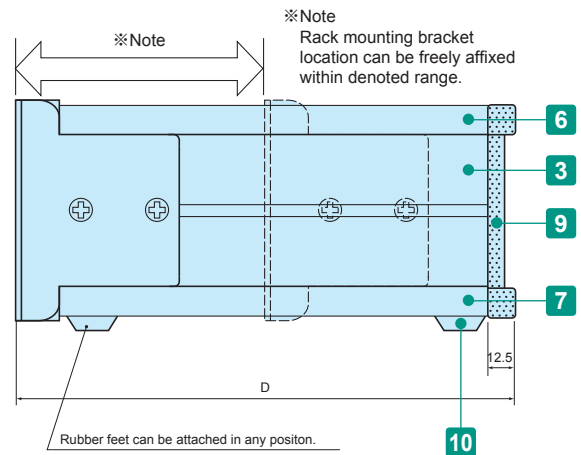
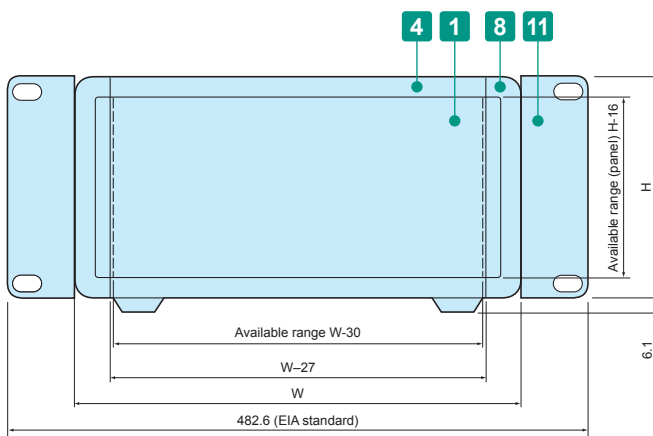
SYSTEM RACK MOUNT CASE



- Available in 3 different colors and 16 different sizes.
- Lightweight system rack mount case.
- Screws are hidden out of view for a sophisticated and elegant look.



- Drawings below are reference examples only.
DXF/DWG/PDF drawings available on our website.



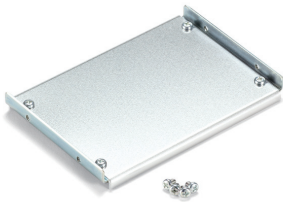
Components

No.	Part name	Pcs	Material	Color / Finish
1	Front panel	1	Aluminium A1050P t=2.0	Silver • Black / Hairline brushed & Anodized
2	Rear panel	1	Aluminium A1050P t=2.0	Silver • Black / Anodized
3	Side frame	2	Extruded aluminium A6063S-T5	Gray • Black / Painted
4	Front frame	2	Extruded aluminium A6063S-T5	Gray • Black / Painted
5	Rear frame	2	Extruded aluminium A6063S-T5	Silver / Anodized
6	Top cover	1	Aluminium A1100P t=1.0	Light gray • Black / Painted
7	Bottom cover	1	Aluminium A1100P t=1.0	Light gray • Black / Painted
8	Corner block	2	Diecast aluminium ADC12	Gray • Black / Painted
9	Rear feet	2	ABS UL94V-0	Gray • Black
10	Rubber feet	4	Polyurethane	Black
11	Rack mount bracket	2	Extruded aluminium A6063S-T5	Gray • Black / Painted

■ Note: Front / rear panels and top / bottom covers are covered with a protective film on one side. Remove before assembly.

Included screws and nuts
 M4-6 countersunk • Trivalent chromate x 4 pcs
 M4-8 Pan head • Trivalent chromate x 8 pcs
 M4-10 Binding head • Black trivalent chromate x 4 pcs
 M5-10 Flat head • Black trivalent chromate x 4 pcs
 M5 nut (Product no. MZ-5) x 4 pcs

Accessories (Optional parts)



Mounting plate MSC series
See page MSC • MSCL-1



L-bracket MSCL series
See page MSC • MSCL-1



Aluminium handle OH series
See page OH • KH-1



Cable hook CBF series
See page TL • CBF-1

Color Type

G		B		BS	
Panel	Silver	Panel	Black	Panel	Silver
Top • Bottom cover	Light Gray	Top • Bottom cover	Black	Top • Bottom cover	Black
Side frame	Gray	Side frame	Black	Side frame	Black

■ Please suffix color code at the end of the product number.

Product no. / Dimensions

Product no.	H	W	D	Weight (kg)
MOR 88-43-23 □	88	430	230	2.2
MOR 88-43-28 □	88	430	280	2.4
MOR 88-43-35 □	88	430	350	2.8
MOR 88-43-45 □	88	430	450	3.4
MOR133-43-23 □	132.5	430	230	2.7
MOR133-43-28 □	132.5	430	280	3.0
MOR133-43-35 □	132.5	430	350	3.4
MOR133-43-45 □	132.5	430	450	4.0
MOR177-43-23 □	177	430	230	3.4
MOR177-43-28 □	177	430	280	3.7
MOR177-43-35 □	177	430	350	4.3
MOR177-43-45 □	177	430	450	5.0
MOR222-43-23 □	221.5	430	230	3.8
MOR222-43-28 □	221.5	430	280	4.1
MOR222-43-35 □	221.5	430	350	4.7
MOR222-43-45 □	221.5	430	450	5.6

MSM SERIES

RACK MOUNT BRACKET

Components

Material	Color / Finish
Extruded aluminium A6063S-T5	Gray • Black / Painted

Included screws : M5-10 Flat head x 4 pcs / Black trivalent chromate + Nut x 4 pcs

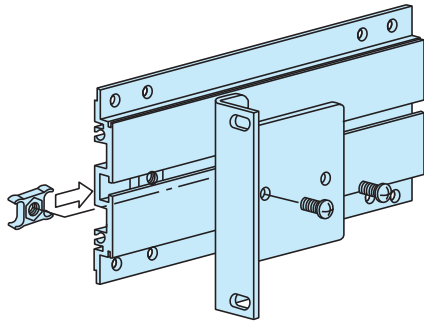
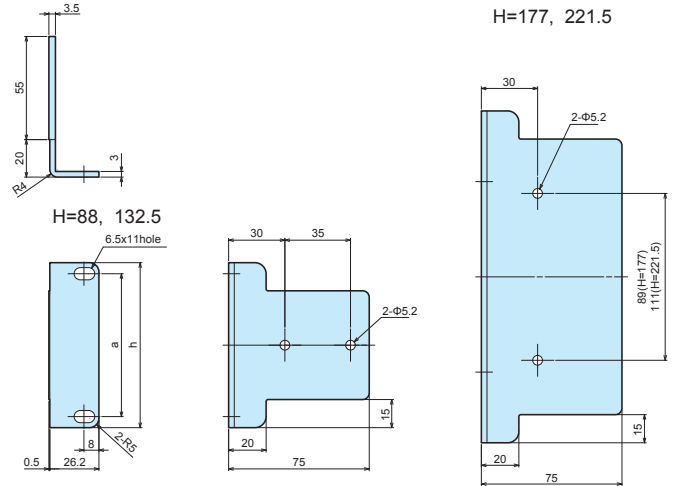
Color Type

Color code	Material	Color / Finish
G	Extruded aluminium A6063S-T5	Gray / Painted
B	Extruded aluminium A6063S-T5	Black / Painted

Product no. / Dimensions

Product no.	h (Enclosure H)	a	Pack of
MSM- 88□	88	76.2	2
MSM-133□	132.5	57.1	2
MSM-177□	177	101.6	2
MSM-222□	221.5	146	2

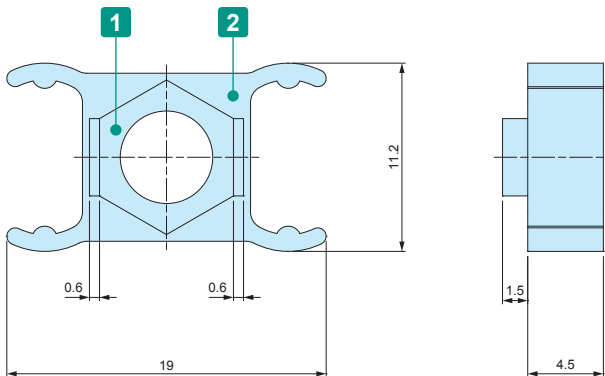
■ Please suffix color code at the end of the product number.



MZ SERIES

SIDE FRAME NUT

■ Side frame nut for MS • MSN • MSY • MSR • MO • MON • MOY • MOR series.



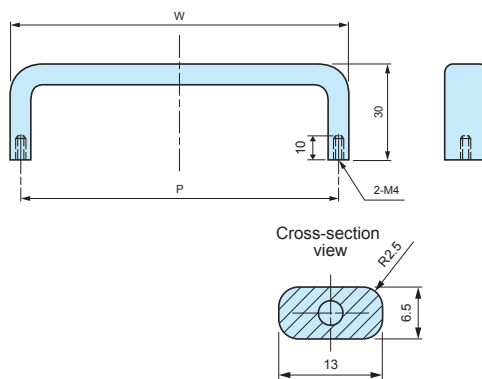
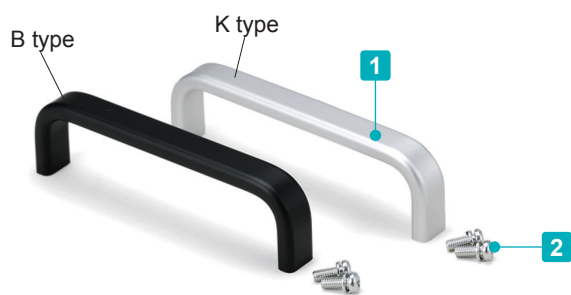
Components

No.	Part name	Material	Color / Finish
1	Nut	Brass • Steel	Nickel plated
2	Holder	Polyethylene	Black

Product no. / Feature

Product no.	Screw size	Nut material	Pack of
MZ-4	M4	Brass	10
MZ-5	M5	Steel	10

OH SERIES ALUMINIUM HANDLE



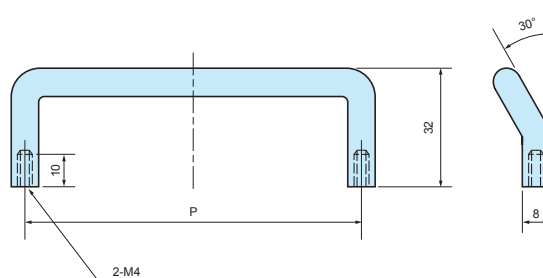
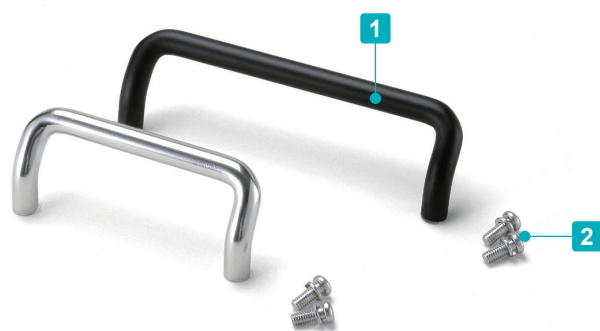
Components

No.	Part name	Pcs	Material	Color / Finish
1	Handle	1	Extruded aluminium A6063S-T5	Matte anodized
2	Screw (M4-10 Pan head with spring washer)	2	Steel	Trivalent chromate

Product no. / Dimensions

Product no.		P	W	Pack of
● Black matte anodized	● Silver matte anodized			
OH- 55B	OH- 55K	55	61.5	2
OH- 70B	OH- 70K	70	76.5	2
OH- 85B	OH- 85K	85	91.5	2
OH-100B	OH-100K	100	106.5	2
OH-120B	OH-120K	120	126.5	2
OH-140B	OH-140K	140	146.5	2
OH-170B	OH-170K	170	176.5	2

KH SERIES ANGLED ALUMINIUM HANDLE



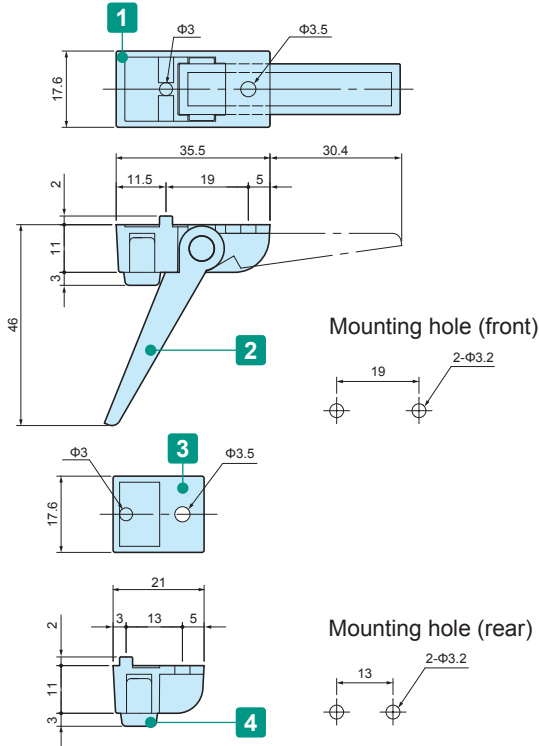
Components

No.	Part name	Pcs	Material	Color / Finish
1	Handle	1	Extruded aluminium A5056S	Polished • Matte anodized
2	Screw (M4-10 Pan head with spring washer)	2	Steel	Trivalent chromate

Product no. / Dimensions

Product no.		P	Pack of
● Silver polished	● Black matte anodized		
KH- 70S	KH- 70B	70	2
KH-100S	KH-100B	100	2

TL SERIES TILT LEG



Components

* Maximum load = 7 kg

No.	Part name	Pcs	Material	Color / Finish
1	Front feet	2	ABS UL94HB	Black • Gray • Light gray
2	Leg	2	ABS UL94HB	Black • Gray • Light gray
3	Rear feet	2	ABS UL94HB	Black • Gray • Light gray
4	Rubber feet	4	EPDM	Gray • Black
-	Screw	4	Steel	Black trivalent chromate

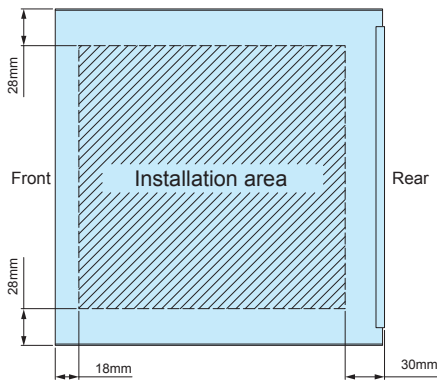
■ Included screws: M3-8 and M3 nut (with washer) set.

Product no. / Dimensions

Product no.	Color (body)	Color (rubber feet)	Sales unit
● TL-45BB	Black	Black	1 set
● TL-45GG	Gray	Gray	1 set
● TL-45SG	Light gray	Gray	1 set

■ EPDM (black) may have its color migrate onto the placement surface.

MS SERIES INSTALLATION AREA



CBF SERIES CABLE HOOK



APPLICATION EXAMPLE

- Used for wrapping and securing cords and wires.
- Can be used with a variety of different enclosure series and models.
- Requires a panel thickness of between 1.0 ~ 3.0mm.

Product no. / Dimensions

Product no.		Material	Pack of
● Gray	● Black		
CBF-1G	CBF-1B	POM	4

■ Included screws: M3-8 trivalent chromate (with washer) x 4 pcs

