



MAR series

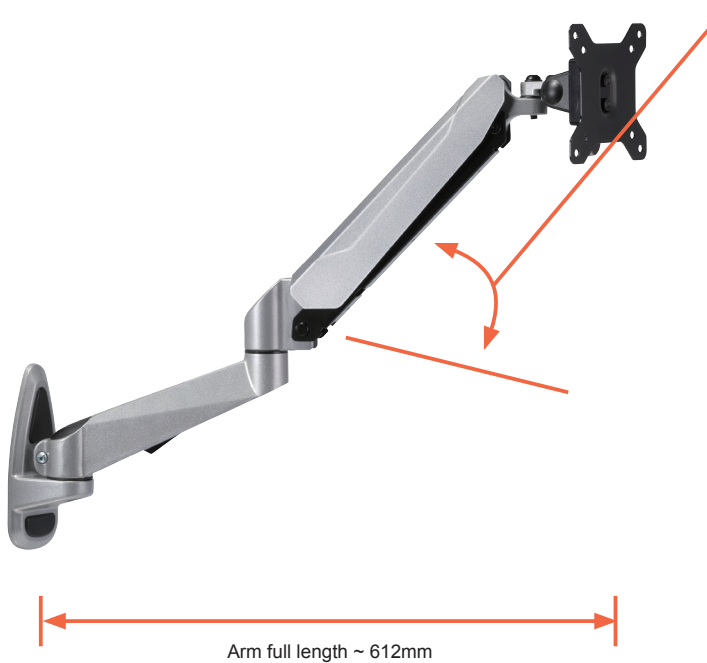
WALL MOUNT SUPPORT ARM



- Wall mount support arm move easily to the preferred positions.
- Suitable for command panel on machinery and touch panel controller. Easy installation onto the wall as well.
- Hole pitch on the monitor bracket is compatible with VESA mount standards. Possible to mount PC display without modification.

MAR specifications

MAR-312W

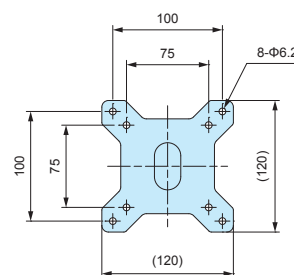


Arm can move up/down direction.

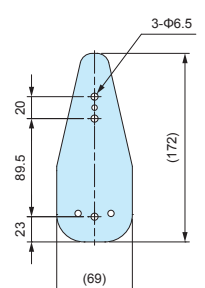


Adjustable bolt for up/down direction on arm is firmly set initially. Adjust the movement according to the installed device.

Pan-Tilt bracket dimensions



Wall mounting bracket dimensions

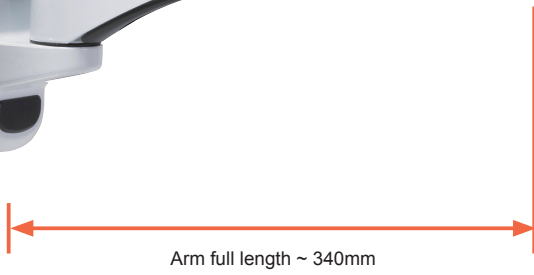
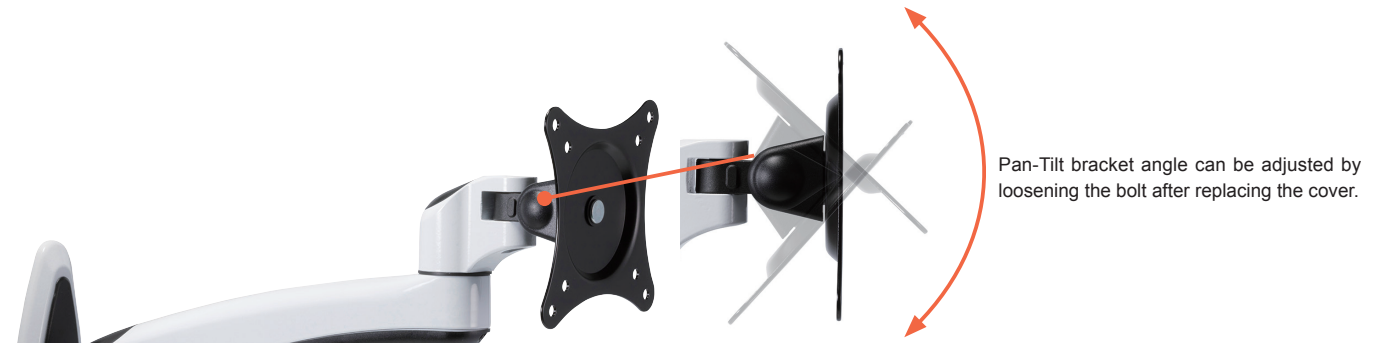


Max load : 6.5kg (including product weight, adjustable bolt firmly locked)

Material : Steel • Plastic • Aluminium diecast

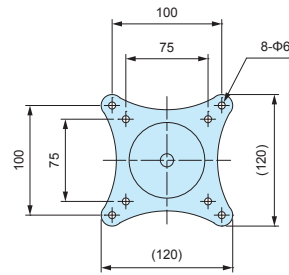
*Wall mounting screws included.

MAR-111W

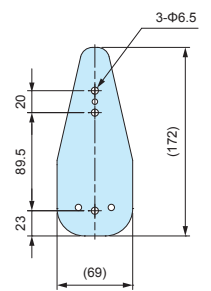


Max load : 8kg (including product weight)
 Material : Steel • Plastic • Aluminium diecast
 *Wall mounting screws included.

Pan-Tilt bracket dimensions



Wall mounting bracket dimensions

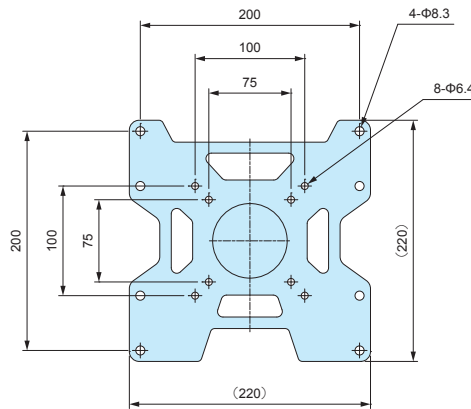


MAR-110W

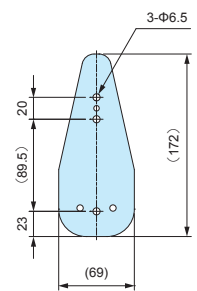


*Pan-Tilt bracket do not move up/down direction.

Pan-Tilt bracket dimensions



Wall mounting bracket dimensions



Max load : 8kg (including product weight)
 Material : Steel • Plastic • Aluminium diecast
 *Wall mounting screws included.

Product no. / Dimensions

Product no.	Arm full length	Arm color	Weight (kg)
MAR-312W	~ 612mm	Metallic gray	2.2
MAR-111W	~ 340mm	White / Black	1.0
MAR-110W	~ 130mm	White / Black	1.0