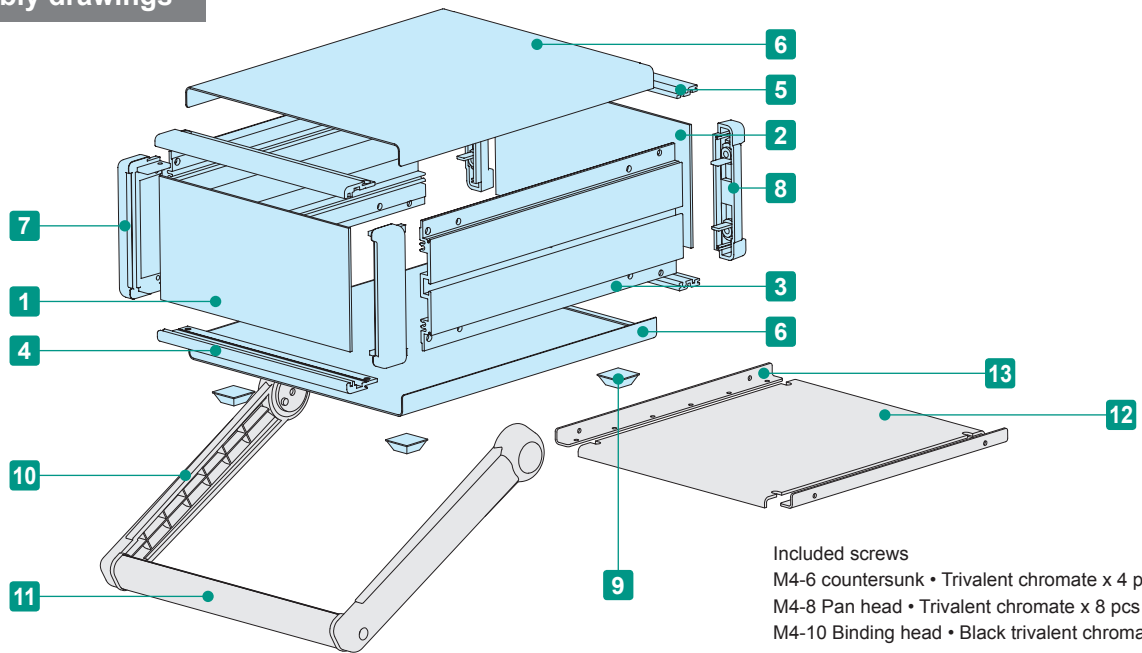


MON SERIES SYSTEM CASE with STAND HANDLE



- Available in 3 different colors and 176 different sizes.
- Stand handle can be shifted and locked at 30° intervals. Maximum load support of 25kg.
- Lightweight system case with stand handle. Suitable for use as measuring instruments, etc.

Assembly drawings

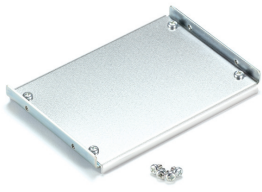


Components

No.	Part name	Pcs	Material	Color / Finish	
1	Front panel	1	Aluminium A1050P t=2.0	Silver • Black / Hairline brushed & Anodized	
2	Rear panel	1	Aluminium A1050P t=2.0	Silver • Black / Anodized	
3	Side frame	2	Extruded aluminium A6063S-T5	Gray • Black / Painted	
4	Front frame	2	Extruded aluminium A6063S-T5	Gray • Black / Painted	
5	Rear frame	2	Extruded aluminium A6063S-T5	Silver / Anodized	
6	Top • Bottom cover	1 each	Aluminium A1100P t=1.0	Light gray • Black / Painted	
7	Corner block	2	Diecast aluminium ADC12	Gray • Black / Painted	
8	Rear feet	2	ABS UL94V-0	Gray • Black	
9	Rubber feet	4	Polyurethane	Black	
10	Stand handle	Bracket	2	ABS UL94HB	Light gray • Black
11		Grip	1	Extruded aluminium A6063S-T5	Silver • Black

■ Note: Front / rear panels and top / bottom covers are covered with a protective film on one side. Remove before assembly.

Accessories (Optional parts)



12 Mounting plate MSC series
See page MSC • MSCL-1



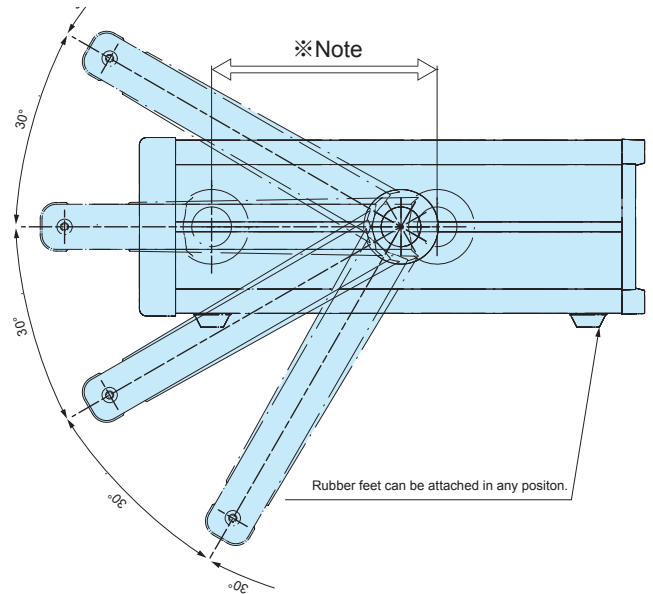
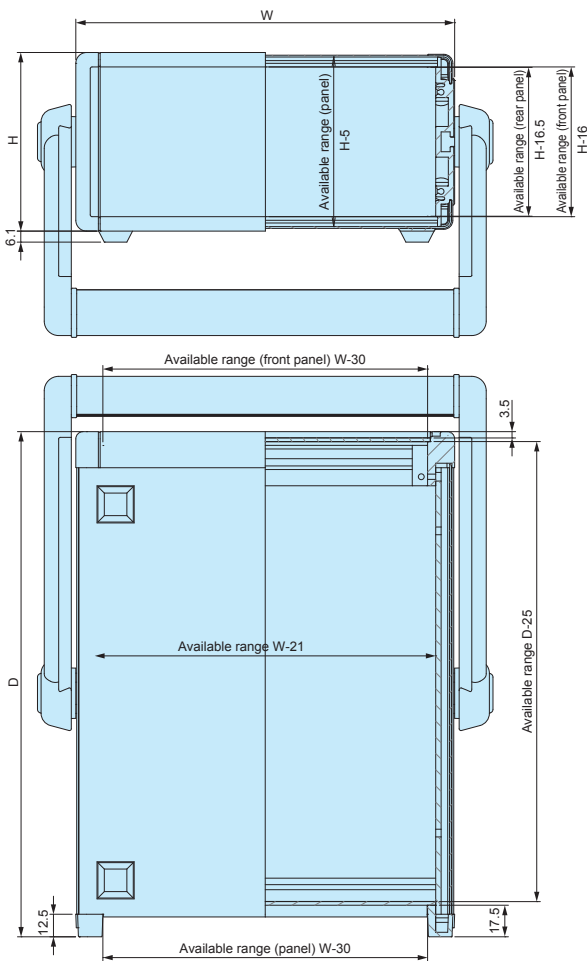
13 L-bracket MSCL series
See page MSC • MSCL-1



Cable hook CBF series
See page TL • CBF-1

MON dimensions

■ Drawings below are reference examples only.
DXF/DWG/PDF drawings available on our website.



※Note
Stand handle location can be freely affixed within denoted range.

Color Type

■ Please suffix color code at the end of the product number.



Panel	Silver
Top • Bottom cover	Light Gray
Side frame	Gray

Panel	Black
Top • Bottom cover	Black
Side frame	Black

Panel	Silver
Top • Bottom cover	Black
Side frame	Black

Product no. / Dimensions

Product no.	H	W	D	Weight (kg)
MON 66-16-16□	66	160	160	0.9
MON 66-16-23□	66	160	230	1.1
MON 66-16-28□	66	160	280	1.3
MON 66-21-16□	66	210	160	1.1
MON 66-21-23□	66	210	230	1.3
MON 66-21-28□	66	210	280	1.5
MON 66-21-35□	66	210	350	1.7
MON 66-26-23□	66	260	230	1.5
MON 66-26-28□	66	260	280	1.7
MON 66-26-35□	66	260	350	2.0
MON 66-32-23□	66	320	230	1.7
MON 66-32-28□	66	320	280	1.9
MON 66-32-35□	66	320	350	2.2
MON 66-32-45□	66	320	450	2.6
MON 66-37-23□	66	370	230	1.9
MON 66-37-28□	66	370	280	2.1
MON 66-37-35□	66	370	350	2.4
MON 66-37-45□	66	370	450	2.8
MON 66-43-23□	66	430	230	2.1
MON 66-43-28□	66	430	280	2.4
MON 66-43-35□	66	430	350	2.7
MON 66-43-45□	66	430	450	3.2
MON 88-16-16□	88	160	160	1.0
MON 88-16-23□	88	160	230	1.3
MON 88-16-28□	88	160	280	1.5
MON 88-21-16□	88	210	160	1.2
MON 88-21-23□	88	210	230	1.5
MON 88-21-28□	88	210	280	1.7
MON 88-21-35□	88	210	350	1.9
MON 88-26-23□	88	260	230	1.7
MON 88-26-28□	88	260	280	1.9
MON 88-26-35□	88	260	350	2.2
MON 88-32-23□	88	320	230	1.9
MON 88-32-28□	88	320	280	2.1
MON 88-32-35□	88	320	350	2.5
MON 88-32-45□	88	320	450	2.9
MON 88-37-23□	88	370	230	2.1
MON 88-37-28□	88	370	280	2.3
MON 88-37-35□	88	370	350	2.7
MON 88-37-45□	88	370	450	3.1
MON 88-43-23□	88	430	230	2.3
MON 88-43-28□	88	430	280	2.6
MON 88-43-35□	88	430	350	3.0
MON 88-43-45□	88	430	450	3.5

Product no.	H	W	D	Weight (kg)
MON 99-16-16□	99	160	160	1.1
MON 99-16-23□	99	160	230	1.3
MON 99-16-28□	99	160	280	1.5
MON 99-21-16□	99	210	160	1.3
MON 99-21-23□	99	210	230	1.5
MON 99-21-28□	99	210	280	1.7
MON 99-21-35□	99	210	350	2.0
MON 99-26-23□	99	260	230	1.7
MON 99-26-28□	99	260	280	2.0
MON 99-26-35□	99	260	350	2.3
MON 99-32-23□	99	320	230	2.0
MON 99-32-28□	99	320	280	2.2
MON 99-32-35□	99	320	350	2.6
MON 99-32-45□	99	320	450	3.0
MON 99-37-23□	99	370	230	2.1
MON 99-37-28□	99	370	280	2.4
MON 99-37-35□	99	370	350	2.8
MON 99-37-45□	99	370	450	3.2
MON 99-43-23□	99	430	230	2.4
MON 99-43-28□	99	430	280	2.7
MON 99-43-35□	99	430	350	3.1
MON 99-43-45□	99	430	450	3.7
MON133-16-16□	132.5	160	160	1.3
MON133-16-23□	132.5	160	230	1.6
MON133-16-28□	132.5	160	280	1.8
MON133-21-16□	132.5	210	160	1.5
MON133-21-23□	132.5	210	230	1.8
MON133-21-28□	132.5	210	280	2.0
MON133-21-35□	132.5	210	350	2.3
MON133-26-23□	132.5	260	230	2.0
MON133-26-28□	132.5	260	280	2.3
MON133-26-35□	132.5	260	350	2.6
MON133-32-23□	132.5	320	230	2.3
MON133-32-28□	132.5	320	280	2.5
MON133-32-35□	132.5	320	350	2.9
MON133-32-45□	132.5	320	450	3.4
MON133-37-23□	132.5	370	230	2.5
MON133-37-28□	132.5	370	280	2.8
MON133-37-35□	132.5	370	350	3.2
MON133-37-45□	132.5	370	450	3.6
MON133-43-23□	132.5	430	230	2.7
MON133-43-28□	132.5	430	280	3.0
MON133-43-35□	132.5	430	350	3.5
MON133-43-45□	132.5	430	450	4.1

Product no. / Dimensions

Product no.	H	W	D	Weight (kg)
MON149-16-16□	149	160	160	1.3
MON149-16-23□	149	160	230	1.7
MON149-16-28□	149	160	280	1.9
MON149-21-16□	149	210	160	1.5
MON149-21-23□	149	210	230	1.9
MON149-21-28□	149	210	280	2.1
MON149-21-35□	149	210	350	2.4
MON149-26-23□	149	260	230	2.1
MON149-26-28□	149	260	280	2.4
MON149-26-35□	149	260	350	2.7
MON149-32-23□	149	320	230	2.4
MON149-32-28□	149	320	280	2.7
MON149-32-35□	149	320	350	3.1
MON149-32-45□	149	320	450	3.6
MON149-37-23□	149	370	230	2.6
MON149-37-28□	149	370	280	2.9
MON149-37-35□	149	370	350	3.3
MON149-37-45□	149	370	450	3.9
MON149-43-23□	149	430	230	2.9
MON149-43-28□	149	430	280	3.2
MON149-43-35□	149	430	350	3.6
MON149-43-45□	149	430	450	4.3
MON177-16-16□	177	160	160	1.6
MON177-16-23□	177	160	230	2.1
MON177-16-28□	177	160	280	2.3
MON177-21-16□	177	210	160	1.8
MON177-21-23□	177	210	230	2.3
MON177-21-28□	177	210	280	2.6
MON177-21-35□	177	210	350	3.0
MON177-26-23□	177	260	230	2.6
MON177-26-28□	177	260	280	2.9
MON177-26-35□	177	260	350	3.3
MON177-32-23□	177	320	230	2.8
MON177-32-28□	177	320	280	3.2
MON177-32-35□	177	320	350	3.7
MON177-32-45□	177	320	450	4.3
MON177-37-23□	177	370	230	3.1
MON177-37-28□	177	370	280	3.4
MON177-37-35□	177	370	350	3.9
MON177-37-45□	177	370	450	4.6
MON177-43-23□	177	430	230	3.4
MON177-43-28□	177	430	280	3.7
MON177-43-35□	177	430	350	4.3
MON177-43-45□	177	430	450	5.0

Product no.	H	W	D	Weight (kg)
MON199-16-16□	199	160	160	1.8
MON199-16-23□	199	160	230	2.2
MON199-16-28□	199	160	280	2.5
MON199-21-16□	199	210	160	2.0
MON199-21-23□	199	210	230	2.4
MON199-21-28□	199	210	280	2.7
MON199-21-35□	199	210	350	3.1
MON199-26-23□	199	260	230	2.7
MON199-26-28□	199	260	280	3.0
MON199-26-35□	199	260	350	3.4
MON199-32-23□	199	320	230	3.0
MON199-32-28□	199	320	280	3.3
MON199-32-35□	199	320	350	3.8
MON199-32-45□	199	320	450	4.5
MON199-37-23□	199	370	230	3.2
MON199-37-28□	199	370	280	3.6
MON199-37-35□	199	370	350	4.1
MON199-37-45□	199	370	450	4.7
MON199-43-23□	199	430	230	3.5
MON199-43-28□	199	430	280	3.9
MON199-43-35□	199	430	350	4.4
MON199-43-45□	199	430	450	5.2
MON222-16-16□	221.5	160	160	1.9
MON222-16-23□	221.5	160	230	2.3
MON222-16-28□	221.5	160	280	2.6
MON222-21-16□	221.5	210	160	2.1
MON222-21-23□	221.5	210	230	2.6
MON222-21-28□	221.5	210	280	2.9
MON222-21-35□	221.5	210	350	3.3
MON222-26-23□	221.5	260	230	2.9
MON222-26-28□	221.5	260	280	3.1
MON222-26-35□	221.5	260	350	3.6
MON222-32-23□	221.5	320	230	3.1
MON222-32-28□	221.5	320	280	3.5
MON222-32-35□	221.5	320	350	4.0
MON222-32-45□	221.5	320	450	4.8
MON222-37-23□	221.5	370	230	3.4
MON222-37-28□	221.5	370	280	3.8
MON222-37-35□	221.5	370	350	4.3
MON222-37-45□	221.5	370	450	5.0
MON222-43-23□	221.5	430	230	3.7
MON222-43-28□	221.5	430	280	4.1
MON222-43-35□	221.5	430	350	4.7
MON222-43-45□	221.5	430	450	5.5

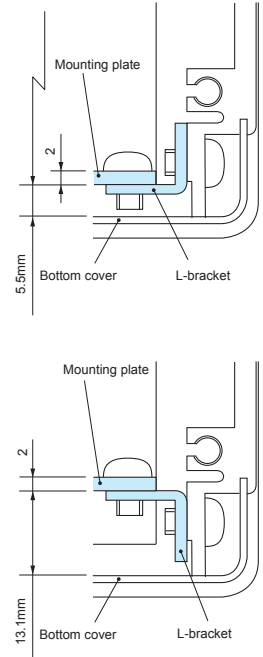
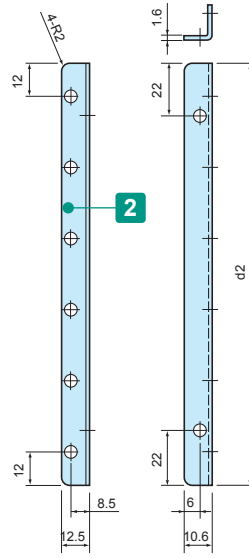
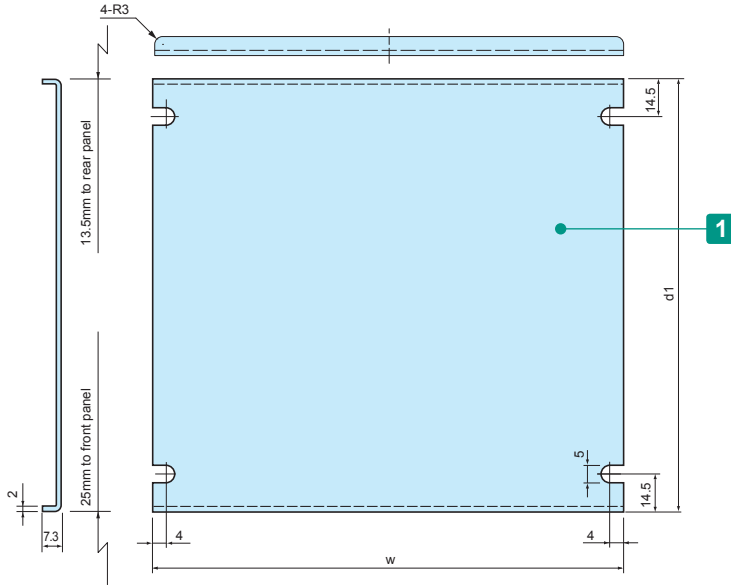
MSC SERIES

MOUNTING PLATE for MS • MSN • MSY • MSR • MO • MON • MOY • MOR

■ DXF/DWG/PDF drawings available on our website.

■ 1 set = Mounting plate + L-bracket

Mounting example



Components

No.	Part name	Pcs	Material	Color / Finish
1	Mounting plate	1	Aluminium A1050P t=2.0	Unfinished
2	L-bracket	2	Steel SPCC	Trivalent chromate

Included screws: M4-6 pan head, trivalent chromate x8

Product no. / Dimensions

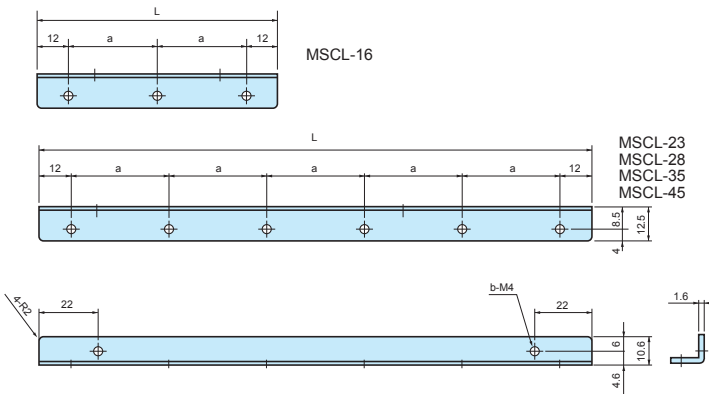
Product no.	w	d1	d2	Enclosure WxD	Weight (g)
MSC16-16	130	96.5	91.5	160 × 160	120
MSC16-23	130	166.5	161.5	160 × 230	210
MSC16-28	130	216.5	211.5	160 × 280	270
MSC21-16	180	96.5	91.5	210 × 160	150
MSC21-23	180	166.5	161.5	210 × 230	250
MSC21-28	180	216.5	211.5	210 × 280	330
MSC21-35	180	286.5	281.5	210 × 350	430
MSC26-23	230	166.5	161.5	260 × 230	300
MSC26-28	230	216.5	211.5	260 × 280	390
MSC26-35	230	286.5	281.5	260 × 350	510
MSC32-23	290	166.5	161.5	320 × 230	360

Product no.	w	d1	d2	Enclosure WxD	Weight (g)
MSC32-28	290	216.5	211.5	320 × 280	460
MSC32-35	290	286.5	281.5	320 × 350	600
MSC32-45	290	386.5	381.5	320 × 450	810
MSC37-23	340	166.5	161.5	370 × 230	410
MSC37-28	340	216.5	211.5	370 × 280	520
MSC37-35	340	286.5	281.5	370 × 350	680
MSC37-45	340	386.5	381.5	370 × 450	910
MSC43-23	400	166.5	161.5	430 × 230	460
MSC43-28	400	216.5	211.5	430 × 280	590
MSC43-35	400	286.5	281.5	430 × 350	770
MSC43-45	400	386.5	381.5	430 × 450	1,040

MSCL SERIES

L-BRACKET for MS • MSN • MSY • MSR • MO • MON • MOY • MOR

- Use with your original mounting plate or PCB.
- 1 pair of L-bracket are included with each MSC mounting plate.



Components

Part name	Material	Color / Finish
L-bracket	Steel SPCC	Trivalent chromate

Product no. / Dimensions

Product no.	L	a	b	Sales unit
MSCL-16	91.5	33.75	5	1 set (2 pcs)
MSCL-23	161.5	27.5	8	1 set (2 pcs)
MSCL-28	211.5	37.5	8	1 set (2 pcs)
MSCL-35	281.5	51.5	8	1 set (2 pcs)
MSCL-45	381.5	71.5	8	1 set (2 pcs)

MSM SERIES

RACK MOUNT BRACKET

Components

Material	Color / Finish
Extruded aluminium A6063S-T5	Gray • Black / Painted

Included screws : M5-10 Flat head x 4 pcs / Black trivalent chromate + Nut x 4 pcs

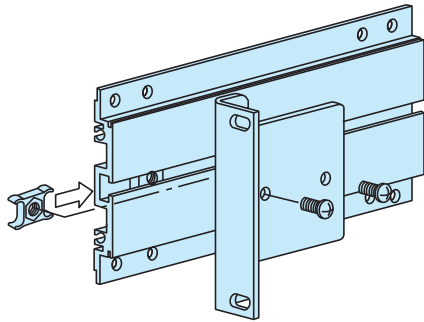
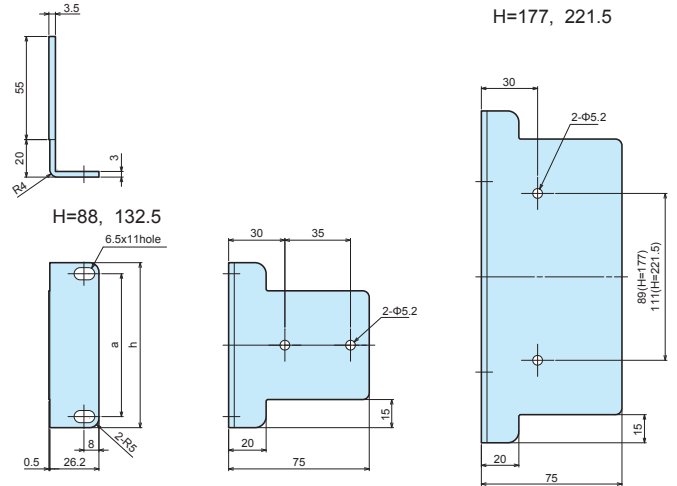
Color Type

Color code	Material	Color / Finish
G	Extruded aluminium A6063S-T5	Gray / Painted
B	Extruded aluminium A6063S-T5	Black / Painted

Product no. / Dimensions

Product no.	h (Enclosure H)	a	Pack of
MSM- 88□	88	76.2	2
MSM-133□	132.5	57.1	2
MSM-177□	177	101.6	2
MSM-222□	221.5	146	2

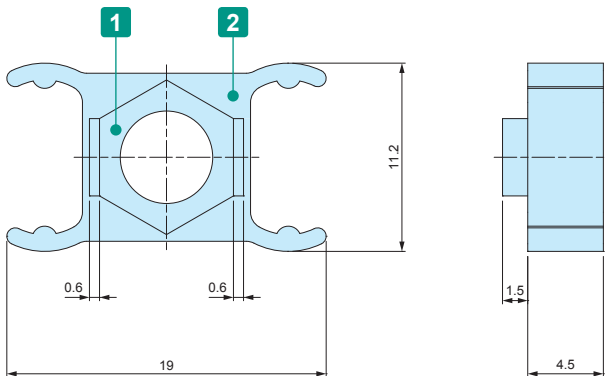
■ Please suffix color code at the end of the product number.



MZ SERIES

SIDE FRAME NUT

■ Side frame nut for MS • MSN • MSY • MSR • MO • MON • MOY • MOR series.



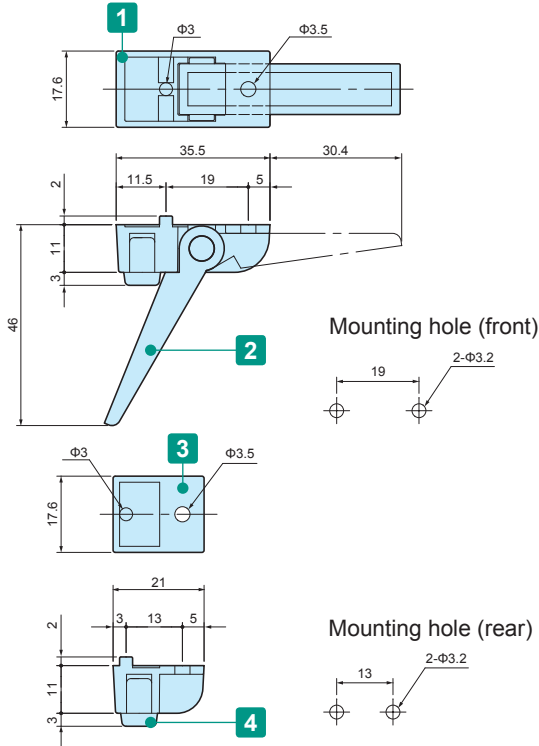
Components

No.	Part name	Material	Color / Finish
1	Nut	Brass • Steel	Nickel plated
2	Holder	Polyethylene	Black

Product no. / Feature

Product no.	Screw size	Nut material	Pack of
MZ-4	M4	Brass	10
MZ-5	M5	Steel	10

TL SERIES TILT LEG



Components

* Maximum load = 7 kg

No.	Part name	Pcs	Material	Color / Finish
1	Front feet	2	ABS UL94HB	Black • Gray • Light gray
2	Leg	2	ABS UL94HB	Black • Gray • Light gray
3	Rear feet	2	ABS UL94HB	Black • Gray • Light gray
4	Rubber feet	4	EPDM	Gray • Black
-	Screw	4	Steel	Black trivalent chromate

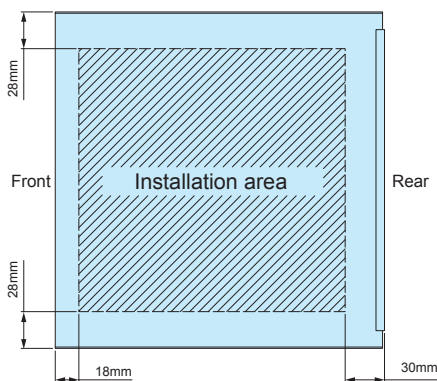
■ Included screws: M3-8 and M3 nut (with washer) set.

Product no. / Dimensions

Product no.	Color (body)	Color (rubber feet)	Sales unit
● TL-45BB	Black	Black	1 set
● TL-45GG	Gray	Gray	1 set
● TL-45SG	Light gray	Gray	1 set

■ EPDM (black) may have its color migrate onto the placement surface.

MS SERIES INSTALLATION AREA



CBF SERIES CABLE HOOK



- Used for wrapping and securing cords and wires.
- Can be used with a variety of different enclosure series and models.
- Requires a panel thickness of between 1.0 ~ 3.0mm.

Product no. / Dimensions

Product no.		Material	Pack of
● Gray	● Black		
CBF-1G	CBF-1B	POM	4

■ Included screws: M3-8 trivalent chromate (with washer) x 4 pcs



APPLICATION EXAMPLE

