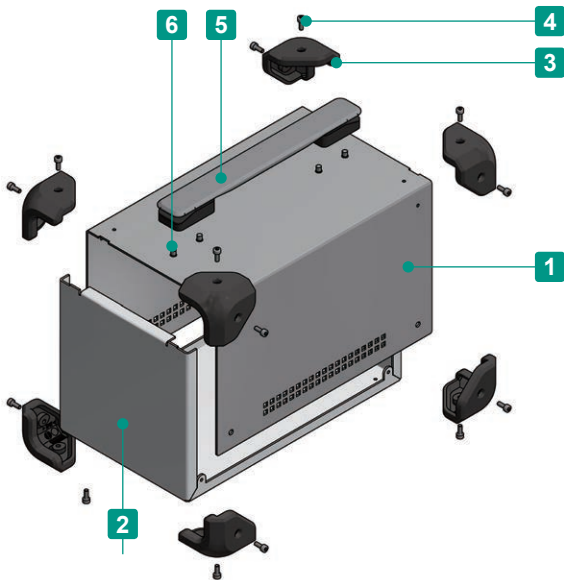
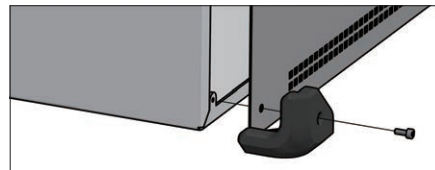




- Aluminium case equipped with shockproof and anti-slip elastomer corner guards.
- Suitable to be used as a fanless PC, power supply, power storage device etc.  
Carrying handle can withstand a maximum load up to 30.0 kg.
- Corner guards are available in 4 different color variations.
- Custom sizes available.



- Aluminium case and corner guard with screw fastening.











Included screws  
 Case / Corner guard - M4-8 Hexagonal : Steel : Black trivalent chromate x 16 or 18 pcs  
 Carrying handle - M5-8 : Steel : Trivalent chromate x 4 pcs  
 ※Hexagonal wrenches included.

**Components**

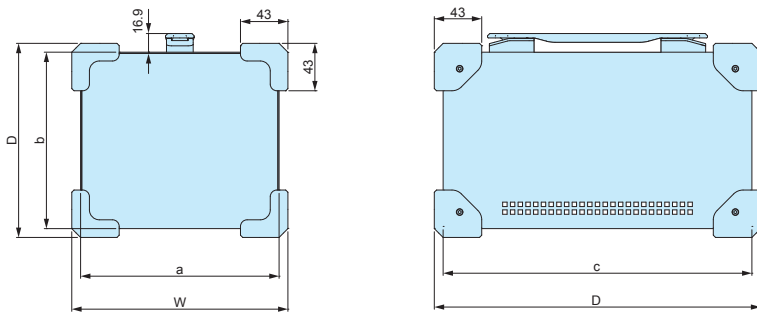
No.	Part name	Pcs	Material	Color / Finish
1	Top cover	1	Steel SECC t=10	Black / Painted
			Aluminium A1100P t=1.5	Metallic silver / Painted : Conductive inside
2	Base	1	Aluminium A1050P t=1.5	Black / Painted
			Aluminium A1100P t=1.5	Metallic silver / Painted : Conductive inside
3	Corner guard	8	TPE	Black • Gray • Navy • Red
4	Case / Corner guard screw	16 / 18	Steel	Black trivalent chromate
5	Carrying handle	1	PU • PA6 • ABS • Steel	Black • Gray
6	Carrying handle screw	4	Steel	Trivalent chromate

Color Type

Code	B B B	B G B	B N B	B R B
Color				
Code	S B B Conductive	S G G Conductive	S N G Conductive	S R G Conductive
Color				

UCG dimensions

■ Drawings below are reference examples only.  
DXF/DWG/PDF drawings available on our website.



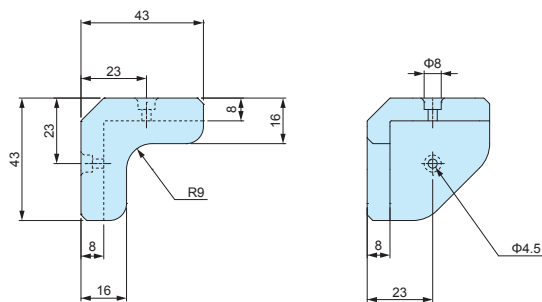
Product no. / Dimensions

■ Please suffix color code at the end of the product number.

Product no.	W	H	D	a	b	c	Weight (kg)	
							B □ □ models	S □ □ models
<b>NEW</b> MCG14-14-23 □ □ □	156	156	246	140	140	230	1.2	0.9
<b>NEW</b> MCG18-16-28 □ □ □	196	176	296	180	160	280	1.8	1.3
<b>NEW</b> MCG21-14-24 □ □ □	226	156	256	210	140	240	1.6	1.2
<b>NEW</b> MCG26-18-30 □ □ □	276	196	316	260	180	300	2.3	1.6

Accessories (Optional parts)

MG-1 CORNER GUARD



- Corner guard part for MCG case.
- Corner guard can be installed on other enclosures than MCG series.
- M4 thread holes are required for installation.
- Available in 4 different color variations.

Components

No.	Part name	Material
1	Corner guard	TPE
2	Screw (M4-8 Hexagonal)	Steel

Product no. / Details

Product no.				Weight (g)	Pack of
● Black	● Gray	● Navy	● Red		
<b>NEW</b> MG-1B	<b>NEW</b> MG-1G	<b>NEW</b> MG-1N	<b>NEW</b> MG-1R	124	8

Included screw : M4-8 Hexagonal : Steel : Black trivalent chromate x 18 pcs + Hexagonal wrench