

LCT·LCS·LC·LCE HAND-HELD PLASTIC CASE

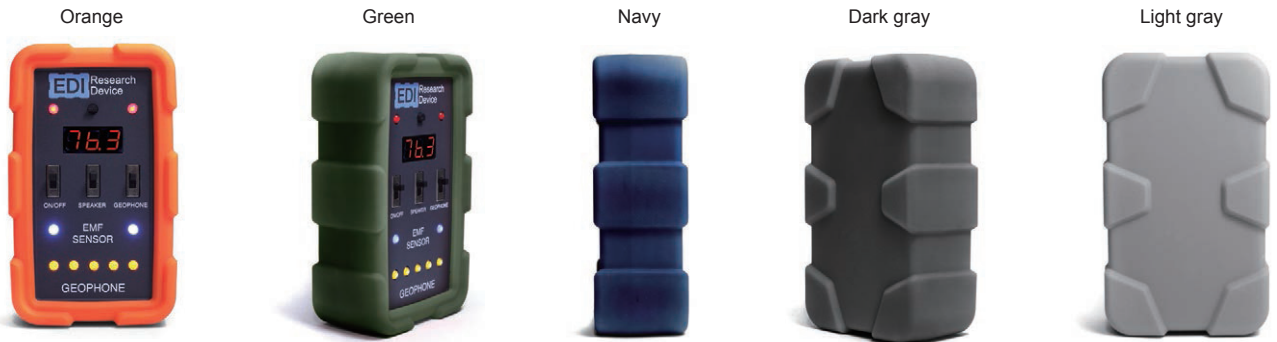
Hand-held case suitable for industrial measuring equipments, wireless communication devices and medical equipments.

8 different sizes and 9 different battery compartment types are available for LC plastic case.

LCS series comes with 7 silicone cover colors for selection.

LCT series is selectable in 5 different rugged shock-proof silicone cover colors.

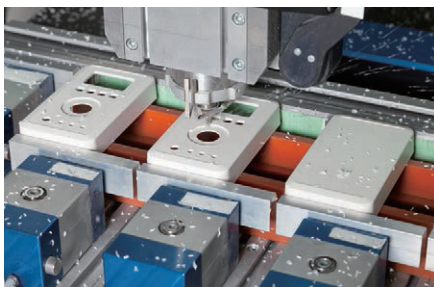
LCT Plastic case with shock-proof silicone cover



LCS Plastic case with silicone cover



CUSTOMIZATION



APPLICATION EXAMPLE

METAL COATING THICKNESS GAUGE

Product by NOVOTEST (Ukraine)



SOLAR PANEL TROUBLE CHECKER

Product by ITES (Japan)



SOLAR CELL DISCONNECTION CHECKER

Product by Shinei Electronic Measuring (Japan)



DIGITAL PRESSURE GAUGE SETTER

Product by NAGANO KEIKI (Japan)



EMF DETECTOR

Product by CenTex Paranormal (USA)



DISTRIBUTION TRANSFORMER TESTER

Product by ndb Technologies (Canada)



NETWORK PARTIAL DISCHARGE CHECKER

Product by ndb Technologies (Canada)



RADIATION SURVEY METER

Product by HISAKI Sekkei (Japan)



MINI RADIATION SURVEY METER

Product by Techno AP (Japan)



WIRELESS VOLTAGE PROBE

Product by Enertronics (Switzerland)



PORTABLE ANEMOMETER

Product by FieldPro (Japan)



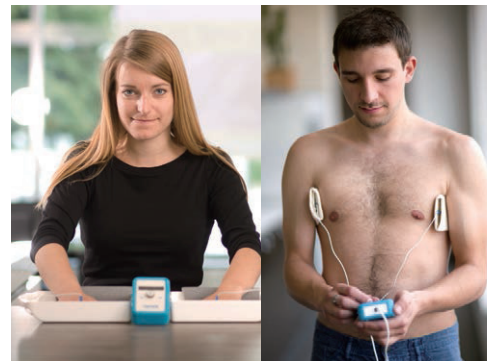
ULTRASONIC THICKNESS GAUGE

Product by DEMAQ (Argentina)



HYPERHIDROSIS TREATMENT DEVICE

Product by Merebit (Czech Republic)



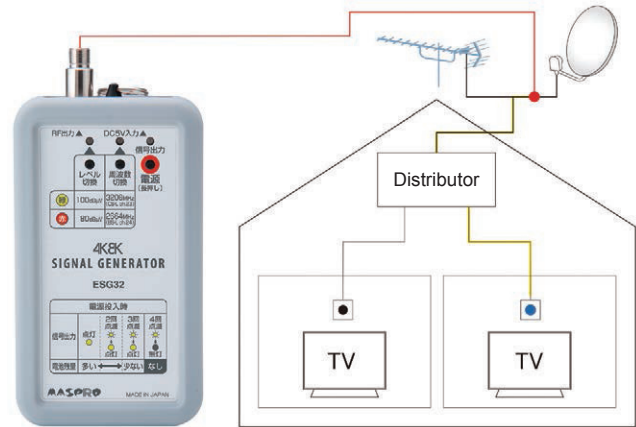
RF SCOPE

Product by Arrow7 Corporation (Japan)



SATELLITE BROADCASTING SIGNAL GENERATOR

Product by MASPRO (Japan)



ONBOARD PROGRAMMER

Product by Hokuto Electronic (Japan)



CODE DEBUGGER

Product by BITRAN (Japan)





EMC Shielding Effects



Technical Data	
Protection class:	IP40
Operating temperature:	-10°C ~ +60°C

- LCE series is an EMC shielded version of LC hand-held plastic case coated internally with DOTITE conductive paint (acrylic paint mixed with nickel filler).
- Designed with beveled edges and rounded corners, and manufactured from flame-resistant ABS UL94V-0 material.
- Recommended to be used as measurement instruments, testing devices, wireless communication gadgets, medical equipment, and so on.

Components

No.	Part name	Pcs	Material	Color / Finish	Conductive paint
1	Top cover	1	ABS UL94V-0	Dark gray	DOTITE
2	Bottom cover	1	ABS UL94V-0	Dark gray	DOTITE
3	Panel	1	ABS UL94V-0	Dark gray	DOTITE
4	Self-tapping screw	4	Steel M2.6	Black trivalent chromate	—

Accessories (Optional parts)



Silicone cover LCTP • LCSC series
See page LCTP-1 ~ LCSC-1



Tapping standoff TPS series
See page TPS • MT-1



PCB mounting screw EM-2.3
See page EM • MR-1



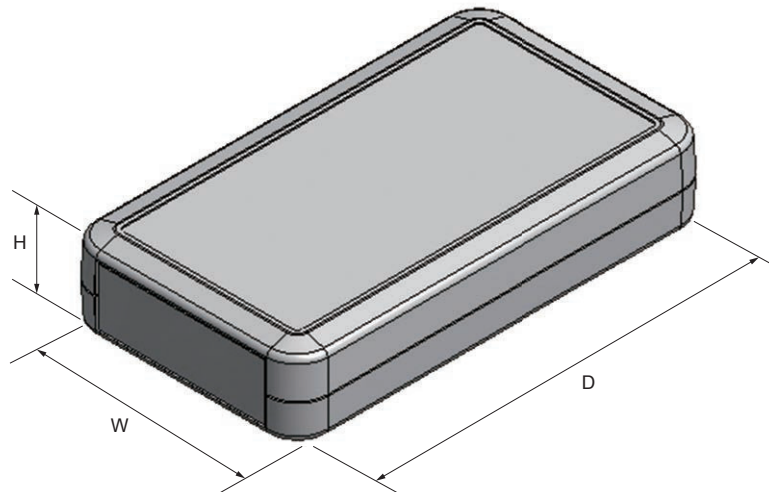
TORX screw MR series
See page EM • MR-1



Suspension bracket WM series
See page WM-1

■ Drawings below are reference examples only.
DXF/DWG/PDF drawings available on our website.

■ Refer to page LCT · LCS · LC · LCE-5 ~ LCT · LCS · LC · LCE-8 for detailed internal enclosure dimensions.



Product no. / Dimensions

	Product no.	W	H	D	Included screws	Weight (g)
NEW	LCE115 -N -D	69	19.5	115	Countersunk M2.6-14 x 4 pcs	72.5
NEW	LCE115H -N -D	69	28	115	Countersunk M2.6-18 x 4 pcs	84
NEW	LCE135 -N -D	76	27	135	Countersunk M2.6-18 x 4 pcs	97
NEW	LCE145H -N -D	96	35	145	Countersunk M2.6-18 x 4 pcs	137
NEW	LCE165H -N -D	80	35	165	Countersunk M2.6-18 x 4 pcs	139

CONDUCTIVE PAINT CUSTOMIZATION AVAILABLE for LC series.

The LCE series are a selected few models of the LC series, customized with conductive paint.
Other LC series enclosures not listed can also be customized with conductive paint.

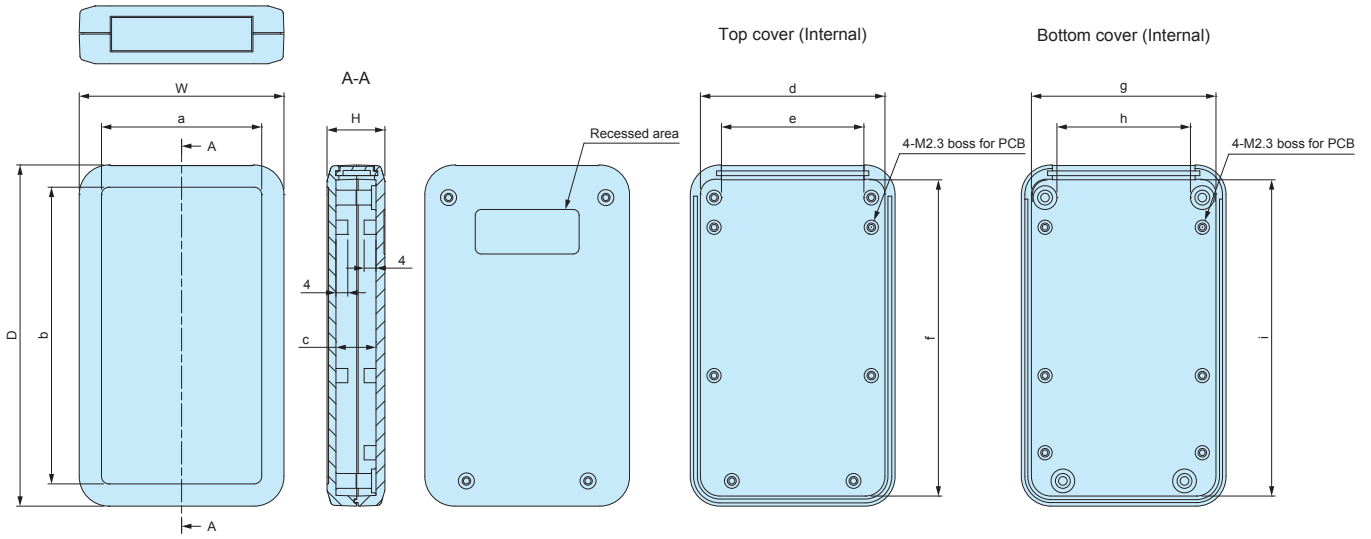
Contact us for more details.
E-mail : sales@takachi-el.co.jp



LCT • LCS (Case only) / LC • LCE Dimensions

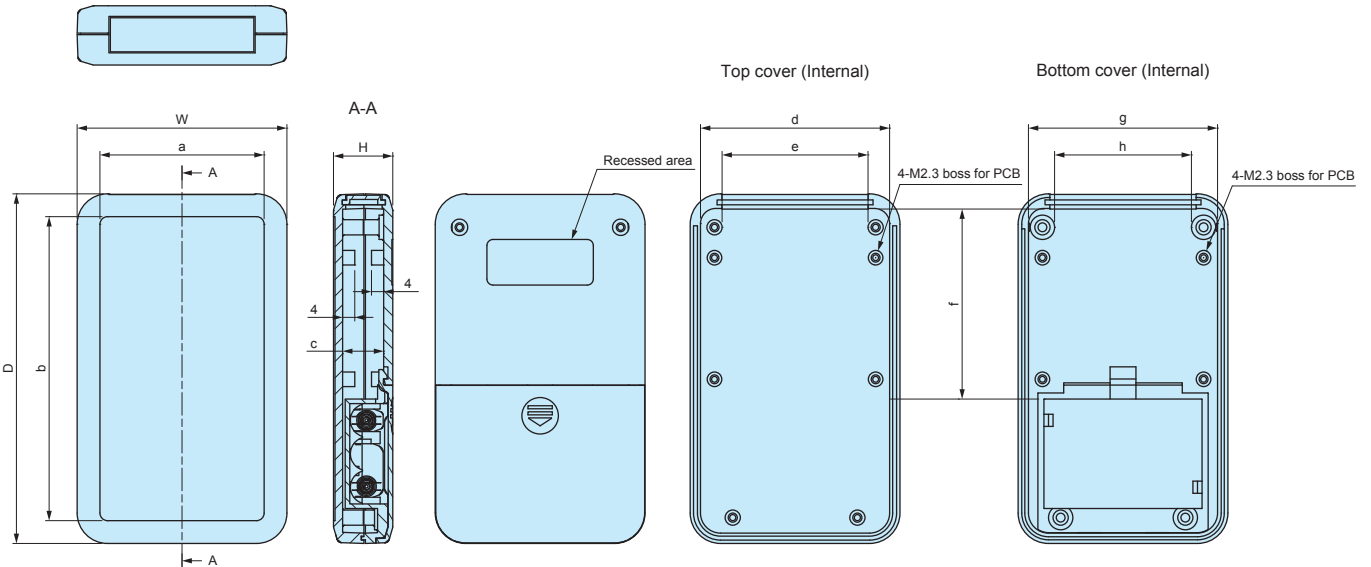
■ Drawings below are reference examples only.
DXF/DWG/PDF drawings available on our website.

LC / LCE / LCS / LCT115-N
LC / LCE / LCS / LCT115H-N



Product no.	W	H	D	a	b	c	d	e	f	g	h	i
LC • LCE • LCS • LCT115 -N	69	19.5	115	54	100	13.5	61.5	47	106.1	61.6	44	106.1
LC • LCE • LCS • LCT115H-N	69	28	115	54	100	22	60.9	47	105.5	61.5	44	106.1

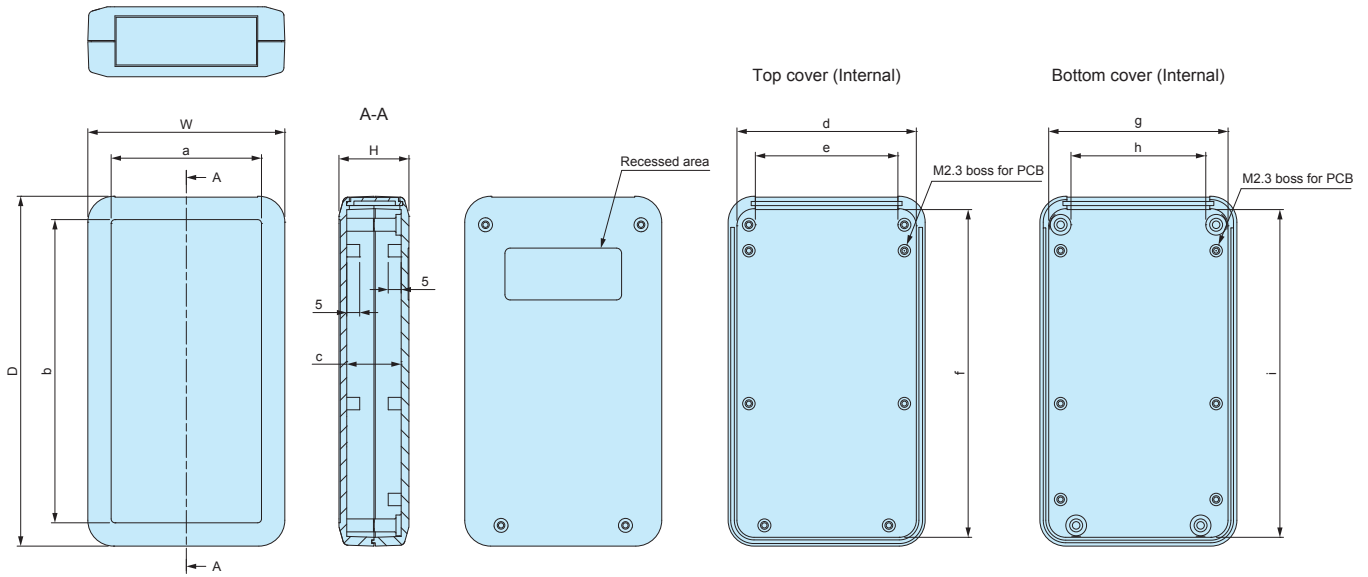
LC / LCS / LCT115-F2 • LC / LCS / LCT115H-F2
LC / LCS / LCT115-F3 • LC / LCS / LCT115H-F3
LC / LCS / LCT115H-M2 • LC / LCS / LCT115H-9V



Product no.	W	H	D	a	b	c	d	e	f	g	h
LC • LCS • LCT115 -F2	69	19.5	115	54	100	13.5	61.5	47	73.3	61.6	44
LC • LCS • LCT115 -F3	69	19.5	115	54	100	13.5	61.5	47	62.3	61.6	44
LC • LCS • LCT115H-F2	69	28	115	54	100	22	60.9	47	73.3	61.6	44
LC • LCS • LCT115H-F3	69	28	115	54	100	22	60.9	47	62.3	61.6	44
LC • LCS • LCT115H-M2	69	28	115	54	100	22	60.9	47	65.1	61.6	44
LC • LCS • LCT115H-9V	69	28	115	54	100	22	60.9	47	66	61.6	44

LC / LCE / LCS / LCT135-N
LC / LCS / LCT135H-N

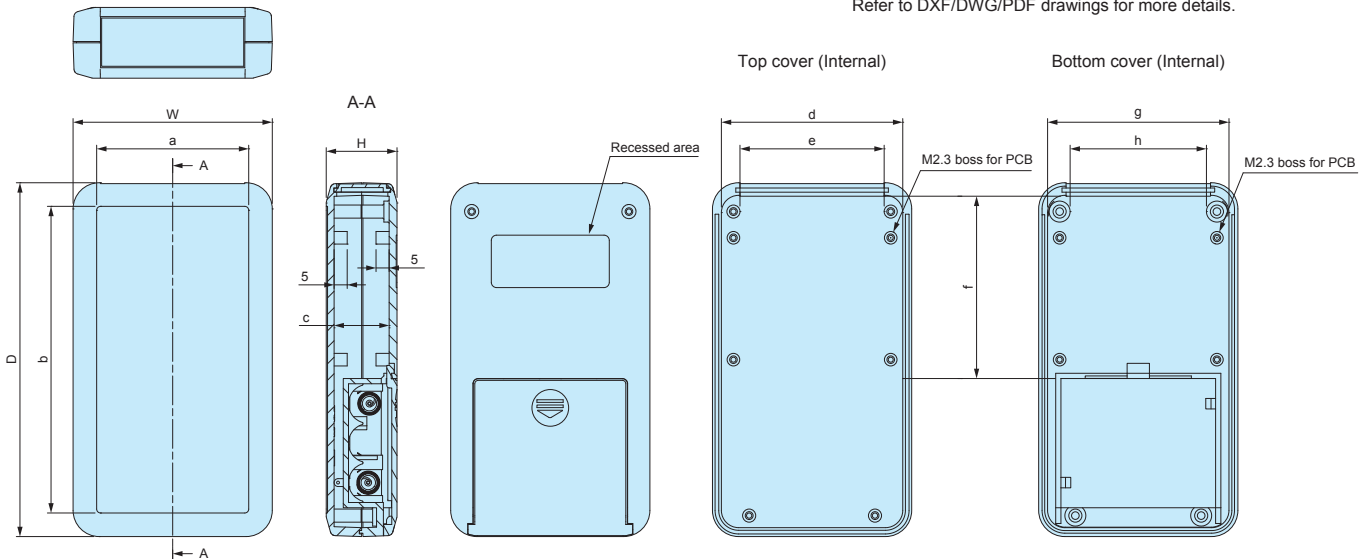
※ Number of PCB bosses vary by model.
Refer to DXF/DWG/PDF drawings for more details.



Product no.	W	H	D	a	b	c	d	e	f	g	h	i
LC • LCE • LCS • LCT135-N	76	27	135	58	117	21	68.2	55	125.8	68.3	51	125.9
LC • LCS • LCT135H-N	76	35	135	58	117	29	67.7	54	125.3	68.3	51	125.9

LC / LCS / LCT135-F4 • LC / LCS / LCT135H-F4 • LC / LCS / LCT135-M2 • LC / LCS / LCT135H-M2
LC / LCS / LCT135-M3 • LC / LCS / LCT135H-M3 • LC / LCS / LCT135-9V • LC / LCS / LCT135H-9V

※ Number of PCB bosses vary by model.
Refer to DXF/DWG/PDF drawings for more details.

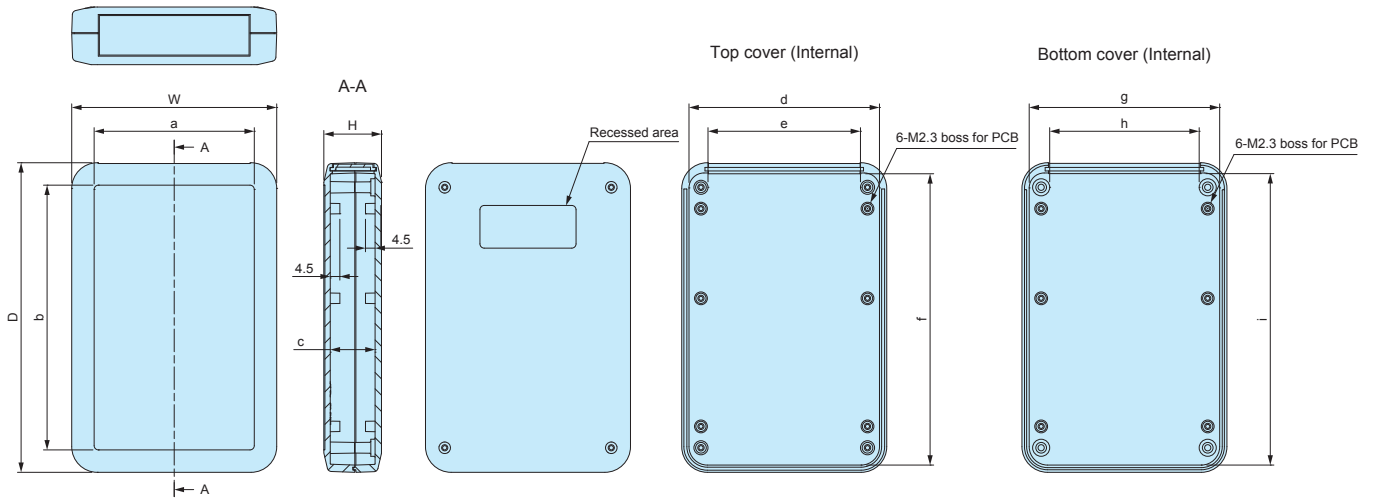


Product no.	W	H	D	a	b	c	d	e	f	g	h
LC • LCS • LCT135 -F4	76	27	135	58	117	21	68.2	55	69.4	68.3	51
LC • LCS • LCT135 -M2	76	27	135	58	117	21	68.2	55	84.5	68.3	51
LC • LCS • LCT135 -M3	76	27	135	58	117	21	68.2	55	69.4	68.3	51
LC • LCS • LCT135 -9V	76	27	135	58	117	21	68.2	55	84.5	68.3	51
LC • LCS • LCT135H-F4	76	35	135	58	117	29	67.7	54	69.4	68.3	51
LC • LCS • LCT135H-M2	76	35	135	58	117	29	67.7	54	84.5	68.3	51
LC • LCS • LCT135H-M3	76	35	135	58	117	29	67.7	54	69.4	68.3	51
LC • LCS • LCT135H-9V	76	35	135	58	117	29	67.7	54	84.5	68.3	51

LCT • LCS (Case only) / LC • LCE Dimensions

■ Drawings below are reference examples only.
DXF/DWG/PDF drawings available on our website.

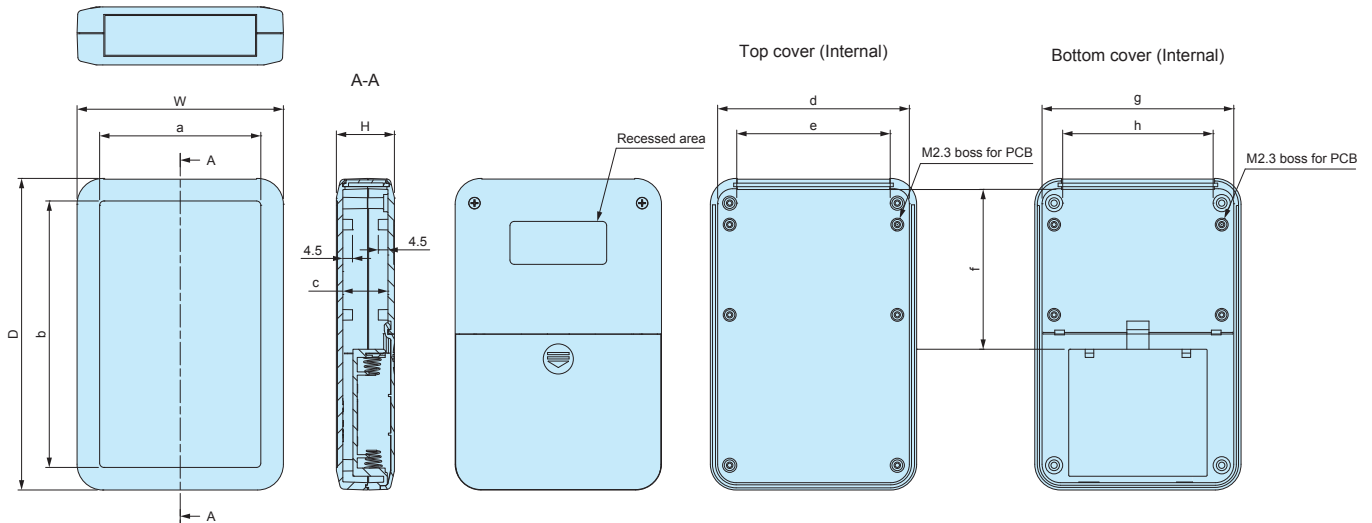
LC / LCS / LCT145S-N
LC / LCS / LCT145-N
LC / LCE / LCS / LCT145H-N



Product no.	W	H	D	a	b	c	d	e	f	g	h	i
LC • LCS • LCT145S-N	96	20	145	75	124	14	88.3	71.4	135.9	87.9	68.9	135.5
LC • LCS • LCT145 -N	96	27	145	75	124	21	87.8	71.4	135.4	87.9	68.9	135.5
LC • LCE • LCS • LCT145H-N	96	35	145	75	124	29	87.2	71	134.8	87.9	68.9	135.5

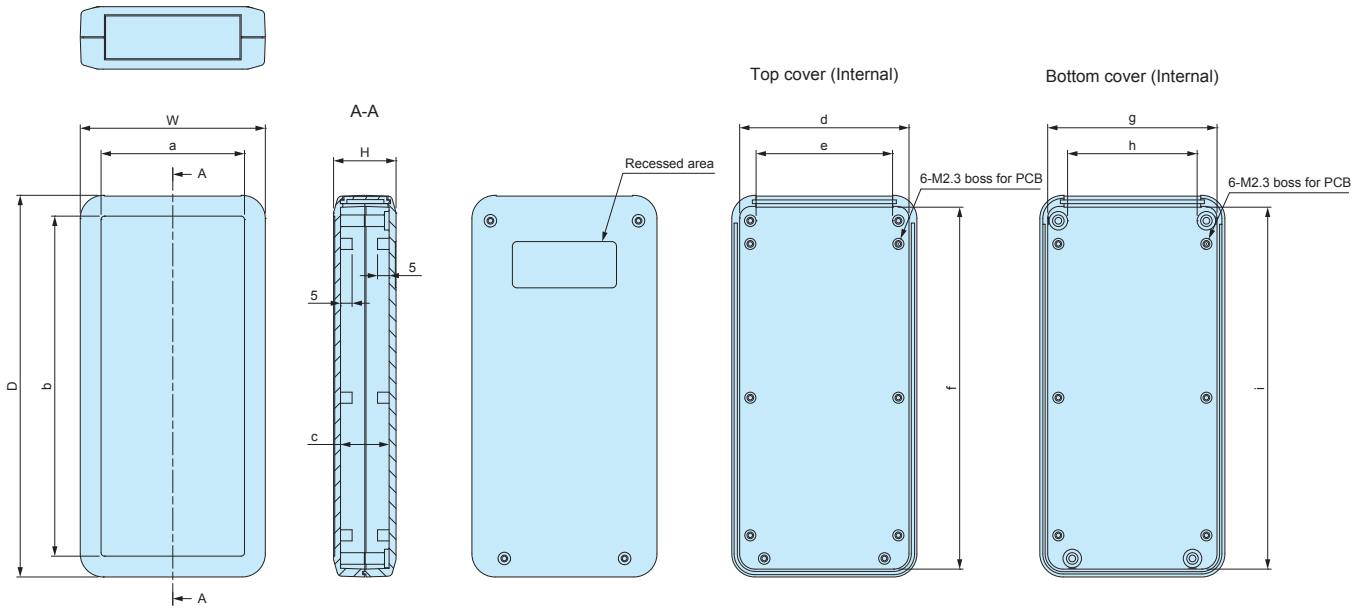
LC / LCS / LCT145S-F6 • LC / LCS / LCT145-F6 • LC / LCS / LCT145H-F6
LC / LCS / LCT145-M2 • LC / LCS / LCT145H-M2
LC / LCS / LCT145-M4 • LC / LCS / LCT145H-M4

※ Number of PCB bosses vary by model.
Refer to DXF/DWG/PDF drawings for more details.



Product no.	W	H	D	a	b	c	d	e	f	g	h
LC • LCS • LCT145S -F6	96	20	145	75	124	14	88.3	71.4	78.4	87.9	68.9
LC • LCS • LCT145 -F6	96	27	145	75	124	21	87.8	71.4	78.4	87.9	68.9
LC • LCS • LCT145 -M2	96	27	145	75	124	21	87.8	71.4	97.4	87.9	68.9
LC • LCS • LCT145 -M4	96	27	145	75	124	21	87.8	71.4	74	87.9	68.9
LC • LCS • LCT145H -F6	96	35	145	75	124	29	87.2	71	78.4	87.9	68.9
LC • LCS • LCT145H-M2	96	35	145	75	124	29	87.2	71	97.4	87.9	68.9
LC • LCS • LCT145H-M4	96	35	145	75	124	29	87.2	71	74	87.9	68.9

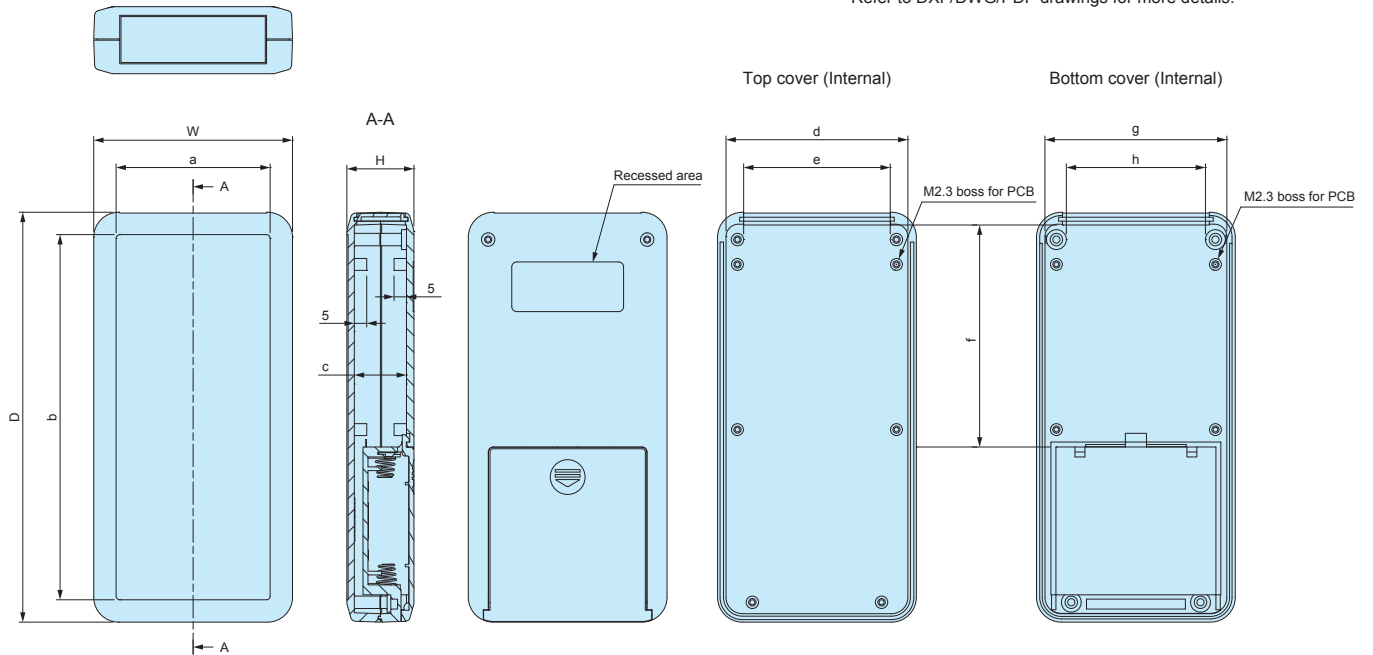
LC / LCS / LCT165-N
LC / LCE / LCS / LCT165H-N



Product no.	W	H	D	a	b	c	d	e	f	g	h	i
LC • LCS • LCT165-N	80	27	165	62	147	21	72.2	58	155.8	72.3	55	155.9
LC • LCE • LCS • LCT165H-N	80	35	165	62	147	29	71.7	58	155.3	72.3	55	155.9

LC / LCS / LCT165-M4
LC / LCS / LCT165H-M4

※ Number of PCB bosses vary by model.
Refer to DXF/DWG/PDF drawings for more details.



Product no.	W	H	D	a	b	c	d	e	f	g	h
LC • LCS • LCT165 -M4	80	27	165	62	147	21	72.2	58	89.2	72.3	55
LC • LCS • LCT165H-M4	80	35	165	62	147	29	71.7	58	89.2	72.3	55

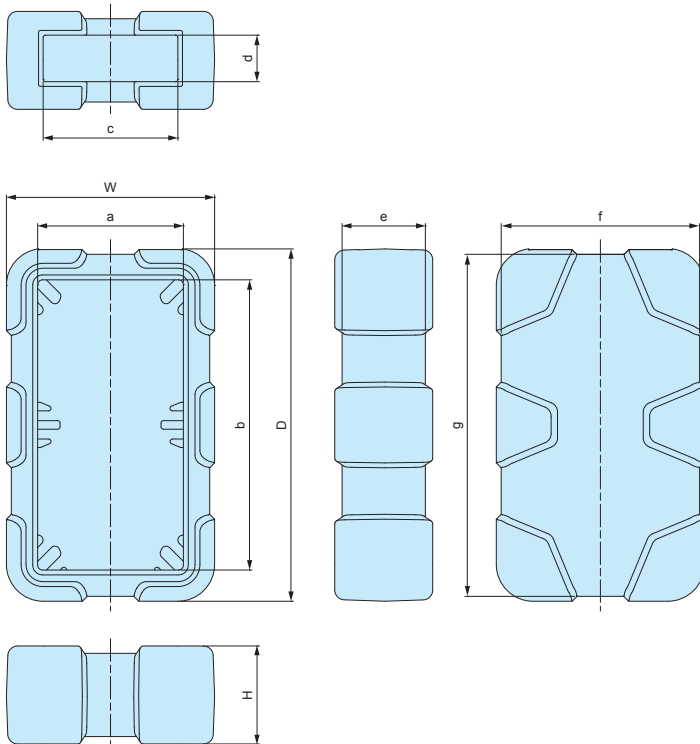
LCTP SERIES

SHOCK-PROOF SILICONE COVER

Color Type



- Shock-proof silicone cover for LC series. New sizes now available!
- Custom color is available from 500pcs per order batch. For custom color order, please specify **PANTONE®**, RGB color number or provide your sample color.
- Drawings below are reference examples only. DXF/DWG/PDF drawings available on our website.



APPLICATION EXAMPLE

ULTRASONIC HARDNESS TESTER
Product by NOVOTEST (Ukraine)



Components

Part name	Material	Color
Silicone cover	Silicone	Orange • Green • Navy • Dark gray • Light gray

Product no. / Dimensions

■ Please suffix color code at the end of the product number.

Product no.	W	H	D	a	b	c	d	e	f	g	Suitable case	Weight (g)
LCTP115 -□	76	28	121.9	55.5	101.5	48.3	12	24	72	117.8	LC115	53.5
LCTP115H -□	76	36.5	121.9	55.5	101.5	48.3	20.5	32.5	72	117.8	LC115H	61
LCTP135 -□	85	40	143.9	59.5	118.5	55	19	34	81	139.7	LC135	115.5
LCTP135H -□	85	48	143.9	59.5	118.5	55	27	42	81	139.6	LC135H	124
LCTP145S -□	105	33	153.9	76.5	125.5	71	12	27	101	149.9	LC145S	129.1
LCTP145 -□	105	40	153.9	76.5	125.5	71	19	34	101	149.7	LC145	137.5
LCTP145H -□	105	48	153.9	76.5	125.5	71	27	42	101	149.7	LC145H	147
LCTP165 -□	89	40	173.9	63.5	148.5	59	19	34	85	169.7	LC165	143
LCTP165H -□	89	48	173.9	63.5	148.5	59	27	42	85	169.6	LC165H	151.5

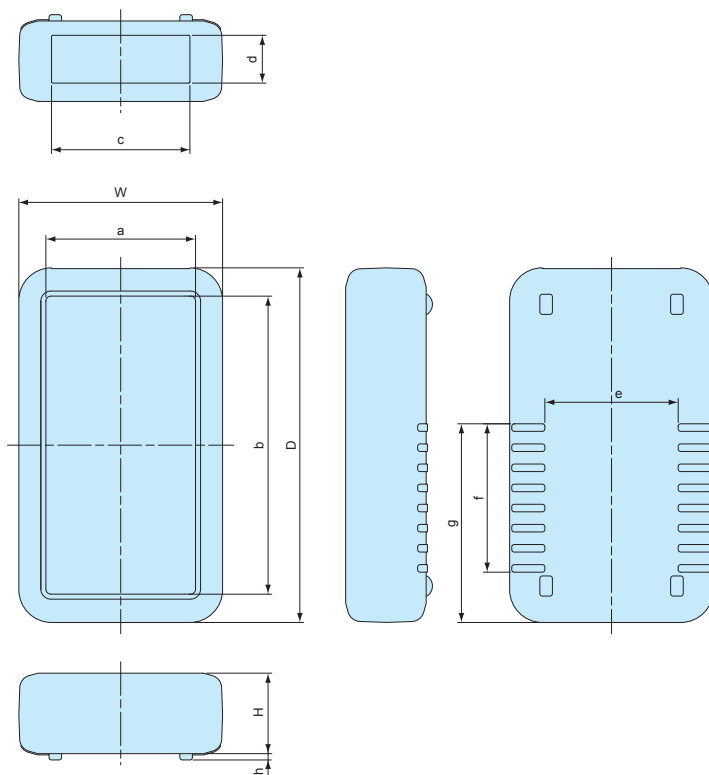
LCSC SERIES

SILICONE COVER

Color Type



- Silicone cover for LC Series.
- Custom color is available from 500pcs per order batch. For custom color order, please specify **PANTONE®**, RGB color number or provide your sample color.
- Drawings below are reference examples only. DXF/DWG/PDF drawings available on our website.



APPLICATION EXAMPLE

TEMPERATURE SURVEILLANCE SENSOR

Product by SENFIO (Brazil)



Components

Part name	Material	Color
Silicone cover	Silicone	Red • Yellow • Green • Blue • Navy • Dark gray • Light gray

Product no. / Dimensions

■ Please suffix color code at the end of the product number.

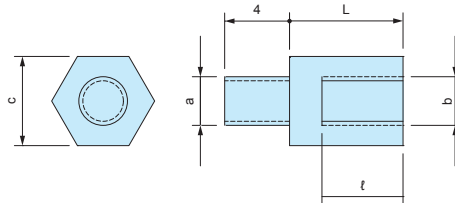
Product no.	W	H	D	a	b	c	d	e	f	g	h	Suitable case	Weight (g)
LCSC115 -□	74	24	120	55.5	101.5	48.3	12	46	44.5	60.5	2	LC115	43
LCSC115H-□	74	32.5	120	55.5	101.5	48.3	20.5	46	44.5	60.5	2	LC115H	50
LCSC135 -□	81	32	141	59.5	118.5	55	19	53	59	79	2.5	LC135	70
LCSC135H-□	81	40	141	59.5	118.5	55	27	53	59	79	2.5	LC135H	75.5
LCSC145S-□	101	25	151	76.5	125.5	71	12	71	59	81	2.5	LC145S	73.4
LCSC145 -□	101	32	151	76.5	125.5	71	19	71	59	81	2.5	LC145	81
LCSC145H-□	101	40	151	76.5	125.5	71	27	71	59	81	2.5	LC145H	89
LCSC165 -□	85	32	171	63.5	148.5	59	19	53	67	92	2.5	LC165	82.5
LCSC165H-□	85	40	171	63.5	148.5	59	27	53	67	92	2.5	LC165H	86

TPS SERIES

TAPPING STANDOFF



- Tapping screw head allows for easy installation onto existing enclosure boss mount.
- 3 different sizes available : M2.3, M2.6 and M3 size.



Product no. / Dimensions

■ Material / Finish : Brass / Unfinished

Product no.	Screw size (a)	Screw size (b)	c	L	ℓ	Pack of	Recommended enclosure models	
TPS-M2.3-4	M2.3	M2.3	5	4	3	4	WH series • PFE series LC • LCE • LCS • LCT series PF • PFF series (M2.3 boss models) TW • TWN • TWF series (M2.3 boss models) WP series (M2.3 boss models)	
TPS-M2.3-5	M2.3	M2.3	5	5	3	4		
TPS-M2.3-6	M2.3	M2.3	5	6	4	4		
TPS-M2.3-7	M2.3	M2.3	5	7	5	4		
TPS-M2.3-8	M2.3	M2.3	5	8	6	4		
TPS-M2.3-10	M2.3	M2.3	5	10	6	4		
TPS-M2.3-12	M2.3	M2.3	5	12	6	4		
TPS-M2.6-4	M2.6	M2.6	5	4	3	4		PF • PFF series (M2.6 boss models) WP series (M2.6 boss models)
TPS-M2.6-5	M2.6	M2.6	5	5	3	4		
TPS-M2.6-7	M2.6	M2.6	5	7	5	4		
TPS-M2.6-10	M2.6	M2.6	5	10	6	4		
TPS-M2.6-12	M2.6	M2.6	5	12	6	4	SU • OP series TWS • TW • TWN • TWF series (M3 boss models)	
TPS-M3-4	M3	M3	5.5	4	3	4		
TPS-M3-5	M3	M3	5.5	5	3	4		
TPS-M3-6	M3	M3	5.5	6	4	4		
TPS-M3-7	M3	M3	5.5	7	5	4		
TPS-M3-8	M3	M3	5.5	8	5	4		
TPS-M3-10	M3	M3	5.5	10	6	4		
TPS-M3-12	M3	M3	5.5	12	6	4		



- Please use a suitable sized socket driver to both secure and loosen the tapping standoff.



How to tighten

MT SERIES

PCB MOUNTING SCREWS for TPS



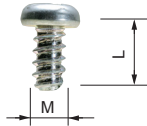
- PCB mounting Screws for TPS tapping standoffs.

Product no. / Dimensions

Product no.	M	L	Head style	Material	Finish	Pack of
NEW MT2.3-4	2.3	4	Pan	Steel	Trivalent chromate	20
NEW MT2.3-6	2.3	6		Steel	Trivalent chromate	20
NEW MT2.6-4	2.6	4		Steel	Trivalent chromate	20
MT3-4	3	4		Steel	Trivalent chromate	20

EM SERIES

PCB MOUNTING SCREW



- Self-tapping screws for mounting PCB on bosses or standoffs.
- EM-3-6 self-tapping screws are suitable for mounting 1.6mm or thicker PCB.

Product no. / Dimensions

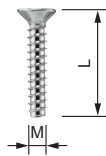
Product no.	M	L	Material	Finish	Suitable enclosures	Pack of
EM-1.6	1.6	4	Steel	Trivalent chromate	WC • CSS • CS • PS (M1.6 size)	50
EM-2	2	5	Steel	Trivalent chromate	PS • TW • TWN • TWF • WP (M2 size)	50
EM-2.3	2.3	6	Steel	Trivalent chromate	WH • LC • LCT • LCS • LCE • PFE WSC (Top cover bosses) PF • PFF (M2.3 size) TW • TWN • TWF (M2.3 size) WP (M2.3 size)	50
NEW EM-2.3-8	2.3	8	Steel	Trivalent chromate	WSC (Bottom base bosses)	50
EM-2.6	2.6	6	Steel	Trivalent chromate	PF • PFF • WP (M2.6 size)	50
EM-3	3	5	Steel	Trivalent chromate	SU TWS • TW • TWN • TWF (M3 sizes)	50
EM-3-6	3	6	Steel	Trivalent chromate		50

MR SERIES

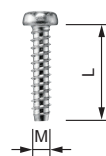
TORX SCREW



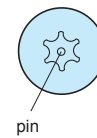
Countersunk head



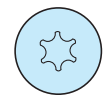
Pan head



With pin



★ Without pin



★ : MR1.6-6S, MR-2S, MR2.6-10□, and MR3-14□ are without pin.

Product no. / Dimensions

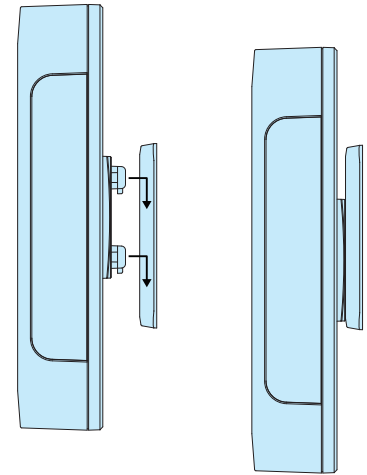
★Mark = Without pin

Product no.	M	L	head no.	Head style	Material	Finish	Suitable enclosures	Pack of
MR1.6-6S★	1.6	6	T3	Pan	Steel	Nickel plated	CS • CSS	20
MR2.5-8PS	2.5	8	T8	Pan	Steel	Nickel plated	PF • PFE • PFF (M2.5 size)	20
MR2.6-10S★	2.6	10	T8	Countersunk	Steel	Nickel plated	TW • TWN (M2.6 models) TWF (M2.6 models)	20
MR2.6-10B★	2.6	10	T8	Countersunk	Steel	Black trivalent chromate	MX • MXA • MXB • MXF (M2.6 models)	20
MR2.6-12PS	2.6	12	T8	Pan	Steel	Nickel plated	LCT • LCS • LC115-F2 / F3 LCT • LCS • LC145S-F6	20
MR2.6-14PS	2.6	14	T8	Pan	Steel	Nickel plated	LCT • LCS • LC115H-F2 / F3 / M2 / 9V LCT • LCS • LC135-F4 / M2 / M3 / 9V LCT • LCS • LC135H-F4 / M2 / M3 / 9V LCT • LCS • LC145-F6 / M2 / M4 LCT • LCS • LC145H-F6 / M2 / M4 LCT • LCS • LC165-M4 LCT • LCS • LC165H-M4	20
MR2.6-14S	2.6	14	T8	Countersunk	Steel	Nickel plated	LCT • LCS • LC115-N / F2 / F3 LCT • LCS • LC145S-F6 / 145S-N LCE115-N TW • TWN7-2-11 / 7-4-11 / 7-5-11 TWF7-2-11 / 7-4-11 / 7-5-11 / 8-2-8 / 8-4-8	20
MR2.6-18S	2.6	18	T8	Countersunk	Steel	Nickel plated	LCT • LCS • LC115H-N / F2 / F3 / M2 / 9V LCT • LCS • LC135-N / F4 / M2 / M3 / 9V LCT • LCS • LC135H-N / F4 / M2 / M3 / 9V LCT • LCS • LC145-N / F6 / M2 / M4 LCT • LCS • LC145H-N / F6 / M2 / M4 LCT • LCS • LC165-N / M4 LCT • LCS • LC165H-N / M4 LCE115H-N • LCE135-N • LCE145H-N • LCE165H-N	20
MR3-8PS	3	8	T10	Pan	Steel	Nickel plated	PF • PFE • PFF (M3 size)	20
MR3-14S★	3	14	T10	Countersunk	Steel	Nickel plated	TW • TWN (M3 models)	20
MR3-14B★	3	14	T10	Countersunk	Steel	Black trivalent chromate	TWF (M3 models) MX • MXA • MXB • MXF (M3 models)	20
MR-1S	3	5	T10	Countersunk	Steel	Nickel plated	UC	20
MR-1B	3	5	T10	Countersunk	Steel	Black trivalent chromate	UC • UCY • US	20
MR-2S	3	10	T10	Countersunk	Steel	Nickel plated	HEN	20

WM SERIES

SUSPENSION BRACKET

How to install

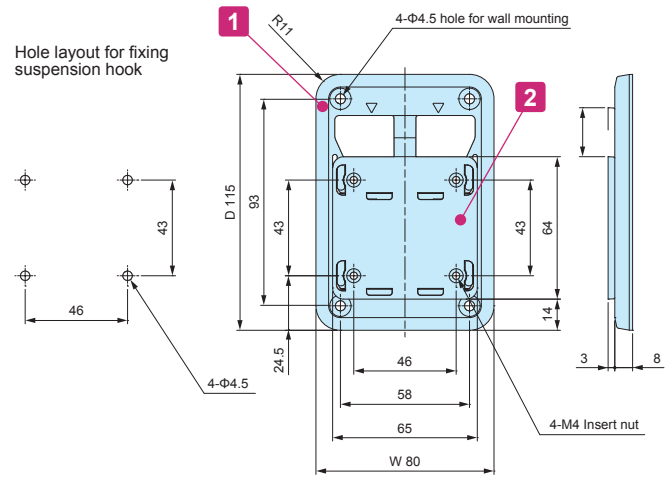
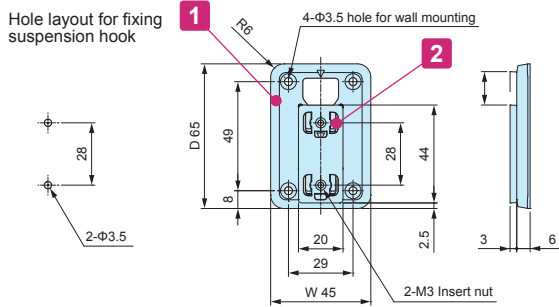


- Plastic wall mounting bracket. Easy attachment and removal.
- Large and small brackets are available.
- Applicable not only for the PF series, but also other plastic/metal enclosures with a panel thickness of 0.8 ~ 3.5mm.
- To attach the suspension hook onto the enclosure, hole milling is required.
- The max load values listed are static load values only. Use caution when handling.
- Please be aware of the insertion direction of the suspension hook against the mounting base when attaching.

Technical Data	
Max load : 2 kg - WM-1	5 kg - WM-2

WM-1

WM-2



■ DXF/DWG/PDF drawings available on our website.

Components

No.	Part name	Pcs	Material	Color / Finish
1	Mounting base	1	PC + ABS UL94HB	Off-white • Dark gray
2	Suspension hook	1	PC + ABS UL94HB	Off-white • Dark gray
-	Insert nut	2 / 4	Brass	Unfinished
-	Screw	2	M3-8 Steel binding = WM-1	Nickel plated
-	Screw	4	M4-8 Steel binding = WM-2	Nickel plated

Product no. / Dimensions

Product no.		Dimensions		Mountable thickness	Weight (g)
● Off-white	● Dark gray	W	D		
WM-1W	WM-1D	45	65	t0.8 ~ t3.5	11.5
WM-2W	WM-2D	80	115	t0.8 ~ t3.5	48