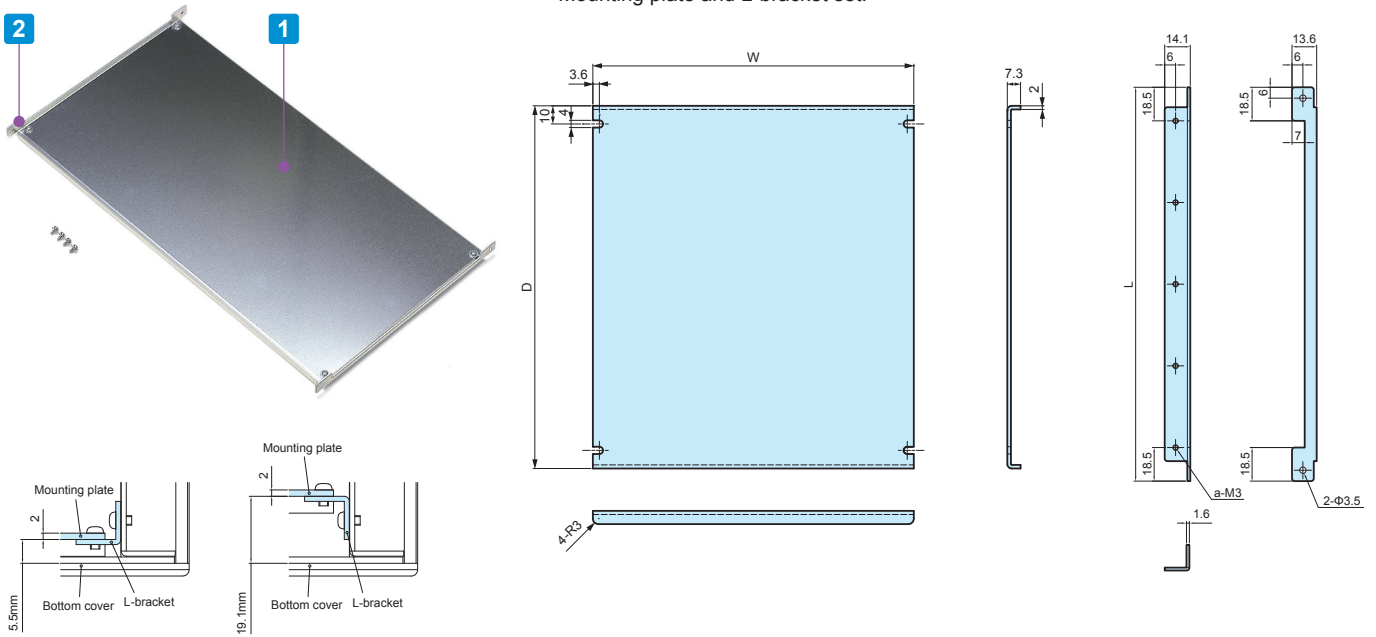


HYC SERIES

MOUNTING PLATE for HY · HYR · HYRH

■ Mounting plate and L-bracket set.

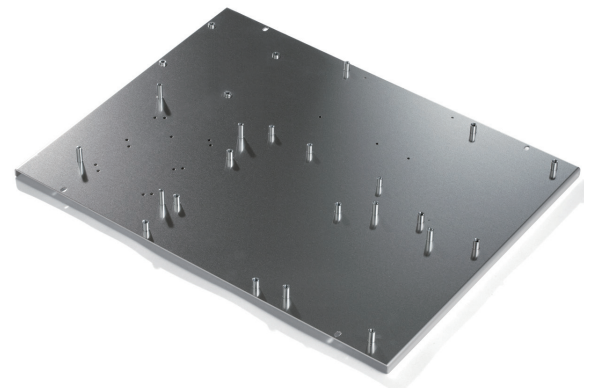


Components

| No. | Part name | Pcs | Material | Color / Finish |
|-----|----------------|-------|------------------------|-------------------|
| 1 | Mounting plate | 1 | Aluminium A1050P t=2.0 | Unfinished |
| 2 | L-bracket | 2 | Steel SPCC t=1.6 | Tivalent chromate |
| ? | Screw | 1 set | Steel M3 | Tivalent chromate |

Product no. / Dimensions

| Product no. | W | D | L | a | Suitable models | Weight (g) |
|-------------|-----|-----|-----|---|-----------------|------------|
| HYC23-23 | 177 | 200 | 217 | 5 | HY□-23-23 | 300 |
| HYC23-28 | 227 | 200 | 217 | 5 | HY□-28-23 | 350 |
| HYC23-33 | 277 | 200 | 217 | 5 | HY□-33-23 | 410 |
| HYC23-43 | 377 | 200 | 217 | 5 | HY□-43-23 | 520 |
| HYC33-23 | 177 | 299 | 316 | 7 | HY□-23-33 | 450 |
| HYC33-28 | 227 | 299 | 316 | 7 | HY□-28-33 | 550 |
| HYC33-33 | 277 | 299 | 316 | 7 | HY□-33-33 | 710 |
| HYC33-43 | 377 | 299 | 316 | 7 | HY□-43-33 | 800 |

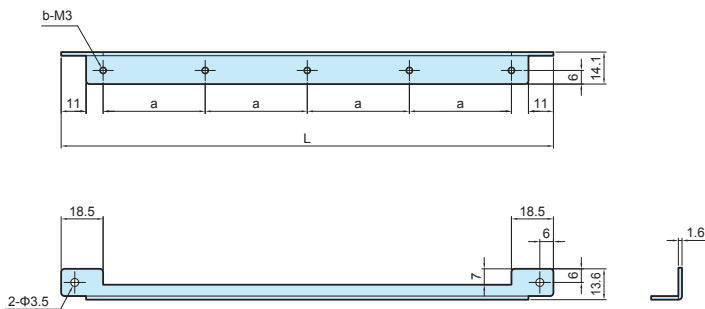


Clinching stud customization service available.

HYCL SERIES

L-bracket for HY · HYR · HYRH

- Simple L-bracket and screw set.
- Use with your original mounting plate or PCB.



Components

| No. | Part name | Material | Color / Finish |
|-----|-----------|-------------|-------------------|
| 1 | L-bracket | Steel t=1.6 | Tivalent chromate |
| 2 | Screw | Steel M3 | Tivalent chromate |

Product no. / Dimensions

| Product no. | L | a | b | Pack of |
|-------------|-----|------|---|---------|
| HYCL-23 | 217 | 45 | 5 | 2 |
| HYCL-33 | 316 | 46.5 | 7 | 2 |