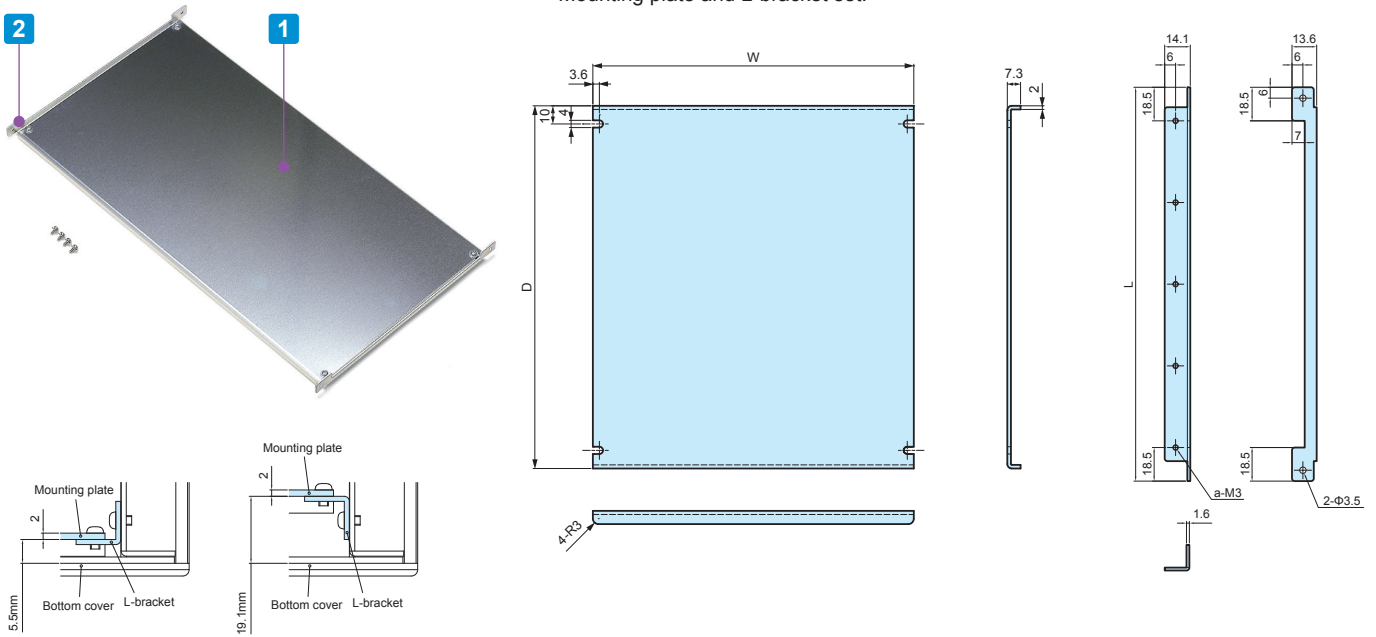


**HYC SERIES**

**MOUNTING PLATE for HY · HYR · HYRH**

■ Mounting plate and L-bracket set.

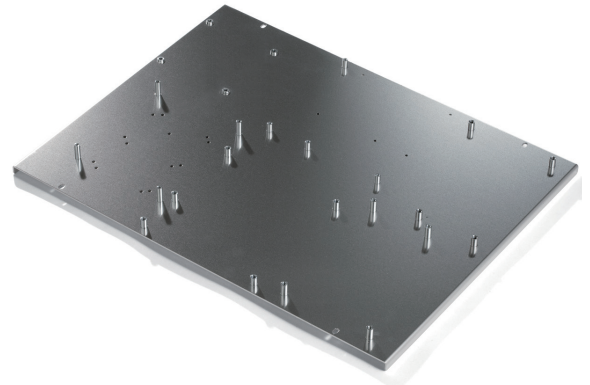


**Components**

No.	Part name	Pcs	Material	Color / Finish
1	Mounting plate	1	Aluminium A1050P t=2.0	Unfinished
2	L-bracket	2	Steel SPCC t=1.6	Tivalent chromate
?	Screw	1 set	Steel M3	Tivalent chromate

**Product no. / Dimensions**

Product no.	W	D	L	a	Suitable models	Weight (g)
HYC23-23	177	200	217	5	HY□-23-23	300
HYC23-28	227	200	217	5	HY□-28-23	350
HYC23-33	277	200	217	5	HY□-33-23	410
HYC23-43	377	200	217	5	HY□-43-23	520
HYC33-23	177	299	316	7	HY□-23-33	450
HYC33-28	227	299	316	7	HY□-28-33	550
HYC33-33	277	299	316	7	HY□-33-33	710
HYC33-43	377	299	316	7	HY□-43-33	800

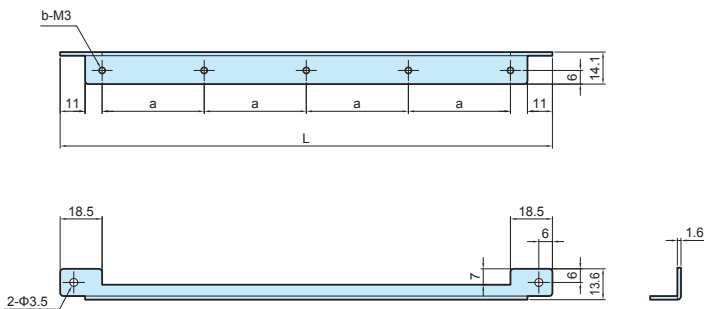


Clinching stud customization service available.

**HYCL SERIES**

**L-bracket for HY · HYR · HYRH**

- Simple L-bracket and screw set.
- Use with your original mounting plate or PCB.



**Components**

No.	Part name	Material	Color / Finish
1	L-bracket	Steel t=1.6	Tivalent chromate
2	Screw	Steel M3	Tivalent chromate

**Product no. / Dimensions**

Product no.	L	a	b	Pack of
HYCL-23	217	45	5	2
HYCL-33	316	46.5	7	2