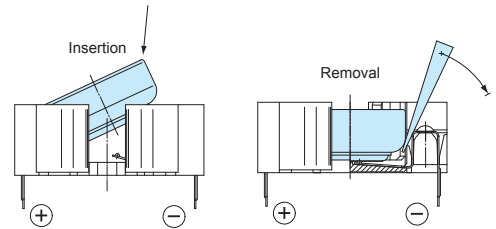




- Coin cell holder for 8 different coin cell types.
- Through-hole type with pins in a compact body.
- Heat resistant glass fiber filled LCP for lead-free reflow soldering.

Technical Data
Operating temperature: -40°C ~ +100°C

How to replace a coin cell.



Components

Holder material	Holder color	Contact material	Contact finish
Glass fiber filled LCP (UL94V-0)	Ivory	SUS301	Nickel plated • Sn plated over nickel

Battery contact : Nickel plated • Soldered area : Sn plated over nickel

Product no. / Feature

Product no.	Matching coin cell	Contact type	Weight (g)	Pack of
HU357	LR44/SR44	Through hole x 3	0.8	1
HU1220	CR1220	Through hole x 3	0.8	1
HU1225	CR1225	Through hole x 3	0.7	1
HU1632	CR1632	Through hole x 3	0.8	1
HU2032	CR2032	Through hole x 3	1.0	1
HU2430	CR2430	Through hole x 3	1.1	1
HU2450	CR2450 * <sup>1</sup>	Through hole x 3	1.5	1
<b>NEW</b> HU2477	CR2477 * <sup>2</sup>	Through hole x 3	1.7	1
HU1220-T	CR1220	Through hole x 3	—	50 pcs / tray
HU1225-T	CR1225	Through hole x 3	—	50 pcs / tray
HU1632-T	CR1632	Through hole x 3	—	50 pcs / tray
HU2032-T	CR2032	Through hole x 3	—	50 pcs / tray
HU2430-T	CR2430	Through hole x 3	—	50 pcs / tray
HU2450-T	CR2450 * <sup>1</sup>	Through hole x 3	—	50 pcs / tray
<b>NEW</b> HU2477-T	CR2477 * <sup>2</sup>	Through hole x 3	—	50 pcs / tray

\*<sup>1</sup>: Some coin cells are not suitable for HU2450. Please refer to the chart below.

To use a non-listed coin cell, please check and confirm before use.

\*<sup>2</sup> HU2477 can only be used with a Renata coin cell.

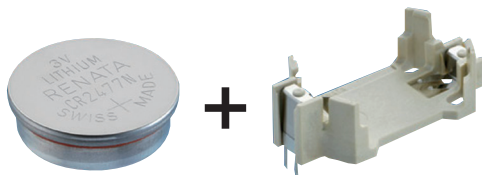
\*<sup>1</sup> HU2450 Suitability Chart

Brand (Product no.)	Suitability
FDK (CR2450C)	○
maxell (CR2450)	○
maxell (CR2450HR)	×
maxell (CR2450HR-Ex)	×
mitsubishi (CR2450B)	○
Panasonic (CR2450)	×
renata (CR2450N)	○
SANYO (CR2450-1BP)	○
SONY (CR2450B-ECO)	○

Reason for X : Coin cell shape does not fit.

\*<sup>2</sup> HU2477 can only be used with a Renata coin cell.

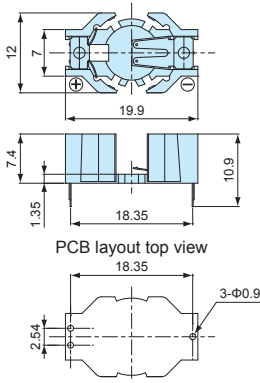
HU2477 is exclusively designed for use with a Renata CR2477N coin cell.



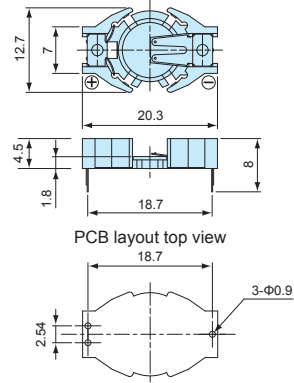
HU dimensions

DXF/DWG/PDF drawings available on our website.

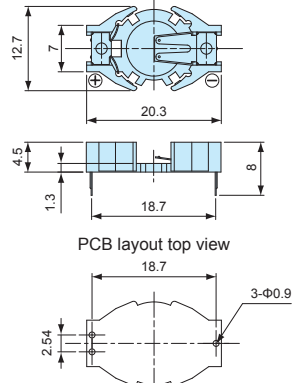
HU357



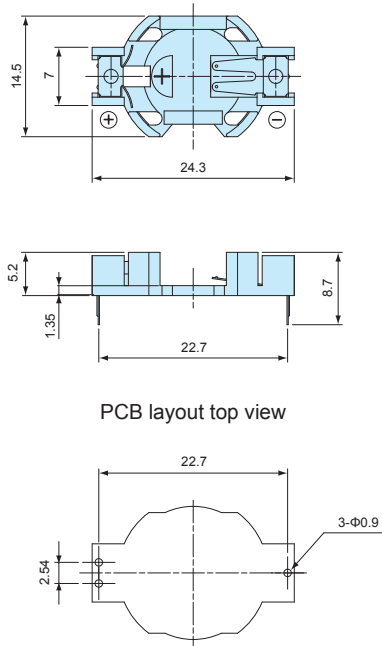
HU1220



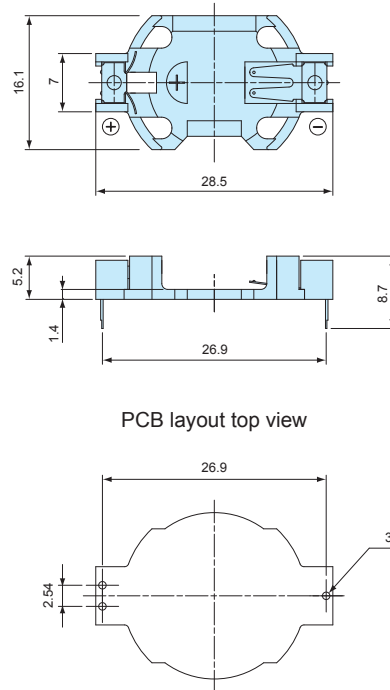
HU1225



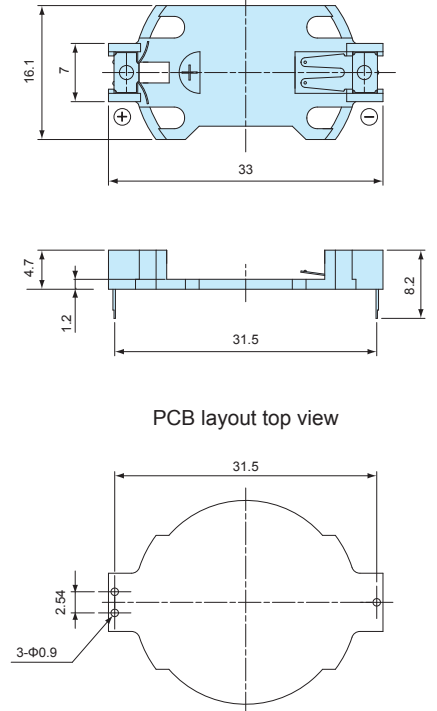
HU1632



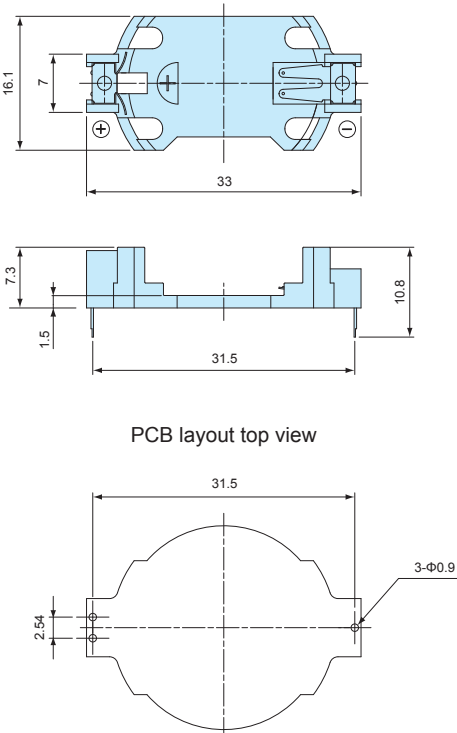
HU2032



HU2430



HU2450



HU2477

