

Technical Data
Protection class : IP67
Operating temperature : -40°C ~ +105°C
Recommended torque : 1N • m

Silicone gasket (waterproof)
Stainless steel mesh gasket (EMC Shielding)

- A double gasket construction allows both IP67 protection and EMC shielding to be possible.
- 13 different sizes available with 2 different finish types.
- Suitable for CATV terminal, fiber optic transmitter, FA controller, and so on.
- Available in powder coated model and unfinished model.

APPLICATION EXAMPLE

CATV OPTICAL NODE



LPWA OUTDOOR GATEWAY



WIFI ACCESS POINT

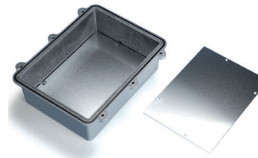
Accessories (Optional parts)



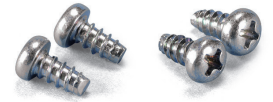
Mounting bracket HQF series
See page HQ-7



Pole Mounting bracket SSK series
See page SSK-M-1 ~ SSK-M-H



Mounting plate HQP series
See page HQ-8



Mounting screw MT series
See page HQ-7



Cable gland
See cable gland pages



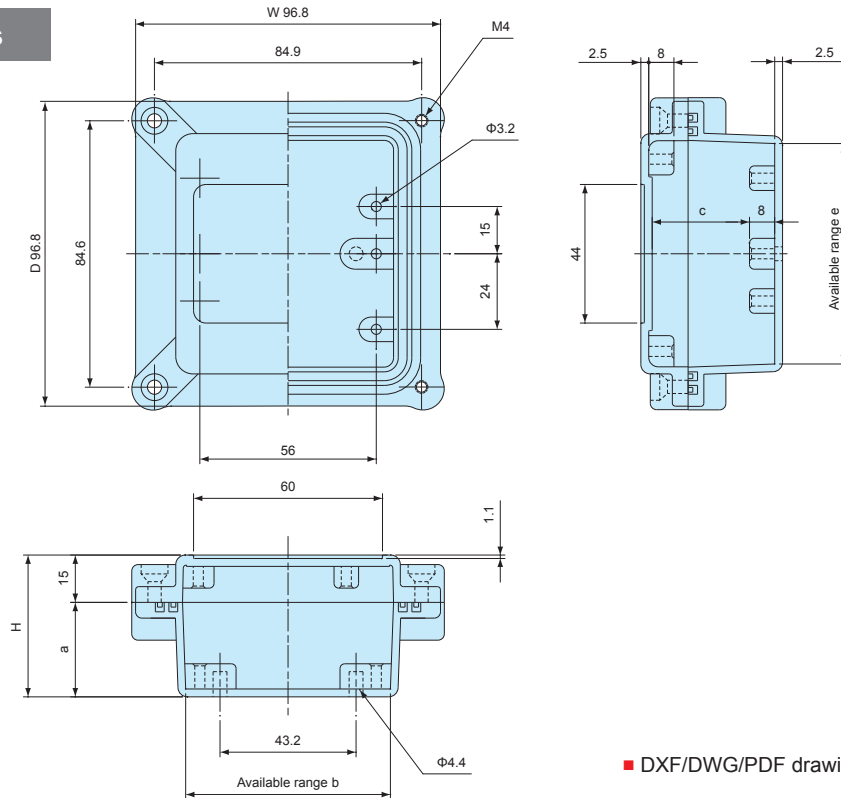
Protective vent PMF series
See PMF pages

Product no. / Dimensions

Product no.		Dimensions			Weight (g)
● Light gray	○ Unfinished	W	D	H	
HQ10-10- 5G	HQ10-10- 5N	96.3	96.8	45	302
HQ10-10- 7G	HQ10-10- 7N	96.8	96.8	67	335
HQ15-10- 5G	HQ15-10- 5N	150	100	50	442
HQ15-10- 8G	HQ15-10- 8N	150	99.5	75	494
HQ16-16- 6G	HQ16-16- 6N	162	162	55	626
HQ16-16- 8G	HQ16-16- 8N	162	162	80	715
HQ19-10- 5G	HQ19-10- 5N	192	96	45	507
HQ19-10- 7G	HQ19-10- 7N	192	96	67	590
HQ20-15- 5G	HQ20-15- 5N	200	150	50	753
HQ20-15- 8G	HQ20-15- 8N	200	150	75	849
HQ26-18- 6G	HQ26-18- 6N	262	181.5	55	961
HQ27-17- 7G	HQ27-17- 7N	274.2	173.2	66	1,129
HQ27-17-10G	HQ27-17-10N	274.2	172.7	100	1,287

HQ dimensions

HQ10-10-5
HQ10-10-7



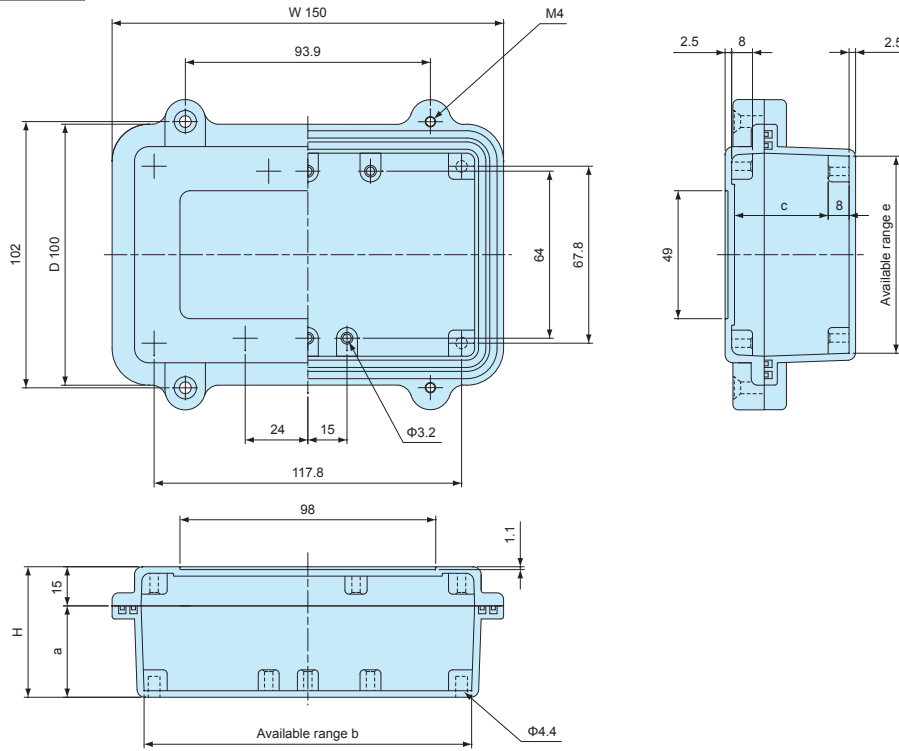
■ DXF/DWG/PDF drawings available on our website.

Product no.	W	D	H	a	b	c	e
HQ10-10- 5	96.3	96.8	45	30	64	30.9	69
HQ10-10- 7	96.8	96.8	67	52	64	52.9	69

HQ dimensions

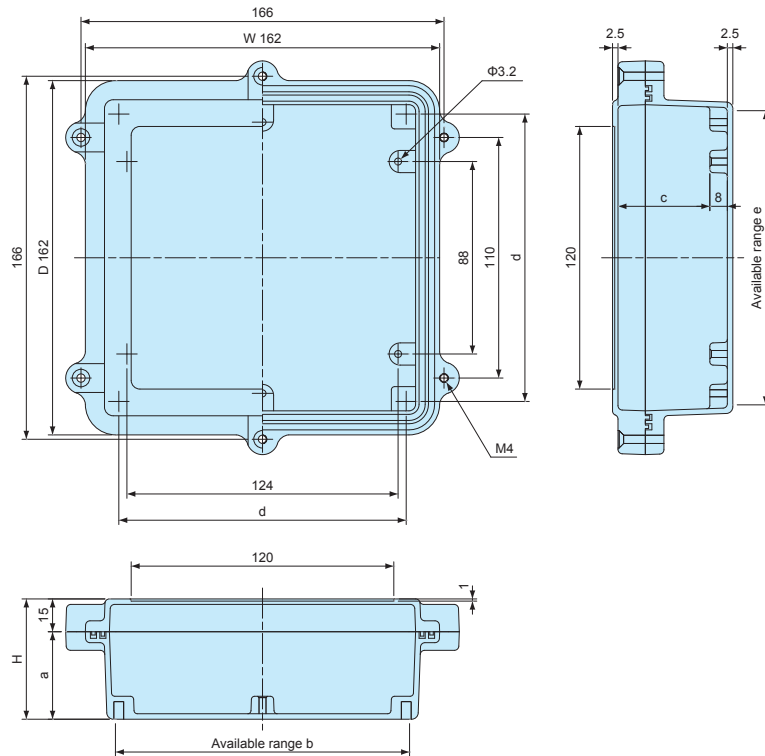
■ DXF/DWG/PDF drawings available on our website.

HQ15-10-5
HQ15-10-8



Product no.	W	D	H	a	b	c	e
HQ15-10- 5	150	100	50	35	125.5	35.9	75.5
HQ15-10- 8	150	99.5	75	60	123.7	60.9	73.7

HQ16-16-6
HQ16-16-8

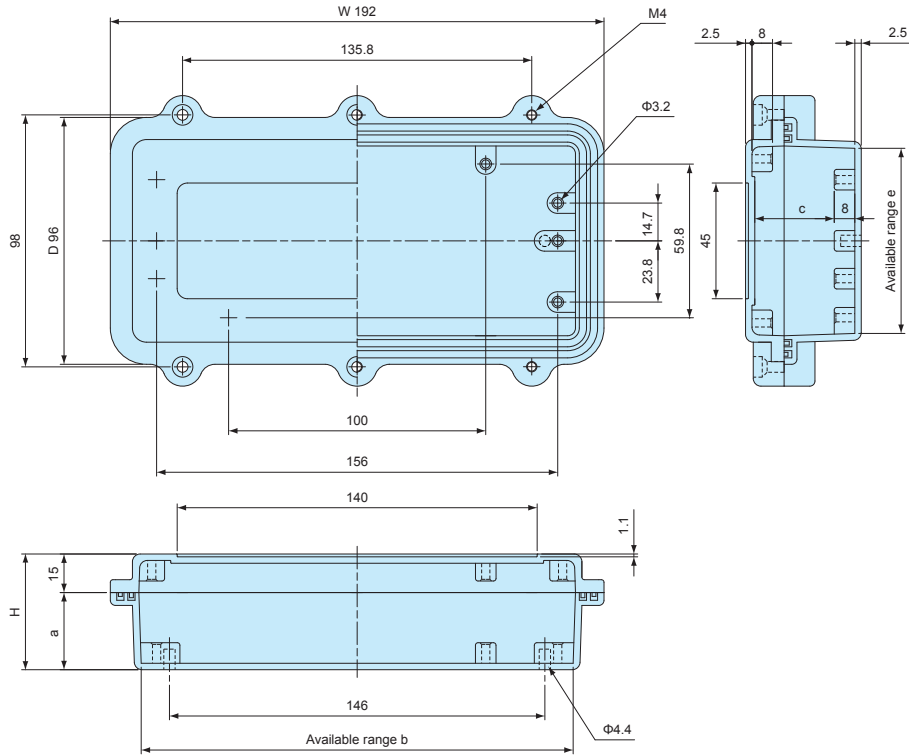


Product no.	W	D	H	a	b	c	d	e
HQ16-16- 6	162	162	55	40	134.5	42	131.41	134.5
HQ16-16- 8	162	162	80	65	132.7	67	129.66	132.7

HQ dimensions

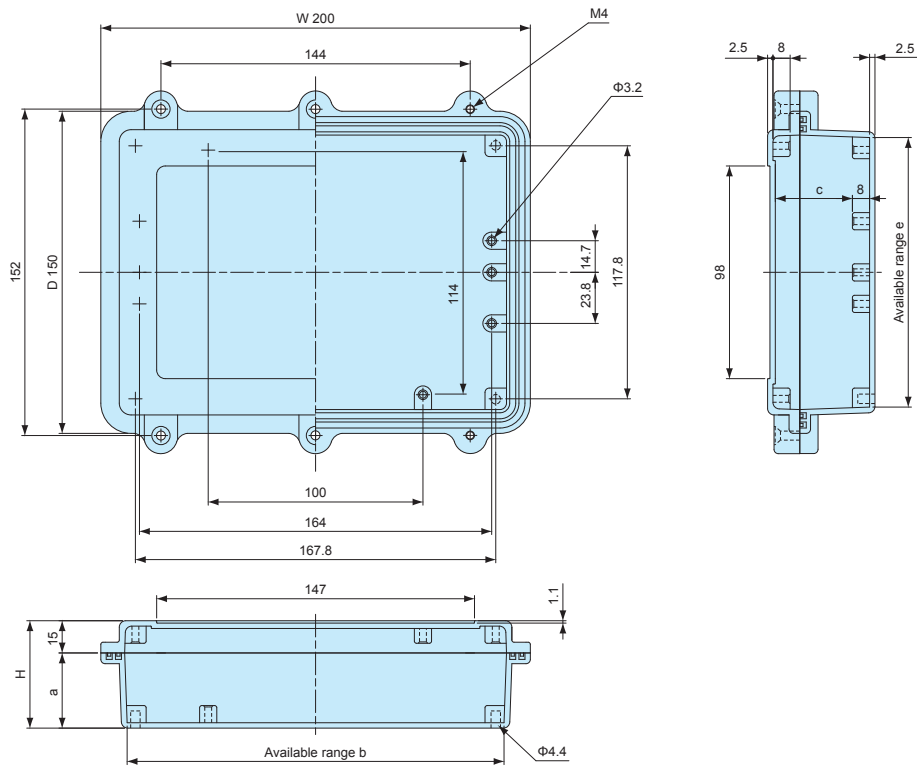
■ DXF/DWG/PDF drawings available on our website.

~~HQ19-10-5~~
~~HQ19-10-7~~



Product no.	W	D	H	a	b	c	e
HQ19-10- 5	192	96	45	30	168	30.9	72
HQ19-10- 7	192	96	67	52	166.6	52.9	70.6

HQ20-15-5
HQ20-15-8

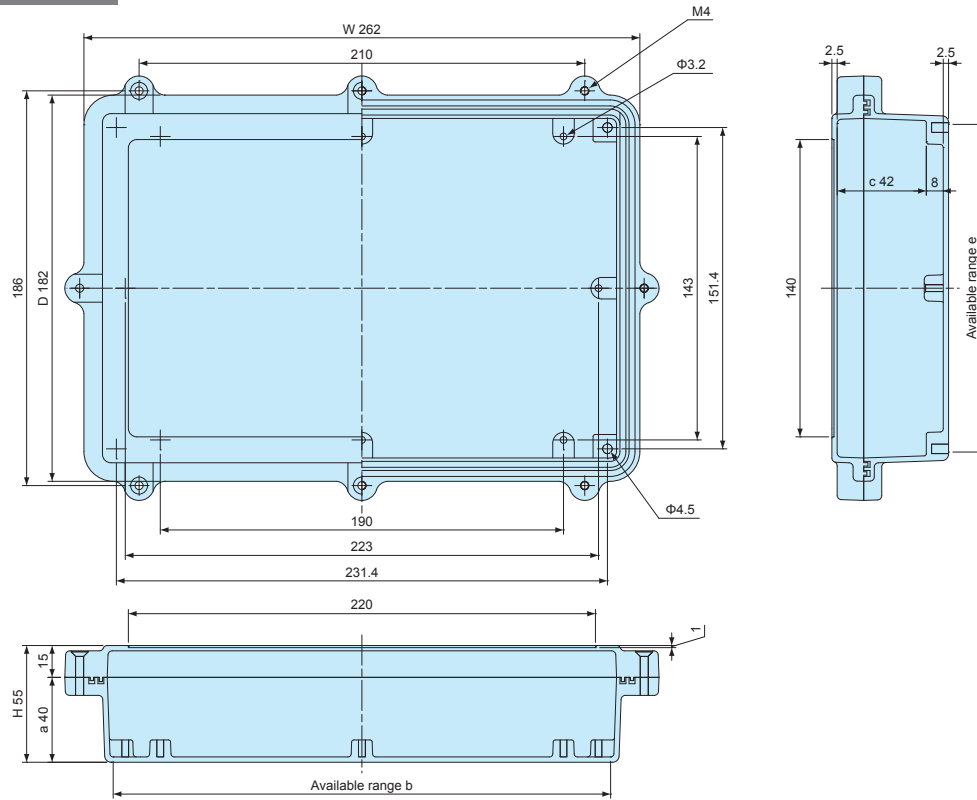


Product no.	W	D	H	a	b	c	e
HQ20-15- 5	200	150	50	35	175.5	35.9	125.5
HQ20-15- 8	200	150	75	60	173.7	60.9	123.7

HQ dimensions

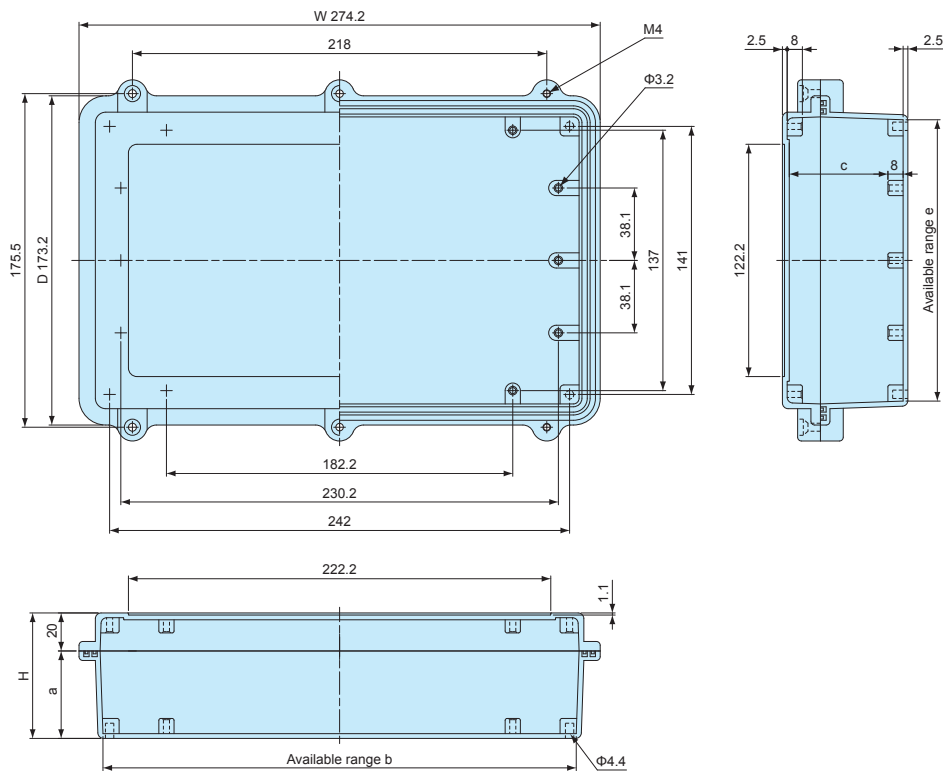
■ DXF/DWG/PDF drawings available on our website.

HQ26-18-6



Product no.	W	D	H	a	b	c	e
HQ26-18- 6	262	181.5	55	40	234.4	42	154.4

HQ27-17- 7
HQ27-17-10



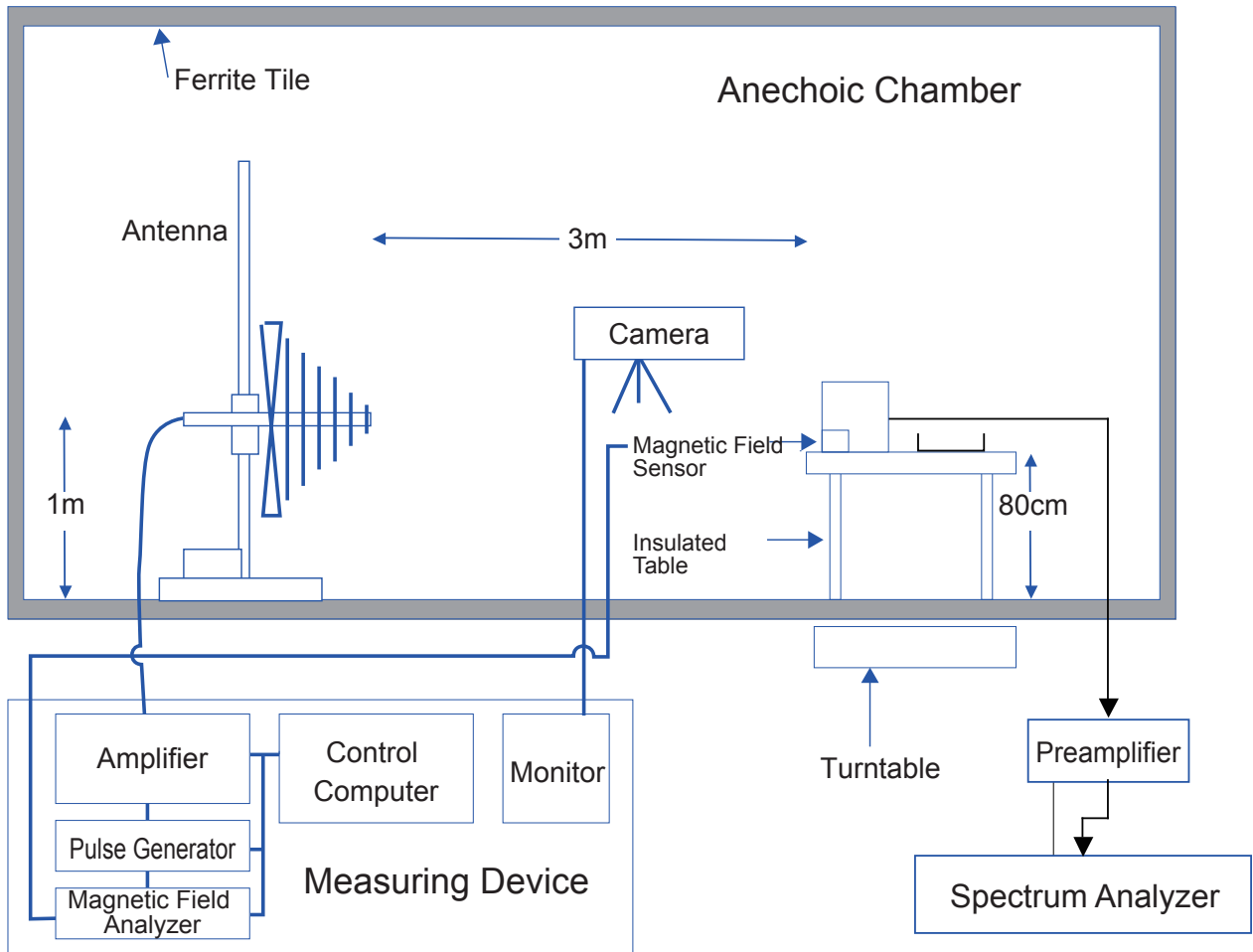
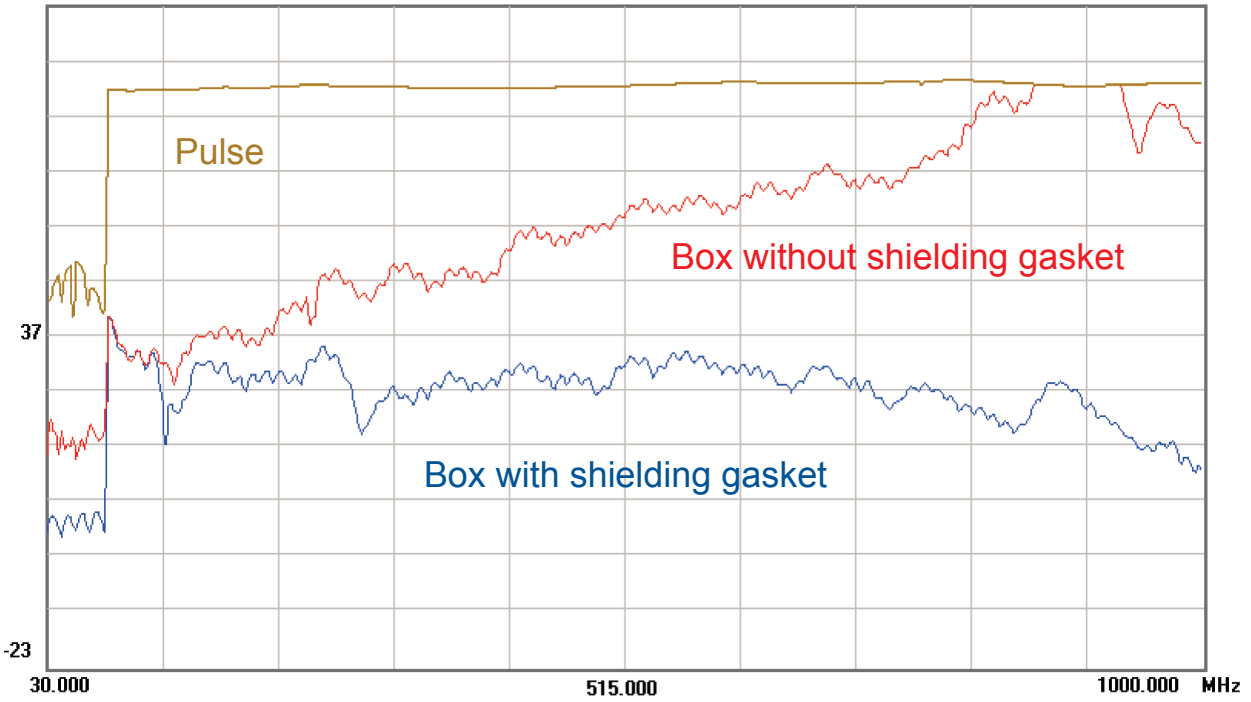
Product no.	W	D	H	a	b	c	e
HQ27-17- 7	274.2	173.2	66	46	249	51.9	148
HQ27-17-10	274.2	172.7	100	80	249	85.9	148

EMI SHIELDING TEST DATA

Test Result
by Gestek

97.0 dBuV/m

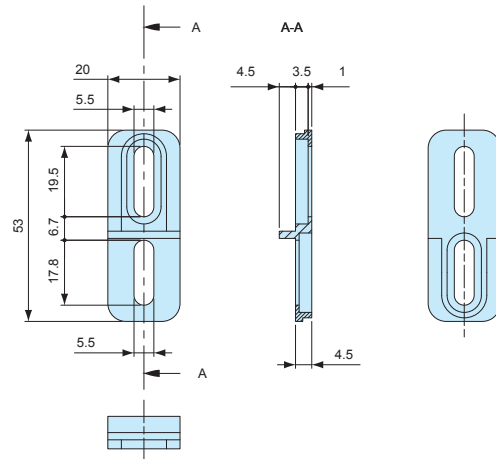
Date : 2007/12/20



HQF SERIES

MOUNTING BRACKET for HQ

■ DXF/DWG/PDF drawings available on our website.



Components

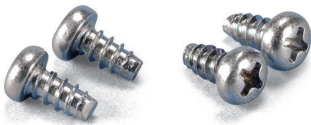
Part name	Pcs	Material	Color / Finish
Mounting bracket	4	Diecast aluminium ADC12	Powder coated • Unfinished
Screw	4	Stainless steel	Unfinished

Product no. / Feature

Product no.	Color / Finish	Suitable box	Pack of
HQF-1G	Light gray / Powder coated	HQ all models	4
HQF-1N	Unfinished	HQ all models	4

MT SERIES

MOUNTING SCREW for HQ

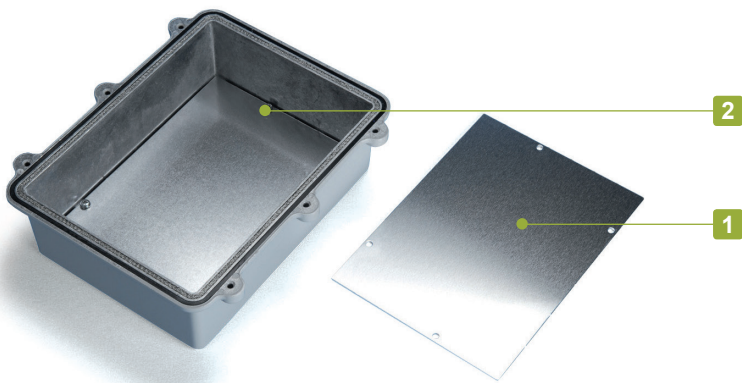


Product no. / Feature

Product no.	Material	Color / Finish	Pack of
MT3.5-8K	Steel	Trivalent chromate	4

HQP SERIES

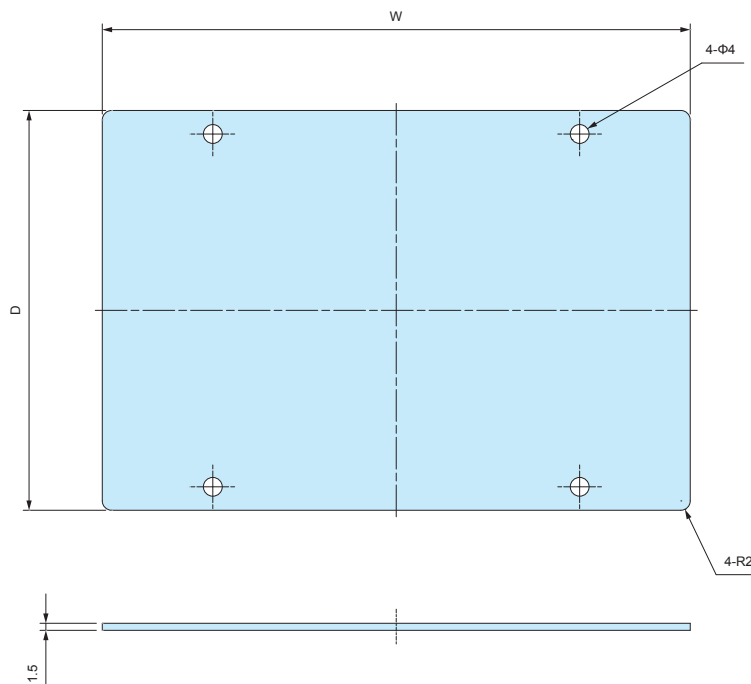
MOUNTING PLATE for HQ



Components

No.	Part name	Pcs	Material	Color / Finish
1	Mounting plate	1	Aluminium A1050P t = 1.5	Unfinished
2	Screw (MT3.5-8K)	4	Steel	Trivalent chromate

■ Drawings below are reference examples only.
DXF/DWG/PDF drawings available on our website.



Product no. / Dimensions

Product no.	W	D	Suitable box
HQP10-10	63	68	HQ10-10-5 • HQ10-10-7
HQP15-10	122	72	HQ15-10-5 • HQ15-10-8
HQP16-16	132	132	HQ16-16-6 • HQ16-16-8
HQP19-10	166	70	HQ19-10-5 • HQ19-10-7
HQP20-15	172	122	HQ20-15-5 • HQ20-15-8
HQP26-18	235	155	HQ26-18-6
HQP27-17	248	147	HQ27-17-7 • HQ27-17-10

Components

No.	Part name	Pcs	Material	Color / Finish
1	Bracket	2	Stainless steel SUS304	Barrel finish
2	Mounting bracket (SSK-P models only)	2	ASA UL94HB	White gray

Product no. / Dimensions

Product no.	W	a	b	c	Suitable mounting belt	Pack of
SSK-S1	32.25	18.25	14	—	PKB-10PM, 10P, PKB-10S	4
SSK-P50	50	44.5	37.5	5.5× 9	PKB-10PM, 10P, PKB-10S	2
SSK-P60	60	54.5	47.5	5.5× 9	PKB-10PM, 10P, PKB-10S	2
SSK-P75	75	69.5	55.5	5.5×12.5	PKB-10PM, 10P, PKB-10S	2
SSK-P80	80	74.5	64.5	5.5×10.5	PKB-10PM, 10P, PKB-10S	2
SSK-P100	100	88.1	76.5	5.5×11.3	PKB-10PM, 10P, PKB-10S	2
SSK-P120	120	106.5	88.5	5.5×14.5	PKB-10PM, 10P, PKB-10S	2
SSK-160	142	129.5	106.5	—	PKB-10PM, 10P, PKB-10S	2
SSK-170	152	142.3	101	—	PKB-10PM, 10P, PKB-10S	2
SSK-200	174	161.5	112.5	—	PKB-10PM, 10P, PKB-10S	2
SSK-210	192	180.5	131.5	—	PKB-10PM, 10P, PKB-10S	2
SSK-250	230	215.5	166.5	—	PKB-10PM, 10P, PKB-10S	2
SSK-280	260	244.5	195.5	—	PKB-10PM, 10P, PKB-10S	2
SSK-300	280	264.5	215.5	—	PKB-10PM, 10P, PKB-10S	2
SSK-350	324	302.5	253.5	—	PKB-10PM, 10P, PKB-10S	2
SSK-400	374	354.5	305.5	—	PKB-20S	2
SSK-530	484	462	380	7×9	PKB-20S	2

SSK-B SERIES

MOUNTING SCREW SET for SSK

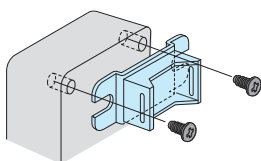
- Mounting screw set for use with SSK pole mounting bracket.
- See below chart for appropriate screw / box combination.
- Material / Finish : Stainless steel / Unfinished.

Product no. / Dimensions

Product no.	Included screws	Suitable box	Pcs
SSK-B4-15N	M4-15 Pan head with nut	AW5-4-7 ~ AW8-5-18	4
SSK-B4-25N	M4-25 Pan head with nut	BDN9-9-6, BDN10-14-7	4
SSK-B5-8T	M5-8 Binding head tapping	HQ series	4
SSK-B5-15N	M5-15 Pan head with nut	AW9-9-10 ~ AW21-9-31	4
SSK-B5-25N	M5-25 Pan head with nut	BDN12-22-8, BDN16-26-9	4

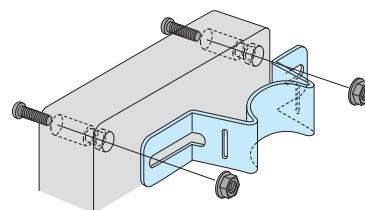
- Installation Example

M5 thread fastening



SSK-B5-8T

M4/M5 Pan head with nut fastening



SSK-B4-15N SSK-B4-25N
 SSK-B5-15N SSK-B5-25N
 SSK-B5-35N SSK-B6-40N

POLE MOUNTING BRACKET / SCREW SET MATCHING CHART

BDN series

	Box Product no.	SSK Product no.		Screw set Product no.
		Vertical mount	Horizontal mount	
BDN	9-9-6	SSK-P75	SSK-P100	SSK-B4-25-N
	10-14-7	SSK-P80	SSK-160	SSK-B4-25-N
	12-22-8	SSK-P100	SSK-250	SSK-B5-25-N
	16-26-9	SSK-160	SSK-280	SSK-B5-25-N

HQ series

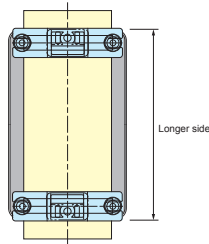
	Box Product no.	SSK Product no.		Screw set Product no.
		Vertical mount	Horizontal mount	
HQ	10-10-5 • 10-10-7	SSK-P50	—	SSK-B5-8T
	15-10-5 • 15-10-8	SSK-P80	SSK-160	SSK-B5-8T
	15-11-3	SSK-P100	SSK-160	SSK-B5-8T
	16-16-6 • 16-16-8	SSK-170	SSK-170	SSK-B5-8T
	19-10-5 • 19-10-7	—	SSK-200	SSK-B5-8T
	20-15-3 • 20-15-5 • 20-15-9	SSK-160	SSK-210	SSK-B5-8T
	26-18-6	SSK-200	SSK-280	SSK-B5-8T
	27-17-7 • 27-17-10	SSK-170	SSK-280	SSK-B5-8T

SSM • SSB series ■ Installation should be done by welding.

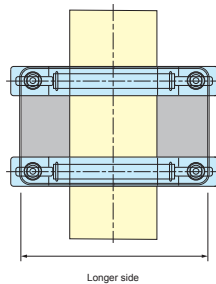
	Box Product no.			SSK Product no.	
				Vertical mount	Horizontal mount
SSM SSB	121508			SSK-S1	—
	151508	152206	152210	SSK-160	—
	202010	202806		SSK-210	—
	202812	223312			
	304015			SSK-300	—

■ SSK bracket is different depending on mount type (Vertical or Horizontal).

Vertical mount
(Longer vertical side)



Horizontal mount
(Longer horizontal side)



AW series

	Box Product no.	SSK Product no.		Screw set Product no.
		Vertical mount	Horizontal mount	
AW	5-4-7	—	SSK-P100	SSK-B4-15N
	5-4-9	—	SSK-P120	SSK-B4-15N
	5-4-11	—	SSK-160	SSK-B4-15N
	5-4-14	—	SSK-200	SSK-B4-15N
	7-7-8	SSK-P50	SSK-P120	SSK-B4-15N
	7-7-11	SSK-P50	SSK-160	SSK-B4-15N
	7-7-15	SSK-P50	SSK-210	SSK-B4-15N
	7-7-20	SSK-P50	SSK-250	SSK-B4-15N
	7-7-25	SSK-P50	SSK-300	SSK-B4-15N
	8-5-9	SSK-P75	SSK-160	SSK-B4-15N
	8-5-12	SSK-P75	SSK-160	SSK-B4-15N
	8-5-14	SSK-P75	SSK-200	SSK-B4-15N
	8-5-18	SSK-P75	SSK-250	SSK-B4-15N
	9-9-10	SSK-P75	SSK-160	SSK-B5-15N
	9-9-13	SSK-P75	SSK-170	SSK-B5-15N
	9-9-17	SSK-P75	SSK-250	SSK-B5-15N
	9-9-22	SSK-P75	SSK-280	SSK-B5-15N
	9-9-28	SSK-P75	SSK-350	SSK-B5-15N
	11-6-11	SSK-P100	SSK-160	SSK-B5-15N
	11-6-15	SSK-P100	SSK-210	SSK-B5-15N
	11-6-19	SSK-P100	SSK-250	SSK-B5-15N
	11-6-24	SSK-P100	SSK-300	SSK-B5-15N
	12-8-11	SSK-P120	SSK-160	SSK-B5-15N
	12-8-14	SSK-P120	SSK-200	SSK-B5-15N
	12-8-17	SSK-P120	SSK-250	SSK-B5-15N
	12-8-22	SSK-P120	SSK-280	SSK-B5-15N
	16-9-14	SSK-160	SSK-200	SSK-B5-15N
	16-9-18	SSK-160	SSK-250	SSK-B5-15N
	16-9-23	SSK-160	SSK-280	SSK-B5-15N
	16-9-28	SSK-160	SSK-350	SSK-B5-15N
	21-9-17	SSK-210	SSK-250	SSK-B5-15N
21-9-21	SSK-210	SSK-280	SSK-B5-15N	
21-9-26	SSK-210	SSK-350	SSK-B5-15N	
21-9-31	SSK-210	SSK-400	SSK-B5-15N	



PKB-10PM, 10P

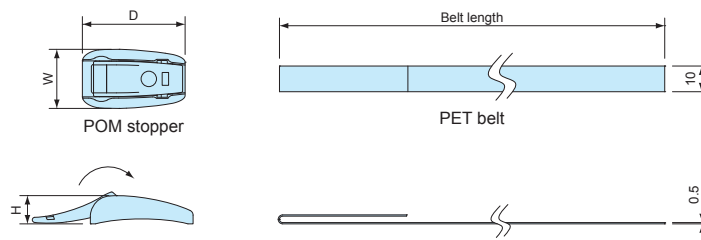


PKB-10S, 20S

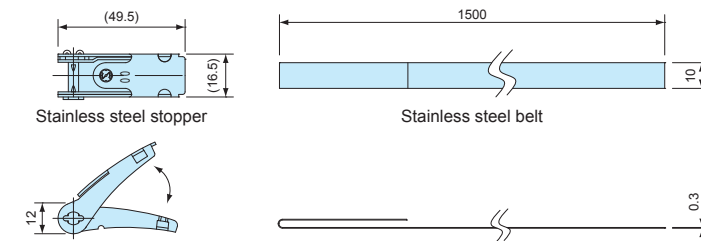
- New shorter belt type PKB-10PM is available for $\phi 25$ to $\phi 60$ mm poles. Other belt types are for $\phi 60$ to $\phi 400$ mm poles.
- Designed for one time use only (not reusable).
- Strong stainless steel clamping type and easy installation plastic type are available.
- Use SSK mounting bracket for installation onto a pole.
- Drawings below are reference examples only. DXF/DWG/PDF drawings available on our website.

PKB dimensions

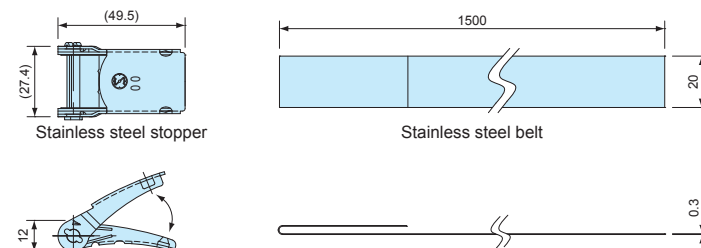
PKB-10PM, 10P



PKB-10S



PKB-20S



Components

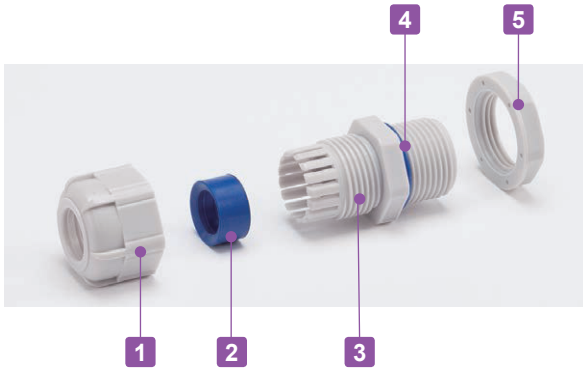
Part name	Pcs	Material	Color / Finish
Stopper	2	POM • Stainless steel SUS304	Black • Barrel finish
Belt	2	PET • Stainless steel SUS430	Gray • Bright Annealed finish

Product no. / Dimensions

Product no.	W	D	H	Belt material	Belt length	Tensile strength (horizontal)	Weight (g)	Pack of
NEW PKB-10PM	24	23	11	PET	500mm	0.8kN	14	2
PKB-10P	23	40	11	PET	1,500mm	1.3kN	31.8	2
PKB-10S	—	—	—	Stainless steel	1,500mm	1.4kN	101.6	2
PKB-20S	—	—	—	Stainless steel	1,500mm	2.9kN	182.2	2



- Weatherproof cable gland equipped with high ultraviolet and degradation resistant silicone sealing insert and O-ring.
- Recommended to use outdoors where waterproofing is critical.

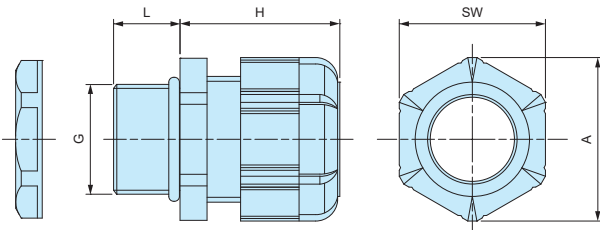


Components

■ PA = Polyamide

No.	Part name	Material
1	Cap	PA66 UL94V-2
2	Sealing insert	Silicone
3	Connector	PA66 UL94V-2
4	O-ring	Silicone
5	Nut	PA66 UL94V-2

RMW dimensions



Technical Data

Protection class: IP67
Operating temperature: -20°C ~ +80°C

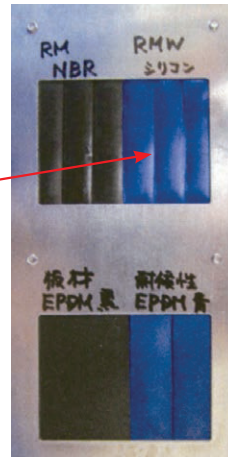
- DXF/DWG/PDF drawings available on our website.
- Lock nut is not included for RMW10S-6.
Please drill a proper thread hole into the enclosure for installation.

Product no. / Dimensions

Product no.		G		Cable range		L	H Max	SW	A	Pack of
● Black	● Light gray	Thread size	Mounting hole	Min	Max					
RMW8L-2.5B	RMW8L-2.5S	M8×1.25	Φ8.2	1	2.5	13	19.5	11.8	13.5	1
RMW8L-4B	RMW8L-4S	M8×1.25	Φ8.2	2.5	4	13	19.5	11.8	13.5	1
RMW10S-6B	RMW10S-6S	M10×1.5	—	3	6	8	20.5	13	14.4	1
RMW10L-6B	RMW10L-6S	M10×1.5	Φ10.2	3	6	13	20.5	13	14.4	1
RMW12S-7B	RMW12S-7S	M12×1.5	Φ12.2	3.5	7	9	20.5	16	17.6	1
RMW12L-7B	RMW12L-7S	M12×1.5	Φ12.2	3.5	7	14.5	20.5	16	17.7	1
RMW16S-8B	RMW16S-8S	M16×1.5	Φ16.2	4	8	9	23.5	19	21	1
RMW16L-8B	RMW16L-8S	M16×1.5	Φ16.2	4	8	15	24	19	21	1
RMW20S-12B	RMW20S-12S	M20×1.5	Φ20.2	6	12	10	29	24	26.2	1
RMW20L-12B	RMW20L-12S	M20×1.5	Φ20.2	6	12	15	28.5	24	26.2	1
RMW25L-17B	RMW25L-17S	M25×1.5	Φ25.2	11	17	15	35	33	36.2	1
RMW32L-21B	RMW32L-21S	M32×1.5	Φ32.3	13	21	15	38	36	39.5	1
RMW40L-27B	RMW40L-27S	M40×1.5	Φ40.3	18	27	18	43.5	45.7	50.5	1
RMW50L-38B	RMW50L-38S	M50×1.5	Φ50.4	27	38	20	50.5	60	66.5	1
RMW8L-2.5B-P	RMW8L-2.5S-P	M8×1.25	Φ 8.2	1	2.5	13	19.5	11.8	13.5	100
RMW8L-4B-P	RMW8L-4S-P	M8×1.25	Φ 8.2	2.5	4	13	19.5	11.8	13.5	100
RMW10L-6B-P	RMW10L-6S-P	M10×1.5	Φ10.2	3	6	13	20.5	13	14.4	100
RMW12S-7B-P	RMW12S-7S-P	M12×1.5	Φ12.2	3.5	7	9	20.5	16	17.6	100
RMW12L-7B-P	RMW12L-7S-P	M12×1.5	Φ12.2	3.5	7	14.5	20.5	16	17.7	100
RMW16S-8B-P	RMW16S-8S-P	M16×1.5	Φ16.2	4	8	9	23.5	19	21	100
RMW16L-8B-P	RMW16L-8S-P	M16×1.5	Φ16.2	4	8	15	24	19	21	100
RMW20S-12B-P	RMW20S-12S-P	M20×1.5	Φ20.2	6	12	10	29	24	26.2	100
RMW20L-12B-P	RMW20L-12S-P	M20×1.5	Φ20.2	6	12	15	28.5	24	26.2	100
RMW25L-17B-P	RMW25L-17S-P	M25×1.5	Φ25.2	11	17	15	35	33	36.2	100

RMW series silicone sealing insert weatherproof test report

Object: Cut into a piece of the silicone sealing insert from RMW series and attach it onto an aluminium plate.
 For comparison, NBR sealing insert from our RM and EPDM sealing insert from another manufacturer is also attached for comparison purposes.



Before



After

Testing conditions

Equipment : 7.5kW Super Xenon Weather Meter SX75 (Suga Test Instruments Co., Ltd.- <http://www.sugatest.co.jp/english/>)
Conditions : JIS B7754 : 1991

Testing with an authorized Xenon arc lamp weathering test equipment under the conditions denoted below.
 Irradiance : 180W/m² at 300-400nm
 Black Panel Temperature : 63±3°C Humidity Range : 50±10%
 Cycle Conditions : 120 minutes cycle (18 minutes irradiation + water spray - 102 minutes irradiation)

Time period : 2,000 hours (equivalent to a period of 4 years under natural conditions)
Total radiant exposure : 1296MJ/m²

Test result (visual / touch inspection)

Silicone sealing insert material : No cracks, no gloss transition, no powder - no appearance change at all. Flexibility remains unchanged.

Before



After

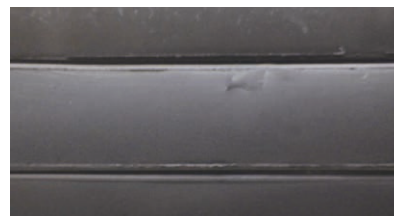


NBR material from our RM series : Lost glossiness on the surface and material is stiffened.

Before

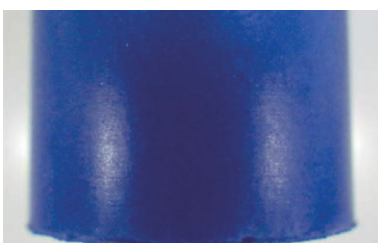


After

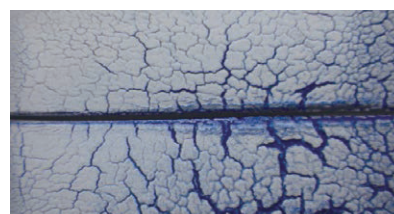


EPDM material from weatherproof cable gland of another manufacturer : Cracked, color drastically faded and powder appeared on the surface.

Before

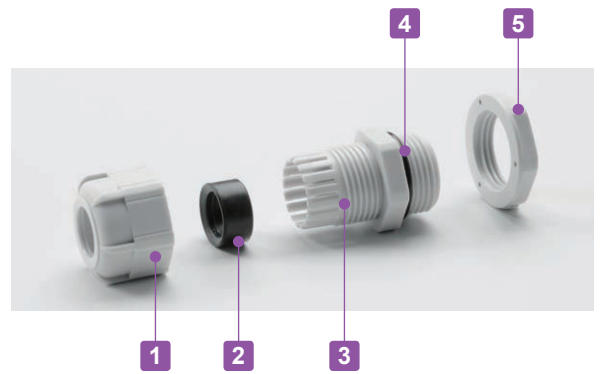


After



RM SERIES

POLYAMIDE CABLE GLAND



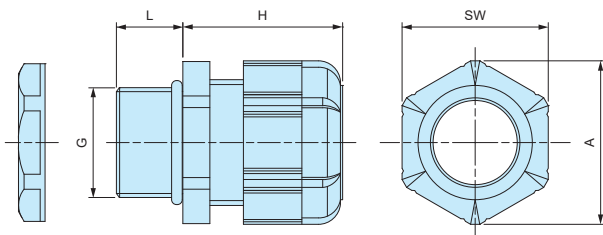
- Low cost cable glands made from polyamide material.
- Wide selection, for M8 ~ M63, suitable for $\Phi 1\text{mm} \sim \Phi 44\text{ mm}$ cable.
- High oil resistant NBR rubber sealing and O-ring.
- IP67 protection class.

Components

■ PA = Polyamide

No.	Part name	Material
1	Cap	PA66 UL94V-2
2	Sealing insert	NBR
3	Connector	PA66 UL94V-2
4	O-ring	NBR
5	Lock nut	PA66 UL94V-2

RM dimensions



Technical Data

Protection class: IP67
Operating temperature: $-20^{\circ}\text{C} \sim +80^{\circ}\text{C}$

- DXF/DWG/PDF drawings available on our website.
- Lock nut is not included for RM8S-2.5, 8S-4, and 10S-6 models.
Please drill a proper thread hole into the enclosure for installation.

Product no. / Dimensions

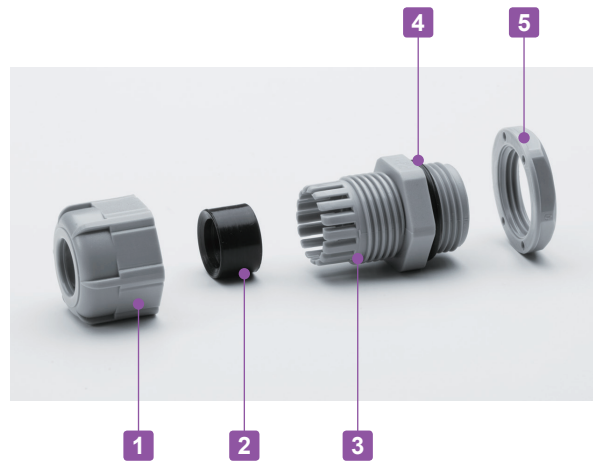
Product no.		G		Cable range		L	H Max	SW	A	Pack of
● Black	● Light gray	Thread size	Mounting hole	Min	Max					
RM8S-2.5B	RM8S-2.5S	M8×1.25	—	1	2.5	7.5	19.5	11.8	13.5	1
RM8L-2.5B	RM8L-2.5S	M8×1.25	$\Phi 8.2$	1	2.5	13	19.5	11.8	13.5	1
RM8S-4B	RM8S-4S	M8×1.25	—	2.5	4	7.5	19.5	11.8	13.5	1
RM8L-4B	RM8L-4S	M8×1.25	$\Phi 8.2$	2.5	4	13	19.5	11.8	13.5	1
RM10S-6B	RM10S-6S	M10×1.5	—	3	6	8	20.5	13	14.4	1
RM10L-6B	RM10L-6S	M10×1.5	$\Phi 10.2$	3	6	13	20.5	13	14.4	1
RM12S-7B	RM12S-7S	M12×1.5	$\Phi 12.2$	3.5	7	9	20.5	16	17.6	1
RM12L-7B	RM12L-7S	M12×1.5	$\Phi 12.2$	3.5	7	14.5	20.5	16	17.7	1
RM16S-8B	RM16S-8S	M16×1.5	$\Phi 16.2$	4	8	9	23.5	19	21	1
RM16L-8B	RM16L-8S	M16×1.5	$\Phi 16.2$	4	8	15	24	19	21	1
RM20S-12B	RM20S-12S	M20×1.5	$\Phi 20.2$	6	12	10	29	24	26.2	1
RM20L-12B	RM20L-12S	M20×1.5	$\Phi 20.2$	6	12	15	28.5	24	26.2	1
RM25L-17B	RM25L-17S	M25×1.5	$\Phi 25.2$	11	17	15	35	33	36.2	1
RM32L-21B	RM32L-21S	M32×1.5	$\Phi 32.3$	13	21	15	38	36	39.5	1
RM40L-27B	RM40L-27S	M40×1.5	$\Phi 40.3$	18	27	18	43.5	45.7	50.5	1
RM50L-38B	RM50L-38S	M50×1.5	$\Phi 50.4$	27	38	20	50.5	60	66.5	1
RM63L-44B	RM63L-44S	M63×1.5	$\Phi 63.4$	37	44	20	53	68	75.5	1
RM8L-2.5B-P	RM8L-2.5S-P	M8×1.25	$\Phi 8.2$	1	2.5	13	19.5	11.8	13.5	100
RM8L-4B-P	RM8L-4S-P	M8×1.25	$\Phi 8.2$	2.5	4	13	19.5	11.8	13.5	100
RM10L-6B-P	RM10L-6S-P	M10×1.5	$\Phi 10.2$	3	6	13	20.5	13	14.4	100
RM12S-7B-P	RM12S-7S-P	M12×1.5	$\Phi 12.2$	3.5	7	9	20.5	16	17.6	100
RM12L-7B-P	RM12L-7S-P	M12×1.5	$\Phi 12.2$	3.5	7	14.5	20.5	16	17.7	100
RM16S-8B-P	RM16S-8S-P	M16×1.5	$\Phi 16.2$	4	8	9	23.5	19	21	100
RM16L-8B-P	RM16L-8S-P	M16×1.5	$\Phi 16.2$	4	8	15	24	19	21	100
RM20S-12B-P	RM20S-12S-P	M20×1.5	$\Phi 20.2$	6	12	10	29	24	26.2	100
RM20L-12B-P	RM20L-12S-P	M20×1.5	$\Phi 20.2$	6	12	15	28.5	24	26.2	100
RM25L-17B-P	RM25L-17S-P	M25×1.5	$\Phi 25.2$	11	17	15	35	33	36.2	100

RPG SERIES

POLYAMIDE CABLE GLAND

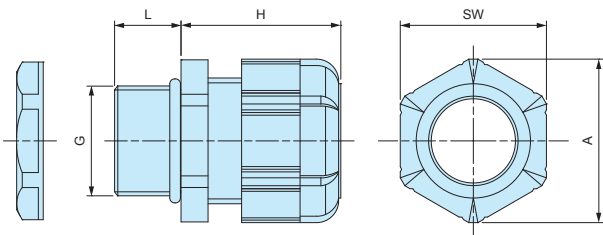


IP67



- Inexpensive cable glands made from polyamide material with PG threading.
- High oil resistant NBR rubber sealing and O-ring.
- IP67 protection class.

RPG dimensions



■ DXF/DWG/PDF drawings available on our website.

Components

■ PA = Polyamide

No.	Part name	Material
1	Cap	PA66 UL94V-2
2	Sealing insert	NBR
3	Connector	PA66 UL94V-2
4	O-Ring	NBR
5	Lock-nut	PA66 UL94V-2

Technical Data

Protection class: IP67
Operating temperature: -20°C ~ +80°C

Product no. / Dimensions

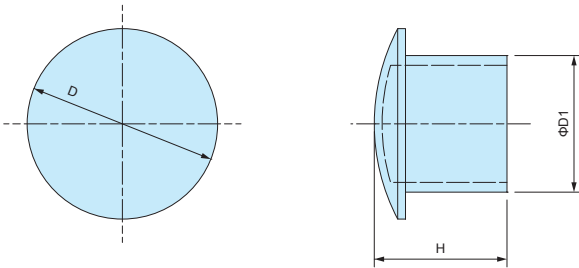
Product no.		G			Cable range		L	H Max	SW	A	Pack of
● Black	● Gray	Thread size	Thread dia.	Mounting hole	Min	Max					
RPG7-7B	RPG7-7G	PG7	12.5	Φ12.7	3	7	9	20.5	16	17.7	1
RPG9-8B	RPG9-8G	PG9	15.2	Φ15.4	4	8	9	23.5	19	21	1
RPG11-10B	RPG11-10G	PG11	18.6	Φ18.8	5	10	9	26	22	24	1
RPG13.5-11B	RPG13.5-11G	PG13.5	20.4	Φ20.6	6	11	10	29	24	26.4	1
RPG16-14B	RPG16-14G	PG16	22.5	Φ22.7	8	14	10	30	26.7	29.5	1
RPG21-18B	RPG21-18G	PG21	28.3	Φ28.5	13	18	12	35	33	36.5	1
RPG29-25B	RPG29-25G	PG29	37	Φ37.2	18	25	12	41.5	42	46.5	1

SP SERIES

SEALING PLUG



SP dimensions



■ Material : Nylon

- Sealing plug for cable glands when not in use.
- Maintain a waterproof seal when plugged into the sealing insert on cable glands.

Product no. / Dimensions

Product no.	D	D1	H	Suitable cable glands	Pack of
SP-12	10.2	6	15.5	RMW12, RM12, RMW16, RM16, RPG7, RPG9	10
SP-16	15.6	9.5	15.5	RMW20, RM20, RPG11, RPG13.5	10
SP-20	19.6	13.5	16.5	RPG16	10
SP-25	24.4	17.5	17	RMW25, RM25, RMW32, RM32, RPG21	5
SP-40	32.5	24.5	17.5	RMW40, RM40, RPG29	5
SP-50	47.2	38.9	17.6	RMW50, RM50	5



- High water protection IP68 (1bar / 30min) polyamide cable gland.
- Wide selection, for M8 ~ M50, suitable for $\Phi 2.5\text{mm} \sim \Phi 42\text{mm}$ cable.
- Super tough and superior heat resistant PA6GF (glass fiber filled PA6) material on cap and connector.
- Safer halogen free, eco-friendly product.

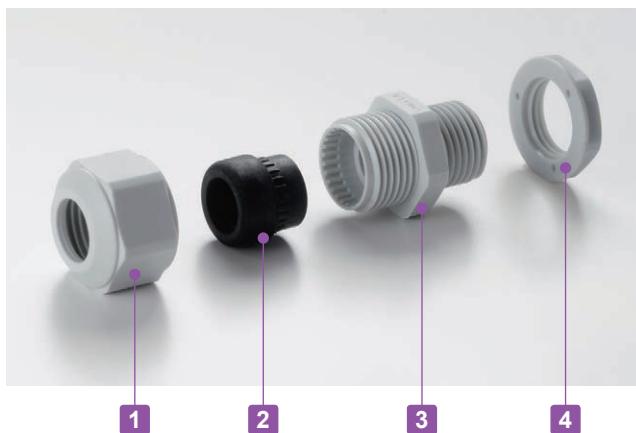
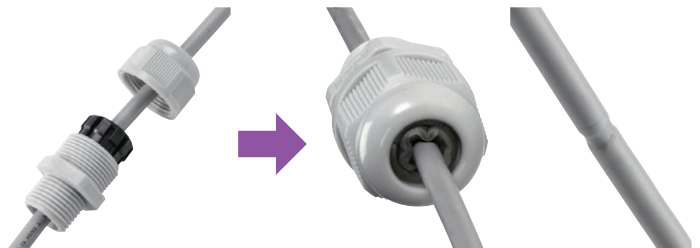
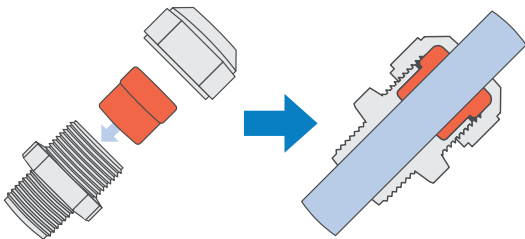
Technical Data
Protection class: IP68 1bar / 30min
Operating temperature: -20°C ~ +100°C
Compliant with EN50262 Ver. A

AG Series

Thicker sealing insert evenly hold a cable by having a larger holding area.
Remains durable even after repeated tightening / loosening.

Lamellar insert type

If over-tightened, it can cause the rubber bush or cable to deform, which can allow water to seep in.



Components

■ PA6GF = Polyamide6 Glass Fiber Filled

No.	Part name	Material
1	Cap	PA6GF
2	Sealing insert	TPE
3	Connector	PA6GF
4	Lock nut	PA6

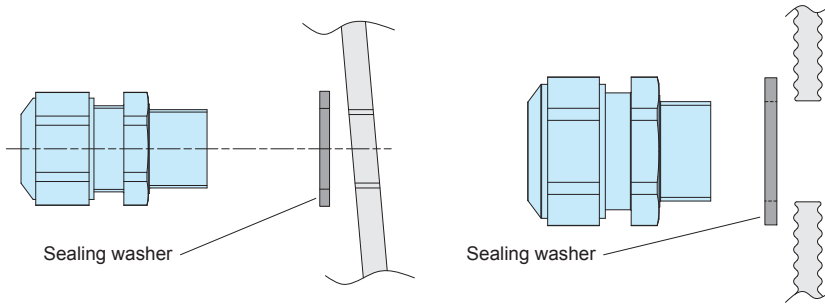
- Lock nut is not included for M8 and M10 sizes.
Please drill a proper thread hole into the enclosure for installation.

- Proper tightening torque varies by each cable diameter.
Tighten the cap until top of the sealing insert forms a small bead between the cap and the cable.



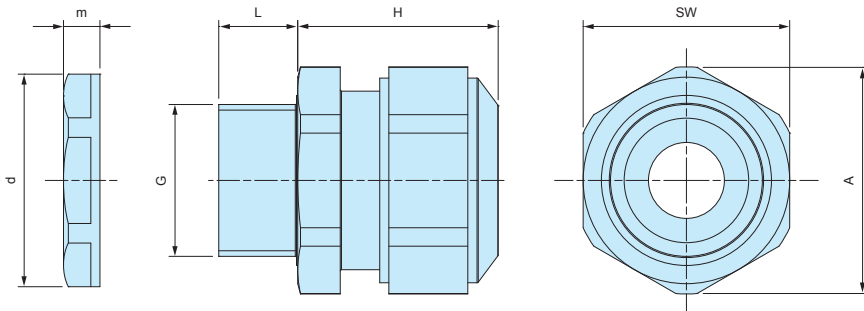
■ No optional sealing washer is required when installing on an even surface because of the built-in waterproof rib.

■ An optional sealing washer is required when installing on an uneven surface. (See page AGP-1 for more information on the optional sealing washer)



AG dimensions

■ DXF/DWG/PDF drawings available on our website.



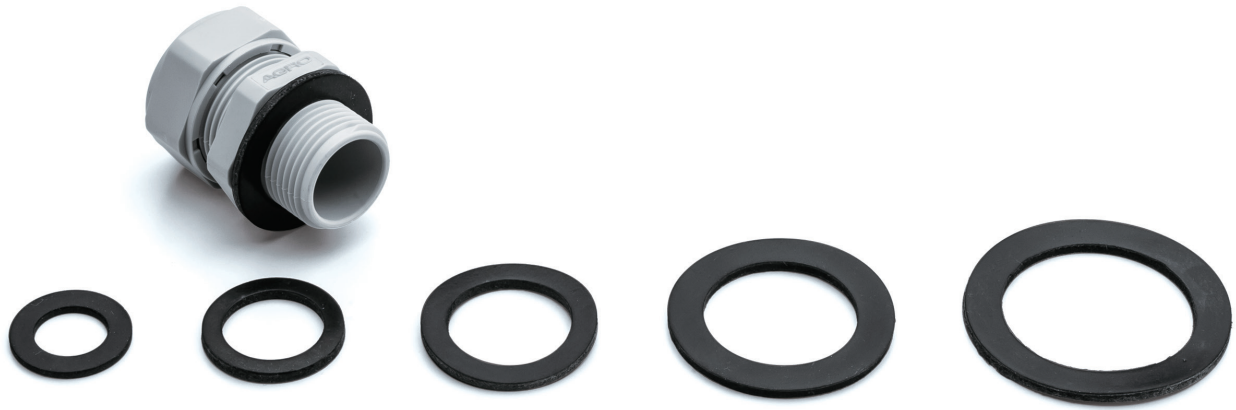
■ Lock nut is not included for M8 and M10 sizes. Please drill a proper thread hole into the enclosure for installation.

Product no. / Dimensions

Product no.		G		Cable range		L	H Max	SW	A	d	m	Pack of
● Black	● Light gray	Thread size	Mounting hole	Min	Max							
AG8-3.5B	AG8-3.5S	M8×1.0	—	2.5	3.5	10	17	12	13.2	—	—	1
AG8-5B	AG8-5S	M8×1.0	—	3.5	4.7	10	17	12	13.2	—	—	1
AG10-6B	AG10-6S	M10×1.0	—	4	6	10	19	15	16.5	—	—	1
AG12-5B	AG12-5S	M12×1.5	Φ12.2	3.5	4.7	12	23.5	17	18.7	18.8	5	1
AG12-6.5B	AG12-6.5S	M12×1.5	Φ12.2	5	6.5	12	23	17	18.7	18.8	5	1
AG12-8B	AG12-8S	M12×1.5	Φ12.2	6.5	7.8	12	23	17	18.7	18.8	5	1
AG16-10B	AG16-10S	M16×1.5	Φ16.2	8	10	12	26	21	23.1	24.3	5	1
AG20-15B	AG20-15S	M20×1.5	Φ20.2	11	15	13	27	27	29.7	29	6	1
AG25-16B	AG25-16S	M25×1.5	Φ25.2	12.5	16	13	34	34	37.4	36	6.7	1
AG25-20B	AG25-20S	M25×1.5	Φ25.2	16	20	13	34	34	37.4	36	6.7	1
AG32-25.5B	AG32-25.5S	M32×1.5	Φ32.3	21	25.5	15	36	41	45.6	46	8	1
AG40-28.5B	AG40-28.5S	M40×1.5	Φ40.3	24	28.5	15	41	50	55.4	53.5	9	1
AG40-33B	AG40-33S	M40×1.5	Φ40.3	28.5	33	15	41	50	55.4	53.5	9	1
AG50-37B	AG50-37S	M50×1.5	Φ50.4	33	37	16	45	60	65.5	66	9.6	1
AG50-42B	AG50-42S	M50×1.5	Φ50.4	37	42	16	45	60	65.5	66	9.6	1

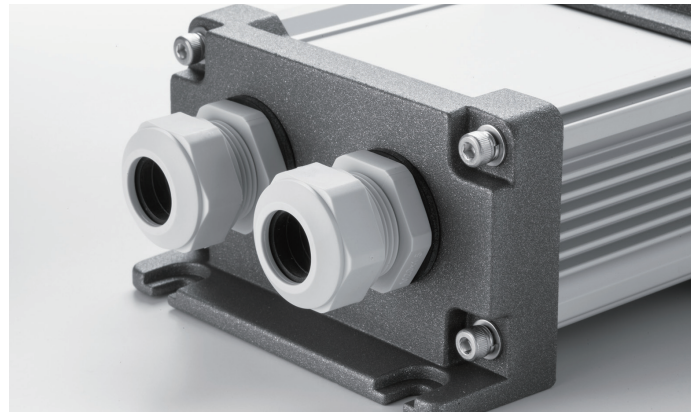
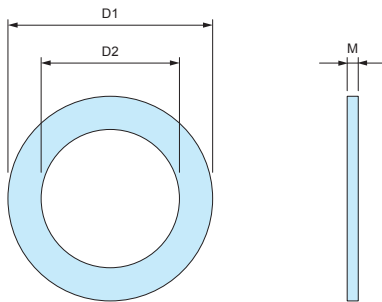
AGP SERIES

SEALING WASHER for AG • AGSP



- Sealing washer for AG series.
- Made from oil resistant NBR material.
- Use in the case of installation on a rough or uneven surfaces.
- Selectable in 7 sizes (from M12 to M50)
- Sealing washer is not necessary for installation on flat surfaces.

AGP Dimensions



- Material : NBR

Product no. / Dimensions

Product no.	D1	D2	M	Suitable cable gland	Pack of
AGP-12	20	12	1.6	AG12	10
AGP-16	23.5	16.5	2.0	AG16	10
AGP-20	29	20	2.0	AG20	10
AGP-25	37	25	2.0	AG25	10
AGP-32	44	32	2.2	AG32	5
AGP-40	52	40	2.2	AG40	5
AGP-50	64	50	3.1	AG50	5

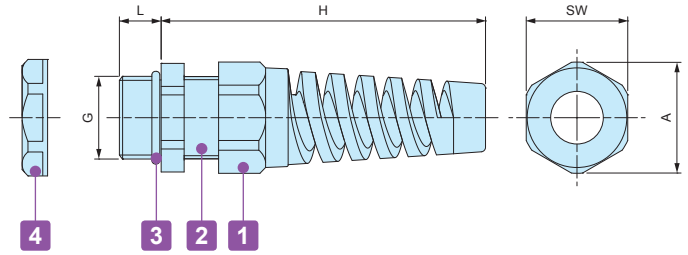
RSP SERIES

STRAIN RELIEF CABLE GLAND



■ DXF/DWG/PDF drawings available on our website.

RSP dimensions



Components

■ PA = Polyamide

No.	Part name	Material
1	Strain relief cap	PA66 (UL94V-2)
-	Sealing insert	NBR
2	Connector	PA66 (UL94V-2)
3	O-ring	NBR
4	Lock- nut	PA66 (UL94V-2)

Technical Data
Protection class : IP67 Temperature range -20°C ~ +80°C

Product no. / Dimensions

Product no.		G		Cable range		L	H Max	SW	A	Pack of
● Black	● Light gray	Thread size	Mounting hole	Min	Max					
RSP12-6B	RSP12-6S	M12×1.5	φ12.2	3.5	6	9	62	16	17	1
RSP16-8B	RSP16-8S	M16×1.5	φ16.2	4	8	9	69	19.5	21	1
RSP20-11B	RSP20-11S	M20×1.5	φ20.2	6	11	10	82	24	26	1
RSP25-16B	RSP25-16S	M25×1.5	φ25.2	11	16	12	102	33	36	1

AGM SERIES

METAL CABLE GLAND

IP68



- High water protection IP68 (1bar / 30min) metal cable gland.
- Wide selection, for M6 ~ M50 and PG7 ~ PG16.
Suitable for $\Phi 2$ mm ~ $\Phi 42$ mm cable.

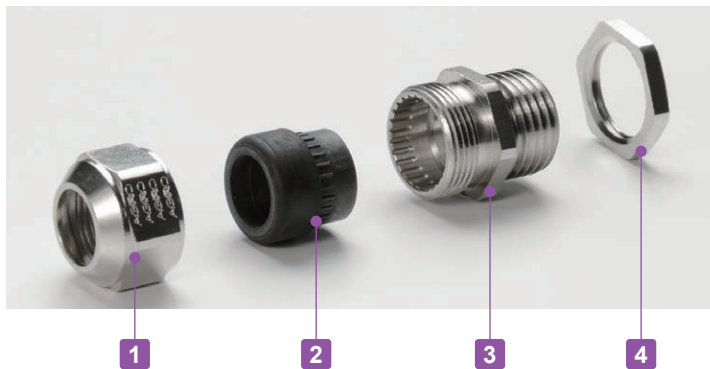
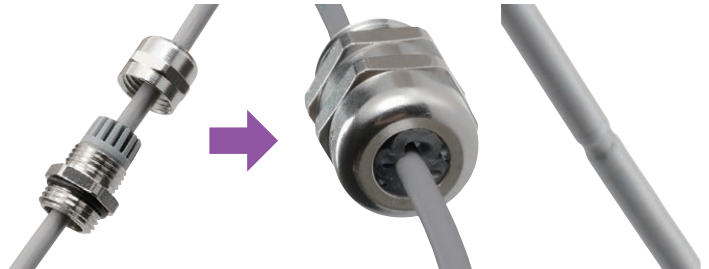
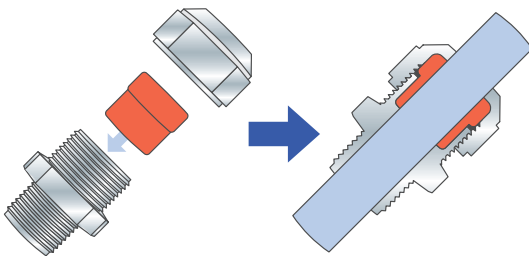
Technical Data
Protection class: IP68 1bar / 30min
Operating temperature: -40°C ~ +100°C
Compliant with EN50262 Ver. A

AGM Series

Thicker sealing insert evenly hold a cable by having a larger holding area. Remains durable even after repeated tightening / loosening.

Lamellar insert type

If over-tightened, it can cause the rubber bush or cable to deform, which can allow water to seep in.



- Proper tightening torque varies by each cable diameter.
Tighten the cap until top of the sealing insert forms a small bead between the cap and the cable.

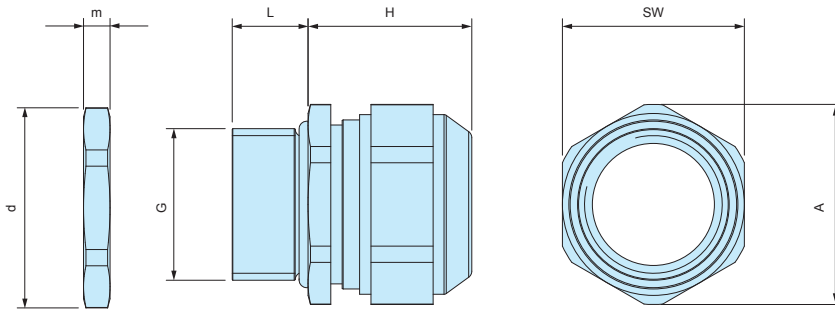


Components

No.	Part name	Material	Color / Finish
1	Cap	Brass	Nickel plated
2	Sealing insert	TPE	Black
3	Connector	Brass	Nickel plated
-	O-ring	NBR	Black
4	Lock nut	Brass	Nickel plated

AGM dimensions

■ DXF/DWG/PDF drawings available on our website.



Product no. / Dimensions

Product no.	G			Cable range		L	H Max	SW	A	d	m	Pack of
	Thread size	Thread outer dia.	Mounting hole	Min	Max							
AGM6-2.5	M6×1.0	—	Φ6.2	2	2.5	8	12	8	9	10	2.8	1
AGM6-3	M6×1.0	—	Φ6.2	2.5	3.0	8	12	8	9	10	2.8	1
AGM6-3.5	M6×1.0	—	Φ6.2	3.0	3.5	8	12	8	9	10	2.8	1
AGM8-5	M8×1.25	—	Φ8.2	3.5	4.7	10	14	11	12	12	3	1
AGM10-6	M10×1.5	—	Φ10.2	4.0	6.0	10	15	13	14.3	14	2.8	1
AGM12-8	M12×1.5	—	Φ12.2	6.5	8.0	10	17	15	16.5	16.5	2.8	1
AGM16-10.5	M16×1.5	—	Φ16.2	8.0	10.5	10	21	18	20	21	3	1
AGM20-15	M20×1.5	—	Φ20.2	11.0	15.0	10	23	24	26.5	26.5	3.5	1
AGM25-20	M25×1.5	—	Φ25.2	16.0	20.0	11	28	30	33	33	4	1
AGM32-25.5	M32×1.5	—	Φ32.3	21.0	25.5	13	29.5	36	39.5	39.5	4	1
AGM40-28.5	M40×1.5	—	Φ40.3	24.0	28.5	13	32	46	50.7	51	5	1
AGM40-33	M40×1.5	—	Φ40.3	28.5	33.0	13	32	46	50.7	51	5	1
AGM50-37	M50×1.5	—	Φ50.4	33.0	37.0	14	34	55	59.7	60	5.5	1
AGM50-42	M50×1.5	—	Φ50.4	37.0	42.0	14	34	55	59.7	60	5.5	1
AGM7PG-5	PG7	12.5	Φ12.7	3.5	5.0	6	17	15	16.5	16.5	3	1
AGM9PG-6	PG9	15.2	Φ15.4	4.5	6.0	6	20	18	20	20	3	1
AGM11PG-8.5	PG11	18.6	Φ18.8	5.5	8.5	6	21	21	23	23.5	3	1
AGM13PG-11	PG13	20.4	Φ20.6	8.0	11.0	6	21	24	26.5	25.5	3	1
AGM16PG-14.5	PG16	22.5	Φ22.7	11	14.5	6	23	24	26.5	29	3	1

AGE SERIES

EMC SHIELDED CABLE GLAND

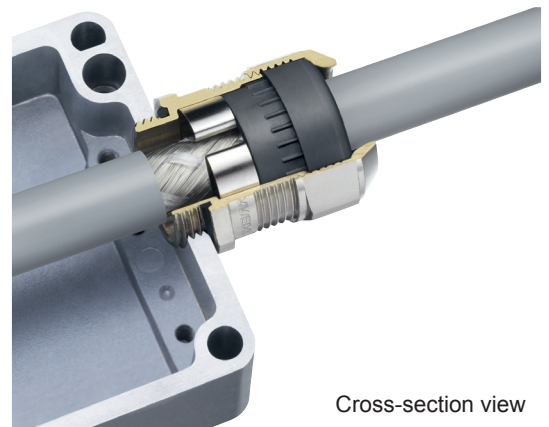
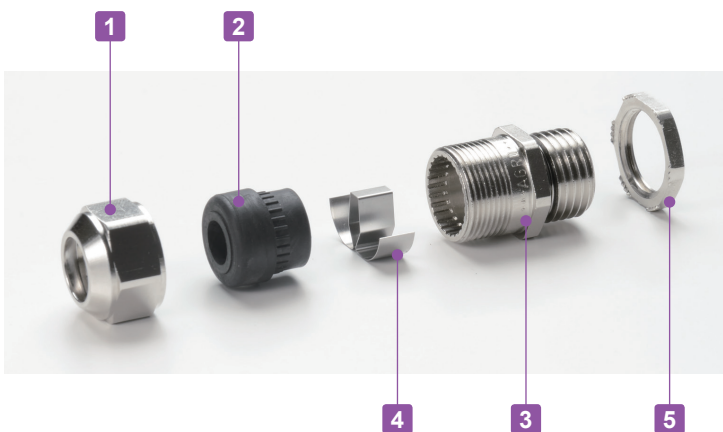
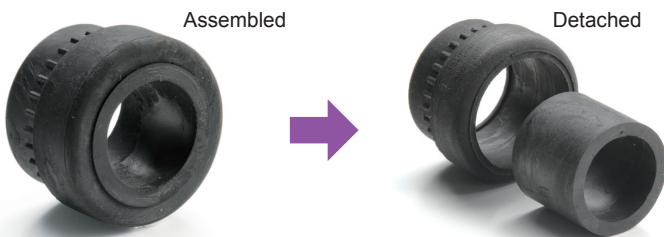


- Optimal contact spring provides excellent shield contact and the smallest possible transfer impedance.
- Clawed lock nut makes a good EMC shield contact possible on conductive enclosures.
- Shape of the contact spring not only allows for a large clamping range to the shield but also enables easy and faster installation and re-installation.
- 2-piece detachable sealing inserts can be adapted to the wider existing cable diameter on site.
(AGE12 available only with 1-piece sealing insert)

Technical Data	
Protection class :	IP68 2bar / 30min, IP69K
	20m depth immersion in 30 minutes
Operating temperature :	-60°C ~ +100°C
	Compliant with IEC62444 Var. A

Cable Range

No.	Sealing insert type	
	Assembled	Detached
AGE16-10.5	Φ 6 ~ Φ 7.5	Φ 7.5 ~ Φ10.5
AGE20-15	Φ 8 ~ Φ10.5	Φ10.5 ~ Φ15
AGE25-20	Φ12.5 ~ Φ15	Φ15 ~ Φ20
AGE32-25	Φ17 ~ Φ20	Φ20 ~ Φ25

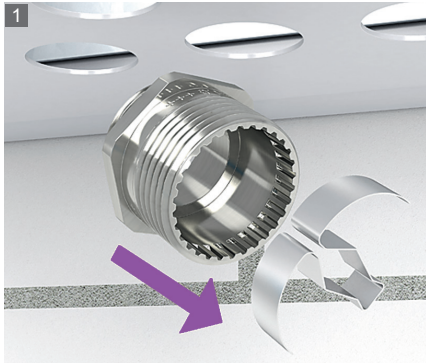


Cross-section view

Components

No.	Part name	Material	Color / Finish
1	Cap	Brass	Nickel plated
2	Sealing insert	TPE	Black
3	Connector	Brass	Nickel plated
4	Contact spring	Stainless steel	Unfinished
-	O-Ring	NBR	Black
5	Lock-nut	Brass	Nickel plated

INSTALLATION Instruction



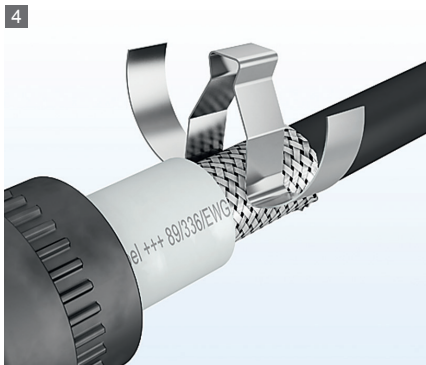
1 Remove the contact spring from the connector.



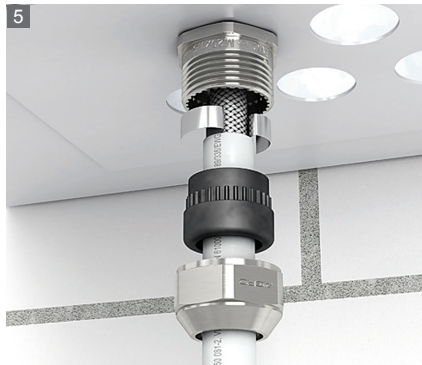
2 Install the connector onto the enclosure.



3 Strip the cable.



4 Clip the contact spring on the shielded cable.



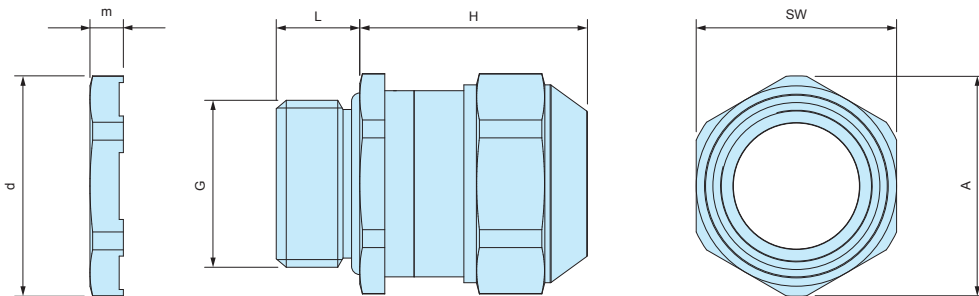
5 Pass the cable through the Sealing insert and cap.



6 Tighten the cap to complete.

AGE dimensions

■ DXF/DWG/PDF drawings available on our website.



Product no. / Dimensions

Product no.	G		Cable range		L	H Max	SW	A	d	m	Pack of
	Thread size	Mounting hole	Min	Max							
AGE12-5	M12×1.5	Φ12.2	3.5	5.0	10	22	15	16.5	16.5	3.5	1
AGE12-6.5	M12×1.5	Φ12.2	5.0	6.5	10	22	15	16.5	16.5	3.5	1
AGE16-10.5	M16×1.5	Φ16.2	6.0	10.5	10	25	18	20	21	3.5	1
AGE20-15	M20×1.5	Φ20.2	8.0	15.0	10	27	24	26.5	26.5	4	1
AGE25-20	M25×1.5	Φ25.2	12.5	20.0	11	33	30	33	33	4	1
AGE32-25	M32×1.5	Φ32.3	17.0	25.0	13	34	36	39.5	39.5	5	1

AGH SERIES

HEAT RESISTANT METAL CABLE GLAND

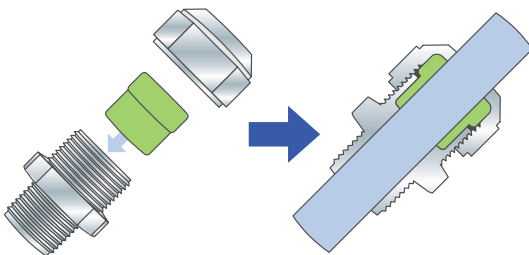


- Heat resistant sealing insert made of FPM material. Resistant up to 200°C
- IP68 1bar / 30min high performance waterproof cable gland.

Technical Data
Protection class : Protection class IP68 1bar / 30min 10m depth immersion in 30 minutes
Operating temperature : -40°C ~ +200°C
Compliant with EN50262 Var. A

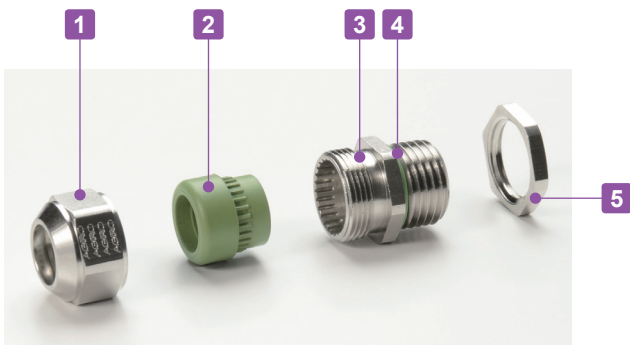
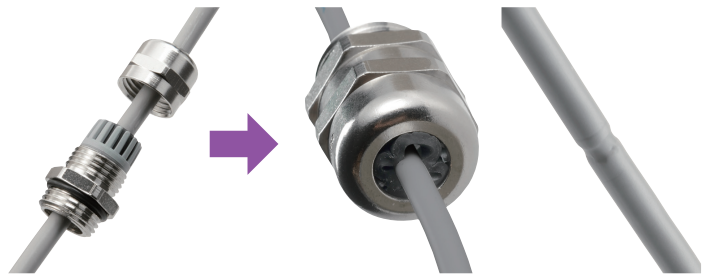
AGH series

Thicker sealing insert evenly clasp onto the cable by having a larger area.
Remains durable even after repeated tightening / loosening.

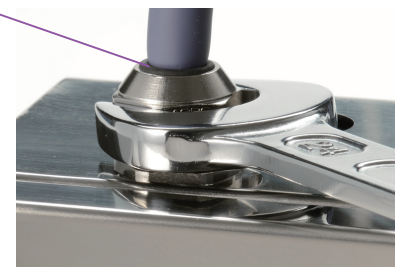


Conventional cable gland

If over-tightened, it can cause the rubber bush or cable to deform,
which may allow water to seep in.



- Tightening torque varies depending on the cable diameter.
Tighten until the sealing insert protrudes slightly from the cap.

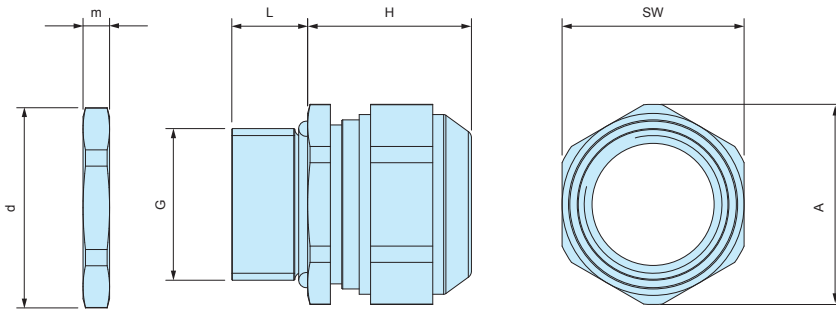


Components

No.	Part name	Material	Color / Finish
1	Cap	Brass	Nickel plated
2	Sealing insert	FPM	Green
3	Connector	Brass	Nickel plated
4	O-Ring	FPM	Green
5	Lock-nut	Brass	Nickel plated

AGH dimensions

■ DXF/DWG/PDF drawings available on our website.

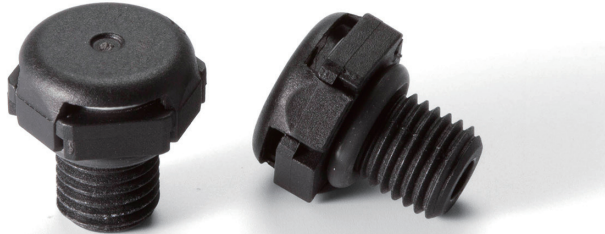


Product no. / Dimensions

Product no.	G		Cable range		L	H Max	SW	A	d	m	Pack of
	Thread size	Mounting hole	Min	Max							
AGH10-6	M10×1.5	Φ10.2	4.0	6.0	10	15	13	14.3	14.2	3	1
AGH12-8	M12×1.5	Φ12.2	6.5	8.0	10	17	15	16.5	16.5	3	1
AGH16-10.5	M16×1.5	Φ16.2	8.0	10.5	10	20	18	20	21	3	1
AGH20-15	M20×1.5	Φ20.2	11.0	15.0	10	23	24	26.5	26.3	3.5	1
AGH25-20	M25×1.5	Φ25.2	16.0	20.0	11	27	30	33	33	4	1
AGH32-25.5	M32×1.5	Φ32.3	21.0	25.5	13	28.5	36	39.7	39.7	4	1

PMF-6B

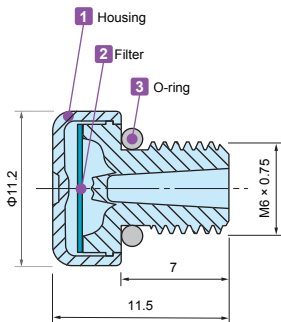
SMALL PROTECTIVE VENT



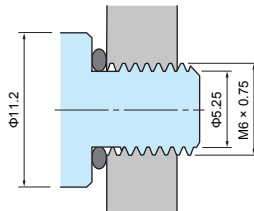
Application example

- Small and screw-in protective vent suitable for compact, and hand-held type devices.
- IP68 protection class (water depth 2 meters / 60 mins) and -40°C ~ +150°C operating temperature range allows it to be used in various environments.
- Suitable for enclosures with capacities of 2.0 litres or under.
- For outdoor use, installation on the side of the enclosure unit is recommended.

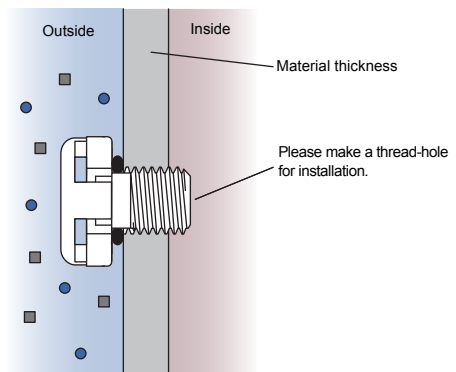
PMF-6B dimensions



Hole milling drawings



Installation drawings



Technical Data

Airflow	300ml / min (dp = 7 kPa)
Recommended Torque	0.2 ~ 0.4 N • m
Certifications	IEC60529 (Protection class test) : IP66 • IP67 • IP68 IEC60068-2-1, 2, 14 (Heat resistance test) : -40°C ~ +150°C IEC60068-2-78 (Humidity test) : 85°C • 85% humidity • 1000 hours IEC60068-2-64 (Vibration test) UL94V-0 (Flame-resistant) • UL746C f1

Product no. / Dimensions

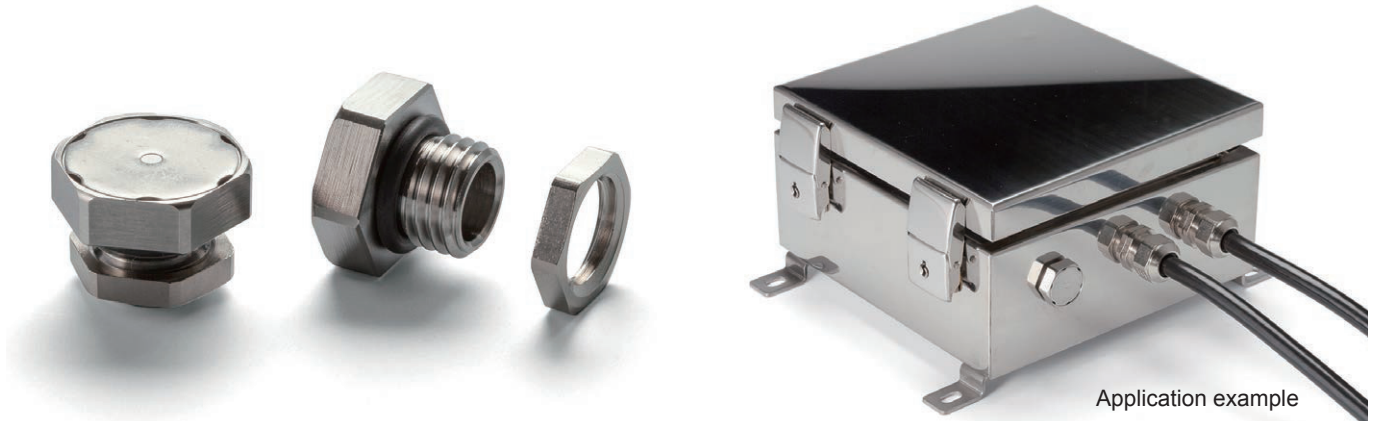
Product no.	Material			G	
● Black	1 Housing	2 Filter	3 O-ring	Thread size	Mount hole
PMF-6B	PA6 (Body) • PA66 (Cap)	PTFE	Silicone	M6 x 0.75	—

PMF-12M

STAINLESS STEEL PROTECTIVE VENT

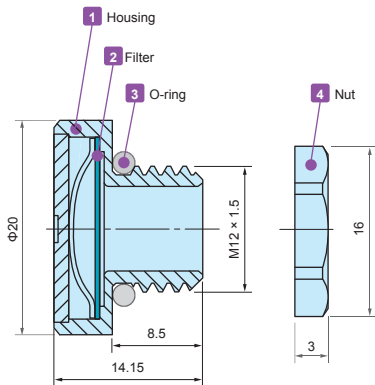
★ ★ NEW

IP68 IP69K

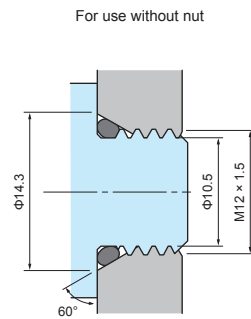


- Stainless steel protective vent for superior durability and chemical resistance.
- IP68 protection class (water depth 2 meters / 60 mins) and -40°C ~ +125°C operating temperature range allows it to be used in various environments.
- Suitable for enclosures with capacities of 20 liters or under.
- For outdoor use, installation on the side of the enclosure unit is recommended.

PMF-12M dimensions

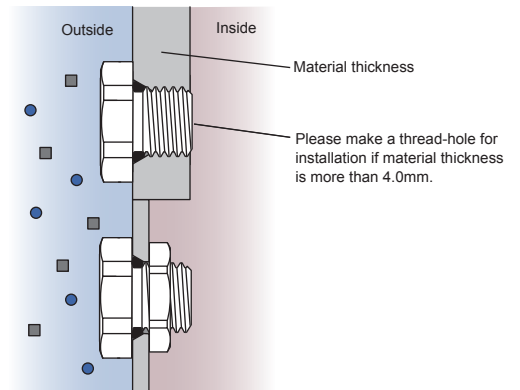


Hole milling drawings



■ While Φ12.2mm through-hole is sufficient for installation, 60° angle tapered hole is recommended to prevent deformation of the O-ring.

Installation drawings



■ If used with a lock nut, material thickness should not exceed 4.0mm.

Technical Data

Airflow	1600ml / min (dp = 7 kPa)
Recommended Torque	0.6 ~ 1.2 N · m
Certifications	IEC60529 (Protection class test) : IP66 • IP67 • IP68 • IP69K IEC60068-2-1, 2, 14 (Heat resistance test) : -40°C ~ +125°C IEC60068-2-78 (Humidity test) : 85°C • 85% humidity • 1000 hours IEC60068-2-64 (Vibration test)

Product no. / Dimensions

Product no.	Material				G		Nut SW
	1 Housing	2 Filter	3 O-ring	4 Nut	Thread size	Mount hole	
PMF-12M	Stainless steel	PTFE	Silicone	Brass • Nickel plated	M12 x 1.5	Φ12.2	15

PMF SERIES

PROTECTIVE VENT

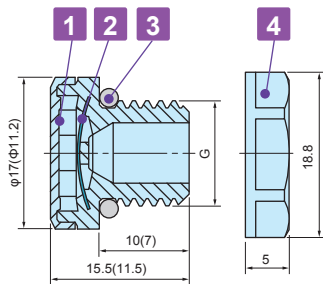


Application example

- Protective vents prevents the ingress of a variety of contaminants, such as water, dust and other particules while allowing water vapor molecules to diffuse through the microporous membrane.
- Equalize pressure and reduce condensation by allowing airflow into and out of sealed enclosures.
- With an IP68 protection class (water depth 2 meters / 60 mins) and -40°C ~ +125°C operating temperature range, it can be used in harsh environmental conditions.
- PMF-6B works up to 2 liters capacity enclosures. Whereas, PMF-12 models work for up to 5 liters and PMF-12HS models work for up to 50 liters.
- For outdoor use, more efficient to install on the side(s).
- Recommended to use for industrial, electric, electronics purpose only.

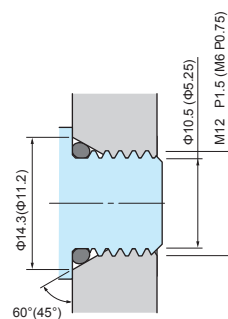
PMF dimensions

■ Drawings below are reference examples only.
DXF/DWG/PDF drawings available on our website.



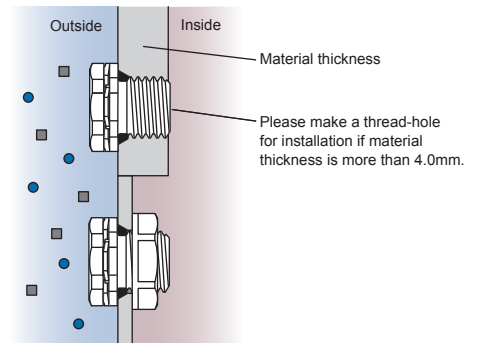
() values are for PMF-6B.
Lock nut is not available for PMF-6B.

Hole milling drawings



■ While $\Phi 12.2\text{mm}$ through-hole is sufficient for installation, 60° angle tapered hole is recommended to prevent deformation of the O-ring.

Installation drawings



■ If used with a lock nut, material thickness should not exceed 4.0mm, and $\Phi 12.2\text{mm}$ through-hole is sufficient.

Technical Data

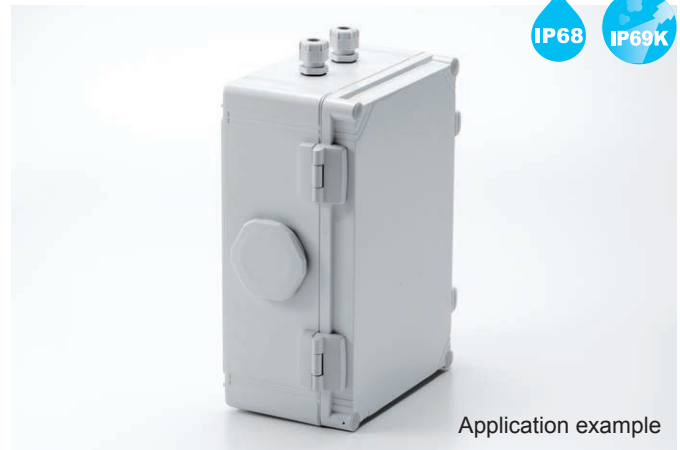
Product no.	PMF-6B	PMF-12	PMF-12HA
Airflow	300ml / min (dp = 7 kPa)	450ml / min (dp = 7 kPa)	4000ml / min (dp = 7 kPa)
Recommended Torque	0.2 ~ 0.4 N · m	0.6 ~ 0.8 N · m	0.6 ~ 0.8 N · m
Certifications	IEC60529 (Protection class test): IP66 • IP67 • IP68 • IP69K (Not for PMF-6B) IEC60068-2-1, 2, 14 (Heat resistance test): - 40°C ~ +125°C (~+150°C for PMF-6B) IEC60068-2-78 (Humidity test): 85°C • 85% humidity • 1000 hours IEC60068-2-64 (Vibration test) (PMF-6B only) UL94V-0 (Flame-resistant) • UL746C f1		

Product no. / Dimensions

Product no.		Material				G		Nut SW
● Light gray	● Black	1 Housing	2 Filter	3 O-ring	4 Lock nut	Thread size	Mount hole	
—	NEW PMF-6B	PA6 (Body) PA66 (Cap)	PTFE	Silicone	n/a	M6 x 0.75	—	—
PMF-12S	PMF-12B	PA6	PTFE	Silicone	PA6 (UL94V-2)	M12 x 1.5	$\Phi 12.2$	17
PMF-12HAS	PMF-12HAB	PA6	PTFE	Silicone	PA6 (UL94V-2)	M12 x 1.5	$\Phi 12.2$	17

PMF-32 SERIES

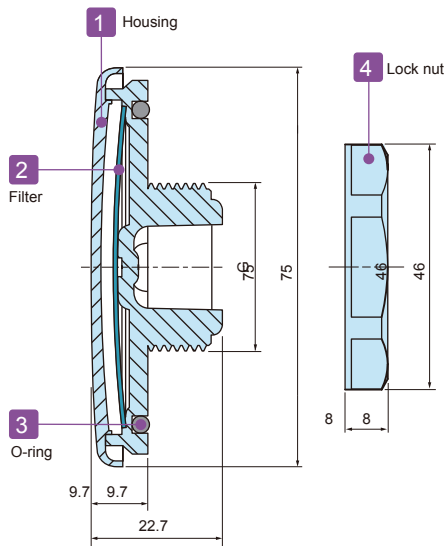
LARGE PROTECTIVE VENT



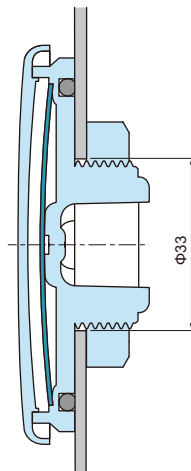
Application example

- Maintaining high airflow for large enclosures in an outdoor environment.
- Equalize pressure and reduce condensation by allowing airflow into and out of sealed enclosures.
- Simple and flat design allows it to be used on a wide variety of enclosure types.
- IP68 protection class rated with an operating temperature range of -40°C ~ +125°C allows it to be used in harsh environments.
- Compliant with Solar industry testing IEC62108 standards.
- For superior performance, installation on the side of the enclosure is recommended.

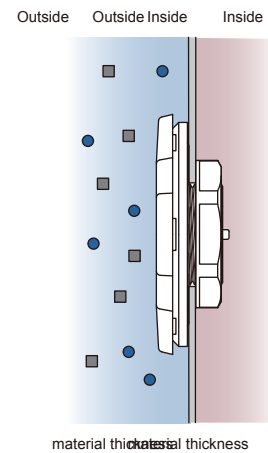
PMF-32 Dimensions



Hole milling drawings



Installation drawings



- If used with a lock nut, material thickness should not exceed 5.0mm.

Technical Data

Airflow	16 ℓ / min (dp = 12 mbar)
Recommended torque	5 N · m
Certifications (without nut)	IEC529, 2nd (Protection class test): IP66 • IP67 • IP68 • IP69K IEC60068-2-1, 2, 14 (Heat resistance test): - 40°C ~ +125°C IEC60068-2-78 (Humidity test): 85°C • 85% humidity • 1000 hours IEC62108.10.8 • 9 (Solar industry test): Freezing - high temperature test • Hail impact test UL94V-0 (Flame-resistant) • UL746C

Product no. / Dimensions

Product no.	Material				G		Nut SW
	1 Housing	2 Filter	3 O-ring	4 Lock nut	Thread size	Mount hole	
PMF-32S	PC	PTFE	Silicone	PA6	M32×1.5	Φ33	41.5