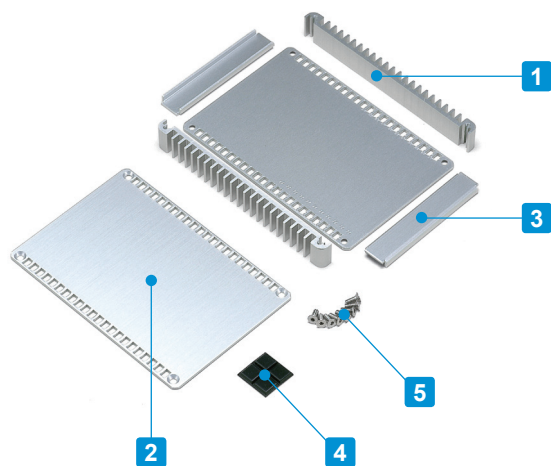


- Heat dissipation and cooling via the utilization of extruded aluminium heat-sink side plates.
- Rounded corners gives it an elegant feel.
- Aluminium extrusion parts provides high structural durability.
- Suitable for use as small-type fanless PC, digital audio equipment, and so on.
- Available in both Silver and Black color types.

- Optional aluminium isolation feet, AFS and AFM series are available. See page AFS•AFM-1 ~ AFS•AFM-2 for more details.



Application example



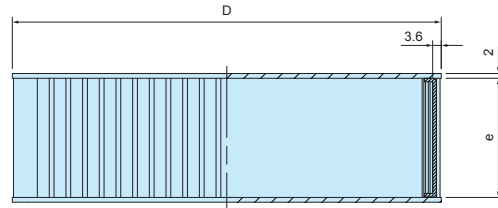
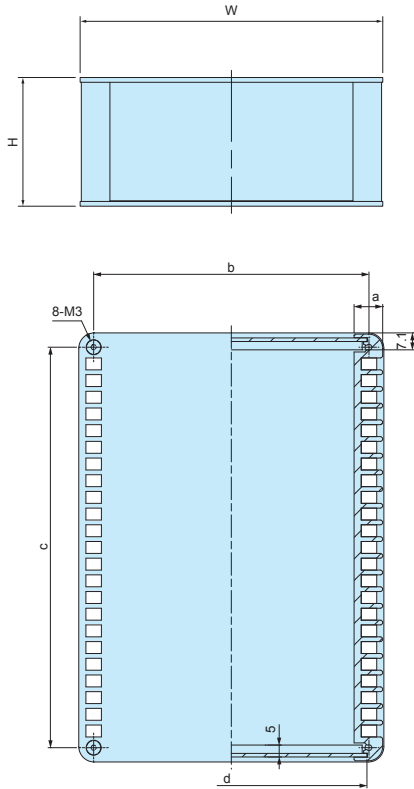
Included screws
 Enclosure (Silver) M3-8 Hexagonal countersunk : Stainless steel : Unfinished x 8 pcs
 Enclosure (Black) M3-8 Hexagonal countersunk : Steel : Black trivalent chromate x 8 pcs
 ※Hexagonal wrench included

Components

No.	Part name	Pcs	Material	Color / Finish
1	Heat-sink side plate	2	Extruded aluminium A6063S-T5	Silver • Black / Anodized
2	Top • Bottom cover	2	Aluminium A1050P t=2.0	Silver • Black / Hairline brushed & Anodized
3	Front • Rear panel	2	Aluminium A1050P t=1.5	Silver • Black / Hairline brushed & Anodized
4	Rubber feet	1 set	Polyurethane	Black
5	Screw	8	Stainless steel (SS color type) Steel (BB color type)	Unfinished Black trivalent chromate (Steel)

HIT dimensions

■ Drawings below are reference examples only.
DXF/DWG/PDF drawings available on our website.



APPLICATION EXAMPLE

FIBER OPTICS EXTENSION UNIT

Product by Sanritz Automation (Japan)



AUDIO POWER SUPPLY for MacBook

Product by AY-densi (Japan)



Product no. / Dimensions

■ Thermal resistance calculation is based on the fins being perpendicular to the ground with temperature at 60°C.

Product no.		W	H	D	a	b	c	d	e	※ Thermal resistance rate (°C/W)	Weight (g)
● Silver	● Black										
HIT 9-2-13SS	HIT 9-2-13BB	89	20	130	8	81	118.6	78.8	16	9.14	183
HIT 9-4-13SS	HIT 9-4-13BB	89	40	130	8	81	118.6	78.8	36	5.6	255
HIT13-3-13SS	HIT13-3-13BB	130	30	130	8	122	118.6	119.8	26	6.82	289
HIT13-5-13SS	HIT13-5-13BB	130	50	130	8	122	118.6	119.8	46	4.83	370
HIT18-4-13SS	HIT18-4-13BB	180	40	130	8	172	118.6	169.8	36	5.6	414
HIT18-6-13SS	HIT18-6-13BB	180	60	130	8	172	118.6	169.8	56	4.29	503
HIT13-3-18SS	HIT13-3-18BB	128	30	180	12	115.5	168	113.8	26	4.38	411
HIT13-5-18SS	HIT13-5-18BB	128	50	180	12	115.5	168	113.8	46	3.1	535
HIT17-4-18SS	HIT17-4-18BB	174	40	180	12	161.5	168	159.8	36	3.6	578
HIT17-6-18SS	HIT17-6-18BB	174	60	180	12	161.5	168	159.8	56	2.76	719
HIT23-5-18SS	HIT23-5-18BB	228	50	180	12	215.5	168	213.8	46	3.1	772
HIT23-7-18SS	HIT23-7-18BB	228	70	180	12	215.5	168	213.8	66	2.5	928

AFS•AFM SERIES

ALUMINIUM ISOLATION FEET



- The surface treatment and finish allows the feet to exhibit a polished and luxurious feel.
- Non-slip NBR O-ring is present on the underside of the feet.
- Suitable for use in audio devices.

Available in both internal and external screw installation type.

External type / Shot blast finish (AFS series)



The external type is secured via screws from the underside / base of the feet to the enclosure. A thread hole is required for direct securing, while a circular hole is required for lock nut securing.

The shot blast finish provides a high quality surface finish look, and pairing well with various types of enclosure surfaces.

Available in both silver and black.

Internal type / Reflective finish (AFM series)



The internal type is secured via screws from the inside of the enclosure. A circular hole is required for securing into the pre-made threads in the top-side of the feet.

The reflective surface finish adds a high quality touch to the unit, allow it to have a luxurious look.

Available only in Silver.

Accessories (Optional parts)

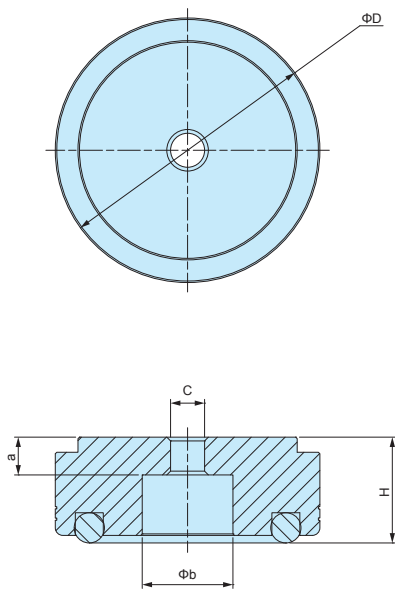
Product no. / Dimensions

Product no.		D	H	Installation type	C	a	b	Pack of
● Silver	● Black							
AFS20- 8S	AFS20- 8B	20	8	External	Φ3.4	3	9	4
AFS25-10S	AFS25-10B	25	10	External	Φ4.5	4	12	4
AFS30-12S	AFS30-12B	30	12	External	Φ4.5	5	12	4
AFS35-14S	AFS35-14B	35	14	External	Φ4.5	5	12	4
AFS39-16S	AFS39-16B	39	16	External	Φ4.5	5	15	4
AFS44-18S	AFS44-18B	44	18	External	Φ4.5	5	20	4
AFS55-20S	AFS55-20B	55	20	External	Φ5.5	5	20	4
AFM15- 7S	-	15	7	Internal	M3	4	-	4
AFM20- 9S	-	20	9	Internal	M3	5	-	4
AFM25-12S	-	25	12	Internal	M4	7	-	4
AFM30-14S	-	30	14	Internal	M4	8	-	4
AFM35-16S	-	35	16	Internal	M4	10	-	4
AFM39-18S	-	39	18	Internal	M4	10	-	4
AFM44-20S	-	44	20	Internal	M4	10	-	4
AFM55-22S	-	55	22	Internal	M5	15	-	4

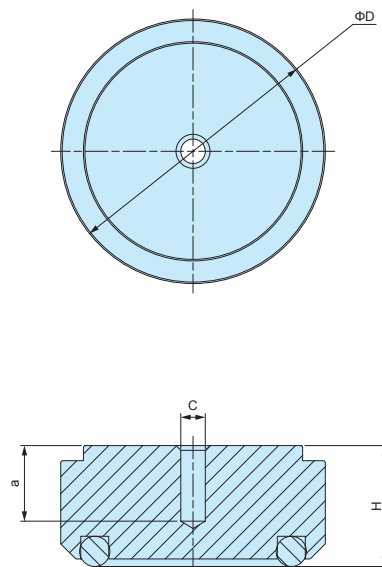
AFS • AFM dimensions

■ Drawings below are reference examples only.
DXF/DWG/PDF drawings available on our website.

AFS SERIES



AFM SERIES



APPLICATION EXAMPLE

