

EXH HEAT-SINK ALUMINIUM ENCLOSURE

EXH series is an aluminium enclosure with a highly efficient heat-sink top cover.

Suitable to be used as fanless PC, power amplifier, and power supply box where heat dissipation is required.

Wide range, 30 different sizes available.



Waved surface heat-sink fins for maximum cooling performance!

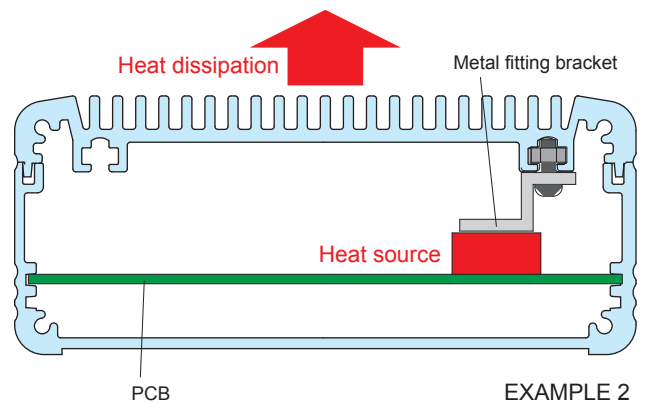
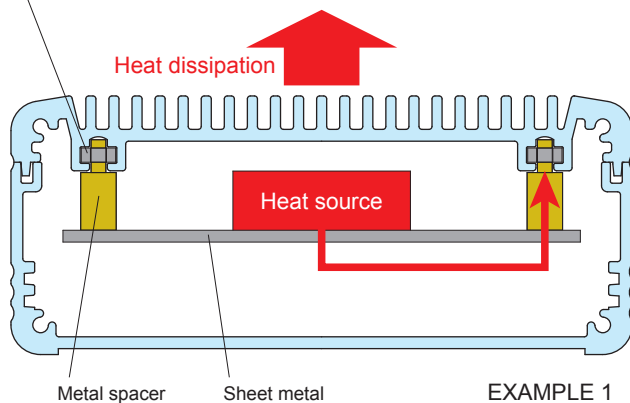
- Each heat-sink fin has a waved surface construction for maximum cooling performance.

Waved Surface



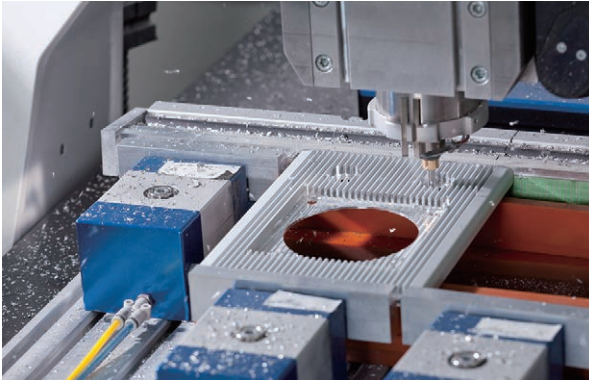
HEAT DISSIPATION EXAMPLE

- EXH series has grooves to put M3 nuts inside its heat-sink cover. It is possible to construct a heat conduction route from your heat source to heat-sink cover easily for better heat dissipation performance.



CUSTOMIZATION EXAMPLE

CNC MACHINING on HEAT-SINK COVER



Heat-sink plates can be customized with our high speed CNC machines.



PIN SHAPED FIN CUSTOMIZATION



Pin shaped heat-sink fin can be customized for better cooling performance.

COLOR ANODIZING Various colors, such as blue, red, orange, green or purple can be anodized as per your requirements.



■ Not all colors and shades of colors are possible.

CUSTOM LENGTH AVAILABLE



APPLICATION EXAMPLE

STABILIZED DIODE LASER Product by Spectra Quest Lab. (Japan)

Controller



Laser Head



IOT GATEWAY

Product by VNPT Technology (Vietnam)



ULTRASONIC NOZZLE CLEANER

Product by ESER Corporation (Japan)



TAKACHI PF plastic enclosure is also adopted.

ALL-IN-ONE EDGE NODE

Product by SHINWA (Japan)



4 CHANNEL POWER SWITCHING EDGE NODE

Product by SHINWA (Japan)

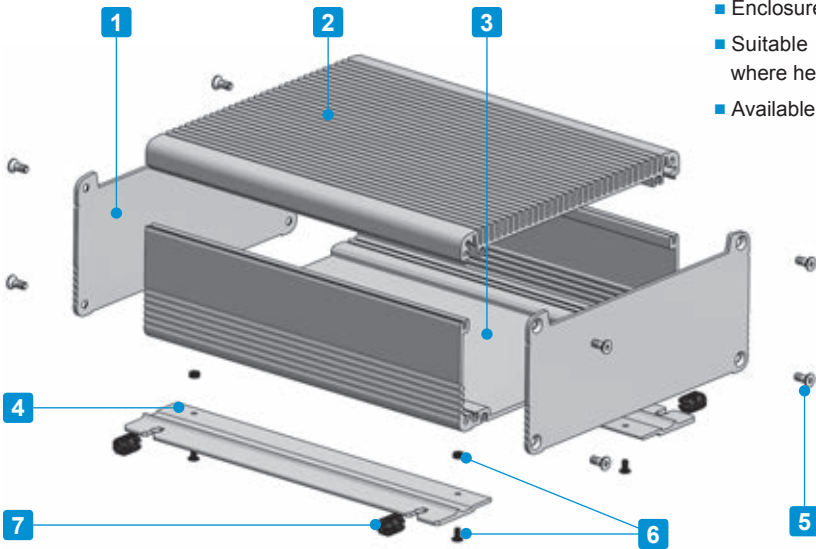
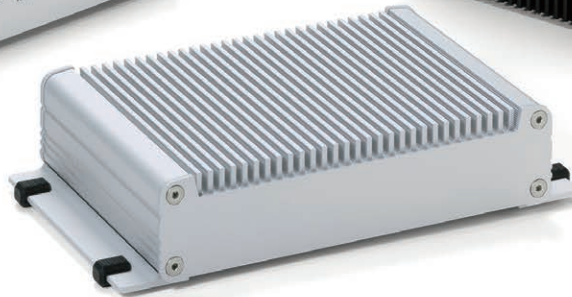


AUDIO AMPLIFIER





Heat Resistant



- Equipped with flanged bracket for easy wall mounting.
- Enclosure equipped with a highly efficient heat-sink top cover.
- Suitable to be used as a fanless PC, amplifier, power supply etc. where heat dissipation is required.
- Available in 28 different sizes and 4 different color combinations.

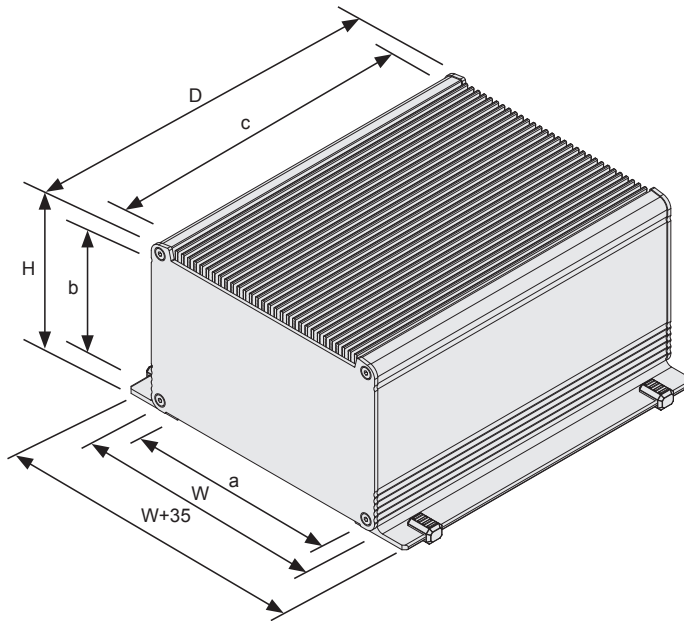
Components

No.	Part name	Pcs	Material	Color / Finish
1	Panel	2	Aluminium A1050P	Silver • Black / Anodized
2	Heat-sink top cover	1	Extruded aluminium A6063S-T5	Silver • Black / Anodized
3	Bottom frame	1	Extruded aluminium A6063S-T5	Silver • Black / Anodized
4	Flange bracket	2	Extruded aluminium A6063S-T5	Silver • Black / Anodized
5	Panel screw (Hexagonal)	8	Stainless steel	Unfinished
6	Flange screw	4	Steel	Trivalent chromate
7	Rubber feet	4	Silicone	Black

Color Type

Code	S S Silver / Silver	S B Silver / Black	B S Black / Silver	B B Black / Black
Color				

DXF/DWG/PDF drawings available on our website.



Included screws
 EXHF19-□ models : M4-10 x 8 pcs
 EXHF23-□ models : M5-10 x 8 pcs
 ※Hexagonal wrench included.

- ※Thermal resistance test condition
- Ambient air cooling
 - Heat-sink fins are set perpendicular to the ground with temperature at 60°C.
 - Anodized aluminum extrusion
 - Heat source is applied on the opposite side (inner side) of the fins.

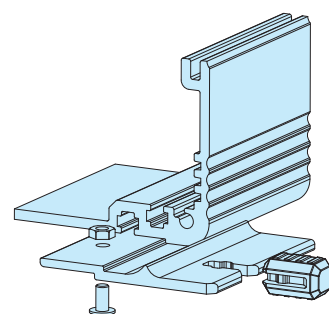
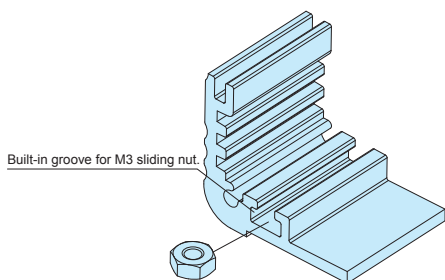
Product no. / Dimensions

Please suffix color code at the end of the product number.

Product no.	External dimensions			Internal dimensions			※Thermal resistance rate (°C/W)
	W	H	D	a	b	c	
NEW EXHF19- 4-13□□	186.5	45.25	125	170	26.85	120	1.92
NEW EXHF19- 4-18□□	186.5	45.25	177	170	26.85	172	1.56
NEW EXHF19- 4-23□□	186.5	45.25	230	170	26.85	225	1.32
NEW EXHF19- 4-29□□	186.5	45.25	285	170	26.85	280	1.15
NEW EXHF19- 6-13□□	186.5	63.25	125	170	44.85	120	1.92
NEW EXHF19- 6-18□□	186.5	63.25	177	170	44.85	172	1.56
NEW EXHF19- 6-23□□	186.5	63.25	230	170	44.85	225	1.32
NEW EXHF19- 6-29□□	186.5	63.25	285	170	44.85	280	1.15
NEW EXHF19- 8-13□□	186.5	83.25	125	170	64.85	120	1.92
NEW EXHF19- 8-18□□	186.5	83.25	177	170	64.85	172	1.56
NEW EXHF19- 8-23□□	186.5	83.25	230	170	64.85	225	1.32
NEW EXHF19- 8-29□□	186.5	83.25	285	170	64.85	280	1.15
NEW EXHF19-11-13□□	186.5	108.25	125	170	89.85	120	1.92
NEW EXHF19-11-18□□	186.5	108.25	177	170	89.85	172	1.56
NEW EXHF19-11-23□□	186.5	108.25	230	170	89.85	225	1.32
NEW EXHF19-11-29□□	186.5	108.25	285	170	89.85	280	1.15
NEW EXHF23- 5-15□□	232	53.5	153	215	34.85	147	1.47
NEW EXHF23- 5-21□□	232	53.5	213	215	34.85	207	1.2
NEW EXHF23- 5-27□□	232	53.5	273	215	34.85	267	1.03
NEW EXHF23- 5-33□□	232	53.5	333	215	34.85	327	0.91
NEW EXHF23- 8-15□□	232	78.5	153	215	59.85	147	1.47
NEW EXHF23- 8-21□□	232	78.5	213	215	59.85	207	1.2
NEW EXHF23- 8-27□□	232	78.5	273	215	59.85	267	1.03
NEW EXHF23- 8-33□□	232	78.5	333	215	59.85	327	0.91
NEW EXHF23-10-15□□	232	103.5	153	215	84.85	147	1.47
NEW EXHF23-10-21□□	232	103.5	213	215	84.85	207	1.2
NEW EXHF23-10-27□□	232	103.5	273	215	84.85	267	1.03
NEW EXHF23-10-33□□	232	103.5	333	215	84.85	327	0.91

Grooves for M3 sliding nut are found on the heat-sink top cover and bottom frame (140mm or wider).

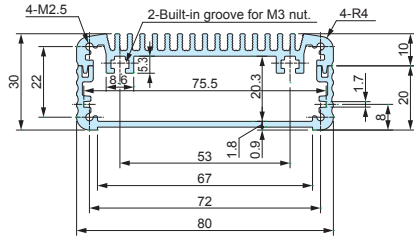
Flange bracket is installed as per the diagram below.



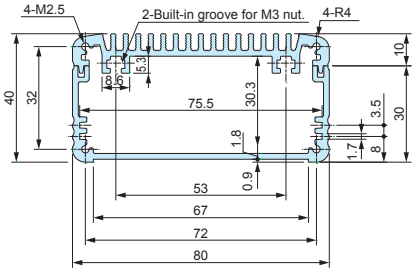
EXH • EXHF heat-sink top cover / bottom frame

■ Drawings below are reference examples only.
DXF/DWG/PDF drawings available on our website.

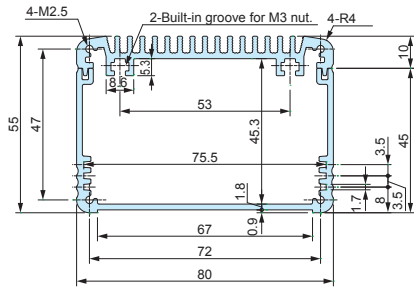
EXH8-3-□



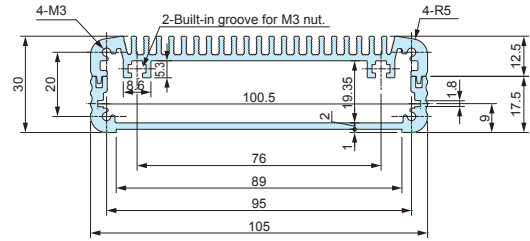
EXH8-4-□



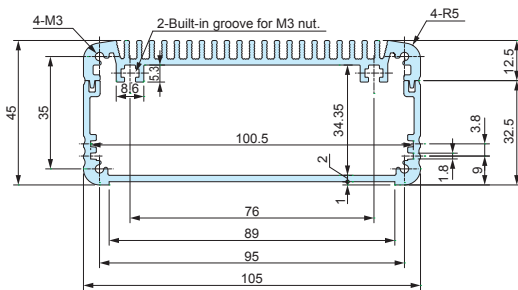
EXH8-6-□



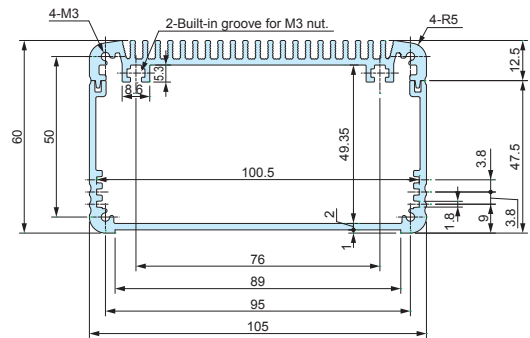
EXH11-3-□



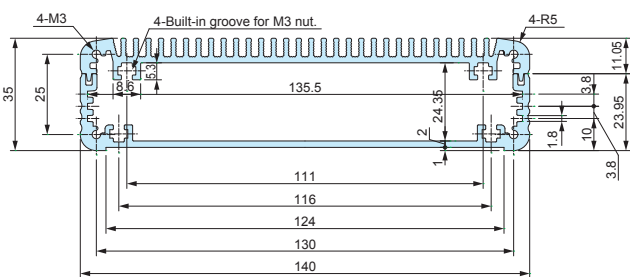
EXH11-5-□



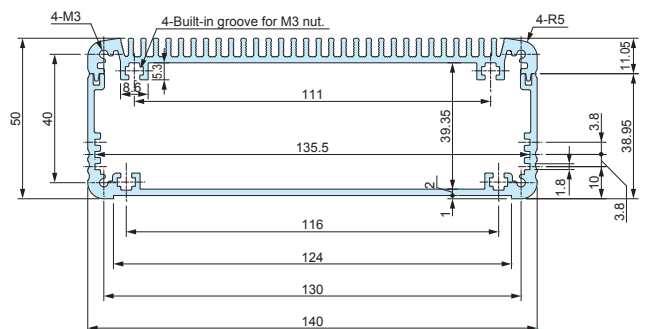
EXH11-6-□



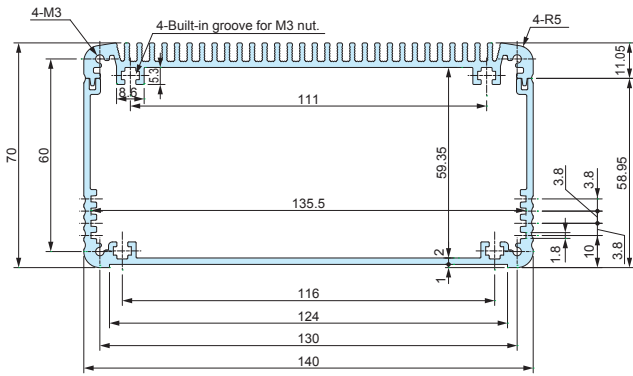
EXH14-4-□



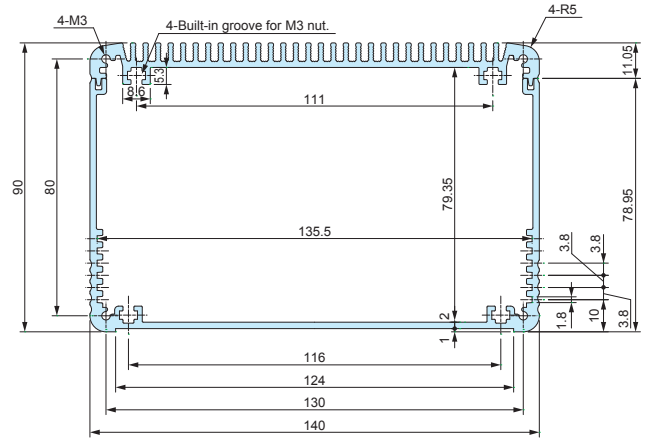
EXH14-5-□



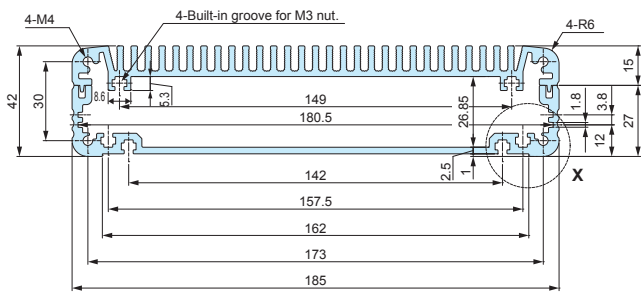
EXH14-7-□



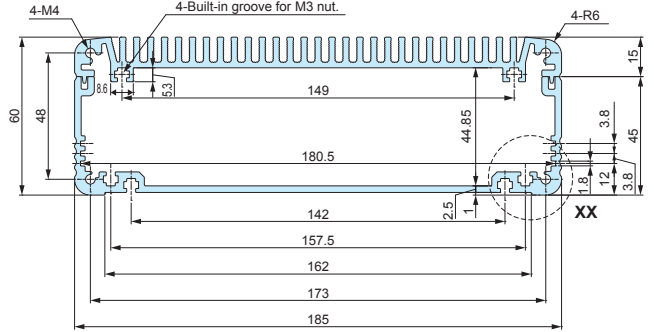
EXH14-9-□



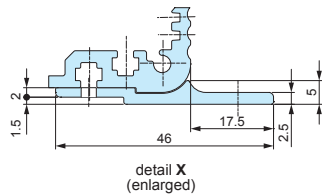
EXH • EXHF19-4-□



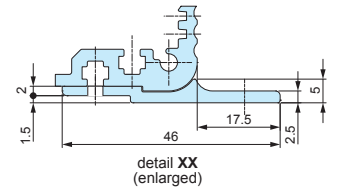
EXH • EXHF19-6-□



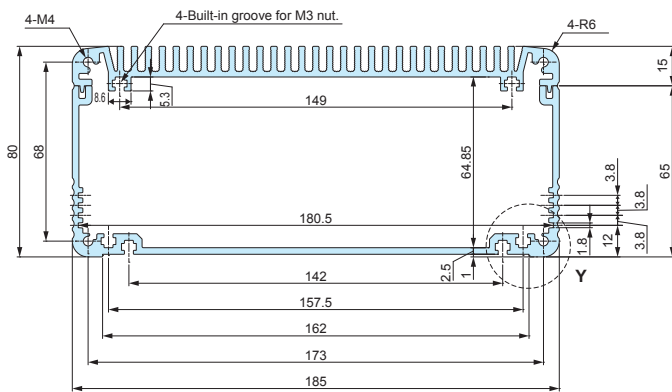
Flange bracket dimensions for EXHF series.



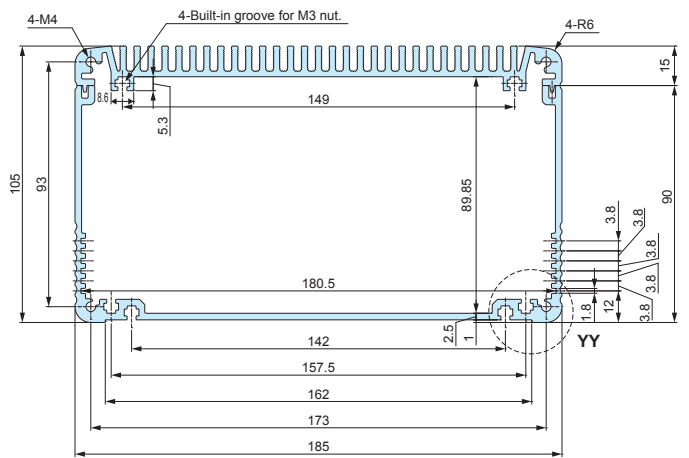
Flange bracket dimensions for EXHF series.



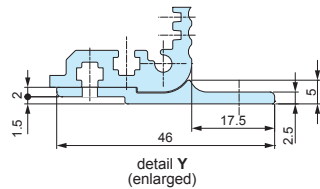
EXH • EXHF19-8-□



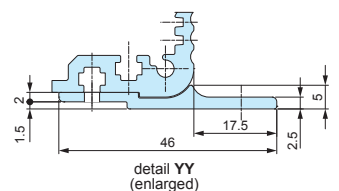
EXH • EXHF19-11-□



Flange bracket dimensions for EXHF series.



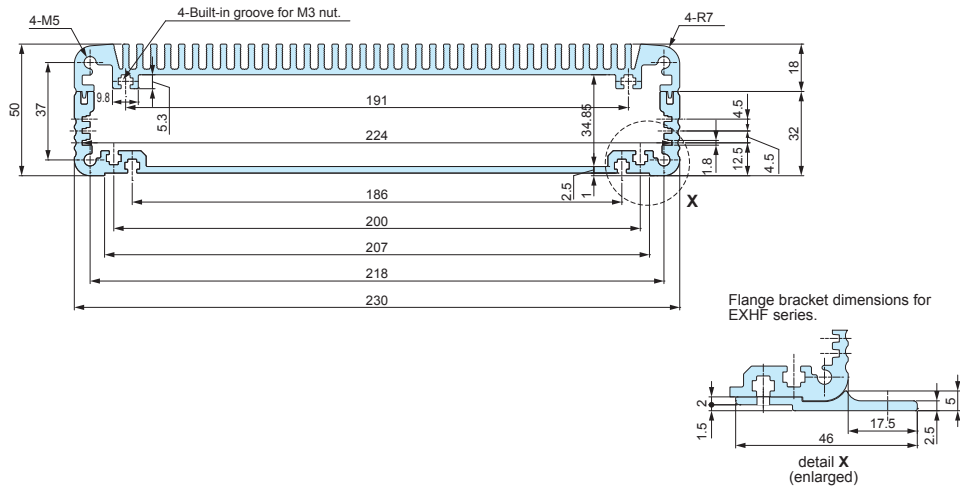
Flange bracket dimensions for EXHF series.



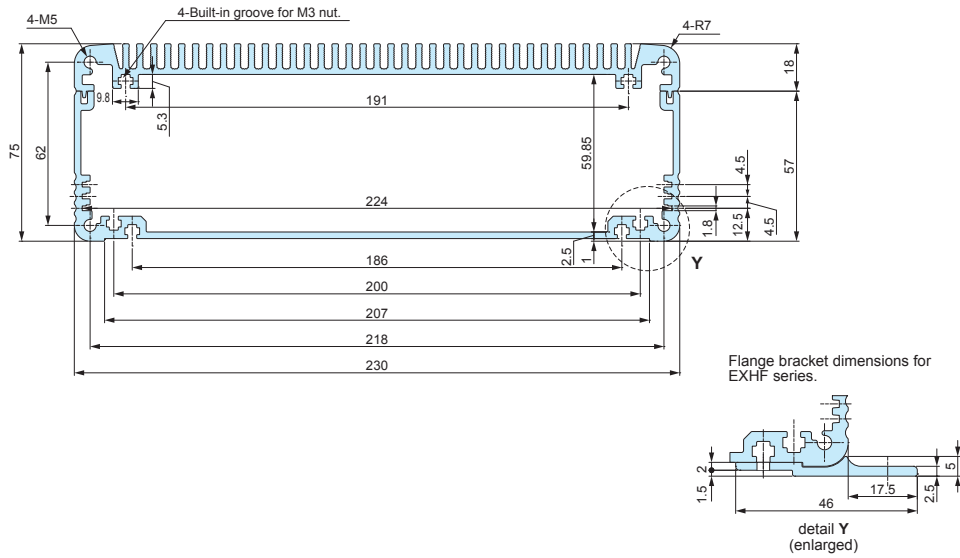
EXH • EXHF heat-sink top cover / bottom frame

■ Drawings below are reference examples only.
DXF/DWG/PDF drawings available on our website.

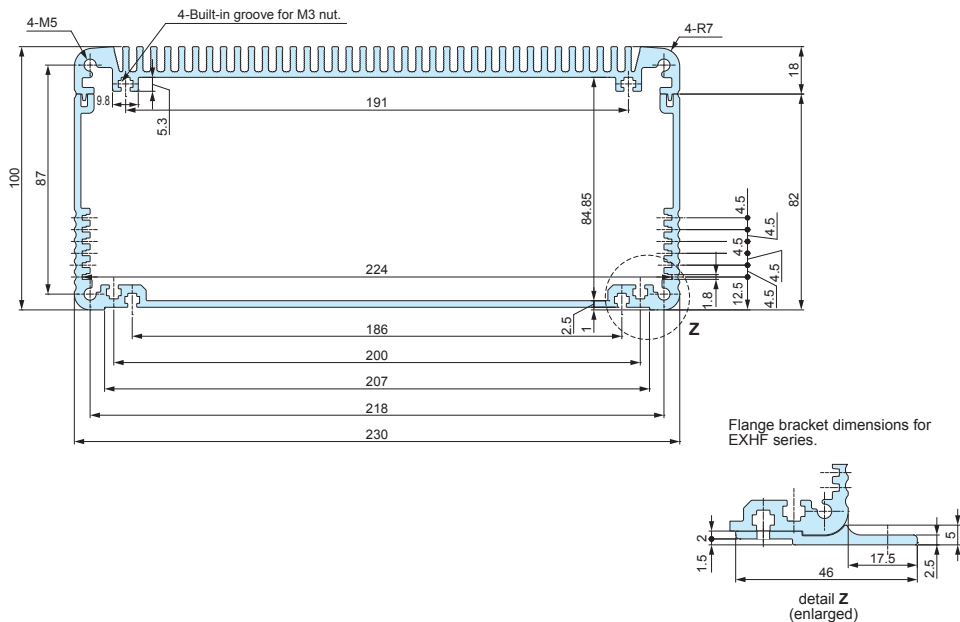
EXH • EXHF23-5-□



EXH • EXHF23-8-□



EXH • EXHF23-10-□



EF SERIES

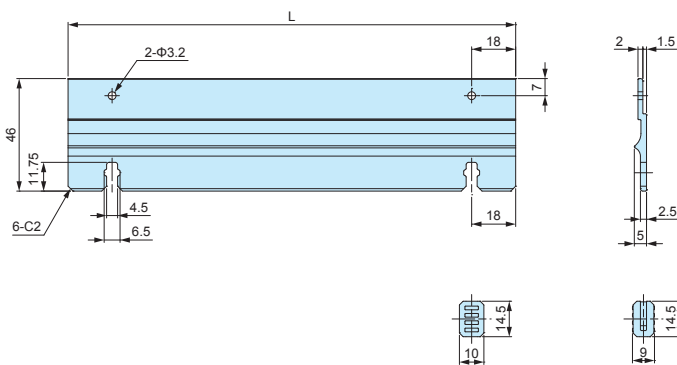
WALL MOUNTING BRACKET for EX • EXH



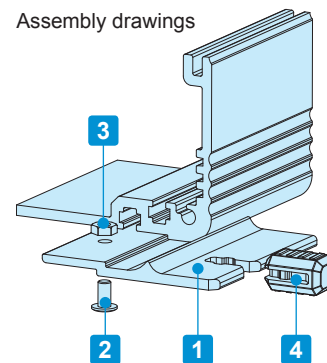
APPLICATION EXAMPLE



- Wall mounting bracket for EX • EXH series. Applicable only for width 185 and 225mm bottom covers.
- Easy installation by inserting the nuts into built-in grooves on EX • EXH bottom cover.
- Rubber feet are included to mask the mounting cutouts when not used for wall mounting.



Assembly drawings



Components

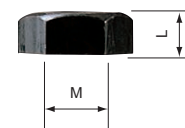
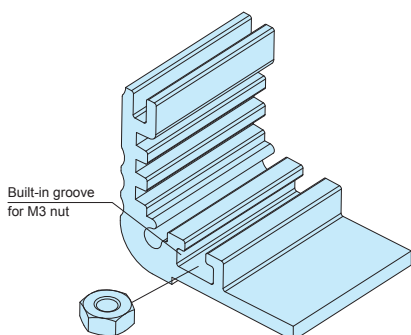
No.	Part name	Pcs	Material	Color / Finish
1	Bracket	2	Extruded aluminium A6063S-T5	Silver • Black / Anodized
2	Screw	4	Steel M3-6	Black trivalent chromate
3	Nut	4	Steel	Black trivalent chromate
4	Rubber feet	4	Silicone	Black

Product no. / Dimensions

Product no.		L	Suitable enclosure
● Silver	● Black		
NEW EF19-13S	NEW EF19-13B	119.5	EX • EXH19-○-13□□
NEW EF19-18S	NEW EF19-18B	171.5	EX • EXH19-○-18□□
NEW EF19-23S	NEW EF19-23B	224.5	EX • EXH19-○-23□□
NEW EF19-29S	NEW EF19-29B	279.5	EX • EXH19-○-29□□
NEW EF23-15S	NEW EF23-15B	146.5	EX • EXH23-○-15□□
NEW EF23-21S	NEW EF23-21B	206.5	EX • EXH23-○-21□□
NEW EF23-27S	NEW EF23-27B	266.5	EX • EXH23-○-27□□
NEW EF23-33S	NEW EF23-33B	326.5	EX • EXH23-○-33□□

MT-3N

SLIDING NUT for EXH • EXHF



Product no. / Dimensions

Product no.	M	L	Material	Finish	Pack of
MT-3N	3	2.4	Steel	Black trivalent chromate	50

- Sliding nut can be used on all EXH • EXHF heat-sink top covers, as well as with width 140mm or larger bottom covers.