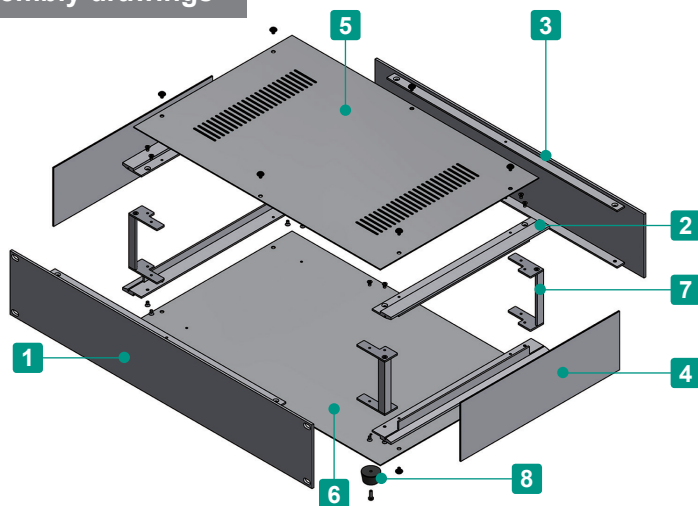


ER SERIES

EIA RACK MOUNT ENCLOSURE



Assembly drawings



- Available in 35 different size combinations.
- Flat panels allows a wide range of customization to be performed easily, such as milling, inkjet printing, engraving and so on.
- 2 different color types available - Silver and Black.

Components

■ Refer to page AC-1 for AC series mounting plate

No.	Part name	Pcs	Material	Color / Finish
1	Panel	1	Extruded aluminium A6063S-T5	Silver • Black / Hairline brushed & Anodized
2	Frame	4	Extruded aluminium A6063S-T5	Silver • Black / Hairline brushed & Anodized
3	Rear panel	1	Extruded aluminium A6063S-T5	Silver • Black / Hairline brushed & Anodized
4	Side plate	2	Aluminium A1050P t = 1.5	Silver • Black / Hairline brushed & Anodized
5	Top cover	1	Steel SPCC t = 1.0	Black / Painted (leather tone)
6	Bottom cover	1	Steel SPCC t = 1.0	Black / Painted
7	Support bracket	4	Steel SPCC t = 2.0 • Extruded aluminium A6063S-T5	Trivalent chromate • Anodized
8	Rubber feet	4	Synthetic rubber	Black

■ Note: Side plates are covered with a protective film on one side. Remove before assembly.

APPLICATION EXAMPLE

PULSE SIGNAL DISTRIBUTOR



Product by FREQTIME (Japan)

Rear panel



TIME-FREQUENCY REMOTE CALIBRATION DEVICE

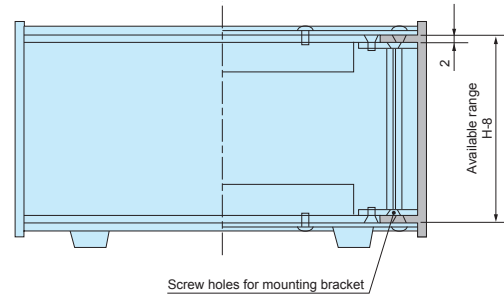
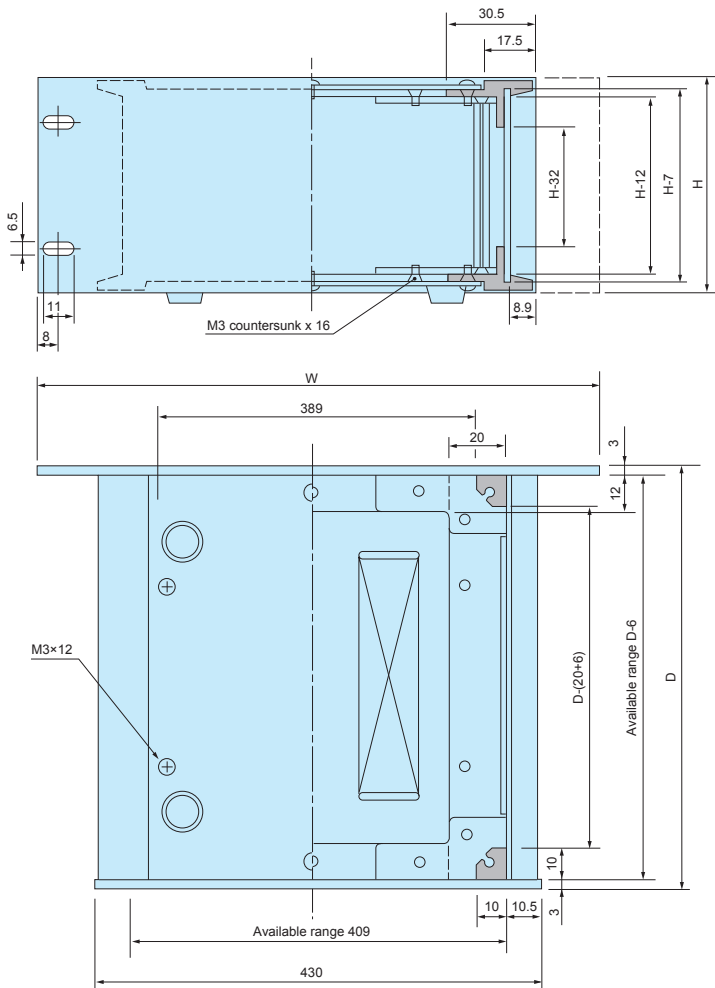


Rear panel



ER dimensions

DXF/DWG/PDF drawings available on our website.



Available internal height is H - 29 when assembling AC mounting plate.

Included screws
 M3-5 countersunk • Trivalent chromate x 17 pcs
 M3-5 Binding head • Black trivalent chromate x 13 pcs
 M3-10 Pan head • Trivalent chromate x 4 pcs

Color type

Please suffix color code at the end of the product number.

Code	Panel	Rear panel	Frame	Side plate	Top • Bottom cover
S	Silver	Silver	Silver	Silver	Black
B	Black	Black	Black	Black	Black

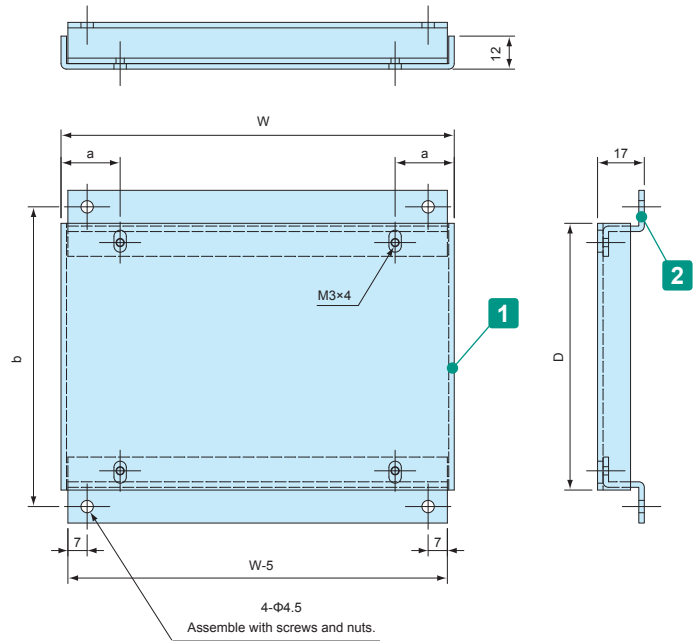
Product no. / Dimensions

Product no.	W	H	D	Weight (kg)	Product no.	W	H	D	Weight (kg)
ER 44-16	44	482.6	160	1.7	ER133-37	132.5	482.6	370	4.2
44-20	44	482.6	200	2.0	133-43	132.5	482.6	430	4.7
44-26	44	482.6	260	2.5	133-50	132.5	482.6	500	5.3
44-32	44	482.6	320	2.9	ER177-16	177	482.6	160	2.8
44-37	44	482.6	370	3.2	177-20	177	482.6	200	3.3
44-43	44	482.6	430	3.7	177-26	177	482.6	260	3.8
44-50	44	482.6	500	4.2	177-32	177	482.6	320	4.4
ER 88-16	88	482.6	160	2.1	177-37	177	482.6	370	4.8
88-20	88	482.6	200	2.5	177-43	177	482.6	430	5.3
88-26	88	482.6	260	2.9	177-50	177	482.6	500	5.9
88-32	88	482.6	320	3.4	ER222-16	221.5	482.6	160	3.4
88-37	88	482.6	370	3.7	222-20	221.5	482.6	200	3.8
88-43	88	482.6	430	4.2	222-26	221.5	482.6	260	4.3
88-50	88	482.6	500	4.8	222-32	221.5	482.6	320	4.8
ER133-16	132.5	482.6	160	2.5	222-37	221.5	482.6	370	5.3
133-20	132.5	482.6	200	2.9	222-43	221.5	482.6	430	5.8
133-26	132.5	482.6	260	3.3	222-50	221.5	482.6	500	6.5
133-32	132.5	482.6	320	3.8					

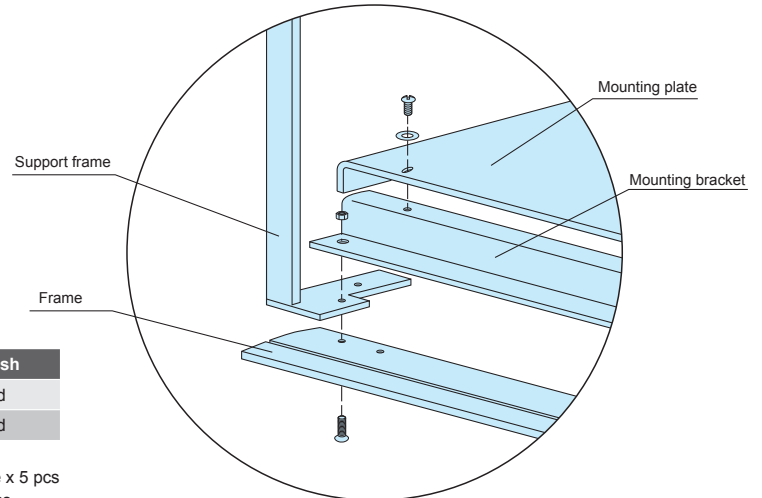
AC SERIES

MOUNTING PLATE for ER • ERH

DXF/DWG/PDF drawings available on our website.



Assembly drawings



Components

No.	Part name	Pcs	Material	Color / Finish
1	Mounting plate	1	Aluminium A1050P t=2.0	Unfinished
2	Mounting bracket	2	Aluminium A1050P t=2.0	Unfinished

Included screws
 M3-10 countersunk • Trivalent Chromate x 5 pcs
 M3-6 Binding head • Nickel plated x 5 pcs
 M3 washer • Nickel plated x 5 pcs
 M3 nut • Trivalent Chromate x 5 pcs

Product no. / Dimensions

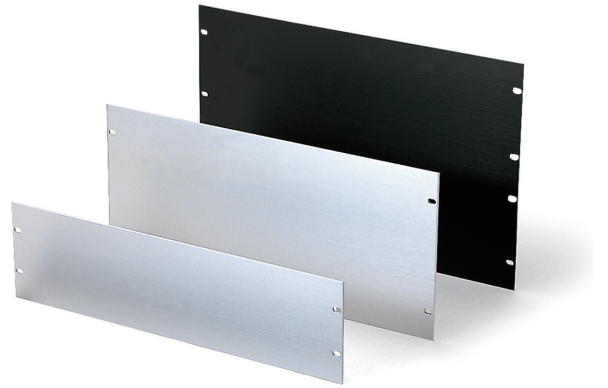
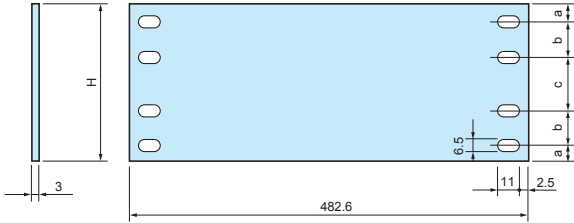
Product no.	W	D	a	b	Suitable enclosure	Weight (g)
AC16-43	143	367	21.5	379	ER□□-16 / ERH□□-16	370
AC20-43	183	367	24.5	379	ER□□-20 / ERH□□-20	460
AC26-43	243	367	31.5	379	ER□□-26 / ERH□□-26	610
AC32-43	303	367	39.5	379	ER□□-32 / ERH□□-32	740
AC37-43	353	367	46.5	379	ER□□-37 / ERH□□-37	860
AC43-43	413	367	54.5	379	ER□□-43 / ERH□□-43	990
AC50-43	483	367	64.5	379	ER□□-50 / ERH□□-50	1,160

AP SERIES

EIA ALUMINIUM RACK PANEL

■ Standard aluminium panel for 19 inch rack.

■ Drawings below are reference examples only.
DXF/DWG/PDF drawings available on our website.



Product no. / Dimensions

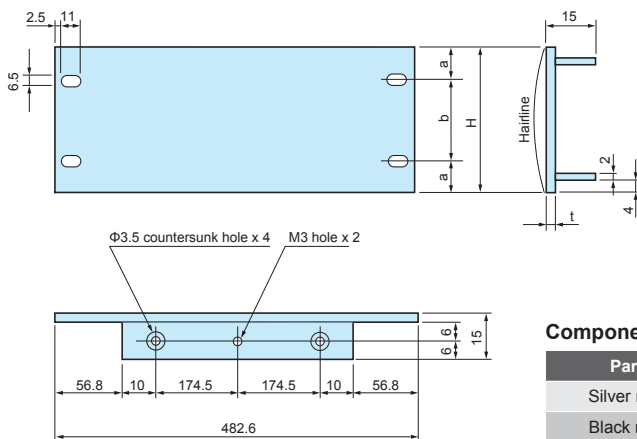
Product no.		H	a	b	c	Mounting hole (One side)	Material	Surface finish	Weight (kg)
● Silver	● Black								
AP- 44S	AP- 44B	44	6.1	—	31.8	2	Extruded aluminium A6063S-T5	Hairline brushed & Anodized	0.18
AP- 88S	AP- 88B	88	5.9	—	76.2	2	Extruded aluminium A6063S-T5	Hairline brushed & Anodized	0.33
AP-133S	AP-133B	132.5	37.7	—	57.1	2	Extruded aluminium A6063S-T5	Hairline brushed & Anodized	0.48
AP-177S	AP-177B	177	37.7	—	101.6	2	Extruded aluminium A6063S-T5	Hairline brushed & Anodized	0.7
AP-222S	AP-222B	221.5	37.75	—	146	2	Aluminium A1050P	Hairline brushed & Anodized	0.87
AP-266S	AP-266B	265.9	37.7	57.2	76.1	4	Aluminium A1050P	Hairline brushed & Anodized	1.06
AP-311S	AP-311B	310.4	37.7	88.9	57.2	4	Aluminium A1050P	Hairline brushed & Anodized	1.24
AP-355S	AP-355B	354.8	37.7	101.6	76.2	4	Aluminium A1050P	Hairline brushed & Anodized	1.42

EP SERIES

EIA EXTRUDED ALUMINIUM RACK PANEL

■ Extruded aluminium panel with reinforced rib for 19 inch rack.

■ Drawings below are reference examples only.
DXF/DWG/PDF drawings available on our website.



Components

Part name	Material	Surface finish
Silver rack panel	Extruded aluminium A6063S-T5	Hairline brushed & Anodized
Black rack panel	Extruded aluminium A6063S-T5	Hairline brushed & Anodized

Product no. / Dimensions

Product no.		H	a	b	t	Mounting hole (One side)	Weight (kg)
● Silver	● Black						
EP-3- 44S	EP-3- 44B	44	6.1	31.8	3.0	2	0.21
EP-3- 88S	EP-3- 88B	88	5.9	76.2	3.0	2	0.38
EP-3-133S	EP-3-133B	132.5	37.7	57.1	3.0	2	0.54
EP-3-177S	EP-3-177B	177	37.7	101.6	3.0	2	0.72
EP-3-222S	EP-3-222B	221.5	37.75	146	3.0	2	0.93



CUSTOMIZATION ON RACK PANEL

- CNC machining service is available from just 1 pc with a short lead time.
- Low-cost digital inkjet printing service is available for your customized front panel.
- Visit our website for more details.



- Anodizing and painting services are also available.

