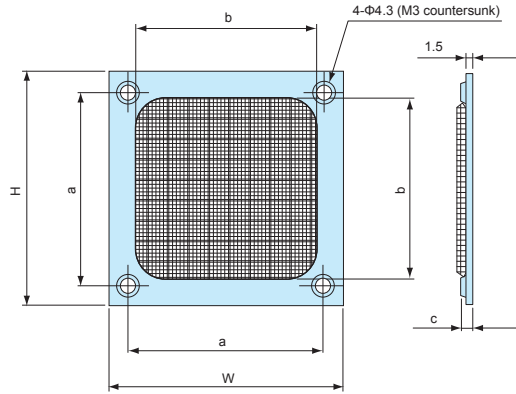
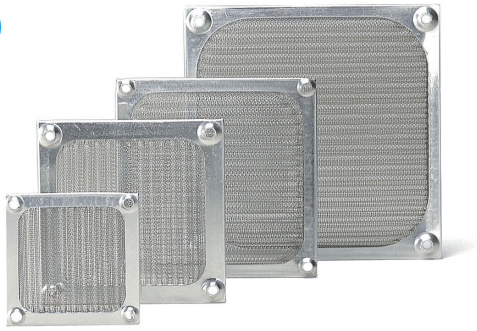


EMF SERIES

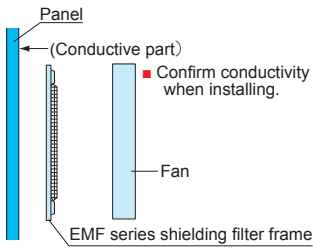
EMC SHIELDED FILTER FRAME



EMC
Shielding
Effects



- Use for EMC shielding on the hole for cooling fan.



Components

Frame material	Filter material	Mesh
Aluminium / Unfinished	Stainless steel	30

- Mesh 30 = 30 openings in a 1 square inch area (25.4 x 25.4mm).

Product no. / Dimensions

Product no.	W	H	a	b	c	Matching fan size (mm)
EMF- 60	59.5	59.5	50	46	3.5	60.0 x 60.0
EMF- 80	83.8	83.8	71.5	68.8	4	80.0 x 80.0
EMF- 90	92	92	82.5	78	3.5	92.0 x 92.0
EMF-120	119	119	104.8	104.5	3.7	120.0 x 120.0