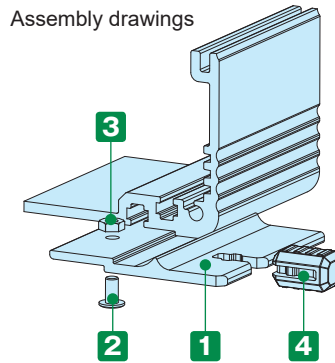
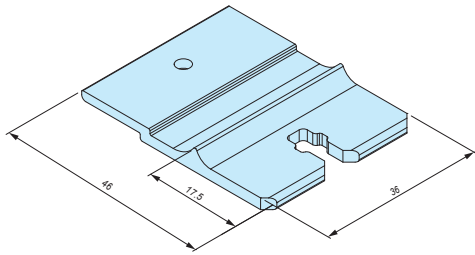


EF-36 SERIES WALL MOUNTING BRACKET for EXS • EXHS



Components

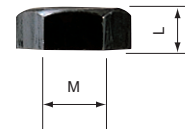
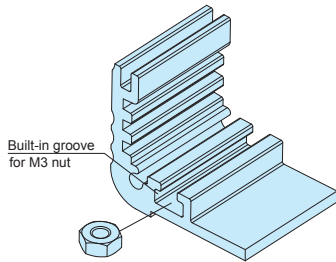
No.	Part name	Pcs	Material	Color / Finish
1	Bracket	4	Extruded aluminium A6063S-T5	Silver • Black / Anodized
2	Screw	4	Steel M3-6	Black trivalent chromate
3	Nut	4	Steel	Black trivalent chromate
4	Rubber feet	4	Silicone	Black

Product no.

Product no.	
● Silver	● Black
EF-36S	EF-36B

- Wall mounting bracket for EXS • EXHS series. Applicable only for width 185 and 225mm bottom covers.
- Easy installation by inserting the nuts into built-in grooves on EXS • EXHS bottom cover.
- Rubber feet are included to mask the mounting cutouts when not used for wall mounting.

MT-3N SLIDING NUT for EXS • EXHS



Product no. / Dimensions

Product no.	M	L	Material	Finish	Pack of
MT-3N	3	2.4	Steel	Black trivalent chromate	50

- Sliding nut can be used on all EXS • EXHS heat-sink top covers, as well as with width 140mm or larger bottom covers.