

CST SERIES

CR2032 BATTERY CONTACT



■ Material : SUS304 / Nickel plated

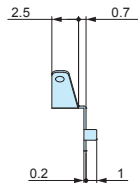
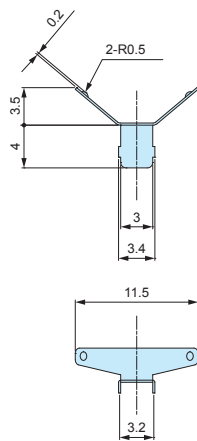
- Battery contact for CR2032 coin cell.
- "CR2032" and "⊖" indicators are engraved on the negative side.
- Use with enclosures that utilizes CR2032 coin cells.

Product no. / Feature

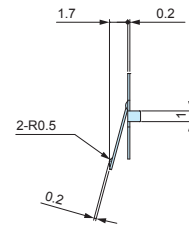
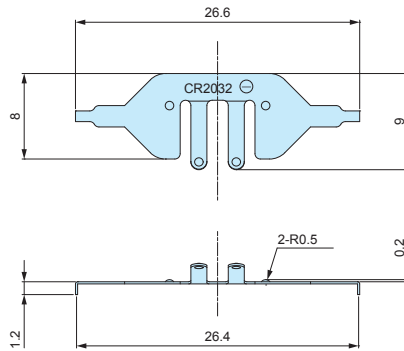
Product no.	Matching coin cell	Contact type	Weight (g)	Pack of
CST-2032P	CR2032	Through hole x 2	0.1	10
CST-2032M	CR2032	Through hole x 2	0.2	10

■ DXF/DWG/PDF drawings available on our website.

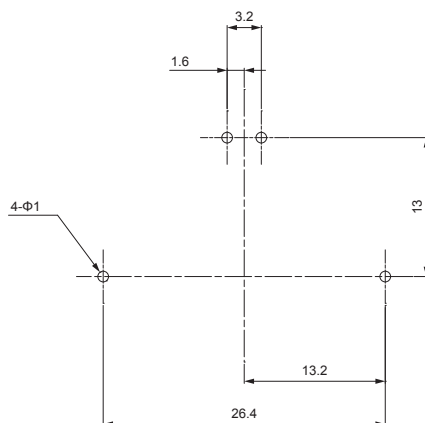
CST-2032P



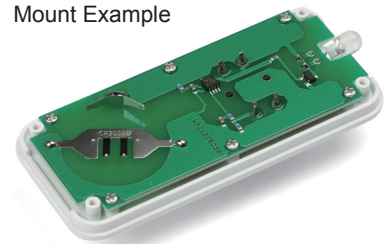
CST-2032M



Recommended PCB hole layout



Mount Example



■ Refer to the mount example for mounting direction of contacts.